

Installation, Operation and Maintenance Manual

Please read and save these instructions for future reference. Read carefully before attempting to assemble, install, operate or maintain the product described. Protect yourself and others by observing all safety information. Failure to comply with these instructions will result in voiding of the product warranty and may result in personal injury and/or property damage.

Table of Contents

Vektor Curb Assembly Kit	
Document 475588	2
Interior Section of Modular Roof Curb	
Document 1016011	4

Assembly Instructions

READ THROUGH THESE INSTRUCTIONS PRIOR TO STARTING ASSEMBLY.

Roof curbs are modular in construction and require field assembly.

Roof Curb Assembly Kit

Each roof curb will arrive in sections along with an assembly kit for field installation. Verify all roof curb sections and assembly kit(s) have arrived for each fan mark and are in good condition prior to signing the shipping receipt.

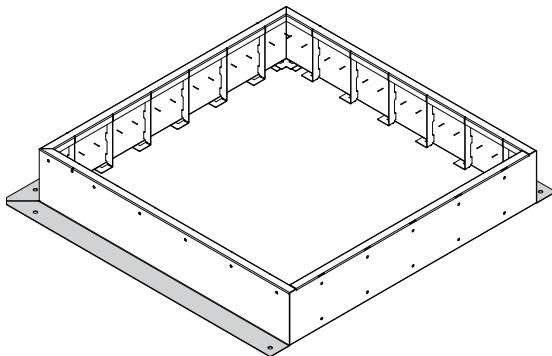
ROOF CURB ASSEMBLY KIT	
Fan Size	Kit Number
15 - 33	879433
36 - 54	879434

ASSEMBLY KIT CONTENTS	
Part Name	Part Description
Hex Head Cap Screw	316 SS, 3/8 x 1-1/4 inch
Hex Nut	316 SS, 3/8 inch
Flat Washer	316 SS, 3/8 inch
Lock Washer	316 SS, 3/8 inch
Gasketing	1/4 x 1-1/2 inch Foam
Caulk*	Silicone

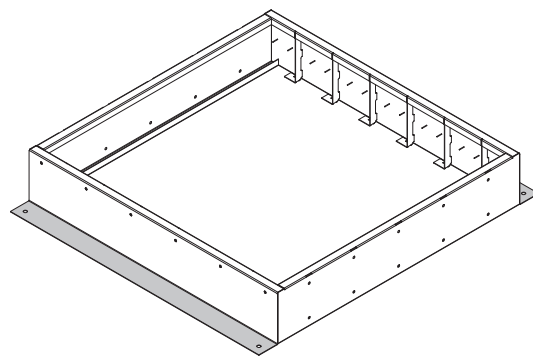
*One tube of caulk is supplied per **system**.

ROOF CURB SECTIONS			
Fan Quantity	End Section(s)	Center Section(s)	Quantity of Roof Curb Assembly Kit(s)
2	2	0	1
3	2	1	2
4	2	2	3
5	2	3	4
6	2	4	5

TOOLS REQUIRED
<ul style="list-style-type: none"> • Utility knife • Caulk gun • Box end wrench with 9/16 inch socket for 3/8 inch bolt with 9/16 inch head



End Section
Flashing on three sides

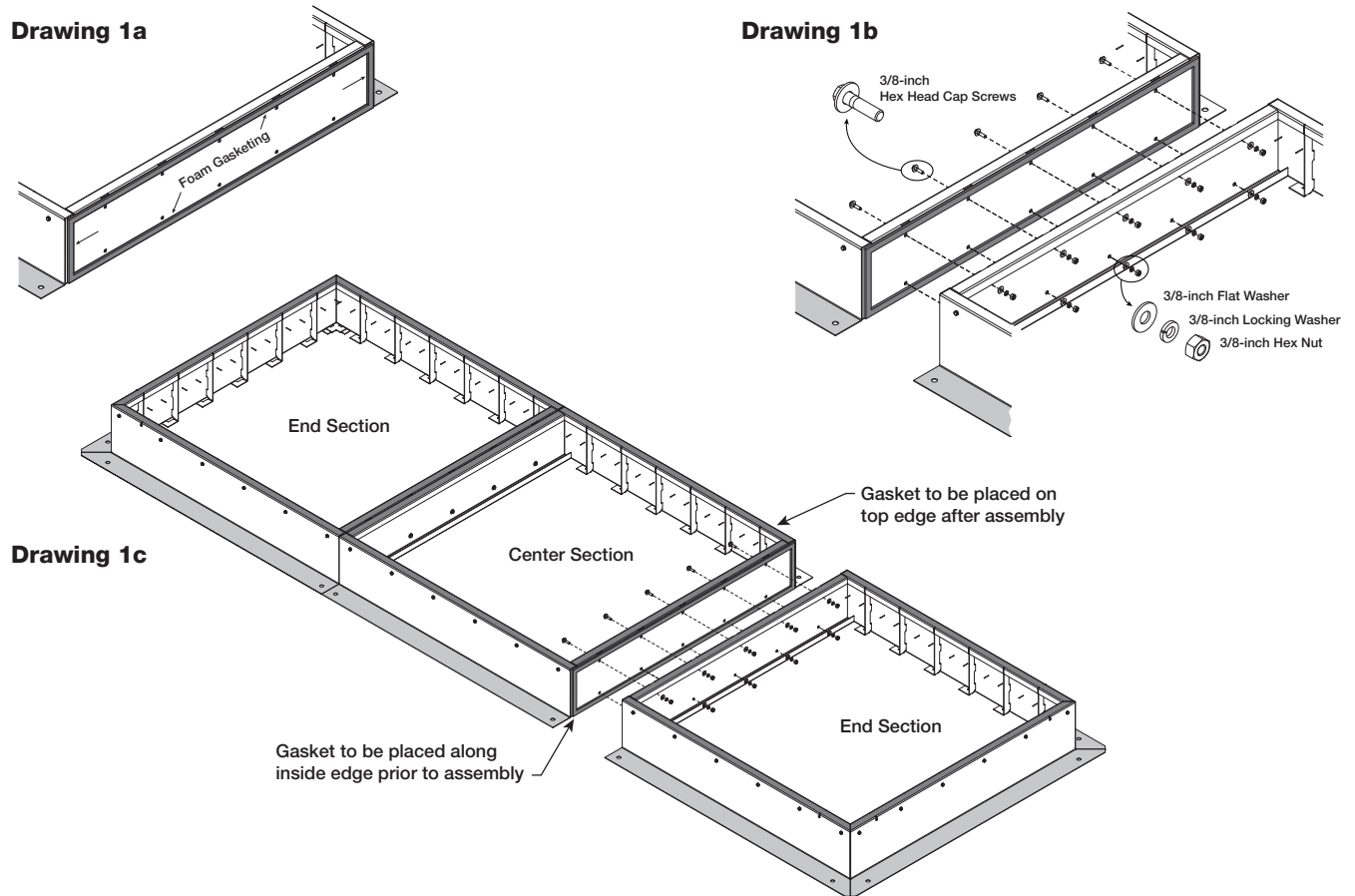


Center Section
Flashing on two sides

Assembly

Use one Roof Curb Assembly Kit with gasketing and hardware for each section to be joined. Attach self-adhering foam gasketing (supplied) to one side of either joining section (see Drawing 1a). Gasketing should be placed to form a continuous seal. Corner locations may need second strip to cover seam joints. Supplied hardware should then be used to secure the two sections together as shown (see Drawing 1b). Hold nut with wrench while bolt is tightened.

Drawing 1c shows two end panels and single center section. All sections and configurations are assembled in a similar manor.



Sealing

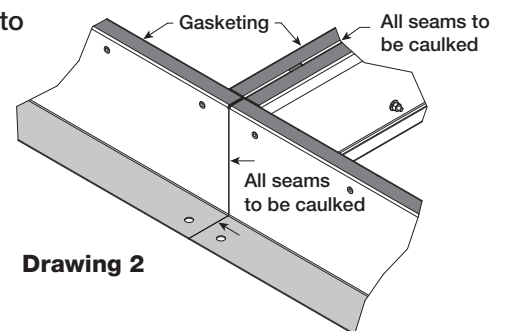
After all sections have been assembled, caulk (supplied) all seam joints to provide final sealing of roof curb sections. Drawing 2 shows seams to be caulked. Follow caulk manufacturers recommendations for proper application.

Lifting

Roof curb can be assembled at installation location on the roof deck or at ground level and lifted into position. To lift from ground to roof deck, use spreader bar and support both end and center sections when lifting assembled curb.

Mounting

Attach curb to roof deck or support structure as specified by structural engineer.



Assembly Instructions

READ THROUGH THESE INSTRUCTIONS PRIOR TO STARTING ASSEMBLY.

Document Instructions

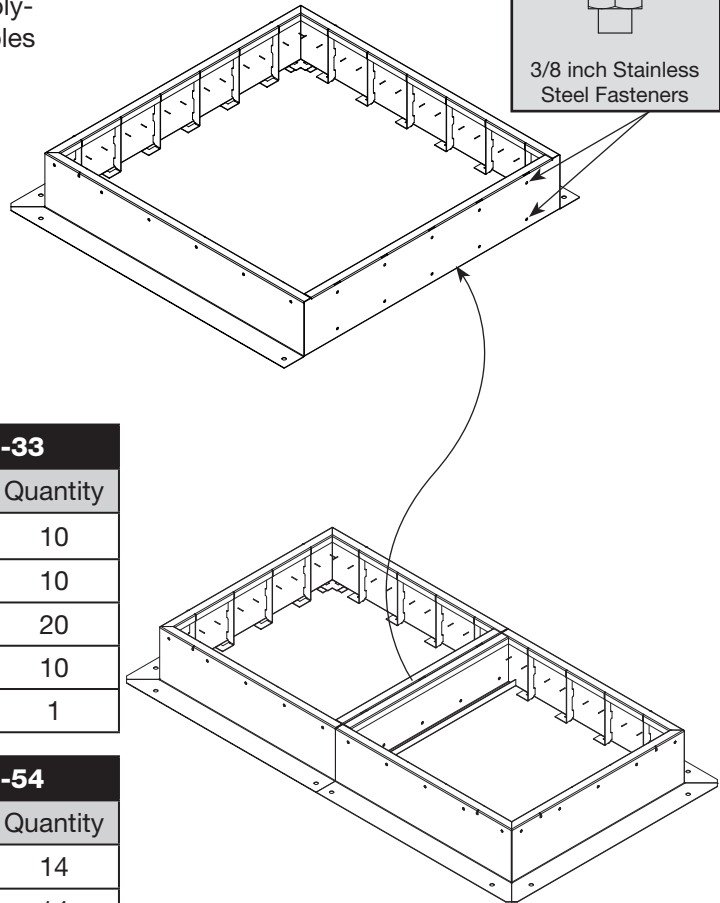
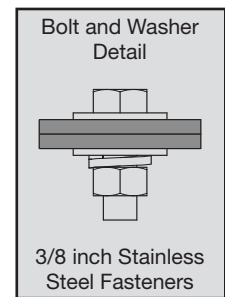
Use Document #1016011 with fastener kits 879433 and 879434. These kits are to be used with the Vektor-M series. The fasteners contained within the kit are to be used to join the interior sections of a modular roof curb. Use the images located within this document to locate the position of the fasteners on the unit.

Assembly Instructions

1. See Greenheck Document #464652 (Installation, Operation and Maintenance Manual: Vektor-MD, Vektor-MH and Vektor-MS) for full installation instructions.
2. The fastener kit includes fasteners for one interior section connection. If the fan array includes multiple interior section connections, multiple fastener kits will be supplied.
3. See image to the right to locate bolt holes. Install moly-coated 316 stainless steel screws (provided) in all holes in roof curb interior.

Tools Required

- Cordless drill (electric or pneumatic)
- 9/16 inch nut setter
- 9/16 inch wrench



FASTENER KIT 879433 – VEKTOR-M SIZE 15-33

Part Description	Part #	Quantity
CS,HH,.375-16X1.25,SS,316,MOLY	415780	10
NUT,HEX,.375-16,SS,316	415799	10
WSHR,FLAT,.05X.406X.875,SS,316	415800	20
WSHR,LOCK,SPLIT,.375,SS,316	415810	10
Assembly Instructions	1016011	1

FASTENER KIT 879434 – VEKTOR-M SIZE 36-54

Part Description	Part #	Quantity
CS,HH,.375-16X1.25,SS,316,MOLY	415780	14
NUT,HEX,.375-16,SS,316	415799	14
WSHR,FLAT,.05X.406X.875,SS,316	415800	28
WSHR,LOCK,SPLIT,.375,SS,316	415810	14
Assembly Instructions	1016011	1