

Installation, Operation and Maintenance Manual

Please read and save these instructions for future reference. Read carefully before attempting to assemble, install, operate or maintain the product described. Protect yourself and others by observing all safety information. Failure to comply with these instructions will result in voiding of the product warranty and may result in personal injury and/or property damage.

Table of Contents

Fan to Bypass Air Plenum Document 1016005	2
Nozzle to Stack - Stack to Fan Document 1016007	3
Inline Silencer Document 1016009	4
Fan Assembly to Roof Curb Document 1016010	5

Assembly Instructions

READ THROUGH THESE INSTRUCTIONS PRIOR TO STARTING ASSEMBLY.

Document Instructions

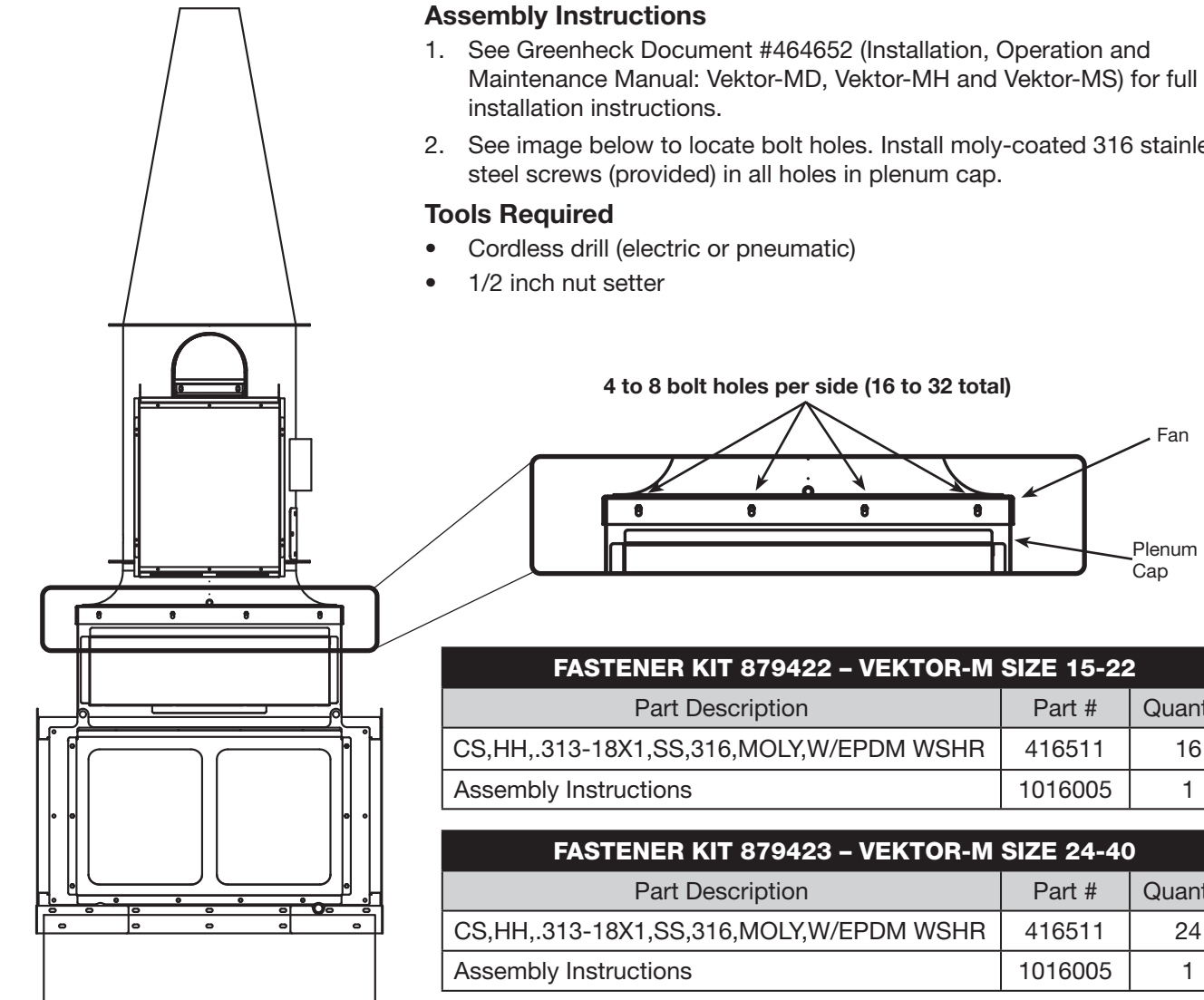
Use Document #1016005 with fastener kits 879422, 879423 and 879424. These kits are to be used with the Vektor-M series. The fasteners contained within the kit are to be used to attach the fan to the bypass air plenum (BAP). Use the images located within this document to locate the position of the fasteners on the unit.

Assembly Instructions

1. See Greenheck Document #464652 (Installation, Operation and Maintenance Manual: Vektor-MD, Vektor-MH and Vektor-MS) for full installation instructions.
2. See image below to locate bolt holes. Install moly-coated 316 stainless steel screws (provided) in all holes in plenum cap.

Tools Required

- Cordless drill (electric or pneumatic)
- 1/2 inch nut setter



FASTENER KIT 879422 – VEKTOR-M SIZE 15-22

Part Description	Part #	Quantity
CS,HH,,313-18X1,SS,316,MOLY,W/EPDM WSHR	416511	16
Assembly Instructions	1016005	1

FASTENER KIT 879423 – VEKTOR-M SIZE 24-40

Part Description	Part #	Quantity
CS,HH,,313-18X1,SS,316,MOLY,W/EPDM WSHR	416511	24
Assembly Instructions	1016005	1

FASTENER KIT 879424 – VEKTOR-M SIZE 44-54

Part Description	Part #	Quantity
CS,HH,,313-18X1,SS,316,MOLY,W/EPDM WSHR	416511	32
Assembly Instructions	1016005	1

Assembly Instructions

READ THROUGH THESE INSTRUCTIONS PRIOR TO STARTING ASSEMBLY.

Document Instructions

Use Document #1016007 with fastener kits 879427 and 879428. These kits are to be used with the Vektor-M series. The fasteners contained within the kit are to be used to attach the nozzle to the fan body, the nozzle to a stack extension, a stack extension to another stack extension, or a stack extension to the fan body. Use the images located within this document to locate the position of the fasteners on the unit.

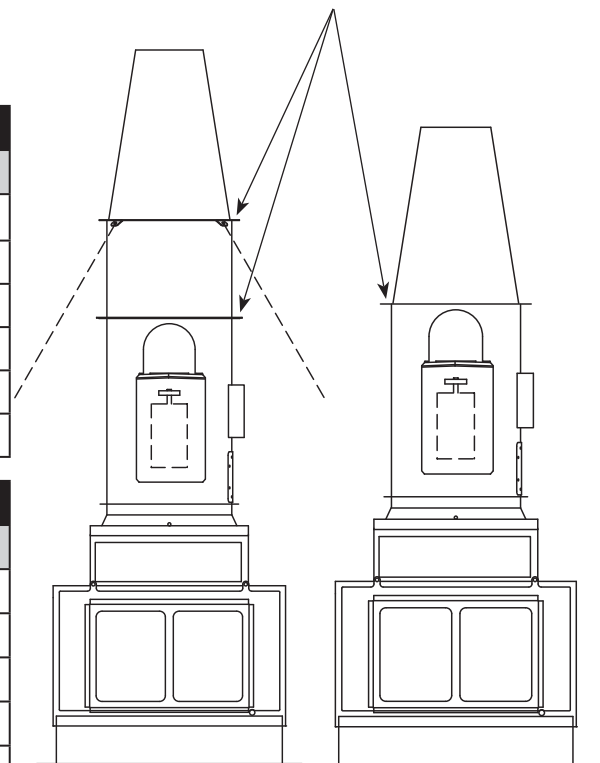
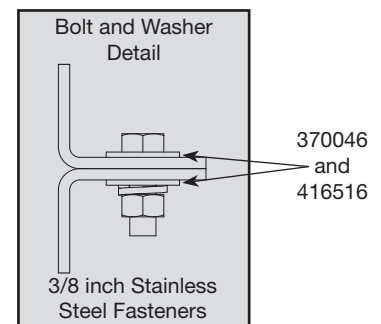
NOTE: See Document #1016006 for the attachment of the Vektor-MD windband to the nozzle.

Assembly Instructions

1. See Greenheck Document #464652 (Installation, Operation and Maintenance Manual: Vektor-MD, Vektor-MH and Vektor-MS) for full installation instructions.
2. Supplied gasketing material is placed between all mating sections.
3. The fastener kit includes fasteners for one flange. If the fan includes stack extensions, multiple fastener kits will be supplied for each flange.
4. See image to the right to locate bolt holes. Install moly-coated 316 stainless steel screws (provided) in all holes in plenum cap.

Tools Required

- Cordless drill (electric or pneumatic)
- 9/16 inch nut setter
- 9/16 inch wrench



FASTENER KIT 879427 – VEKTOR-M SIZE 15-27

Part Description	Part #	Quantity
CS,HH,.375-16X1.5,SS,316,MOLY	415781	8
NUT,HEX,.375-16,SS,316	415799	8
WSHR,LOCK,SPLIT,.375,SS,316	415810	8
WSHR,FLAT,.0625X.375X1.25,NEOP	370046	16
WSHR,FLAT,.375X.079X.406X1.5,SS,18-8	416516	16
Assembly Instructions	1016007	1

FASTENER KIT 879428 – VEKTOR-M SIZE 30-54

Part Description	Part #	Quantity
CS,HH,.375-16X1.5,SS,316,MOLY	415781	16
NUT,HEX,.375-16,SS,316	415799	16
WSHR,LOCK,SPLIT,.375,SS,316	415810	16
WSHR,FLAT,.0625X.375X1.25,NEOP	370046	32
WSHR,FLAT,.375X.079X.406X1.5,SS,18-8	416516	32
Assembly Instructions	1016007	1

Assembly Instructions

READ THROUGH THESE INSTRUCTIONS PRIOR TO STARTING ASSEMBLY.

Document Instructions

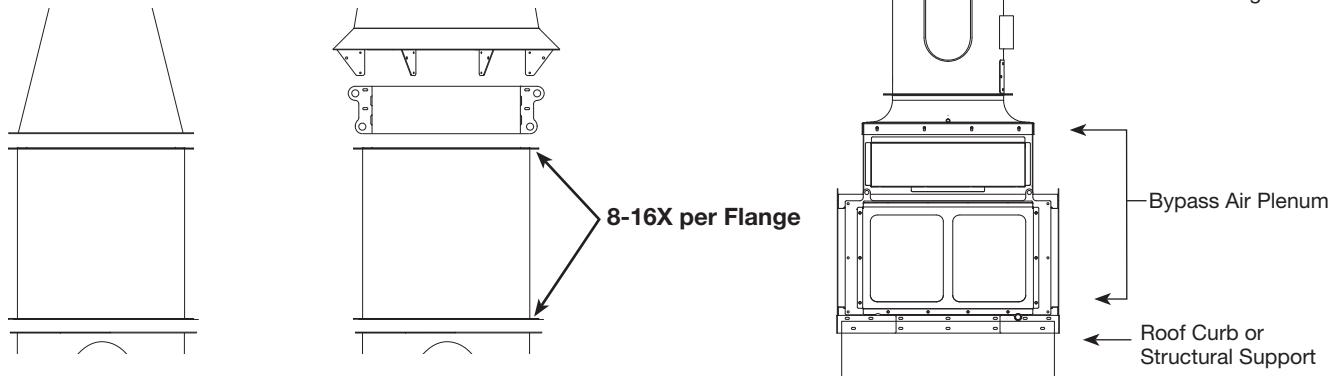
Use Document #1016009 with fastener kits 879430 and 879431. These kits are to be used with the Vektor-MD model. The fasteners contained within the kit are to be used to attach the silencer to the Vektor-MD dilution style nozzle, a silencer to the blower housing, or a silencer to a stack extension. Systems supplied with inline discharge silencers always have the nozzle section ship separate. The silencer is installed between the fan housing and nozzle. Use the images located within this document to locate the position of the fasteners on the unit.

Assembly Instructions

1. See Greenheck Document #464652 (Installation, Operation and Maintenance Manual: Vektor-MD, Vektor-MH and Vektor-MS) for full installation instructions.
2. The fastener kit includes fasteners for one flange. If the fan includes stack extensions, multiple fastener kits will be supplied for each flange.
3. See image below to locate bolt holes. Install moly-coated 316 stainless steel screws (provided).

Tools Required

- Cordless drill (electric or pneumatic)
- 1/2 inch nut setter



FASTENER KIT 879430 – VEKTOR-M SIZE 15-27

Part Description	Part #	Quantity
CS,HH,.313-18X1,SS,316,MOLY,W/EPDM WSHR	416511	8
Assembly Instructions	1016009	1

FASTENER KIT 879431 – VEKTOR-M SIZE 30-54

Part Description	Part #	Quantity
CS,HH,.313-18X1,SS,316,MOLY,W/EPDM WSHR	416511	16
Assembly Instructions	1016009	1

Assembly Instructions

READ THROUGH THESE INSTRUCTIONS PRIOR TO STARTING ASSEMBLY.

Document Instructions

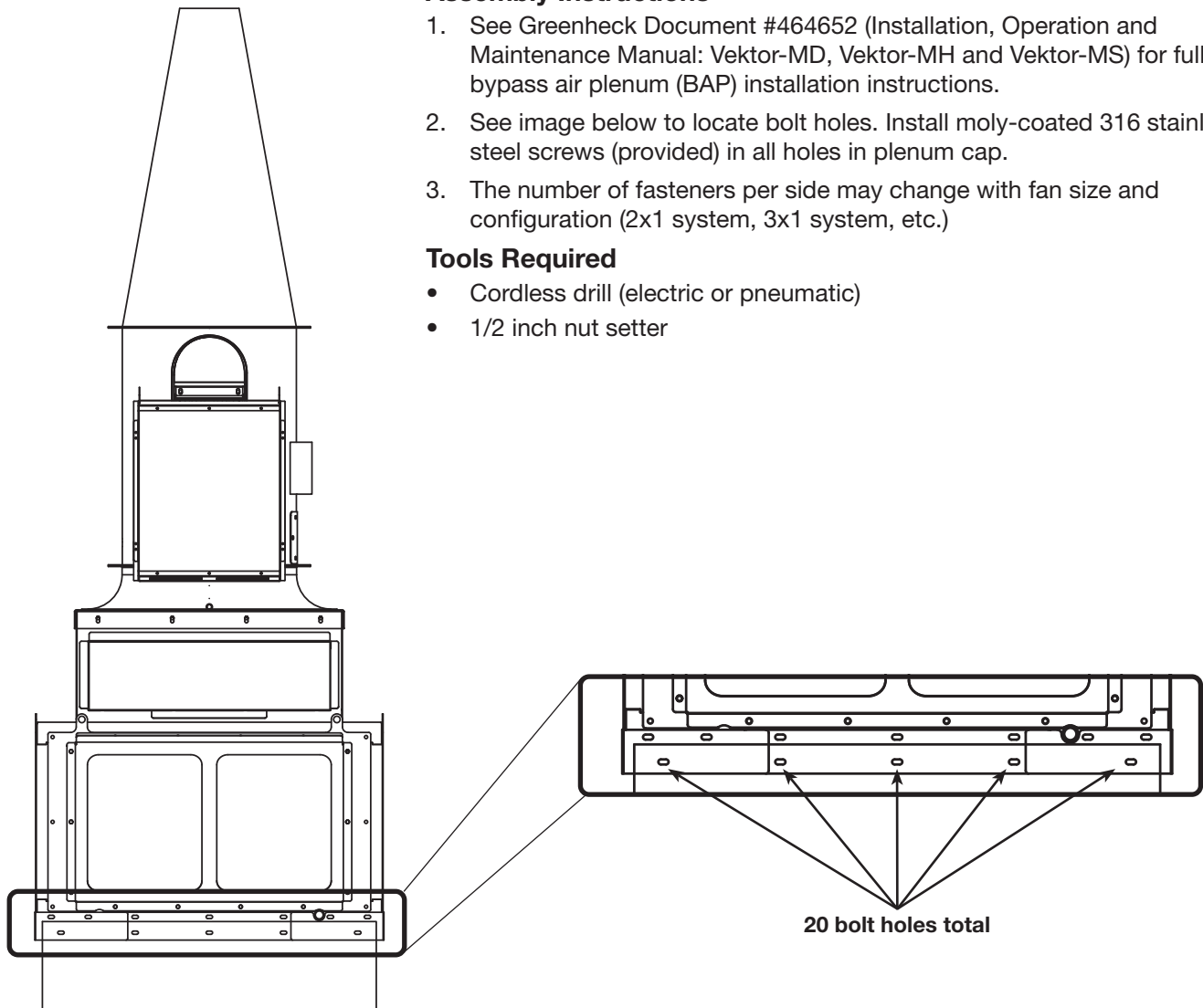
Use Document #1016010 with fastener kit 879432. This kit is to be used with the Vektor-M series. The fasteners contained within the kit are to be used to attach the fan assembly to the roof curb. Use the images located within this document to locate the position of the fasteners on the unit.

Assembly Instructions

1. See Greenheck Document #464652 (Installation, Operation and Maintenance Manual: Vektor-MD, Vektor-MH and Vektor-MS) for full bypass air plenum (BAP) installation instructions.
2. See image below to locate bolt holes. Install moly-coated 316 stainless steel screws (provided) in all holes in plenum cap.
3. The number of fasteners per side may change with fan size and configuration (2x1 system, 3x1 system, etc.)

Tools Required

- Cordless drill (electric or pneumatic)
- 1/2 inch nut setter



FASTENER KIT 879432 – VEKTOR-M CURB

Part Description	Part #	Quantity
CS,HH,.313-18X2,SS,316,MOLY	416980	20
Assembly Instructions	1016010	1