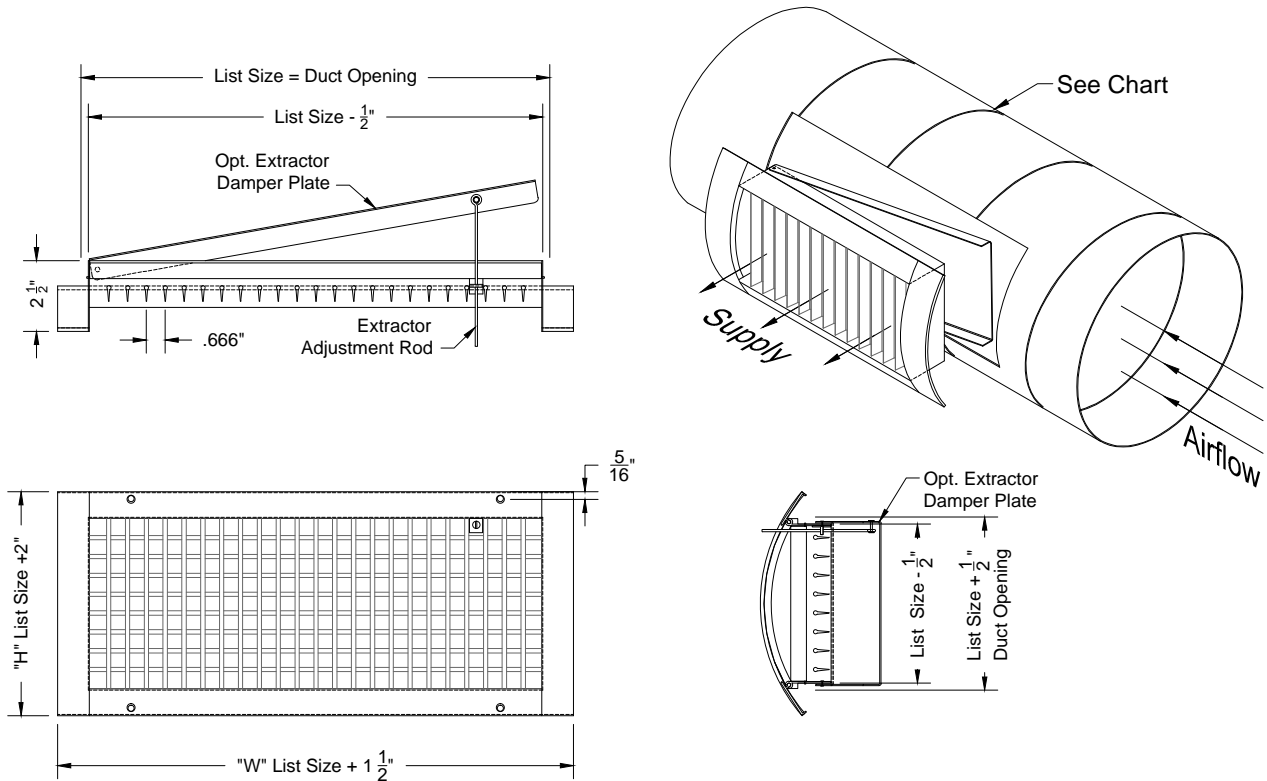


Industrial Spiral Duct Grille / Double Deflection / Curve Flange Aluminum Construction

Models: **XG-4004PCF-1** Aluminum - Double Deflection Grille - Curved Flange - Vertical Front Blades



Available in listed sizes only

Height	Width														
	10"	12"	14"	16"	18"	20"	24"	30"	36"	40"	42"	44"	46"	48"	
	MINIMUM / MAXIMUM DUCT DIAMETER														
3"	6 / 16	6 / 16	6 / 16	6 / 16	6 / 16	6 / 16	6 / 16	6 / 16	6 / 16	6 / 16	6 / 16	6 / 16	6 / 16	6 / 16	
4"	8 / 16	8 / 16	8 / 16	8 / 16	8 / 16	8 / 16	8 / 16	8 / 16	8 / 16	8 / 16	8 / 16	8 / 16	8 / 16	8 / 16	
6"	10 / 28	10 / 28	10 / 28	10 / 28	10 / 28	10 / 28	10 / 28	10 / 28	10 / 28	10 / 28	10 / 28	10 / 28	10 / 28	10 / 28	
8"	14 / 30	14 / 30	14 / 30	14 / 30	14 / 30	14 / 30	14 / 30	14 / 30	14 / 30	14 / 30	14 / 30	14 / 30	14 / 30	14 / 30	
10"	-	-	16 / 30	16 / 30	16 / 30	16 / 30	16 / 30	16 / 30	16 / 30	16 / 30	16 / 30	16 / 30	16 / 30	16 / 30	
12"	-	-	-	-	18 / 30	18 / 30	18 / 30	18 / 30	18 / 30	18 / 30	18 / 30	18 / 30	18 / 30	18 / 30	

Notes: (check if provided)

1. Available Finishes	2. Available Accessories	3. Available Options	4. Construction Details
Standard Finish: 01 White Standard Finish (no extra charge): 24 Mill Finish Optional Finish (extra charge): 02 Satin Silver 03 Black 28 Custom Color / Setup Charge		Opt: Extractor with wire handle	<ul style="list-style-type: none"> Ends are supplied with foam gasket to seal around duct. Units are surface mount. Provided with screw template to mount into duct.