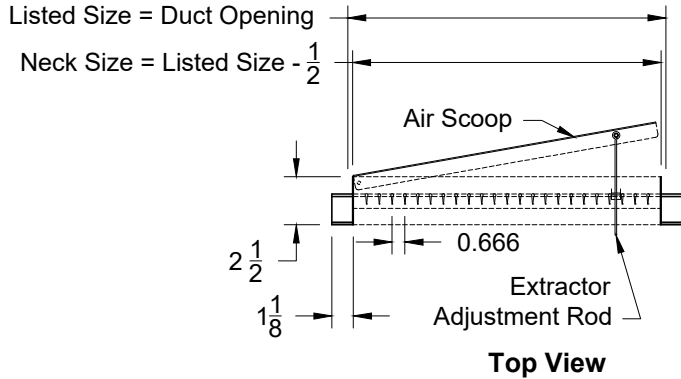
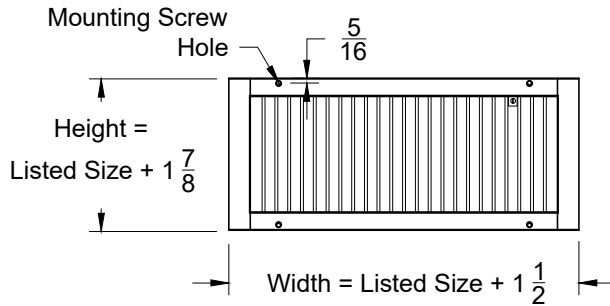
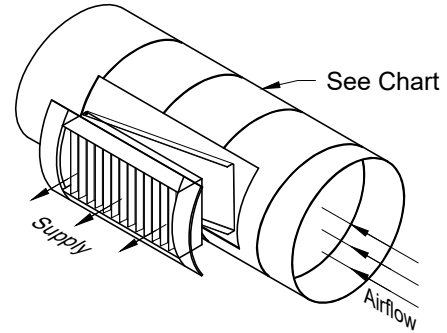


Model: XG-4002PCF-1 Single Deflection - Curved Flange - Vertical Blades - Surface Mount

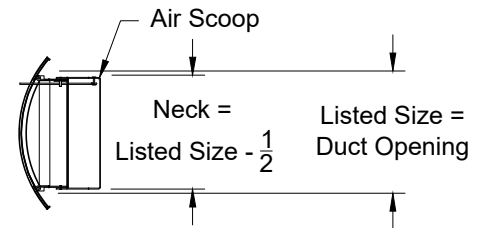
XG-4002PCF-1 - Surface Mount



Isometric View



Face View



End View

Height	Width													
	10"	12"	14"	16"	18"	20"	24"	30"	36"	40"	42"	46"	48"	
	Minimum / Maximum Duct Diameter													
3"	6/20	6/20	6/20	6/20	6/20	6/20	6/20	6/20	6/20	6/20	6/20	6/20	6/20	6/20
4"	8/26	8/26	8/26	8/26	8/26	8/26	8/26	8/26	8/26	8/26	8/26	8/26	8/26	8/26
6"	8/30	8/30	8/30	8/30	8/30	8/30	8/30	8/30	8/30	8/30	8/30	8/30	8/30	8/30
8"	10/30	10/30	10/30	10/30	10/30	10/30	10/30	10/30	10/30	10/30	10/30	10/30	10/30	10/30
10"	-	14/30	14/30	14/30	14/30	14/30	14/30	14/30	14/30	14/30	14/30	14/30	14/30	14/30
12"	-	-	16/30	16/30	16/30	16/30	16/30	16/30	16/30	16/30	16/30	16/30	16/30	16/30

1. Available Finishes	2. Available Accessories	3. Available Options	4. Construction Details
Standard Finish: 01 White Finish 24 Mill Finish Optional Finish 02 Satin Silver 03 Black 04 Clear Anodized 28 Custom Color		AS - Air Scoop NAS - No Air Scoop	<ul style="list-style-type: none"> Air Scoop includes wire handle for operation Ends are supplied with foam gasket to seal around duct Units are surface mount, provided with screw template to mount into duct Available in Listed Sizes Only

All Dimensions ±1/16"