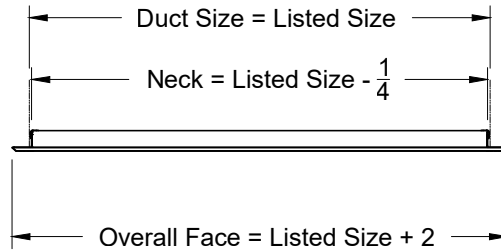


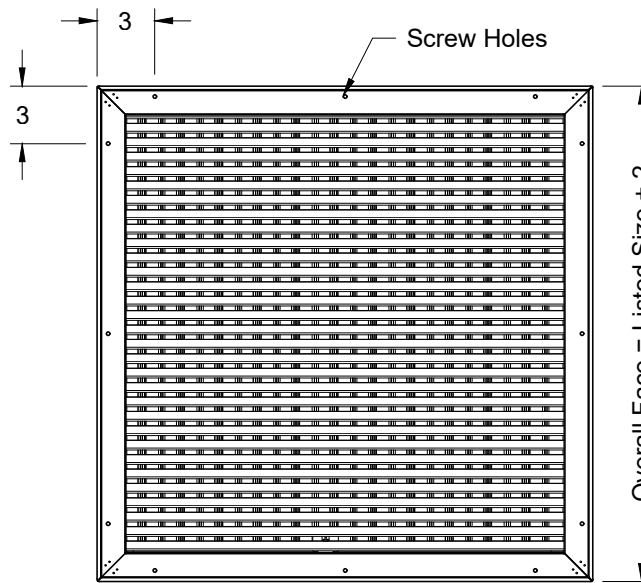
Model: XG-H4002RSS-1 0° Return - Single Deflection 0° Horizontal Blades - Flush Surface Mount  
 XG-H4002RSS-1 45° Return - Single Deflection 45° Horizontal Blades - Flush Surface Mount

### XG-H4002RSS-1 - Flush Surface Mount

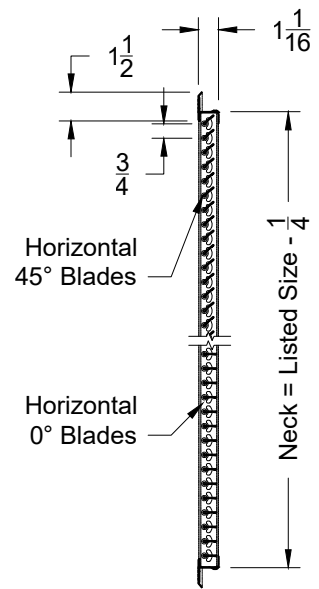


Neck Size		
	Min	Max
Width	4	48
Depth	4	48

End View



Face View

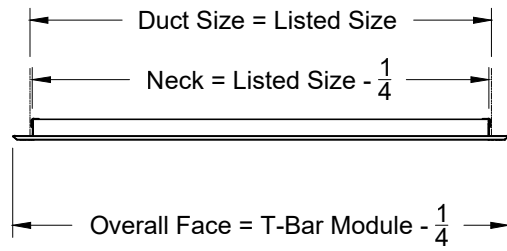


Side View

1. Available Finishes	2. Available Accessories	3. Available Options	4. Construction Details
Standard Finish: 01 White Optional Finish: 23 Satin Polish	XG-OBDS - S.S. Opposed Blade Damper XG-PFSS - S.S. Plaster Frame XG-LIPFSS - S.S. Lay-In Plaster Frame	IS-SS - Insect Screen NSH - No Screw Holes 316SS - 316 Stainless Steel	<ul style="list-style-type: none"> <li>304 Stainless Steel Construction (Standard)</li> <li>Only Available in Listed Sizes</li> </ul>
All Dimensions $\pm 1/16$ "			

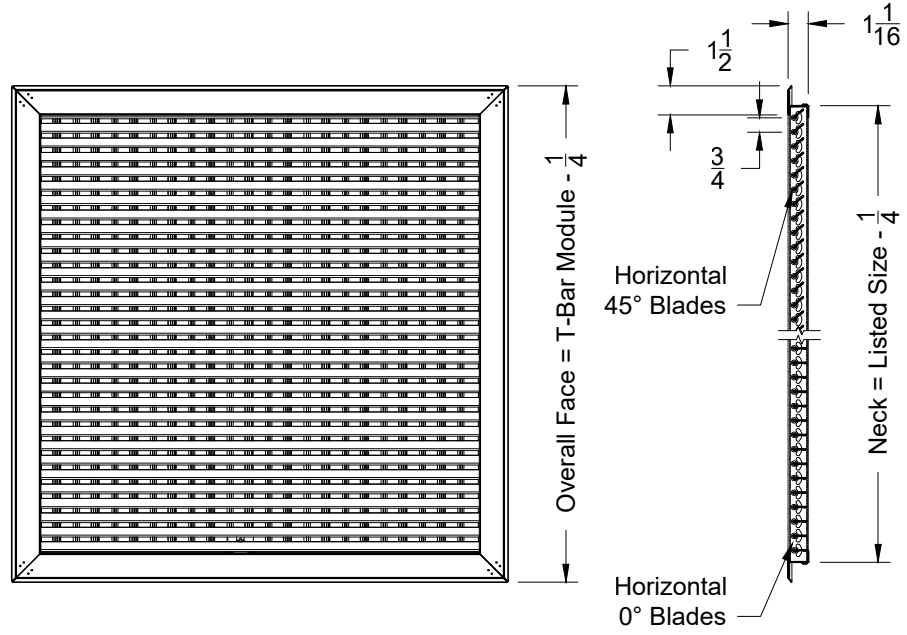
Model: XG-H4002RSS-6 0° Return - Single Deflection 0° Horizontal Blades - Lay In T-Bar  
 XG-H4002RSS-6 45° Return - Single Deflection 45° Horizontal Blades - Lay In T-Bar

### XG-H4002RSS-6 - T-Bar Lay-In



Neck Size		
	Min	Max
Width	4	46
Depth	4	22

End View



Listed Sizes
12 x 12
12 x 24
24 x 24
48 x 24

Face View

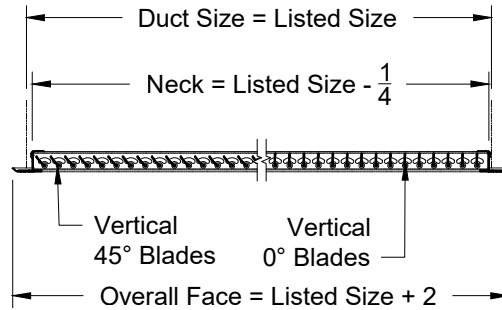
Side View

1. Available Finishes	2. Available Accessories	3. Available Options	4. Construction Details
Standard Finish: 01 White Optional Finish: 23 Satin Polish	XG-OBDS - S.S. Opposed Blade Damper XG-PFSS - S.S. Plaster Frame XG-LIPFSS - S.S. Lay-In Plaster Frame	IS-SS - Insect Screen 316SS - 316 Stainless Steel	<ul style="list-style-type: none"> <li>304 Stainless Steel Construction (Standard)</li> <li>Only Available in Listed Sizes</li> </ul>

All Dimensions ±1/16"

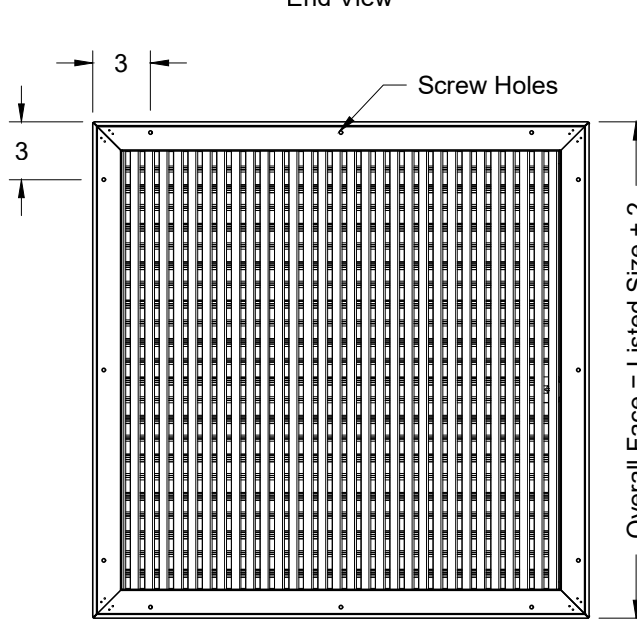
Model: XG-V4002RSS-1 0° Return - Single Deflection 0° Vertical Blades - Flush Surface Mount  
 XG-V4002RSS-1 45° Return - Single Deflection 45° Vertical Blades - Flush Surface Mount

### XG-V4002RSS-1 - Flush Surface Mount

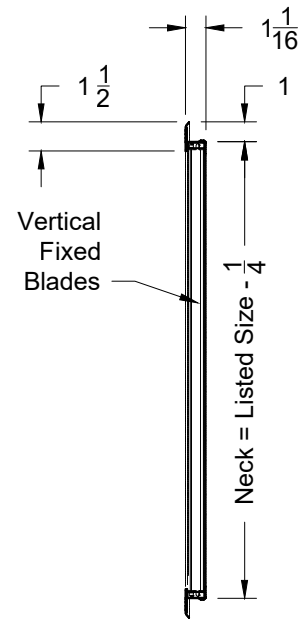


Neck Size		
	Min	Max
Width	4	48
Depth	4	48

End View



Face View



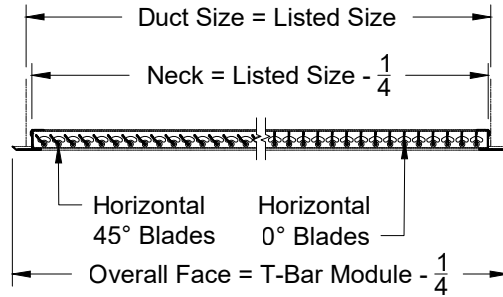
Side View

1. Available Finishes	2. Available Accessories	3. Available Options	4. Construction Details
Standard Finish: 01 White Optional Finish: 23 Satin Polish	XG-OBDS - S.S. Opposed Blade Damper XG-PFSS - S.S. Plaster Frame XG-LIPFSS - S.S. Lay-In Plaster Frame	IS-SS - Insect Screen NSH - No Screw Holes 316SS - 316 Stainless Steel	<ul style="list-style-type: none"> <li>304 Stainless Steel Construction (Standard)</li> <li>Only Available in Listed Sizes</li> </ul>

All Dimensions  $\pm 1/16$ "

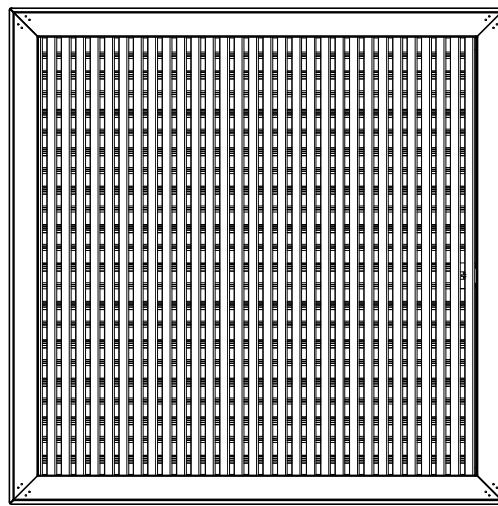
Model: XG-V4002RSS-6 0° Return - Single Deflection 0° Vertical Blades - Lay In T-Bar  
 XG-V4002RSS-6 45° Return - Single Deflection 45° Vertical Blades - Lay In T-Bar

**XG-V4002RSS-6 - T-Bar Lay-In**

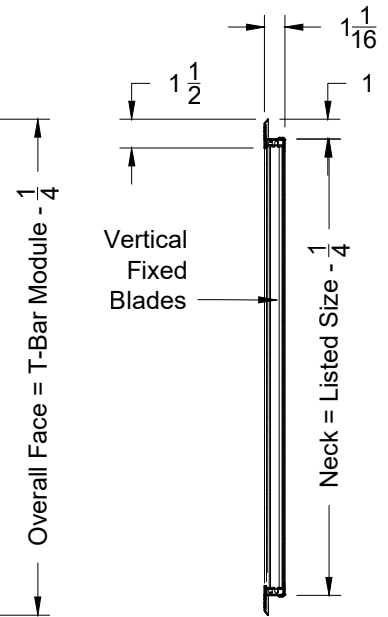


Neck Size		
	Min	Max
Width	4	46
Depth	4	22

End View



Face View



Side View

Listed Sizes
12 x 12
12 x 24
24 x 24
48 x 24

1. Available Finishes	2. Available Accessories	3. Available Options	4. Construction Details
Standard Finish: 01 White Optional Finish: 23 Satin Polish	XG-OBDS - S.S. Opposed Blade Damper XG-PFSS - S.S. Plaster Frame XG-LIPFSS - S.S. Lay-In Plaster Frame	IS-SS - Insect Screen 316SS - 316 Stainless Steel	<ul style="list-style-type: none"> <li>304 Stainless Steel Construction (Standard)</li> <li>Only Available in Listed Sizes</li> </ul>

All Dimensions  $\pm 1/16$ "