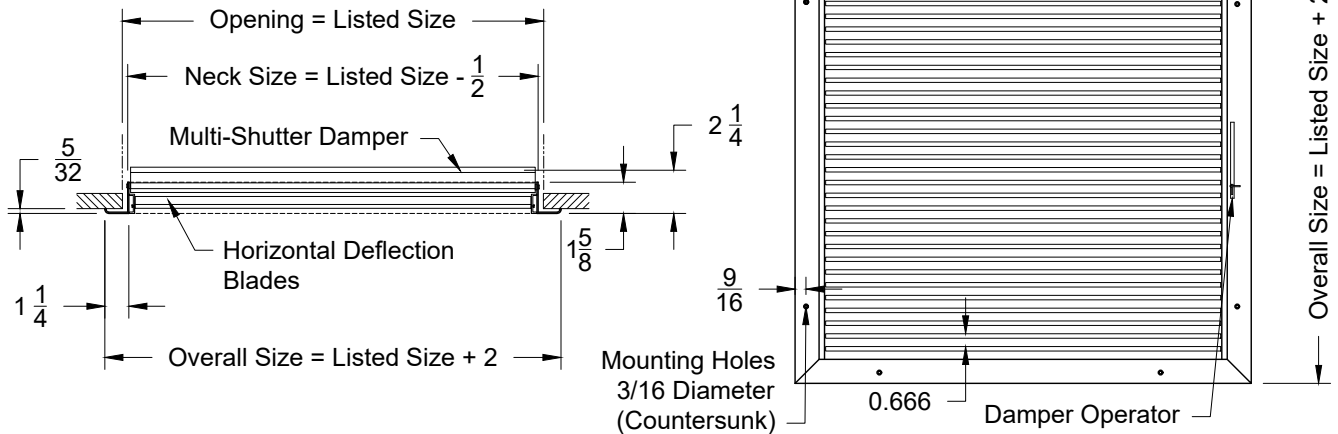


Model: XG-H4002SM-1 Horizontal Blades with Multi-Shutter Damper - Flush Surface Mount
 XG-H4002SM-6 Horizontal Blades with Multi-Shutter Damper - T-Bar Lay In

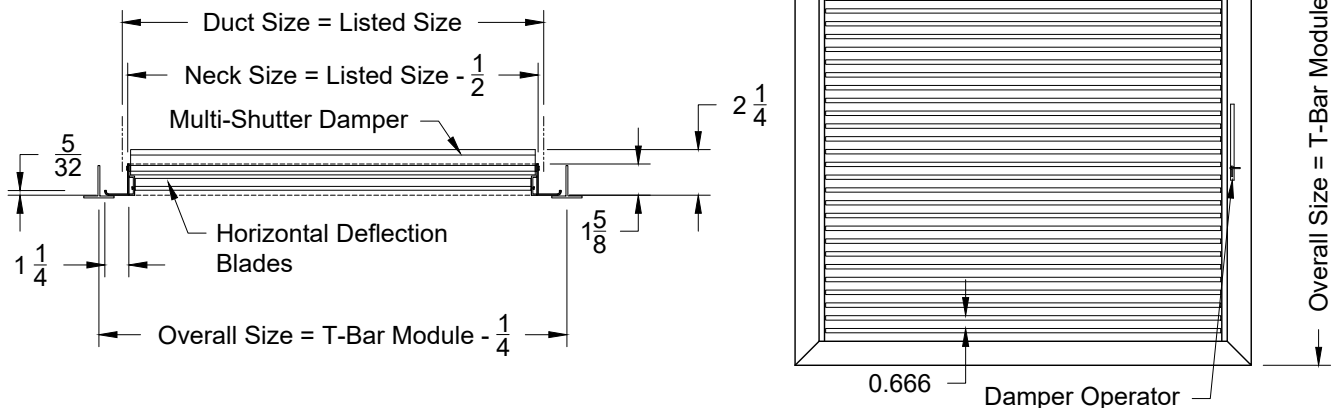
XG-H4002SM-1 - Flush Surface Mount

Face View



XG-H4002SM-6 - T-Bar Lay-In

Face View



Note: This product complies with NFPA 90A-18 standard 4.3.7.3.2 and 4.3.8.3.2 and is constructed with openings through which a 1/2" sphere can not pass.

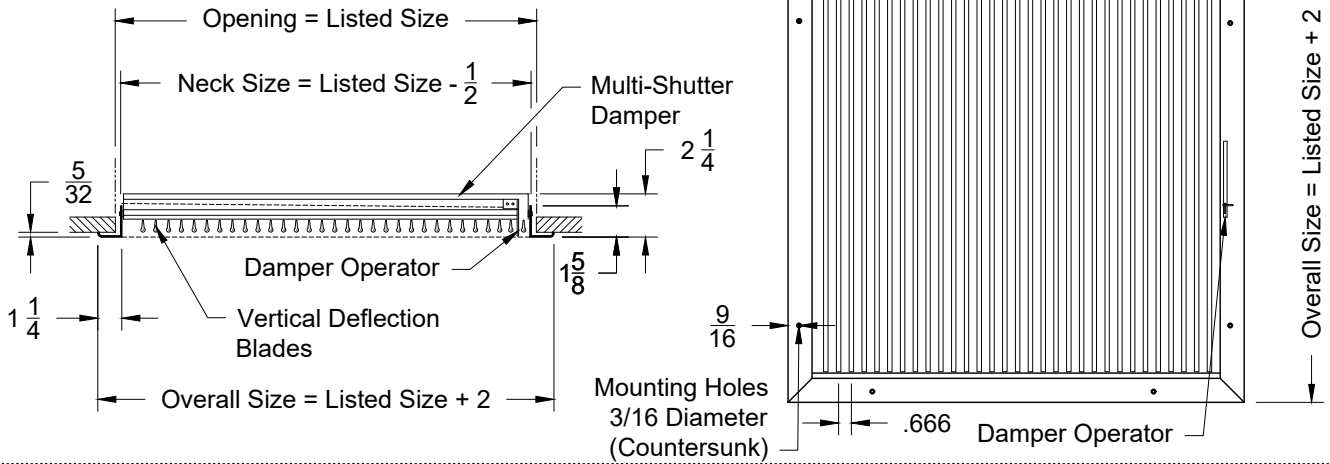
1. Available Finishes	2. Available Accessories	3. Available Options	4. Construction Details
Standard Finish: 01 White Finish 24 Mill Finish Optional Finish 02 Satin Silver 03 Black 28 Custom Color	XG-OBD - Steel Opposed Blade Damper XG-OBDA - Aluminum OBD XG-L9 - Equalizing Grid XG-PF - Plaster Frame XG-TBPF - T-Bar Plaster Frame XG-TR - Square to Round Transition XG-TR-Deep - Deep Transition XG-LIPF - Lay-In Plaster Frame	IS - Insect Screen FGBP - Fiberglass Backpan NSH - No Screw Holes CM - Concealed Mount	<ul style="list-style-type: none"> Steel Construction Largest Neck Size 16x16

All Dimensions $\pm 1/16"$

Model: XG-V4002SM-1 Vertical Blades with Multi-Shutter Damper - Flush Surface Mount
 XG-V4002SM-6 Vertical Blades with Multi-Shutter Damper - T-Bar Lay In

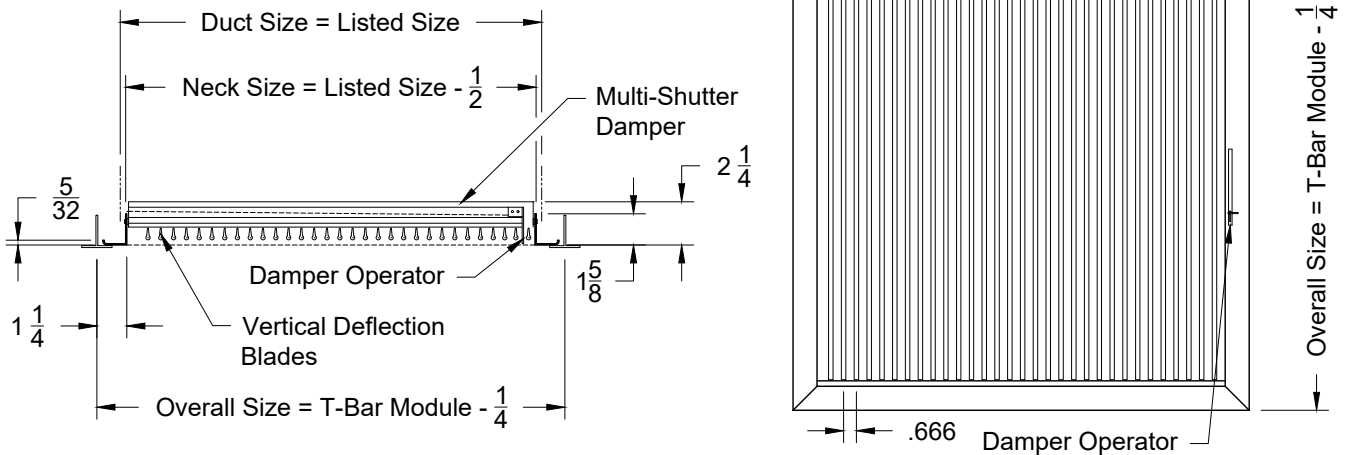
XG-V4002SM-1 - Flush Surface Mount

Face View



XG-V4002SM-6 - T-Bar Lay In

Face View



Note: This product complies with NFPA 90A-18 standard 4.3.7.3.2 and 4.3.8.3.2 and is constructed with openings through which a 1/2" sphere can not pass.

1. Available Finishes	2. Available Accessories	3. Available Options	4. Construction Details
Standard Finish: 01 White Finish 24 Mill Finish Optional Finish 02 Satin Silver 03 Black 28 Custom Color	XG-OBD - Steel Opposed Blade Damper XG-OBDA - Aluminum OBD XG-L9 - Equalizing Grid XG-PF - Plaster Frame XG-TBPF - T-Bar Plaster Frame XG-TR - Square to Round Transition XG-TR-Deep - Deep Transition XG-LIPF - Lay-In Plaster Frame	IS - Insect Screen FGFBP - Fiberglass Backpan NSH - No Screw Holes CM - Concealed Mount	<ul style="list-style-type: none"> Steel Construction Largest Neck Size 16x16
All Dimensions $\pm 1/16"$			