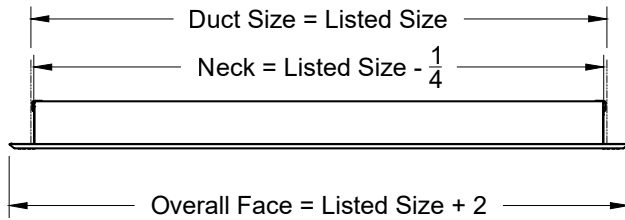


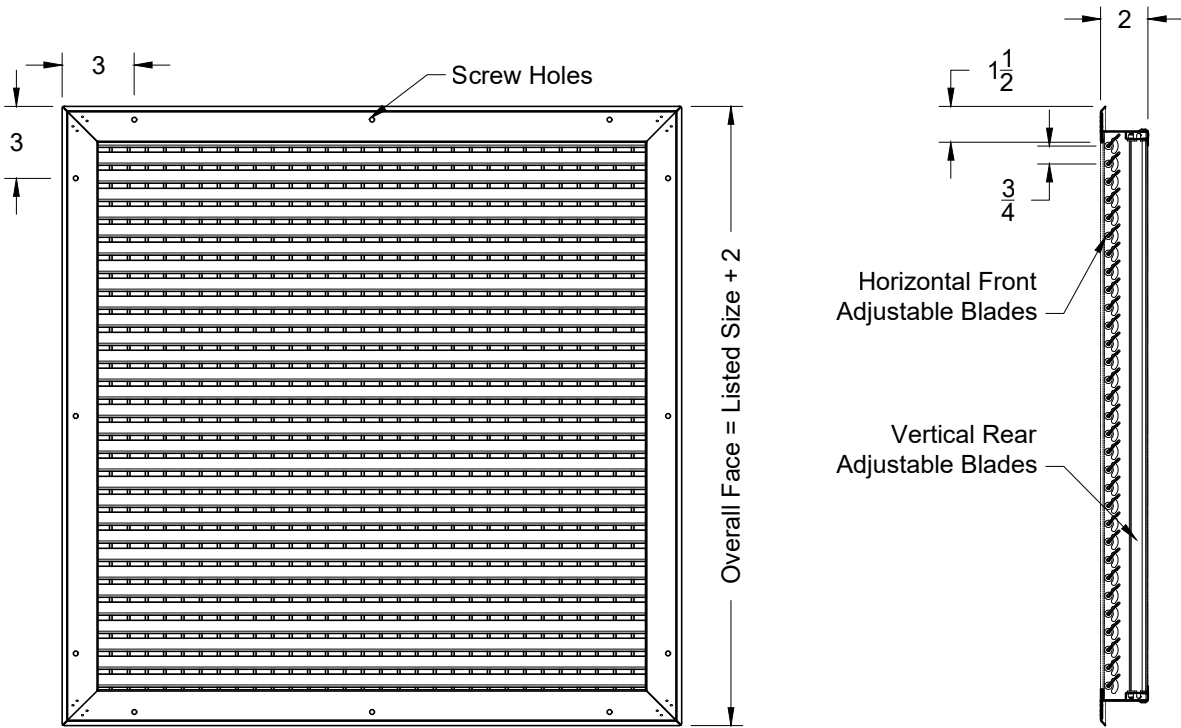
Model: XG-H4004SS-1 0° Supply - Double Deflection 0° Horizontal Blades - Flush Surface Mount
 XG-H4004SS-1 45° Supply - Double Deflection 45° Horizontal Blades - Flush Surface Mount

XG-H4004SS-1 - Flush Surface Mount



Neck Size		
	Min	Max
Width	4	48
Depth	4	48

Side View



Face View

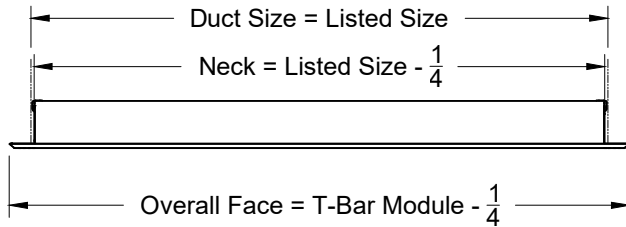
Side View

1. Available Finishes	2. Available Accessories	3. Available Options	4. Construction Details
Standard Finish: 01 White Optional Finish: 23 Satin Polish	XG-OBDSS - S.S. Opposed Blade Damper XG-PFSS - S.S. Plaster Frame XG-LIPFSS - S.S. Lay-In Plaster Frame	IS-SS - Insect Screen NSH - No Screw Holes 316SS - 316 Stainless Steel	<ul style="list-style-type: none"> 304 Stainless Steel Construction (Standard) Only Available in Listed Sizes

All Dimensions ±1/16"

Model: XG-H4004SS-6 0° Supply - Double Deflection 0° Horizontal Blades - Lay In T-Bar
 XG-H4004SS-6 45° Supply - Double Deflection 45° Horizontal Blades - Lay In T-Bar

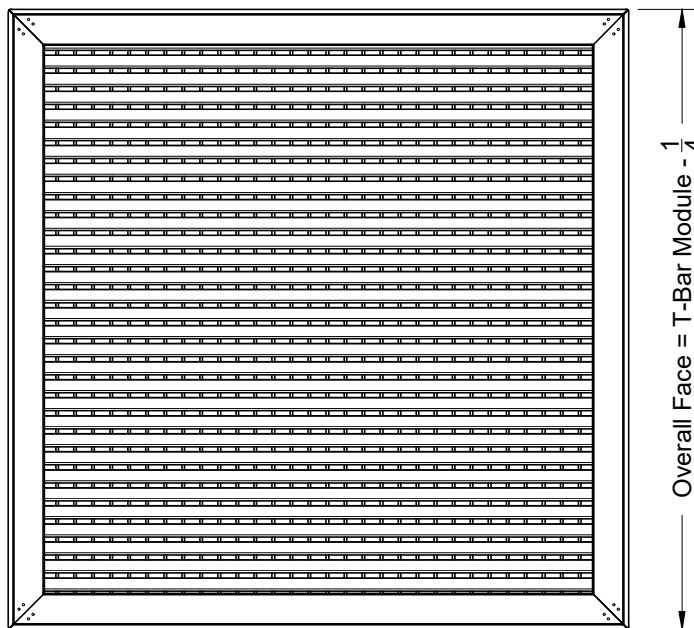
XG-H4004SS-6 - T-Bar Lay-In



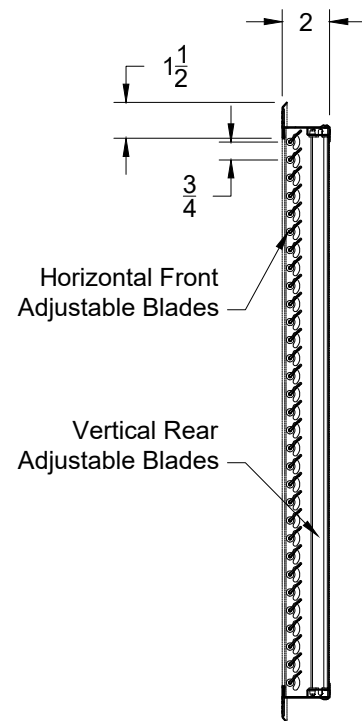
Side View

Listed Sizes
12 x 12
12 x 24
24 x 24
48 x 24

Neck Size		
	Min	Max
Width	4	46
Depth	4	22



Face View



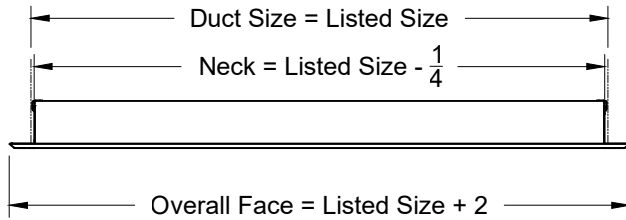
Side View

1. Available Finishes	2. Available Accessories	3. Available Options	4. Construction Details
Standard Finish: 01 White Optional Finish: 23 Satin Polish	XG-OBDS - S.S. Opposed Blade Damper XG-PFSS - S.S. Plaster Frame XG-LIPFSS - S.S. Lay-In Plaster Frame	IS-SS - Insect Screen 316SS - 316 Stainless Steel	<ul style="list-style-type: none"> 304 Stainless Steel Construction (Standard) Only Available in Listed Sizes

All Dimensions ±1/16"

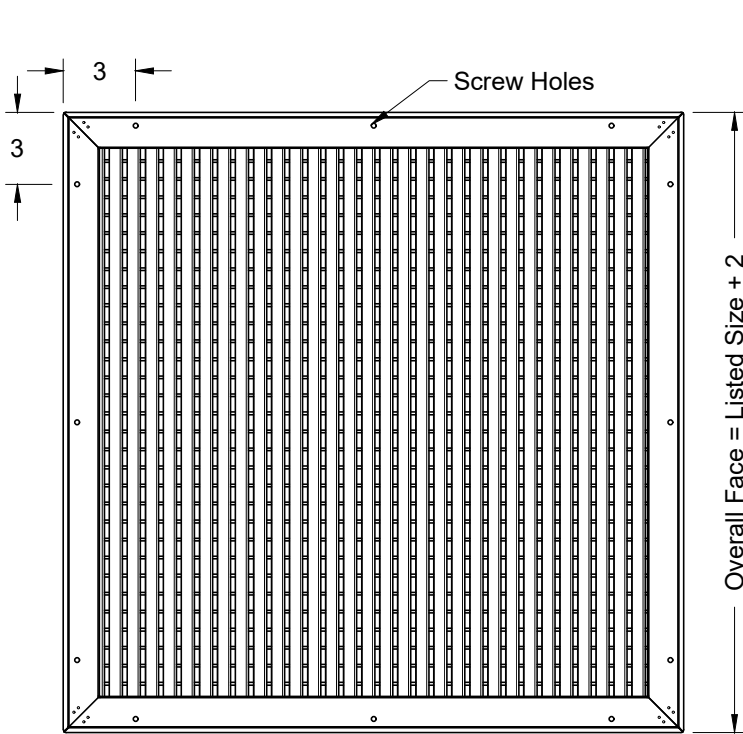
Model: XG-V4004SS-1 0° Supply - Double Deflection 0° Horizontal Blades - Lay In T-Bar
 XG-V4004SS-1 45° Supply - Double Deflection 45° Horizontal Blades - Lay In T-Bar

XG-V4004SS-1 - Flush Surface Mount

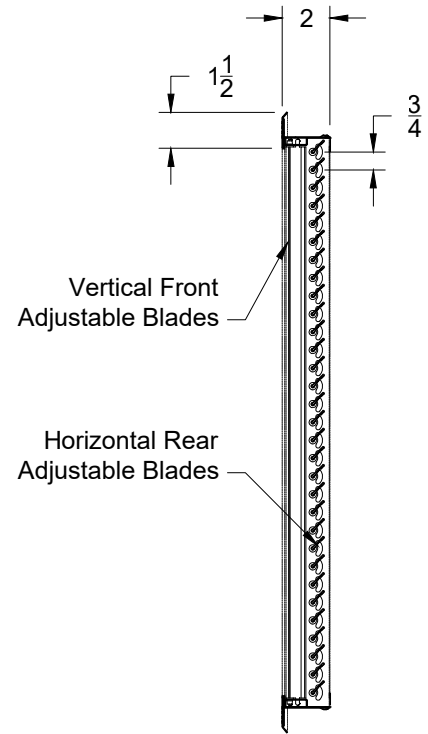


Neck Size		
	Min	Max
Width	4	48
Depth	4	48

Side View



Face View



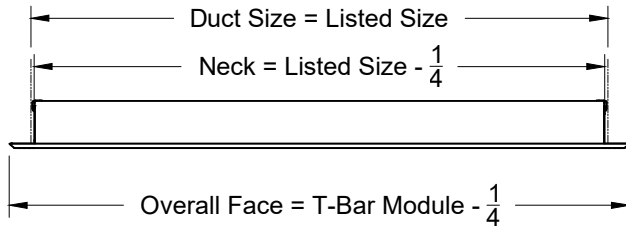
Side View

1. Available Finishes	2. Available Accessories	3. Available Options	4. Construction Details
Standard Finish: 01 White Optional Finish: 23 Satin Polish	XG-OBDS - S.S. Opposed Blade Damper XG-PFSS - S.S. Plaster Frame XG-LIPFSS - S.S. Lay-In Plaster Frame	IS-SS - Insect Screen NSH - No Screw Holes 316SS - 316 Stainless Steel	<ul style="list-style-type: none"> 304 Stainless Steel Construction (Standard) Only Available in Listed Sizes

All Dimensions ±1/16"

Model: XG-V4004SS-6 0° Supply - Double Deflection 0° Vertical Blades - Lay In T-Bar
 XG-V4004SS-6 45° Supply - Double Deflection 45° Vertical Blades - Lay In T-Bar

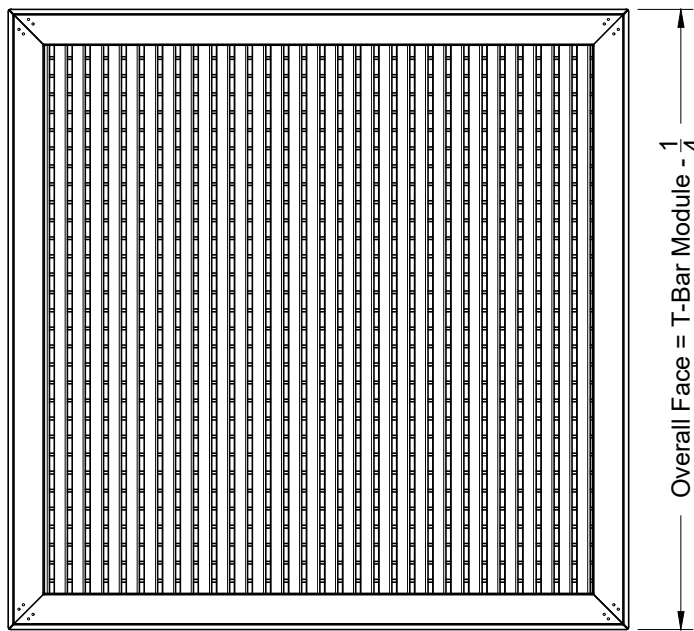
XG-V4004SS-6 - T-Bar Lay-In



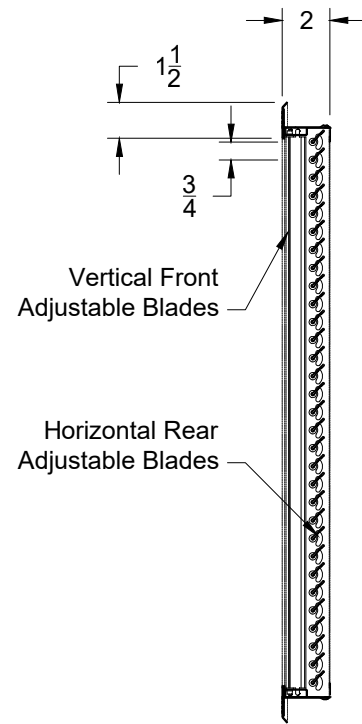
Listed Sizes
12 x 12
12 x 24
12 x 48
48 x 24

Neck Size		
	Min	Max
Width	4	46
Depth	4	22

Side View



Face View



Side View

1. Available Finishes	2. Available Accessories	3. Available Options	4. Construction Details
Standard Finish: 01 White Optional Finish: 23 Satin Polish	XG-OBDS - S.S. Opposed Blade Damper XG-PFSS - S.S. Plaster Frame XG-LIPFSS - S.S. Lay-In Plaster Frame	IS-SS - Insect Screen 316SS - 316 Stainless Steel	<ul style="list-style-type: none"> 304 Stainless Steel Construction (Standard) Only Available in Listed Sizes

All Dimensions ±1/16"