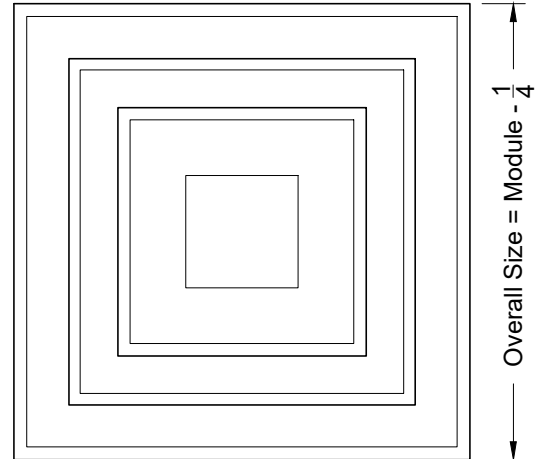
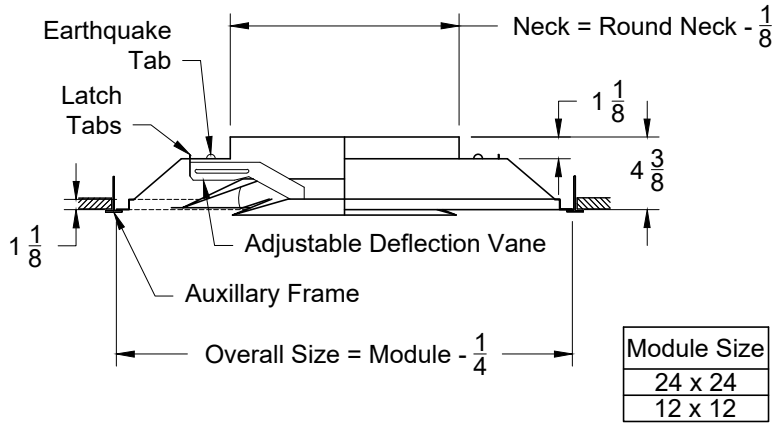


Model: XG-5700A-1 Square Face - 3 Cone - Round Neck - Flush Surface Mount
 XG-5700A-6 Square Face - 3 Cone - Round Neck - T-Bar Lay-In

XG-5700A-1 - Flush Surface Mount

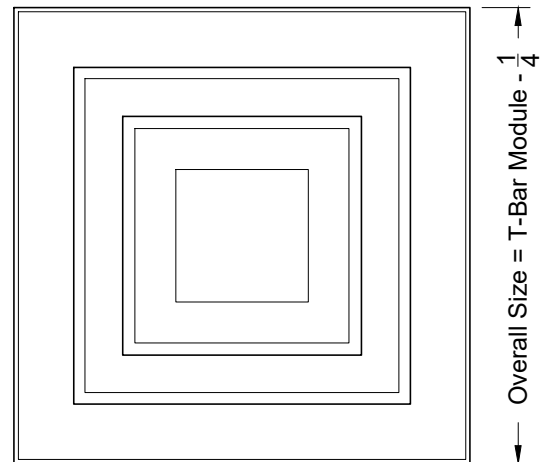
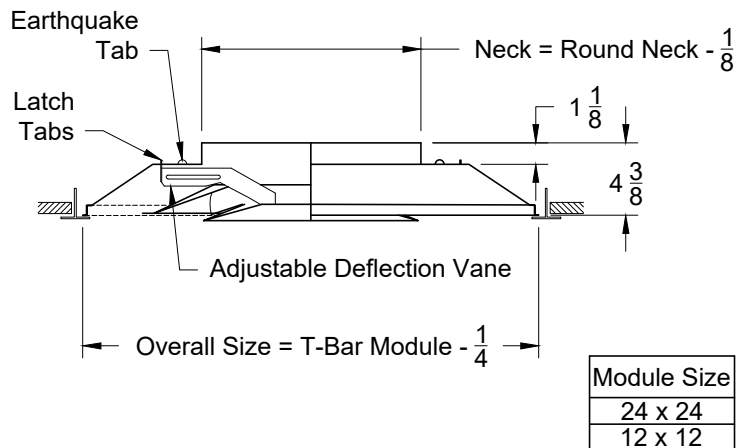
Face View



Note: For surface mount installations, use of plaster frame is recommended.

XG-5700A-6 - T-Bar Lay-In

Face View



1. Available Finishes	2. Available Accessories	3. Available Options	4. Construction Details
Standard Finish: 01 White Optional Finish 02 Satin Silver 03 Black 28 Custom Color	XG-BDS - Butterfly Damper XG-RSD - Radial Shutter Damper XG-G3 - Equalizing Grid XG-BAF - Directional Baffles XG-TBPF - T-Bar Plaster Frame XG-EQS - Earthquake Straps XG-SNAP 58 - Extra Cone for 5700	FGBP - Fiberglass Backpan	<ul style="list-style-type: none"> Available Sizes Only as Listed Available Neck Sizes as Listed: 6, 8, 10, 12, 14 and 15 Materials: Available in Steel, Aluminum and Aluminized Steel. Consult Software for Available Border Types.

All Dimensions ±1/16"