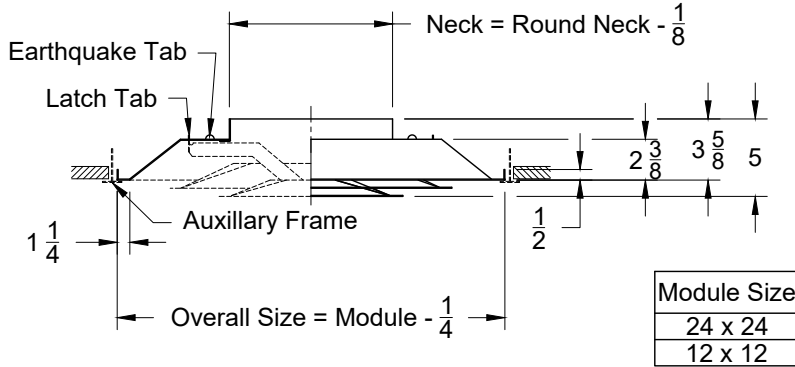
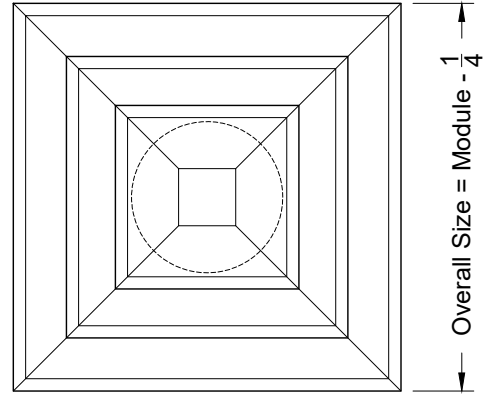


Model: XG-5700-1 Square Face - 3 Cone - Round Neck - Flush Surface Mount
 XG-5700-6 Square Face - 3 Cone - Round Neck - T-Bar Lay-In

XG-5700-1 - Flush Surface Mount

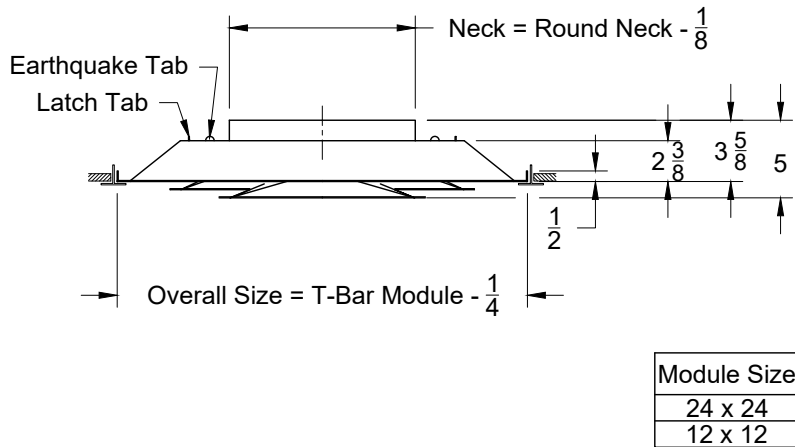


Face View

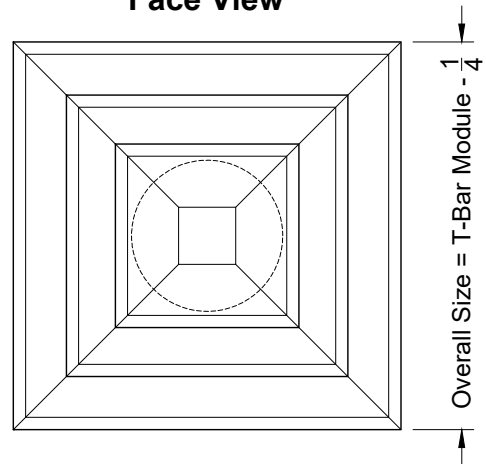


Note: For surface mount installations, use of plaster frame is recommended

XG-5700-6 - T-Bar Lay-In



Face View

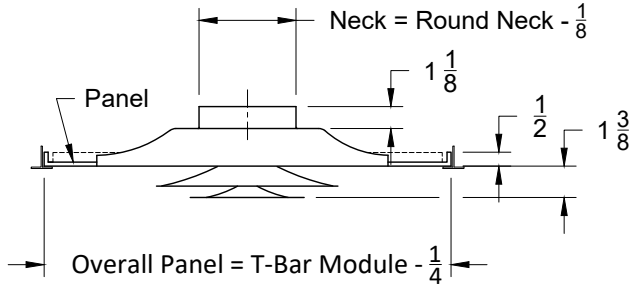


1. Available Finishes	2. Available Accessories	3. Available Options	4. Construction Details
Standard Finish: 01 White Optional Finish 02 Satin Silver 03 Black 28 Custom Color	XG-BDS - Butterfly Damper XG-RSD - Radial Shutter Damper XG-G3 - Equalizing Grid XG-BAF - Directional Baffles XG-TBPF - T-Bar Plaster Frame XG-EQS - Earthquake Straps XG-SNAP 58 - Extra Cone for 5700	FGBP - Fiberglass Backpan 2"BC - 2" Beaded Inlet Collar	<ul style="list-style-type: none"> Available Sizes Only as Listed Available Neck Sizes as Listed: 6, 8, 10, 12, 14 and 15 Materials: Available in Steel, Aluminum and Aluminized Steel Consult Software for Available Border Types

All Dimensions $\pm 1/16"$

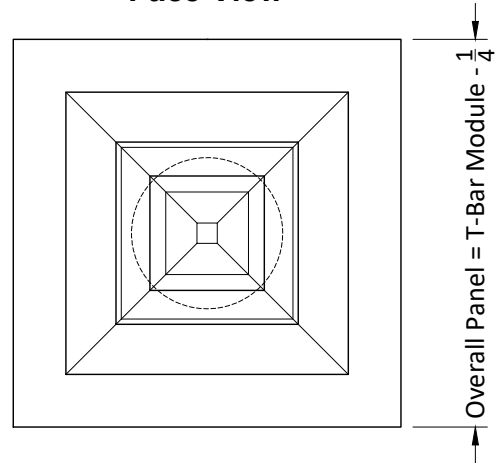
Model: XG-5700-6P Square Face - 3 Cone - Round Neck - Lay in T-Bar Panel
 XG-5700-7 Square Face - 3 Cone - Round Neck - Concealed T-Bar

XG-5700-6P - Lay in T-Bar Panel

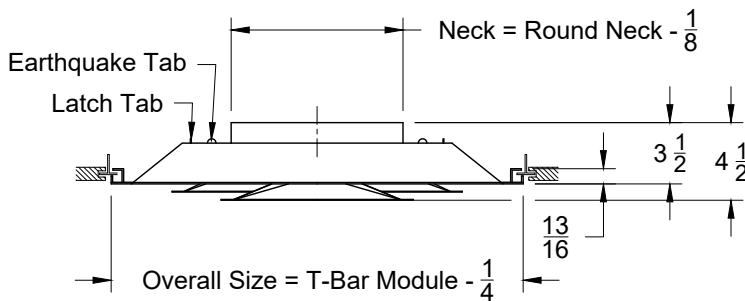


Listed Module Size	
Face	Panel
12 x 12	20 x 20
12 x 12	24 x 24
12 x 12	30 x 30
24 x 24	30 x 30

Face View

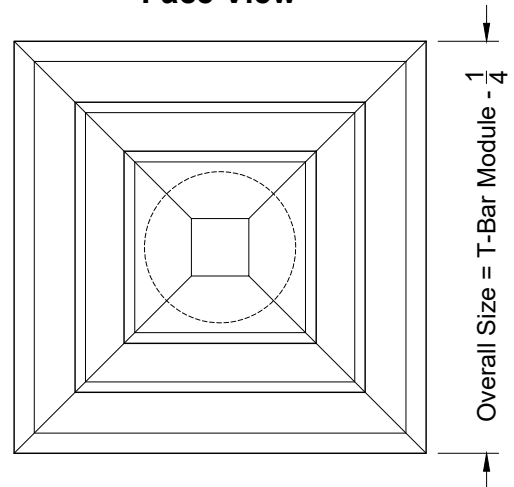


XG-5700-7 - Concealed T-Bar



Module Size
24 x 24

Face View



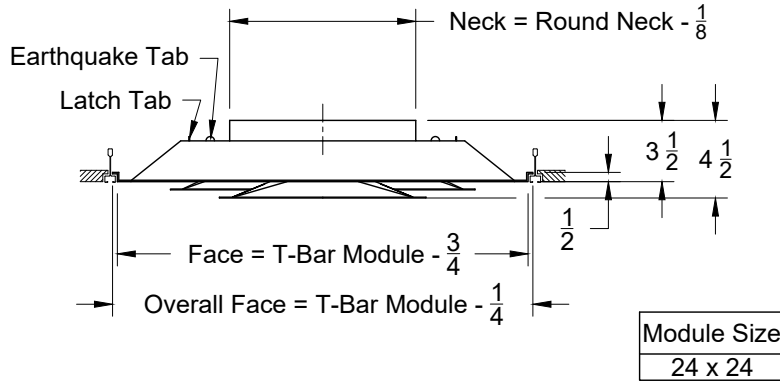
1. Available Finishes	2. Available Accessories	3. Available Options	4. Construction Details
Standard Finish: 01 White Optional Finish 02 Satin Silver 03 Black 28 Custom Color	XG-BDS - Butterfly Damper XG-RSD - Radial Shutter Damper XG-G3 - Equalizing Grid XG-BAF - Directional Baffles XG-TBPF - T-Bar Plaster Frame XG-EQS - Earthquake Straps XG-SNAP 58 - Extra Cone for 5700	FGBP - Fiberglass Backpan 2"BC - 2" Beaded Inlet Collar	<ul style="list-style-type: none"> Available Sizes Only as Listed Available Neck Sizes as Listed: 6, 8, 10, 12, 14 and 15 Materials: Available in Steel, Aluminum and Aluminized Steel. Consult Software for Available Border Types.

All Dimensions ±1/16"

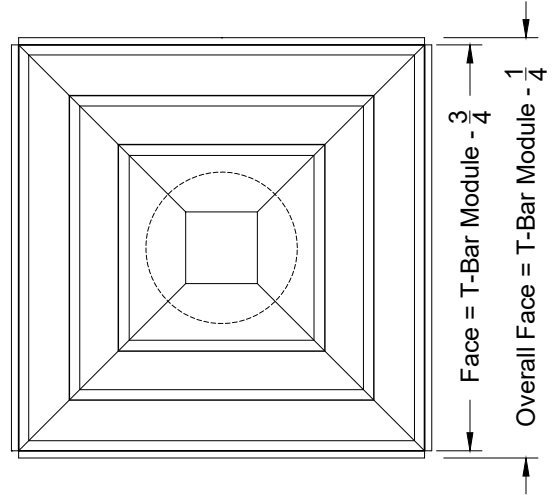
Model: XG-5700-9

Square Face - 3 Cone - Round Neck - Bolt Slot / Donn Finline Module

XG-5700-9 - Bolt Slot / Donn Finline Module



Face View



1. Available Finishes	2. Available Accessories	3. Available Options	4. Construction Details
Standard Finish: 01 White Optional Finish 02 Satin Silver 03 Black 28 Custom Color	XG-BDS - Butterfly Damper XG-RSD - Radial Shutter Damper XG-G3 - Equalizing Grid XG-BAF - Directional Baffles XG-TBPF - T-Bar Plaster Frame XG-EQS - Earthquake Straps XG-SNAP 58 - Extra Cone for 5700	FGBP - Fiberglass Backpan 2"BC - 2" Beaded Inlet Collar	<ul style="list-style-type: none"> Available Sizes Only as Listed Available Neck Sizes as Listed: 6, 8, 10, 12, 14 and 15 Materials: Available in Steel, Aluminum and Aluminized Steel. Consult Software for Available Border Types.

All Dimensions $\pm 1/16"$