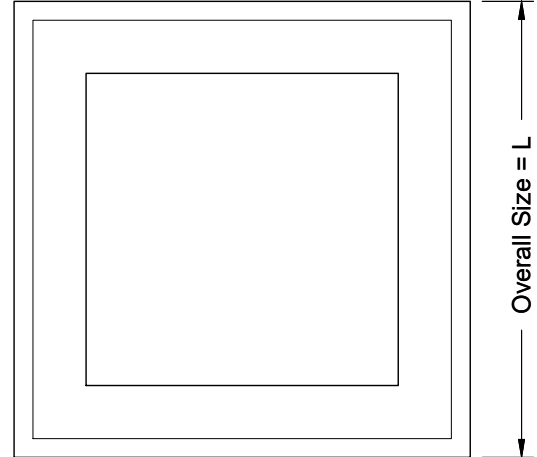
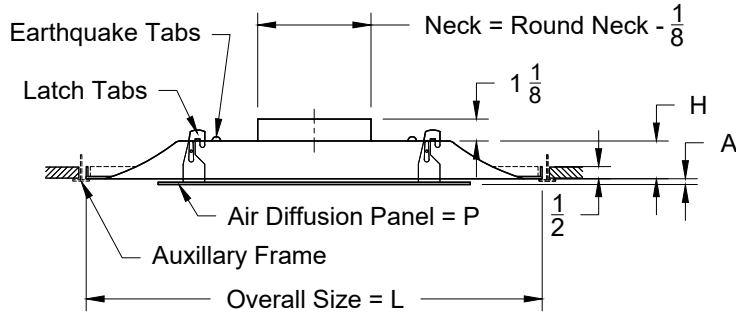


Model: XG-5750-1 Square Plaque Face Diffuser - Round Neck - Flush Surface Mount
 XG-5750-6 Square Plaque Face Diffuser - Round Neck - T-Bar Lay-In

XG-5750-1 - Flush Surface Mount

Face View



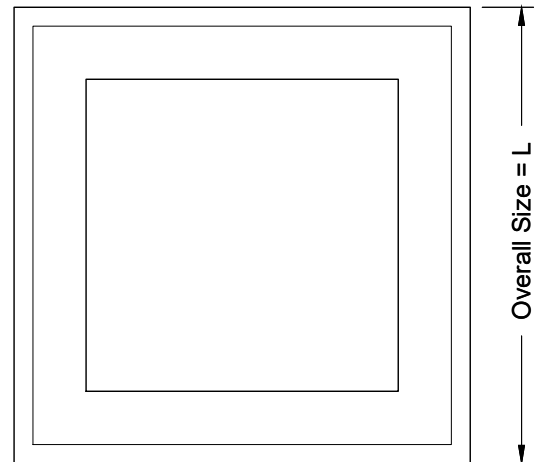
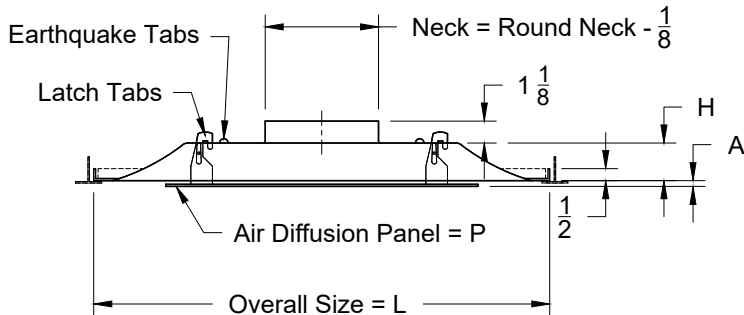
Module Size	L	P	H	A
24 x 24	23 3/4	18 x 18	2 1/2	1/8
12 x 12	11 5/8	9 x 9	1	1/2

12X12 Face

Note: For surface mount installations use of plaster frame is recommended

XG-5750-6 - T-Bar Lay-In

Face View



Module Size	L	P	H	A
24 x 24	23 3/4	18 x 18	2 1/2	1/8
12 x 12	11 5/8	9 x 9	1	1/2

12X12 Face

1. Available Finishes

- Standard Finish:
- 01 White
- Finish
- 24 Mill Finish
- Optional Finish
- 02 Satin Silver
- 03 Black
- 28 Custom Color

2. Available Accessories

- XG-BDS - Butterfly Damper
- XG-RSD - Radial Shutter Damper
- XG-G3 - Equalizing Grid
- XG-BAF - Directional Baffles
- XG-TBPF - T-Bar Plaster Frame
- XG-EQS - Earthquake Straps
- XG-BO - Blank-Off

3. Available Options

- FGBP - Fiberglass Backpan
- 2"BC - 2" Beaded Inlet Collar

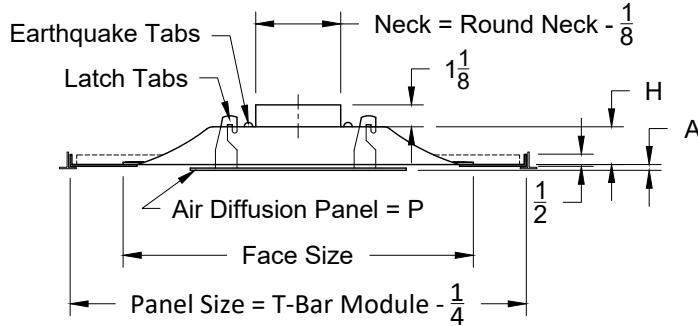
4. Construction Details

- Available Sizes Only as Listed
- Available Neck Sizes as Listed: 6, 8, 10, 12, 14 and 15
- Materials: Available in Steel, Aluminum and Aluminized Steel
- Consult Software for Available Border Types

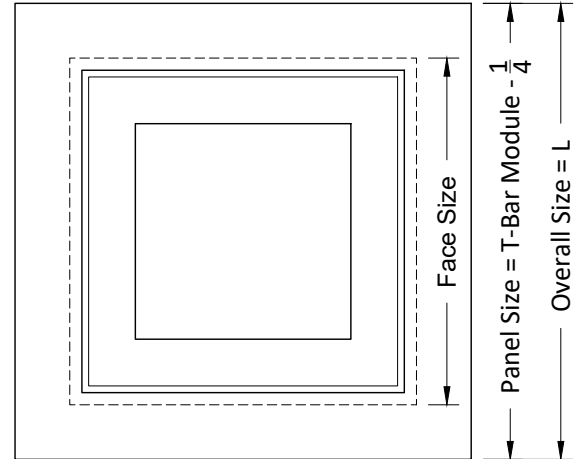
All Dimensions ±1/16"

Model: XG-5750-6P Square Plaque Face Diffuser - Round Neck - Lay in T-Bar Panel

XG-5750-6P - Lay in T-Bar Panel



Face View



Listed Size					
Face	Panel	L	P	H	A
12 x 12	20 x 20	19 3/4	9 x 9	1	1/2
12 x 12	24 x 24	23 3/4	9 x 9	1	1/2
12 x 12	30 x 30	29 3/4	9 x 9	1	1/2
24 x 24	30 x 30	29 3/4	18 x 18	2 1/2	1/8

1. Available Finishes	2. Available Accessories	3. Available Options	4. Construction Details
Standard Finish: 01 White Finish 24 Mill Finish Optional Finish 02 Satin Silver 03 Black 28 Custom Color	XG-BDS - Butterfly Damper XG-RSD - Radial Shutter Damper XG-G3 - Equalizing Grid XG-BAF - Directional Baffles XG-TBPF - T-Bar Plaster Frame XG-EQS - Earthquake Straps XG-BO - Blank-Off	FGBP - Fiberglass Backpan 2"BC - 2" Beaded Inlet Collar	<ul style="list-style-type: none"> • Available Sizes Only as Listed • Available Neck Sizes as Listed: 6, 8, 10, 12, 14 and 15 • Materials: Available in Steel, Aluminum and Aluminized Steel • Consult Software for Available Border Types.

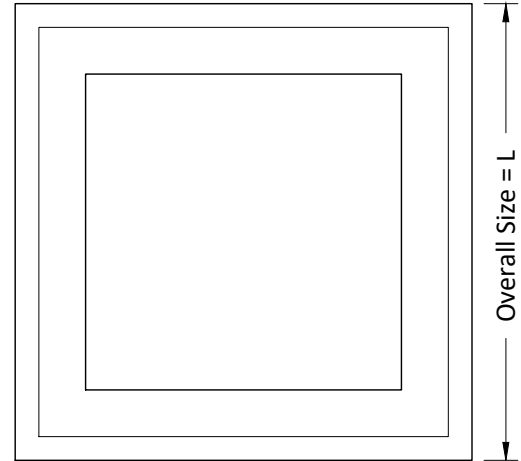
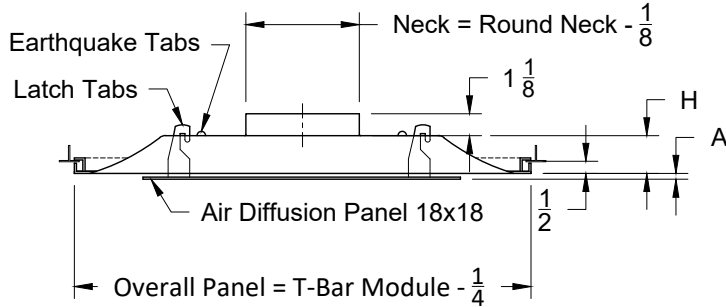
All Dimensions ±1/16"

Model: XG-5750-7
 XG-5750-9

Square Plaque Face Diffuser - Round Neck - Concealed Spline Module
 Square Plaque Face Diffuser - Round Neck - Bolt Slot / Donn Finline Module

XG-5750-7 - Concealed Spline Module

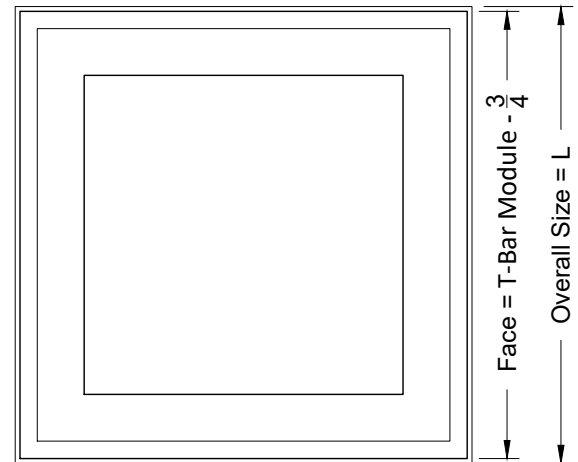
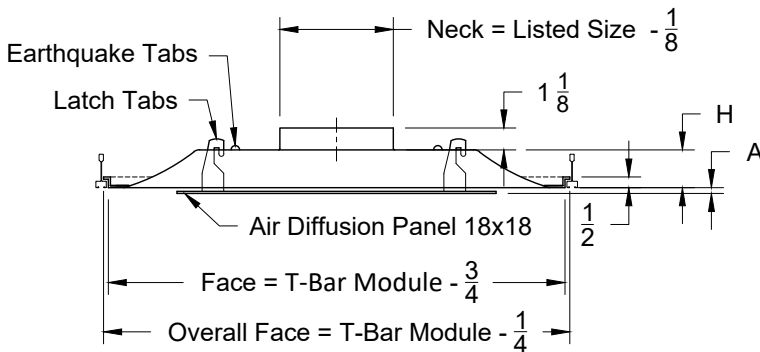
Face View



Module Size	L	H	A
24 x 24	23 3/4	2 1/2	1/8

XG-5750-9 Bolt Slot / Donn Finline Module

Face View



Module Size	L	H	A
24 x 24	23 3/4	2 1/2	1/8

1. Available Finishes

Standard Finish:
 01 White
 Finish
 24 Mill Finish
 Optional Finish
 02 Satin Silver
 03 Black
 28 Custom Color

2. Available Accessories

XG-BDS - Butterfly Damper
 XG-RSD - Radial Shutter Damper
 XG-G3 - Equalizing Grid
 XG-BAF - Directional Baffles
 XG-TBPF - T-Bar Plaster Frame
 XG-EQS - Earthquake Straps
 XG-BO - Blank-Off

3. Available Options

FGBP - Fiberglass Backpan
 2"BC - 2" Beaded Inlet Collar

4. Construction Details

- Available Sizes Only as Listed
- Available Neck Sizes as Listed: 6, 8, 10, 12, 14 and 15
- Materials: Available in Steel, Aluminum and Aluminized Steel
- Consult Software for Available Border Types.

All Dimensions ±1/16"