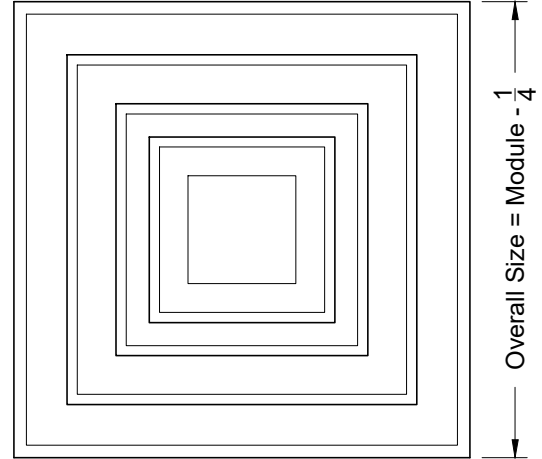
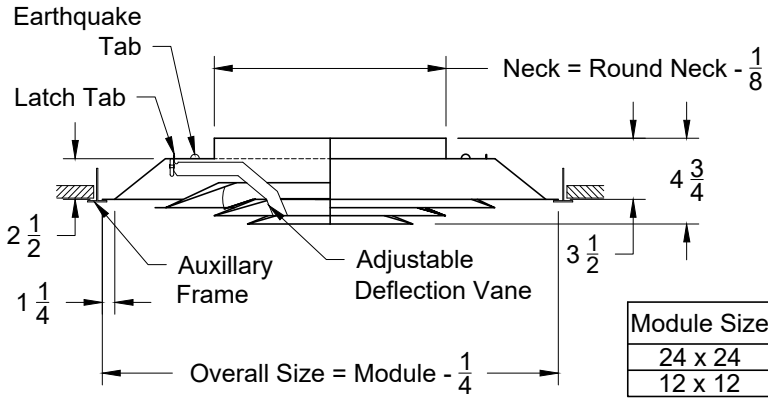


Model: XG-5800A-1 Square Face - 4 Cone - Round Neck - Adjustable Deflection Vanes - Flush Surface Mount  
 XG-5800A-6 Square Face - 4 Cone - Round Neck - Adjustable Deflection Vanes - T-Bar Lay-In

### XG-5800A-1 - Flush Surface Mount

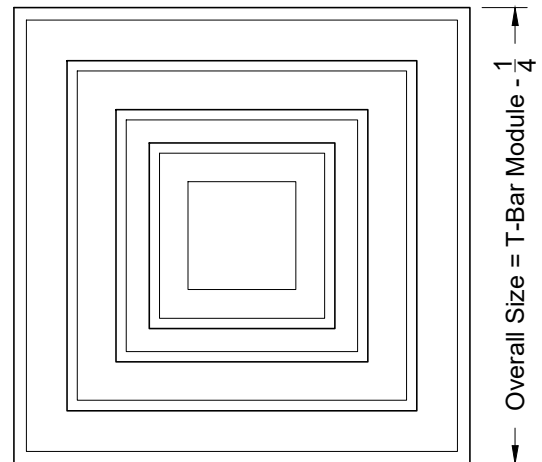
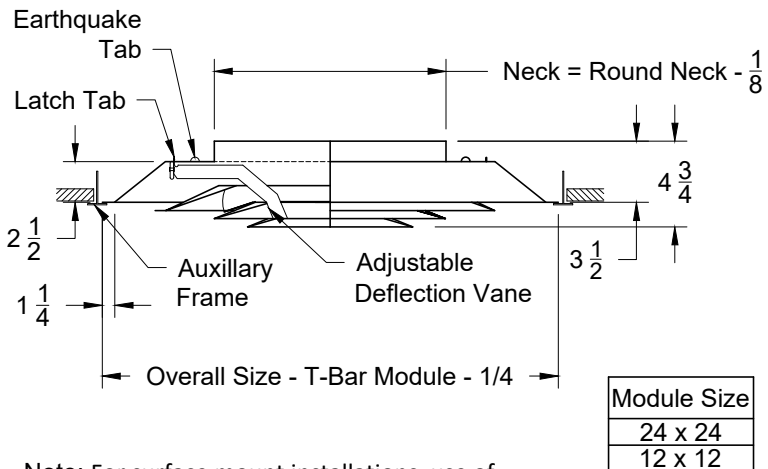
### Face View



Note: For surface mount installations use of plaster frame is recommended

### XG-5800A-6 - T-Bar Lay-In

### Face View



Note: For surface mount installations, use of plaster frame is recommended

1. Available Finishes	2. Available Accessories	3. Available Options	4. Construction Details
Standard Finish: 01 White Optional Finish 02 Satin Silver 03 Black 28 Custom Color	XG-BDS - Butterfly Damper XG-RSD - Radial Shutter Damper XG-G3 - Equalizing Grid XG-BAF - Directional Baffles XG-TBPF - T-Bar Plaster Frame XG-EQS - Earthquake Straps	FGBP - Fiberglass Backpan	<ul style="list-style-type: none"> <li>Available Sizes Only as Listed</li> <li>Available Neck Sizes as Listed: 6, 8, 10, 12, 14 and 15</li> <li>Materials: Available in Steel, Aluminum and Aluminized Steel.</li> <li>Consult Software for Available Border Types.</li> </ul>

All Dimensions  $\pm 1/16"$