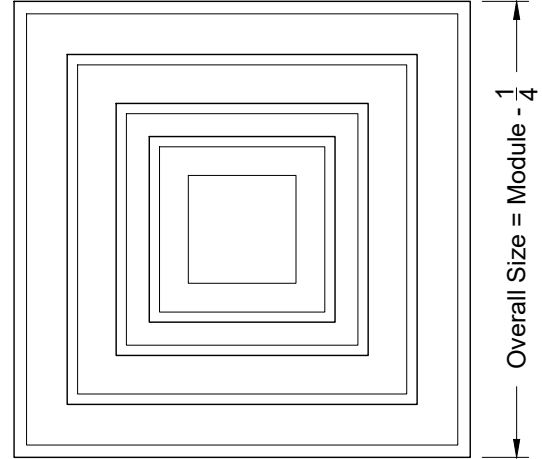
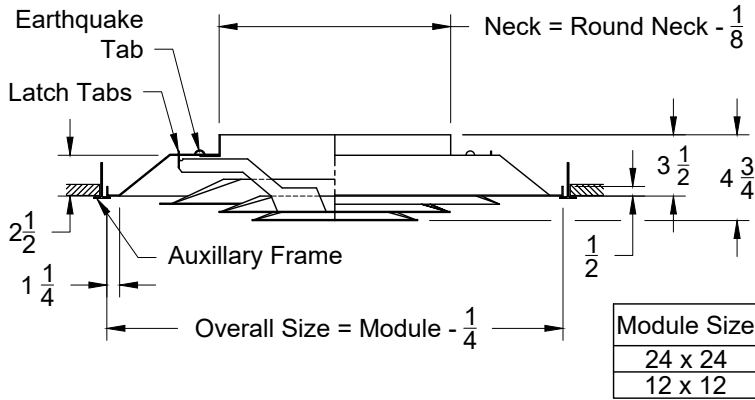


Model: XG-5800-1 Square Face - 4 Cone - Round Neck - Flush Surface Mount
 XG-5800-6 Square Face - 4 Cone - Round Neck - T-Bar Lay-In

XG-5800-1 - Flush Surface Mount

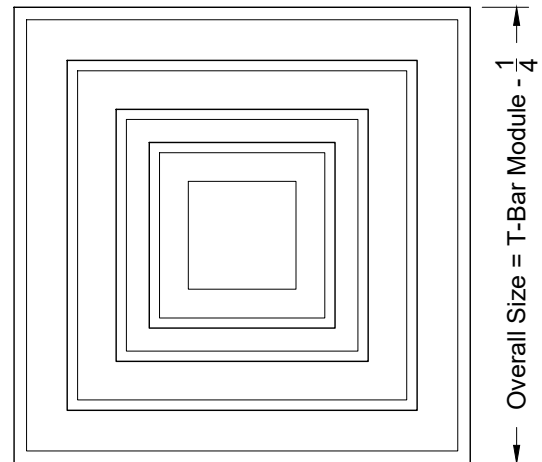
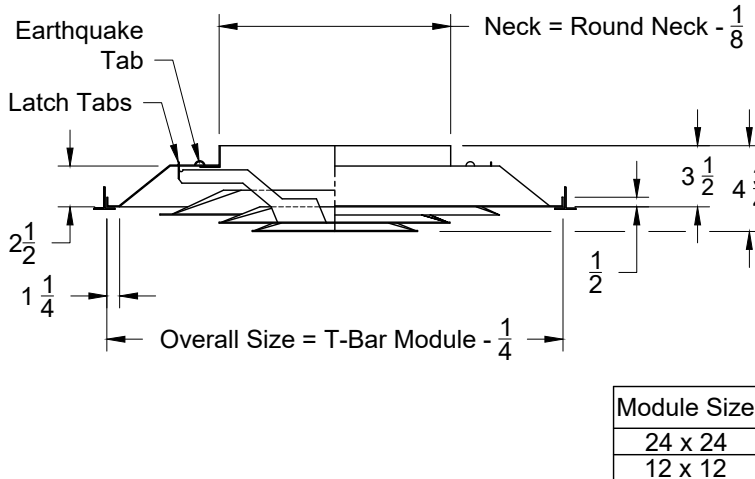
Face View



Note: For surface mount installations use of plaster frame is recommended

XG-5800-6 - T-Bar Lay-In

Face View

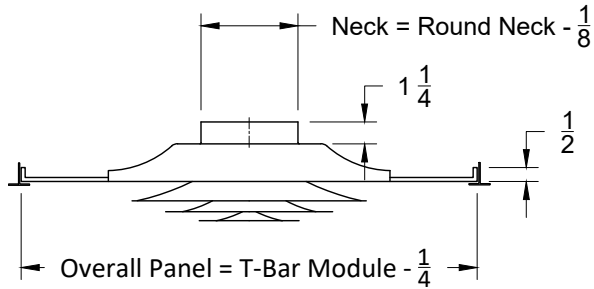


1. Available Finishes	2. Available Accessories	3. Available Options	4. Construction Details
Standard Finish: 01 White Optional Finish 02 Satin Silver 03 Black 28 Custom Color	XG-BDS - Butterfly Damper XG-RSD - Radial Shutter Damper XG-G3 - Equalizing Grid XG-BAF - Directional Baffles XG-TBPF - T-Bar Plaster Frame XG-EQS - Earthquake Straps	MRI - MRI Construction FGFB - Fiberglass Backpan 2"BC - 2" Beaded Inlet Collar	<ul style="list-style-type: none"> Available Sizes Only as Listed Available Neck Sizes as Listed: 6, 8, 10, 12, 14 and 15 Materials: Available in Steel, Aluminum and Aluminized Steel. Consult Software for Available Border Types.

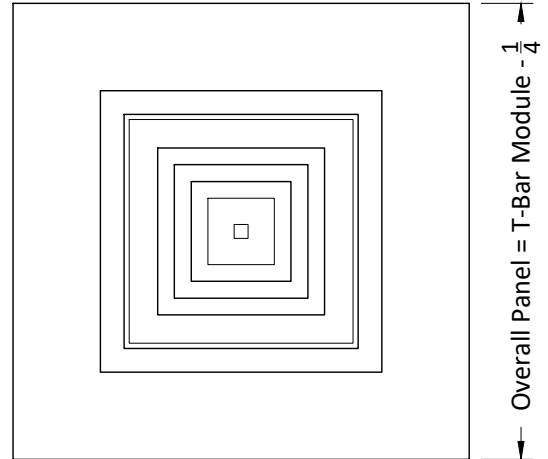
All Dimensions $\pm 1/16"$

Model: XG-5800-6P Square Face - 4 Cone - Round Neck - Lay In T-Bar Panel

XG-5800-6P - Lay in T-Bar Panel Mount



Face View



Listed Size	
Face	Panel
12 x 12	20 x 20
12 x 12	24 x 24
12 x 12	30 x 30
24 x 24	30 x 30

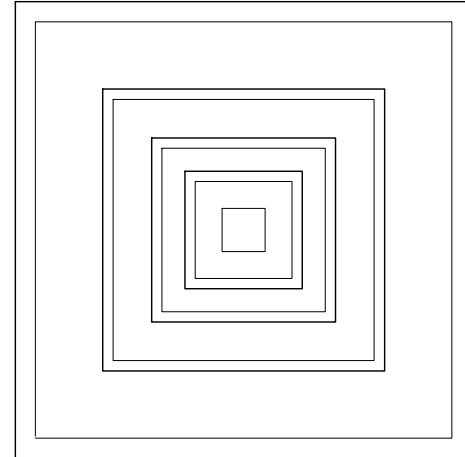
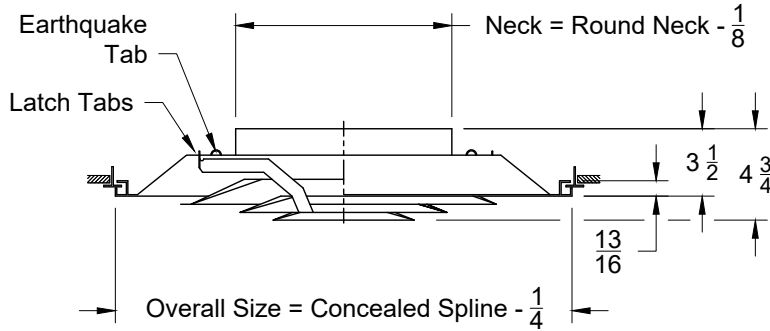
1. Available Finishes	2. Available Accessories	3. Available Options	4. Construction Details
Standard Finish: 01 White Optional Finish 02 Satin Silver 03 Black 28 Custom Color	XG-BDS - Butterfly Damper XG-RSD - Radial Shutter Damper XG-G3 - Equalizing Grid XG-BAF - Directional Baffles XG-TBPF - T-Bar Plaster Frame XG-EQS - Earthquake Straps	MRI - MRI Construction FGFB - Fiberglass Backpan 2"BC - 2" Beaded Inlet Collar	<ul style="list-style-type: none"> • Available Sizes Only as Listed • Available Neck Sizes as Listed: 6, 8, 10, 12, 14 and 15 • Materials: Available in Steel, Aluminum and Aluminized Steel. • Consult Software for Available Border Types.

All Dimensions ±1/16"

Model: XG-5800-7 Square Face - 4 Cone - Round Neck - Concealed Spline Module
 XG-5800-9 Square Face - 4 Cone - Round Neck - Bolt Slot / Donn Finline

XG-5800-7 - Concealed Spline Module

Face View

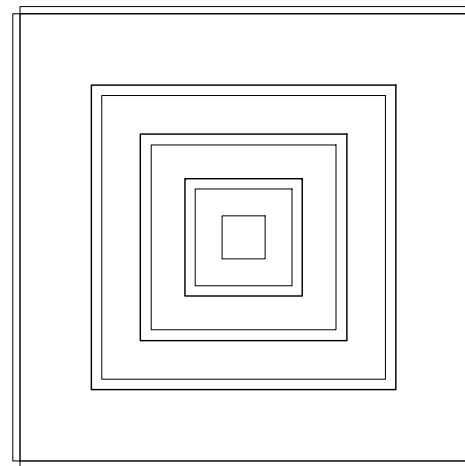
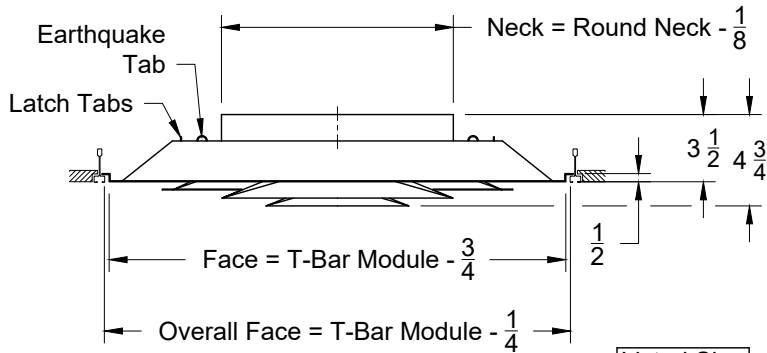


Overall Size = Concealed Spline - $\frac{1}{4}$

Listed Size
24 x 24

XG-5800-9 - Bolt Slot / Donn Finline Module

Face View



Overall Size = T-Bar Module - $\frac{1}{4}$

Listed Size
24 x 24

1. Available Finishes	2. Available Accessories	3. Available Options	4. Construction Details
Standard Finish: 01 White Optional Finish 02 Satin Silver 03 Black 28 Custom Color	XG-BDS - Butterfly Damper XG-RSD - Radial Shutter Damper XG-G3 - Equalizing Grid XG-BAF - Directional Baffles XG-TBPF - T-Bar Plaster Frame XG-EQS - Earthquake Straps	MRI - MRI Construction FGBC - Fiberglass Backpan 2"BC - 2" Beaded Inlet Collar	<ul style="list-style-type: none"> Available Sizes Only as Listed Available Neck Sizes as Listed: 6, 8, 10, 12, 14 and 15 Materials: Available in Steel, Aluminum and Aluminized Steel. Consult Software for Available Border Types.

All Dimensions $\pm 1/16"$