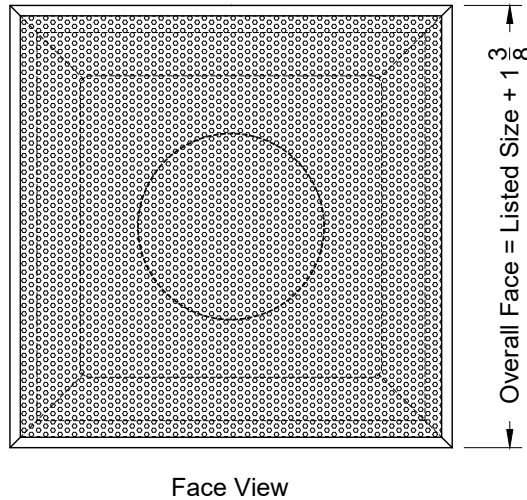
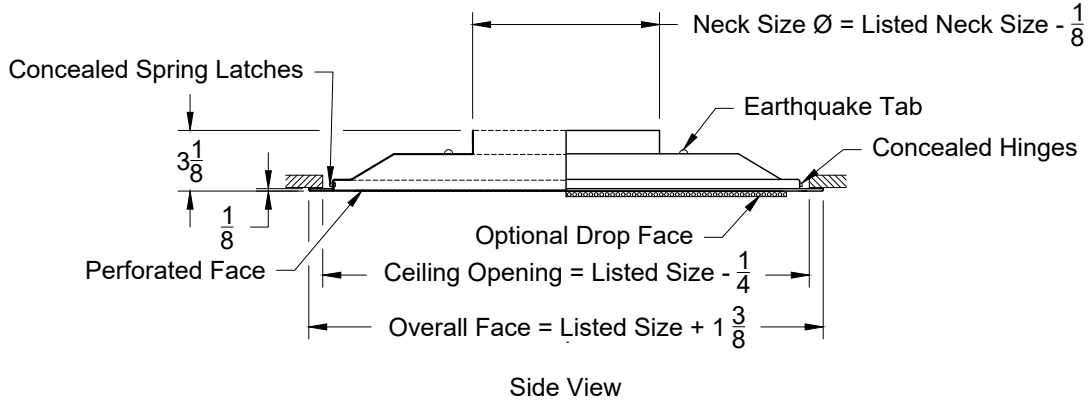


Model: XG-7500-1 Perforated Hinged Face - Flush Surface Mount

XG-7500R-1 - Flush Surface Mount

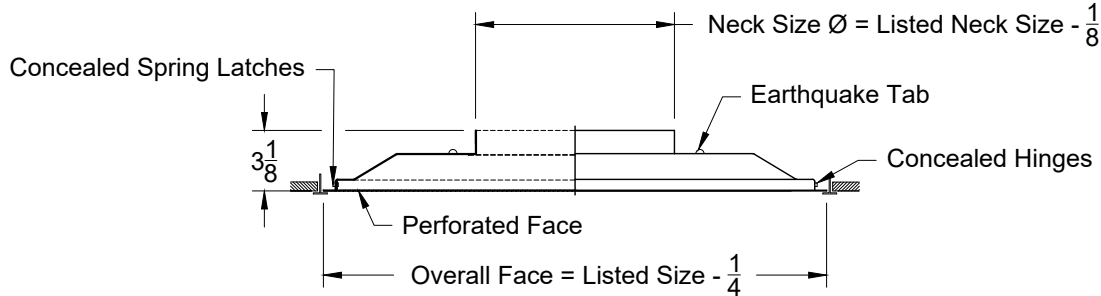


Listed Size
Nominal
Face
24 x 24
12 x 12

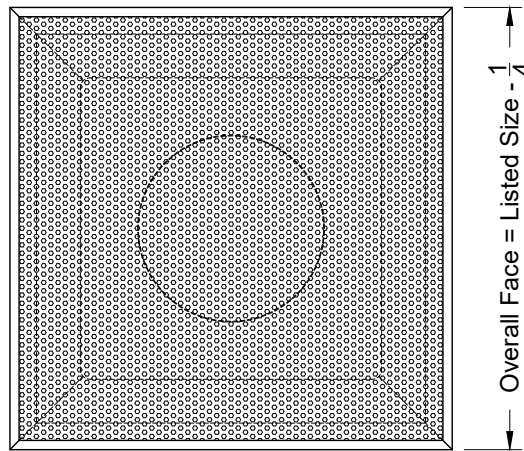
1. Available Finishes	2. Available Accessories	3. Available Options	4. Construction Details
Standard Finish: 01 White Finish 02 Satin Silver 03 Black 22 BBP - Black Backpan - White Face Optional Finish 28 Custom Color	XG-BDS - Butterfly Damper XG-RDS - Steel Radial Shutter Damper XG-TBPF - T-Bar Plaster Frame XG-FGBP - Fiberglass Backpan XG-G3 - Equalizing Grid (Round)	Beaded Inlet Collar AF - Aluminum Face DF - Drop Face	<ul style="list-style-type: none"> Steel Construction (Standard) Sizes Available only as listed Neck sizes available: 6, 8, 10, 12, 14 & 16 Face is Hinged
All Dimensions $\pm 1/16"$			

Model: XG-7500R-6 Perforated Hinged Face - Lay In T-Bar

XG-7500R-6 - Lay in T-Bar



Side View



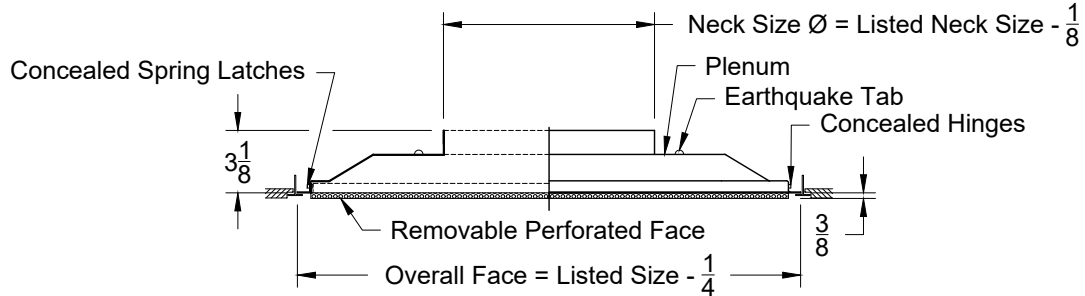
Face View

Listed Size
Nominal
Face
24 x 24
12 x 12

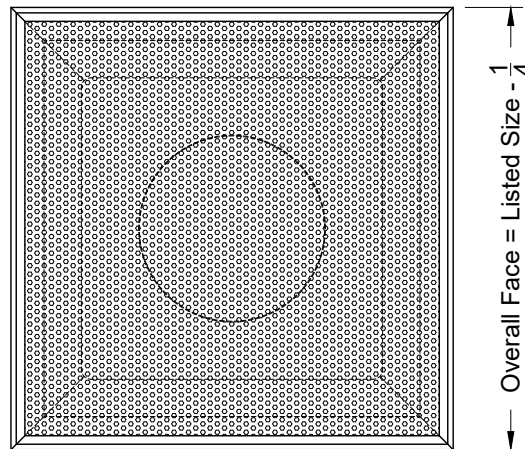
1. Available Finishes	2. Available Accessories	3. Available Options	4. Construction Details
Standard Finish: 01 White Finish 02 Satin Silver 03 Black 22 BBP - Black Backpan - White Face Optional Finish 28 Custom Color	XG-BDS - Butterfly Damper XG-RDS - Steel Radial Shutter Damper XG-TBPF - T-Bar Plaster Frame XG-G3 - Equalizing Grid (Round) XG-EQ - Earthquake Straps	Beaded Inlet Collar AF - Aluminum Face AL - Aluminum Face and Backpan	<ul style="list-style-type: none"> Steel Construction (Standard) Sizes Available only as listed Neck sizes available: 6, 8, 10, 12, 14 & 16 Face is Hinged
All Dimensions $\pm 1/16"$			

Model: XG-7500r-8 Perforated Hinged Face - Tegular T-Bar

XG-7500R-8 - Tegular T-Bar



Side View



Face View

Listed Size
Nominal
Face
24 x 24
12 x 12

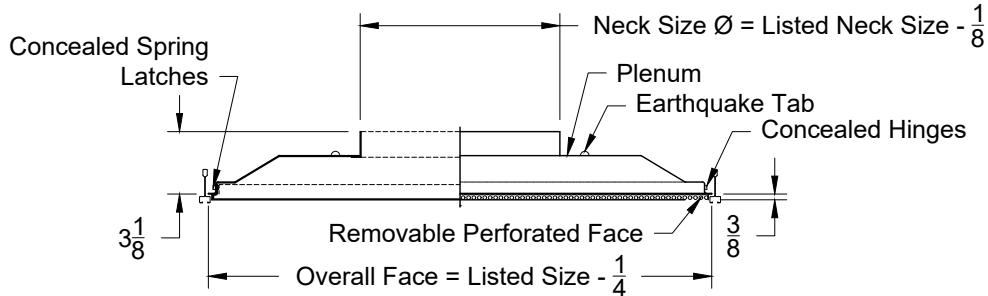
Overall Face = Listed Size - 1/4

1. Available Finishes	2. Available Accessories	3. Available Options	4. Construction Details
Standard Finish: 01 White Finish 02 Satin Silver 03 Black 22 BBP - Black Backpan - White Face Optional Finish 28 Custom Color	XG-BDS - Butterfly Damper XG-RDS - Steel Radial Shutter Damper XG-TBPF - T-Bar Plaster Frame XG-G3 - Equalizing Grid (Round) XG-FGBP - Fiberglass Backpan	Beaded Inlet Collar AF - Aluminum Face AL - Aluminum Face and Backpan	<ul style="list-style-type: none"> Steel Construction (Standard) Sizes Available only as listed Neck sizes available: 6, 8, 10, 12, 14 & 16 Face is Hinged

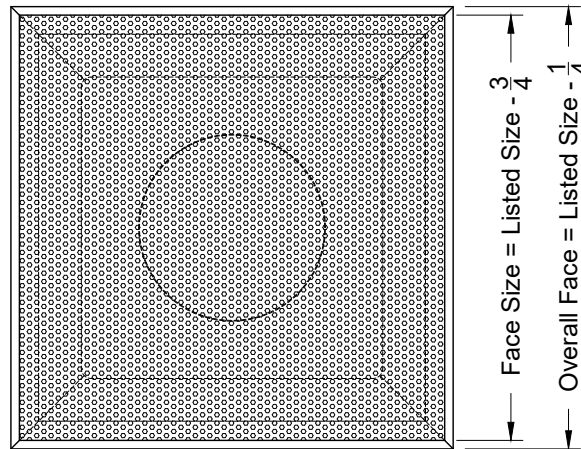
All Dimensions ±1/16"

Model: XG-7500R-9 Perforated Hinged Face - Bolt Slot/Donn Finline

XG-7500R-9 - Bolt Slot



Side View



Face View

Listed Size
Nominal
Face
24 x 24
12 x 12

1. Available Finishes	2. Available Accessories	3. Available Options	4. Construction Details
Standard Finish: 01 White Finish 02 Satin Silver 03 Black 22 BBP - Black Backpan - White Face Optional Finish 28 Custom Color	XG-BDS - Butterfly Damper XG-RDS - Steel Radial Shutter Damper XG-TBPF - T-Bar Plaster Frame XG-G3 - Equalizing Grid (Round) XG-FGBP - Fiberglass Backpan XG-EQ - Earthquake Straps	Beaded Inlet Collar	<ul style="list-style-type: none"> ● Steel Construction (Standard) ● Sizes Available only as listed ● Neck sizes available: 6, 8, 10, 12, 14 & 16 ● Face is Hinged
All Dimensions $\pm 1/16"$			