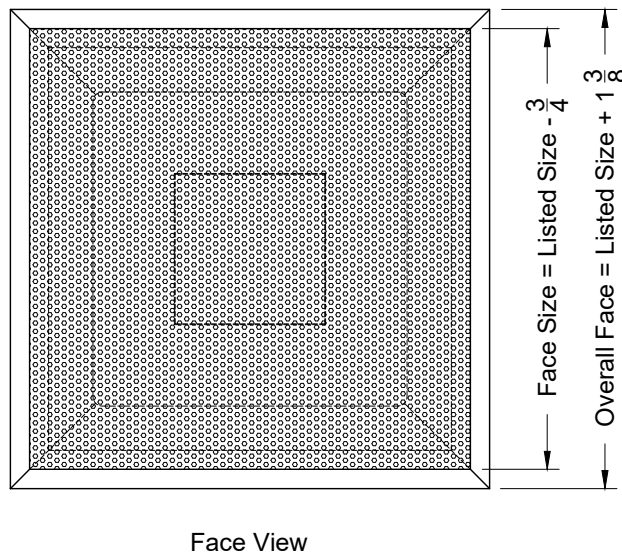
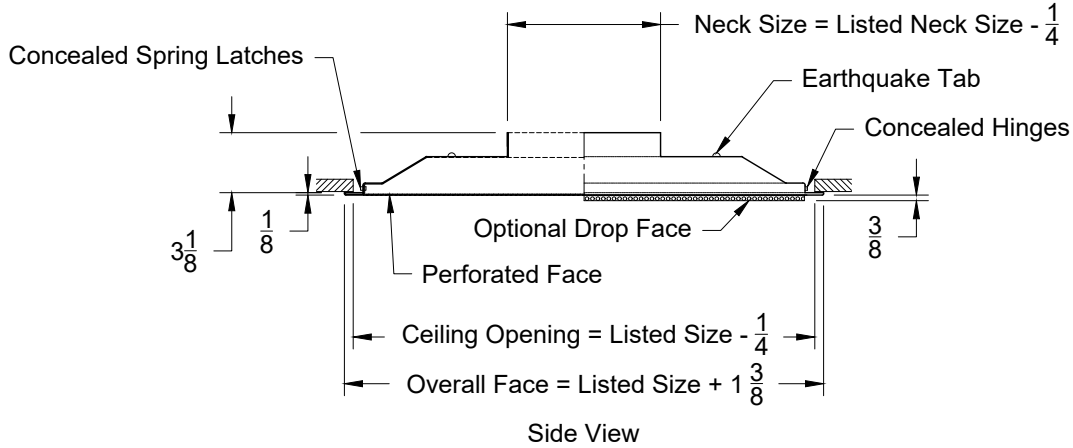


Model: XG-7550R-1 Perforated Hinged Face - Flush Surface Mount

### XG-7550R-1 - Flush Surface Mount



Listed Size
Nominal
Face
24 x 24

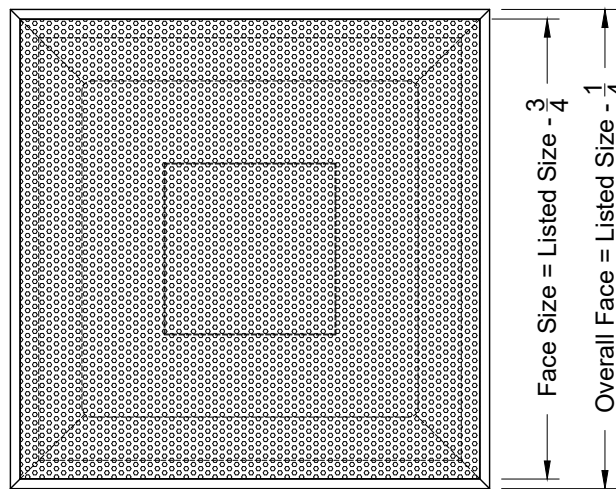
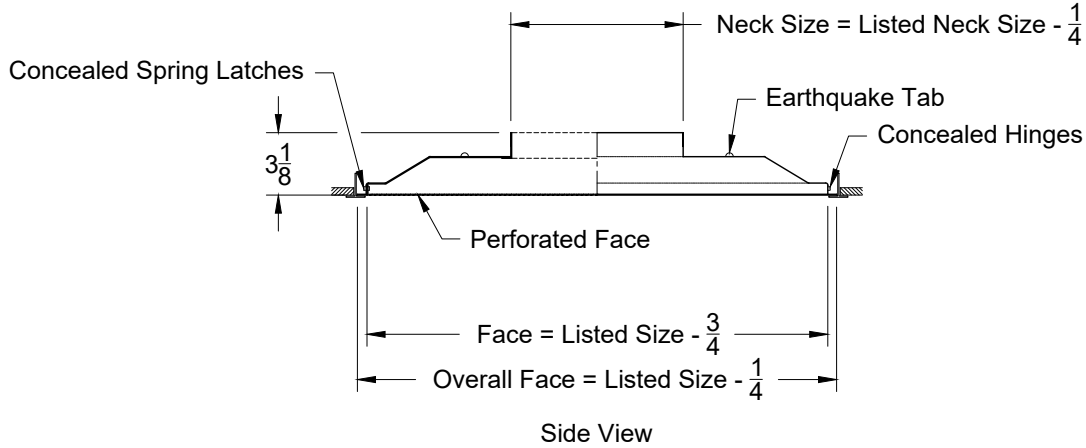
Square
Neck Inlets
6 x 6
8 x 8
10 x 10
12 x 12
14 x 14
16 x 16

1. Available Finishes	2. Available Accessories	3. Available Options	4. Construction Details
Standard Finish: 01 White Finish 02 Satin Silver 03 Black 22 BBP - Black Backpan - White Face Optional Finish 28 Custom Color	XG-OBD - Opposed Blade Damper Steel XG-OBDA - OBD Aluminum XG-TBPF - T-Bar Plaster Frame XG-L9 - Equalizing Grid (Sq./Rect.) XG-TR - Square to Round XG-TR DEEP - Deep Square to Round	AF - Aluminum Face DF - Drop Face	<ul style="list-style-type: none"> <li>Steel Construction (Standard)</li> <li>Sizes Available only as listed</li> <li>Face is Hinged</li> <li>Note: Units with 12x12 nominal face can only have a neck size of 10x10</li> </ul>

All Dimensions  $\pm 1/16"$

Model: XG-7550R-6 Perforated Hinged Face - Lay In T-Bar

### XG-7550R-6 - Lay in T-Bar



Listed Size
Nominal
Face
24 x 24

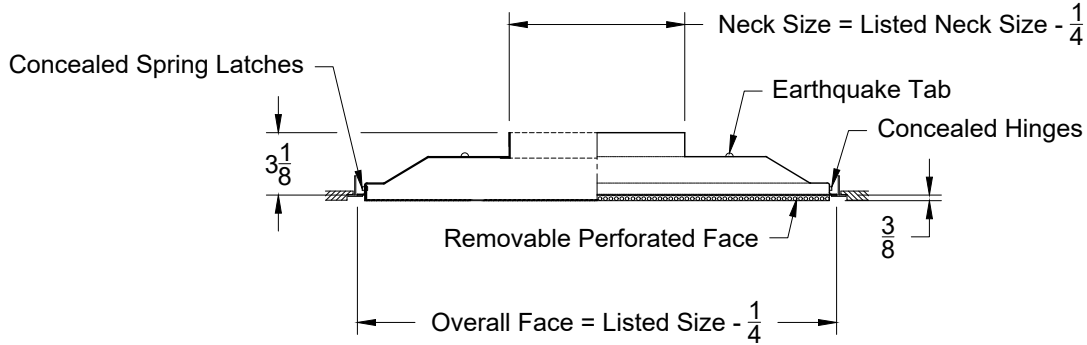
Square Neck Inlets
6 x 6
8 x 8
10 x 10
12 x 12
14 x 14
16 x 16
18 x 18
22 x 22

1. Available Finishes	2. Available Accessories	3. Available Options	4. Construction Details
Standard Finish: 01 White Finish 02 Satin Silver 03 Black 22 BBP - Black Backpan - White Face Optional Finish 28 Custom Color	XG-OBD - Opposed Blade Damper Steel XG-OBDA - OBD Aluminum XG-TBPF - T-Bar Plaster Frame XG-L9 - Equalizing Grid (Sq./Rect.) XG-TR - Square to Round XG-TR DEEP - Deep Square to Round XG-EQS - Earthquake Straps	AF - Aluminum Face AL - Aluminum Face and Backpan	<ul style="list-style-type: none"> <li>Steel Construction (Standard)</li> <li>Sizes Available only as listed</li> <li>Face is Hinged</li> <li>Note: Units with 12x12 nominal face can only have a neck size of 10x10</li> </ul>

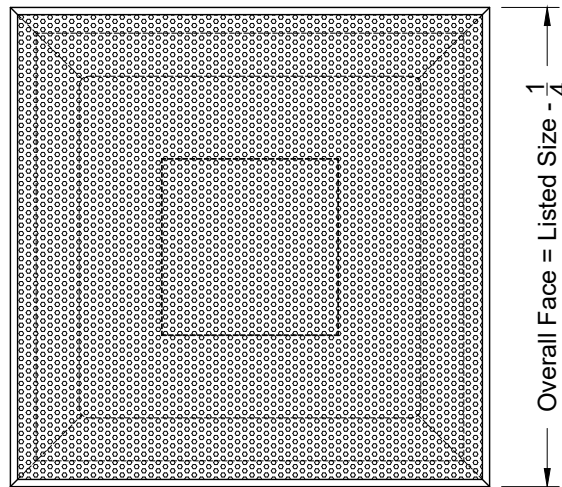
All Dimensions  $\pm 1/16"$

Model: XG-7550R-8 Perforated Hinged Face - Tegular T-Bar

### XG-7550R-8 - Tegular T-Bar



Side View



Face View

Listed Size
Nominal
Face
24 x 24

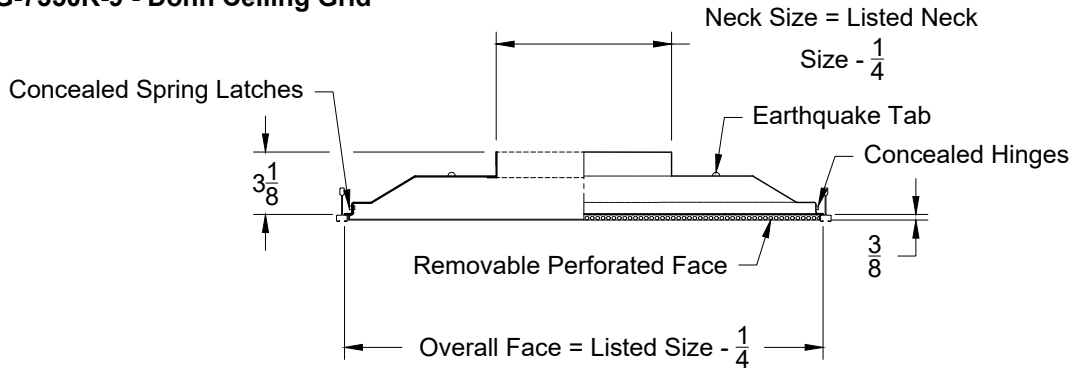
Square
Neck Inlets
6 x 6
8 x 8
10 x 10
12 x 12
14 x 14
16 x 16

1. Available Finishes	2. Available Accessories	3. Available Options	4. Construction Details
Standard Finish: 01 White Finish 02 Satin Silver 03 Black 22 BBP - Black Backpan - White Face Optional Finish 28 Custom Color	XG-OBD - Opposed Blade Damper Steel XG-OBDA - OBD Aluminum XG-L9 - Equalizing Grid (Sq./Rect.) XG-TR - Square to Round XG-TR DEEP - Deep Square to Round	AF - Aluminum Face AL - Aluminum Face and Backpan	<ul style="list-style-type: none"> <li>Steel Construction (Standard)</li> <li>Sizes Available only as listed</li> <li>Face is Hinged</li> <li>Note: Units with 12x12 nominal face can only have a neck size of 10x10</li> </ul>

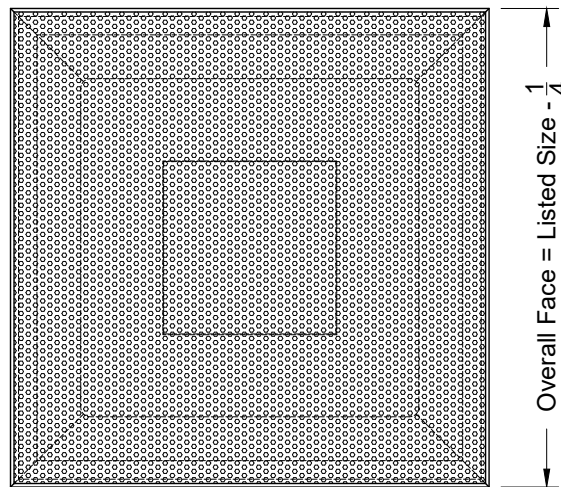
All Dimensions ±1/16"

Model: XG-7550R-9 Perforated Hinged Face - Bolt Slot/Donn Finline

### XG-7550R-9 - Donn Ceiling Grid



Side View



Face View

Listed Size
Nominal
Face
24 x 24

Square Neck Inlets
6 x 6
8 x 8
10 x 10
14 x 14
16 x 16

1. Available Finishes	2. Available Accessories	3. Available Options	4. Construction Details
Standard Finish: 01 White Finish 02 Satin Silver 03 Black 22 BBP - Black Backpan - White Face Optional Finish 28 Custom Color	XG-OBD - Opposed Blade Damper Steel XG-OBDA - OBD Aluminum XG-L9 - Equalizing Grid (Sq./Rect.) XG-EQ - Earthquake Straps XG-TR - Square to Round XG-TR DEEP - Deep Square to Round		<ul style="list-style-type: none"> <li>Steel Construction (Standard)</li> <li>Sizes Available only as listed</li> <li>Face is Hinged</li> <li>Note: Units with 12x12 nominal face can only have a neck size of 10x10</li> </ul>

All Dimensions ±1/16"