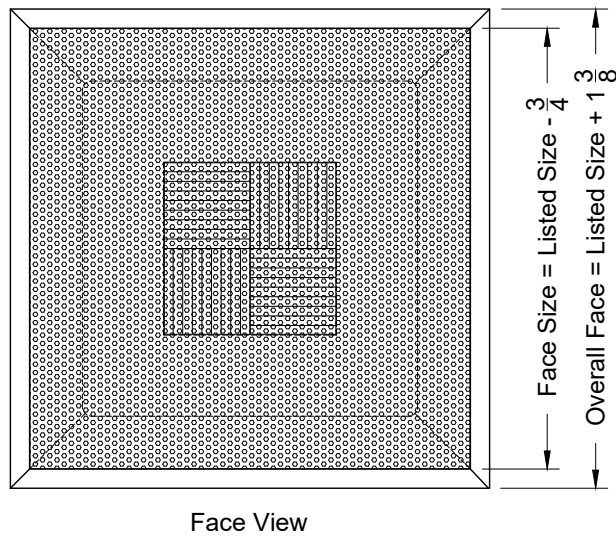
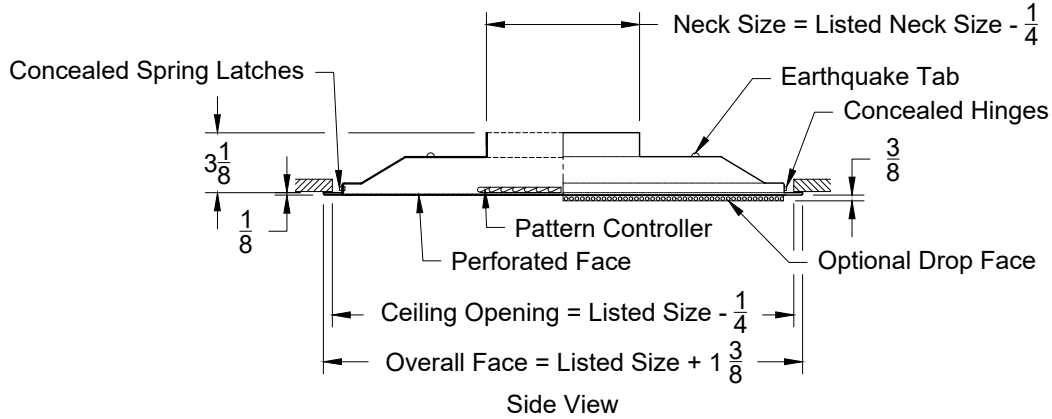


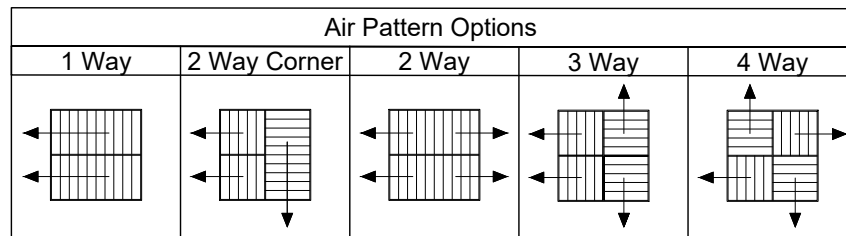
Model: XG-7550-1 Perforated Hinged Face with Face Mounted Pattern Controller - Flush Surface Mount

### XG-7550-1 - Flush Surface Mount



Listed Size
Nominal
Face
24 x 24

Available
Square Inlets
6 x 6
8 x 8
10 x 10
12 x 12
14 x 14
16 x 16



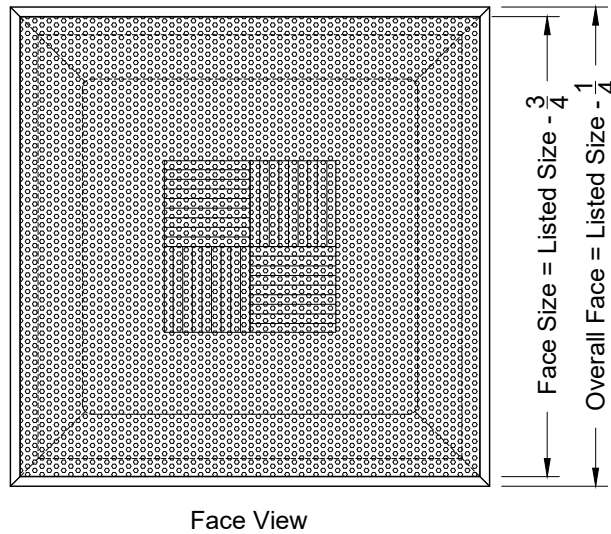
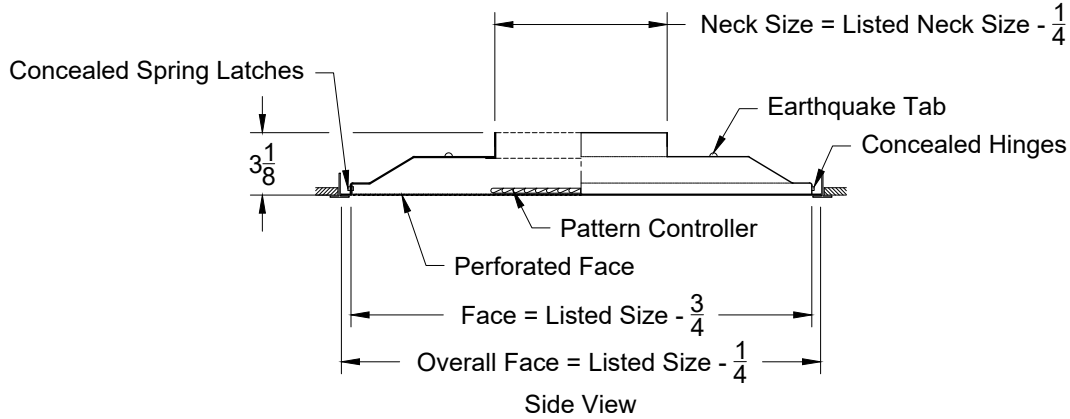
1. Available Finishes	2. Available Accessories	3. Available Options	4. Construction Details
Standard Finish: 01 White Finish 02 Satin Silver 03 Black 22 BBP - Black Backpan - White Face Optional Finish 28 Custom Color	XG-OBD - Opposed Blade Damper Steel XG-OBDA - OBD Aluminum XG-TBPF - T-Bar Plaster Frame XG-L9 - Equalizing Grid (Sq./Rect.)	AF - Aluminum Face DF - Drop Face AL - Aluminum Backpan and Face	<ul style="list-style-type: none"> <li>Steel Construction (Standard)</li> <li>Sizes Available only as listed</li> <li>Square Neck sizes available: 6, 8, 10, 12, 14 &amp; 16</li> <li>Face is Hinged</li> </ul>

All Dimensions  $\pm 1/16"$

Model: XG-7550-6

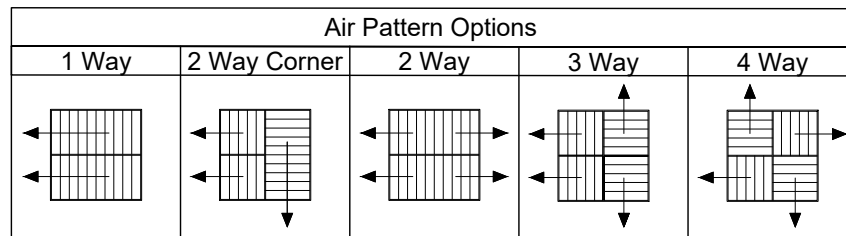
Perforated Hinged Face with Face Mounted Pattern Controller - Lay In T-Bar

### XG-7550-6 - Lay in T-Bar



Listed Size
Nominal
Face
24 x 24

Available
Square Inlets
6 x 6
8 x 8
10 x 10
12 x 12
14 x 14
16 x 16



#### 1. Available Finishes

Standard Finish:  
01 White  
Finish  
02 Satin Silver  
03 Black  
22 BBP - Black  
Backpan - White Face  
Optional Finish  
28 Custom Color

#### 2. Available Accessories

XG-OBD - Opposed Blade Damper Steel  
XG-OBDA - OBD Aluminum  
XG-TBPF - T-Bar Plaster Frame  
XG-L9 - Equalizing Grid (Sq./Rect.)  
XG-EQ - Earthquake Straps

#### 3. Available Options

AF - Aluminum Face  
DF - Drop Face  
AL - Aluminum  
Backpan and Face

#### 4. Construction Details

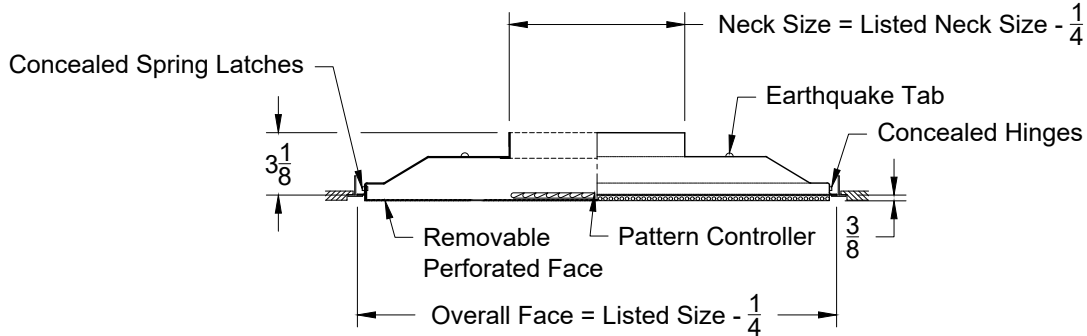
- Steel Construction (Standard)
- Sizes Available only as listed
- Square Neck sizes available:  
6, 8, 10, 12, 14 & 16
- Face is Hinged

All Dimensions  $\pm 1/16"$

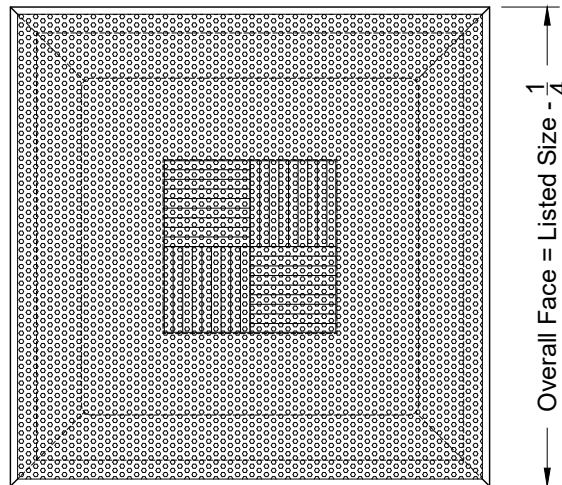
Model: XG-7550-8

Perforated Hinged Face with Face Mounted Pattern Controller - Tegular T-Bar

**XG-7550-8 - Tegular T-Bar**



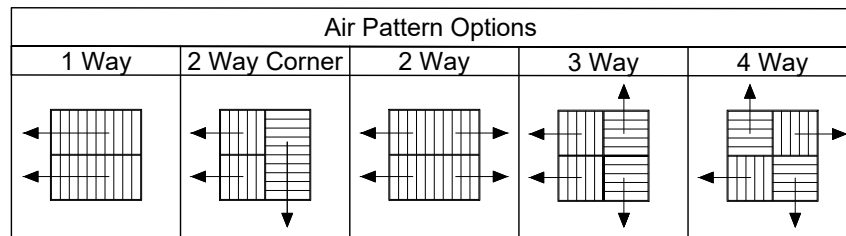
Side View



Face View

Listed Size
Nominal
Face
24 x 24

Available
Square Inlets
6 x 6
8 x 8
10 x 10
12 x 12
14 x 14
16 x 16



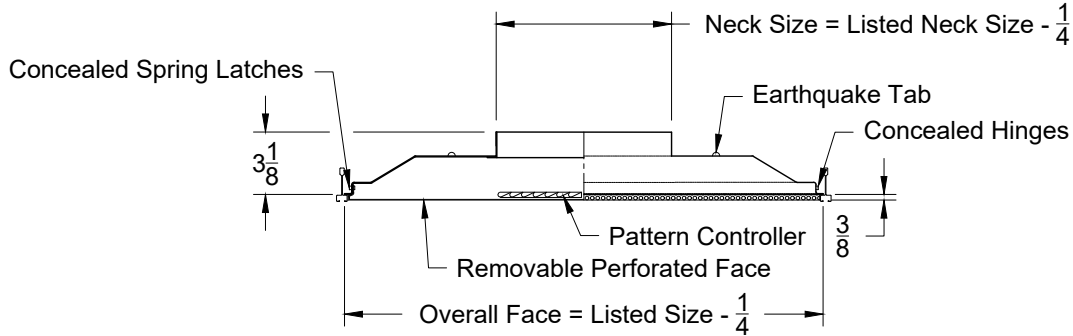
1. Available Finishes	2. Available Accessories	3. Available Options	4. Construction Details
Standard Finish: 01 White Finish 02 Satin Silver 03 Black 22 BBP - Black Backpan - White Face Optional Finish 28 Custom Color	XG-OBD - Opposed Blade Damper Steel XG-OBDA - OBD Aluminum XG-L9 - Equalizing Grid (Sq./Rect.)	AF - Aluminum Face DF - Drop Face AL - Aluminum Backpan and Face	<ul style="list-style-type: none"> <li>Steel Construction (Standard)</li> <li>Sizes Available only as listed</li> <li>Square Neck sizes available: 6, 8, 10, 12, 14 &amp; 16</li> <li>Face is Hinged</li> </ul>

All Dimensions ±1/16"

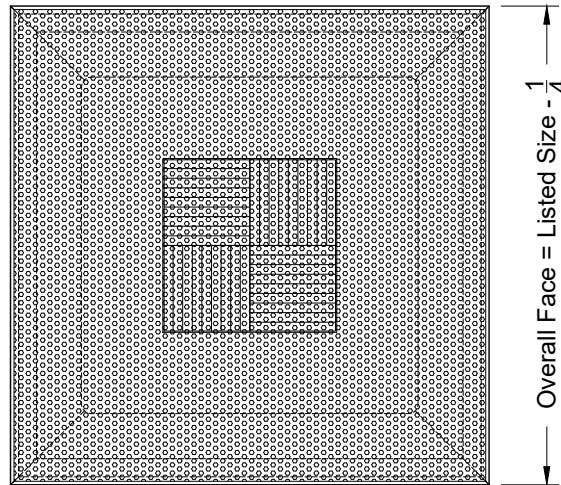
Model: XG-7550-9

Perforated Hinged Face with Face Mounted Pattern Controller - Bolt Slot/Donn Finline

### XG-7550-9 - Donn Ceiling Grid



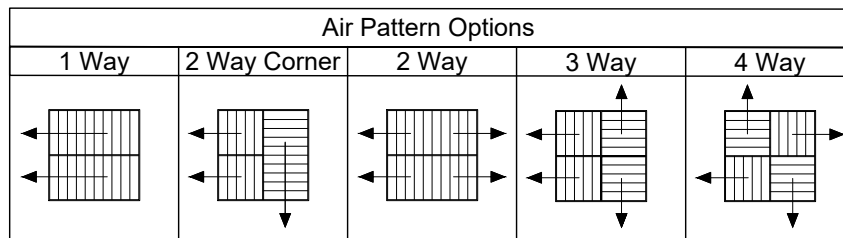
Side View



Face View

Listed Size
Nominal
Face
24 x 24

Available
Square Inlets
6 x 6
8 x 8
10 x 10
12 x 12
14 x 14
16 x 16



1. Available Finishes	2. Available Accessories	3. Available Options	4. Construction Details
Standard Finish: 01 White Finish 02 Satin Silver 03 Black 22 BBP - Black Backpan - White Face Optional Finish 28 Custom Color	XG-OBD - Opposed Blade Damper Steel XG-OBDA - OBD Aluminum XG-TBPF - T-Bar Plaster Frame XG-L9 - Equalizing Grid (Sq./Rect.) XG-EQ - Earthquake Straps	AF - Aluminum Face DF - Drop Face AL - Aluminum Backpan and Face	<ul style="list-style-type: none"> <li>Steel Construction (Standard)</li> <li>Sizes Available only as listed</li> <li>Square Neck sizes available: 6, 8, 10, 12, 14 &amp; 16</li> <li>Face is Hinged</li> </ul>

All Dimensions ±1/16"