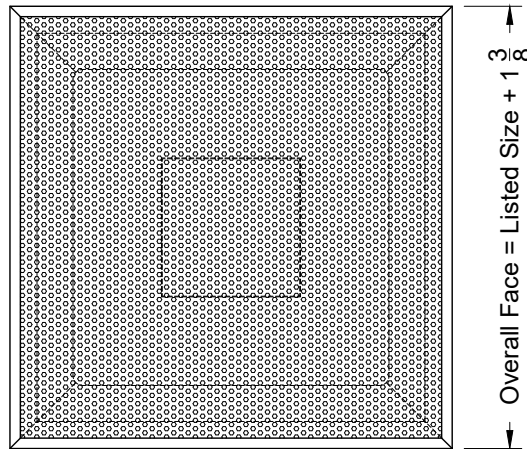
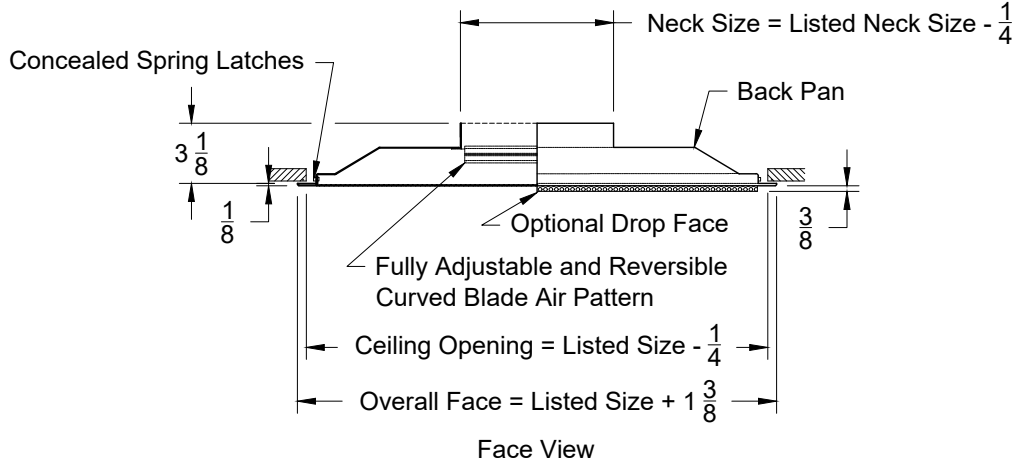


Model: XG-7650-1

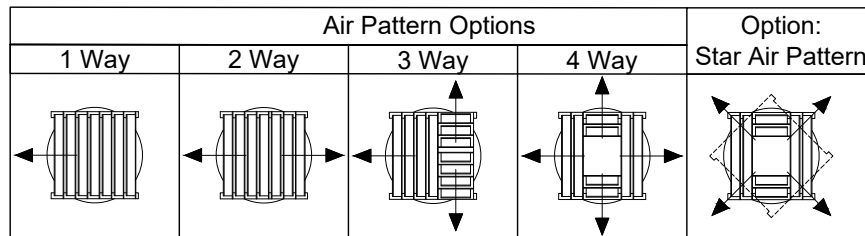
Perforated Hinged Face with Curved Blade Core - Flush Surface Mount

### XG-7650-1 - Flush Surface Mount



Listed Size
Nominal
Face
24 x 24

Available Square Inlets
6 X 6
8 X 8
10 X 10
12 X 12
14 X 14
16 X 16



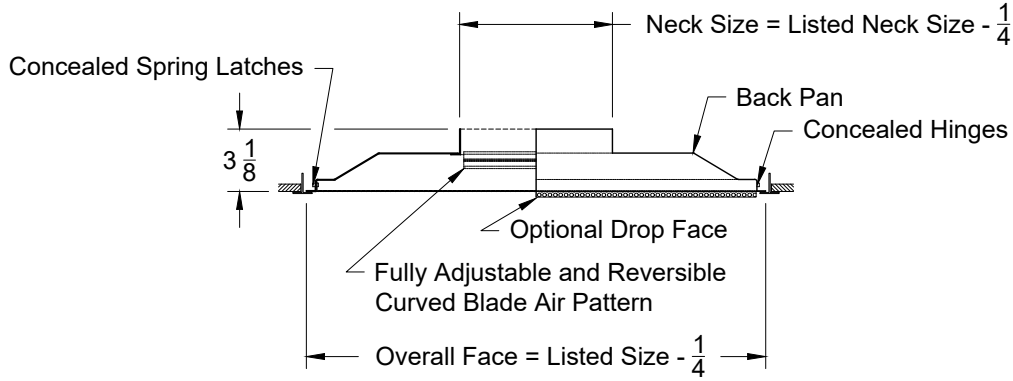
1. Available Finishes	2. Available Accessories	3. Available Options	4. Construction Details
Standard Finish: 01 White Finish 02 Satin Silver 03 Black 22 BBP - Black Backpan - White Face Optional Finish 28 Custom Color	XG-BDS - Butterfly Damper XG-RDS - Steel Radial Shutter Damper XG-TBPF - T-Bar Plaster Frame XG-FGBP - Fiberglass Backpan	2" Beaded Inlet Collar  AF - Aluminum Face DF - Drop Face	<ul style="list-style-type: none"> <li>Steel Construction (Standard)</li> <li>Sizes Available only as listed</li> <li>Square Neck sizes available: 6, 8, 10, 12, 14 &amp; 16</li> <li>Face is Hinged</li> </ul>

All Dimensions  $\pm 1/16"$

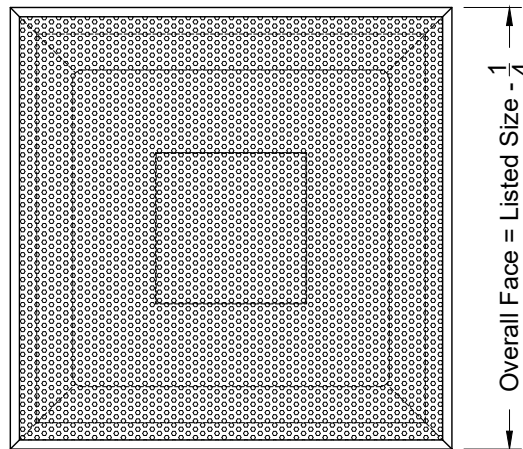
Model: XG-7650-6

Perforated Hinged Face with Curved Blade Core - Lay In T-Bar

### XG-7650-6 - Lay in T-Bar

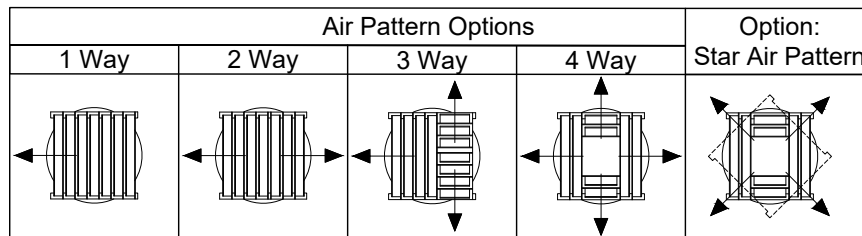


Face View



Listed Size
Nominal
Face
24 x 24

Available Square Inlets
6 X 6
8 X 8
10 X 10
12 X 12
14 X 14
16 X 16

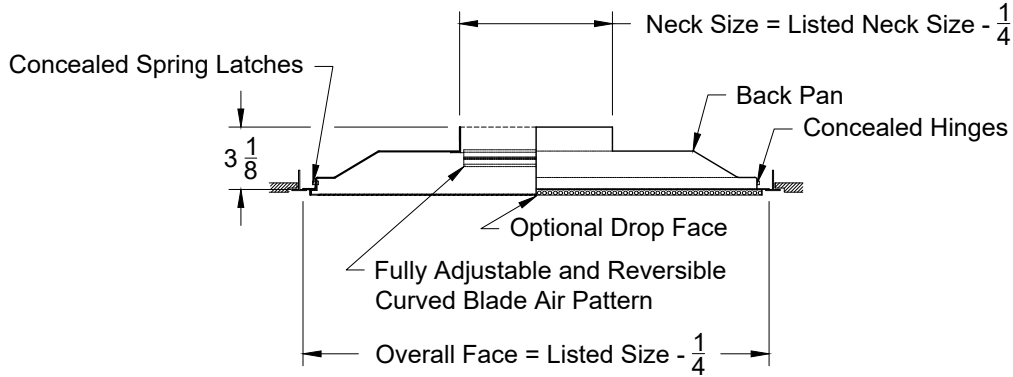


1. Available Finishes	2. Available Accessories	3. Available Options	4. Construction Details
Standard Finish: 01 White Finish 02 Satin Silver 03 Black 22 BBP - Black Backpan - White Face Optional Finish 28 Custom Color	XG-BDS - Butterfly Damper XG-RDS - Steel Radial Shutter Damper XG-TBPF - T-Bar Plaster Frame XG-FGBP - Fiberglass Backpan XG-EQ - Earthquake Straps	2" Beaded Inlet Collar  AF - Aluminum Face AL - Aluminum Backpan and Face	<ul style="list-style-type: none"> <li>Steel Construction (Standard)</li> <li>Sizes Available only as listed</li> <li>Square Neck sizes available: 6, 8, 10, 12, 14 &amp; 16</li> <li>Face is Hinged</li> </ul>

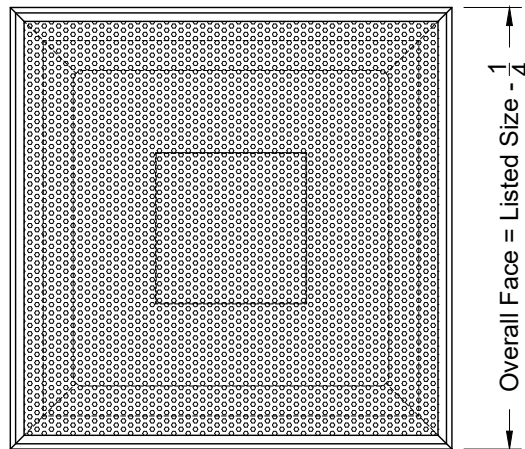
All Dimensions  $\pm 1/16"$

Model: XG-7650-8 Perforated Hinged Face with Curved Blade Core - Tegular T-Bar

### XG-7650-8 - Tegular T-Bar

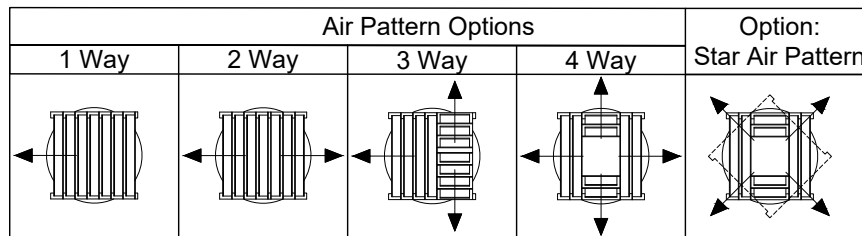


Face View



Listed Size
Nominal
Face
24 x 24

Available Square Inlets
6 X 6
8 X 8
10 X 10
12 X 12
14 X 14
16 X 16



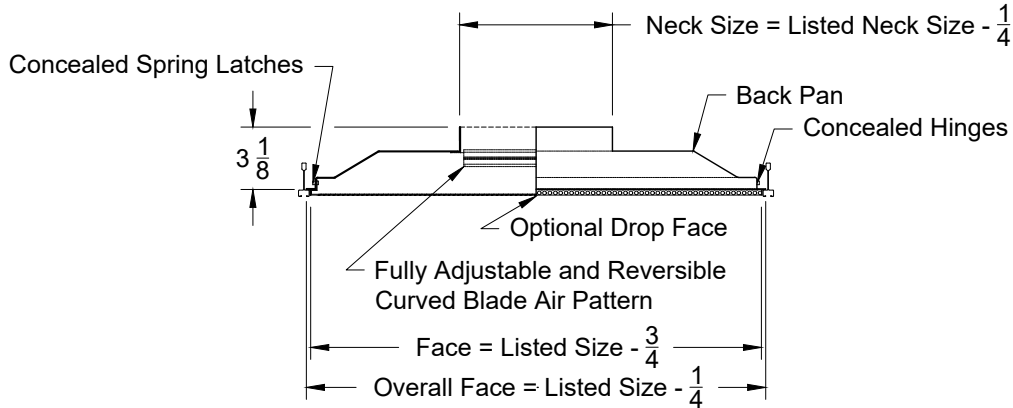
1. Available Finishes	2. Available Accessories	3. Available Options	4. Construction Details
Standard Finish: 01 White Finish 02 Satin Silver 03 Black 22 BBP - Black Backpan - White Face Optional Finish 28 Custom Color	XG-BDS - Butterfly Damper XG-RDS - Steel Radial Shutter Damper XG-FGBP - Fiberglass Backpan	2" Beaded Inlet Collar  AF - Aluminum Face AL - Aluminum Backpan and Face	<ul style="list-style-type: none"> <li>Steel Construction (Standard)</li> <li>Sizes Available only as listed</li> <li>Square Neck sizes available: 6, 8, 10, 12, 14 &amp; 16</li> <li>Face is Hinged</li> </ul>

All Dimensions  $\pm 1/16"$

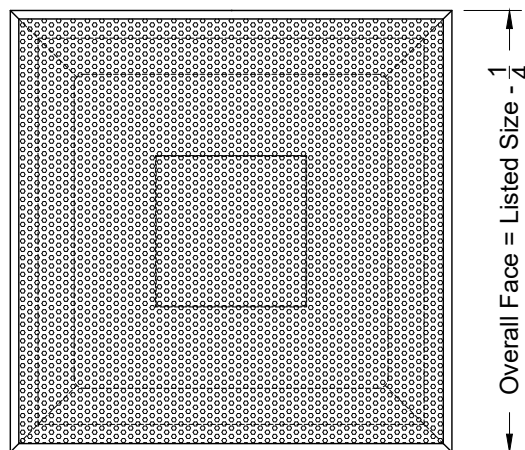
Model: XG-7650-9

Perforated Hinged Face with Curved Blade Core - Bolt Slot/Donn Finline

### XG-7650-9 - Bolt Slot/Donn Finline

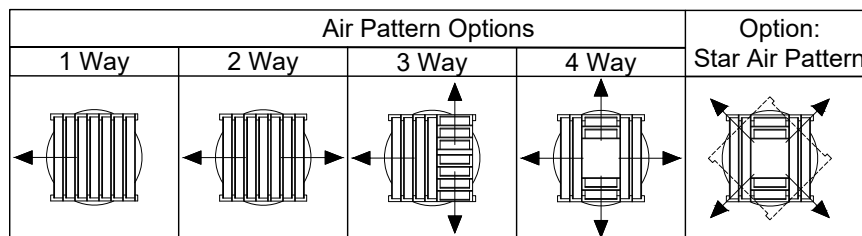


Face View



Listed Size
Nominal
Face
24 x 24

Available
Square Inlets
6 X 6
8 X 8
10 X 10
12 X 12
14 X 14
16 X 16



1. Available Finishes	2. Available Accessories	3. Available Options	4. Construction Details
Standard Finish: 01 White Finish 02 Satin Silver 03 Black 22 BBP - Black Backpan - White Face Optional Finish 28 Custom Color	XG-BDS - Butterfly Damper XG-RDS - Steel Radial Shutter Damper XG-FGBP - Fiberglass Backpan XG-EQ - Earthquake Straps	2" Beaded Inlet Collar	<ul style="list-style-type: none"> <li>Steel Construction (Standard)</li> <li>Sizes Available only as listed</li> <li>Square Neck sizes available: 6, 8, 10, 12, 14 &amp; 16</li> <li>Face is Hinged</li> </ul>

All Dimensions ±1/16"