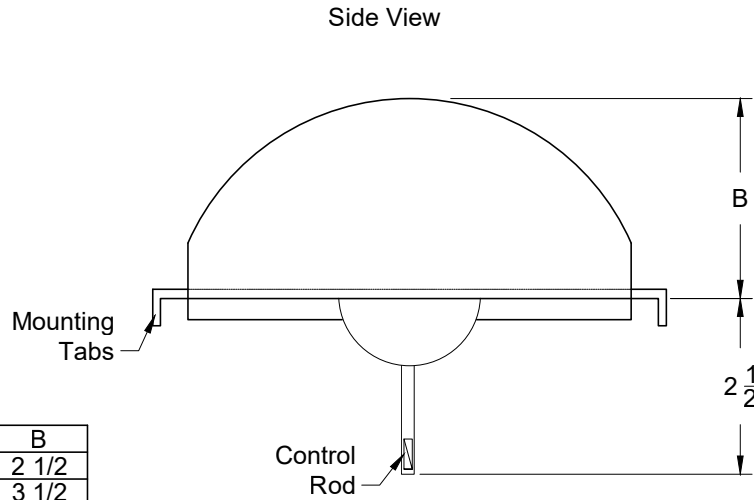


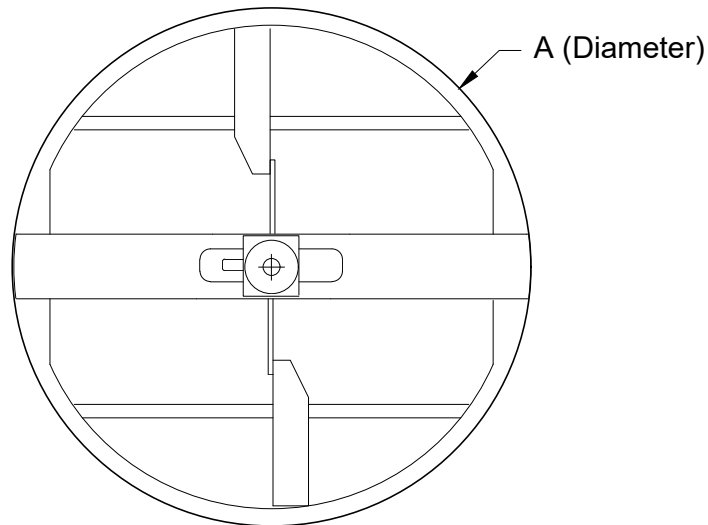
Model: XG-BDS-SS Butterfly Damper - Neck Mounted

XG-BDS-SS - Neck Mounted



Model	A	B
6	5 3/4	2 1/2
8	7 3/4	3 1/2
10	9 3/4	4 1/2
12	11 3/4	5 1/2
14	13 3/4	6 1/2
15	14 3/4	7
16	15 3/4	7 1/2

Face View



1. Available Finishes	2. Available Accessories	3. Available Options	4. Construction Details
Standard Finish: 24 Mill		316SS - 316 Stainless Steel	<ul style="list-style-type: none"> 304 Stainless Steel Construction (Standard) Only Available in Listed Sizes
			All Dimensions ±1/16"