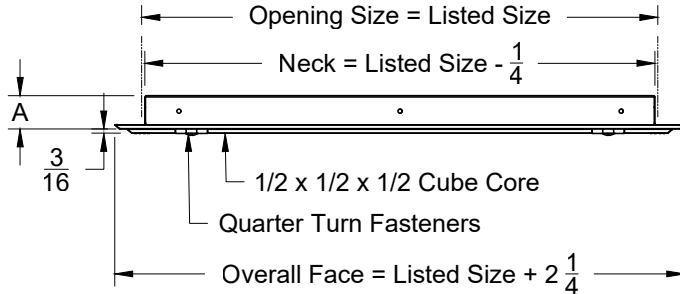


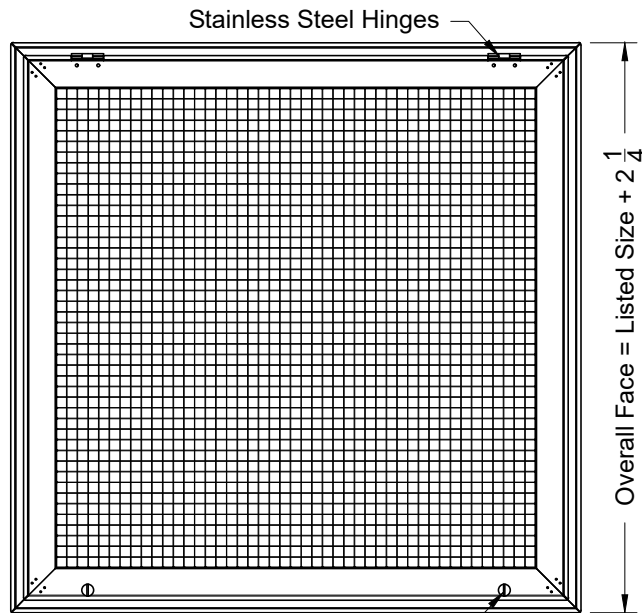
Model: XG-CC5FSS-1 Cube Core Filter Grille - Flush Surface Mount

### XG-CC5FSS-1 - Flush Surface Mount



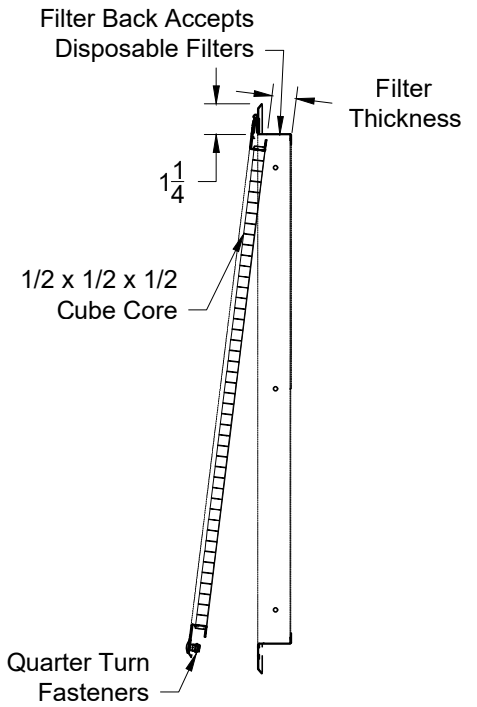
Neck Size		
	Min	Max
Width	4	48
Depth	4	48

End View



Quarter Turn Fasteners

Face View



Side View

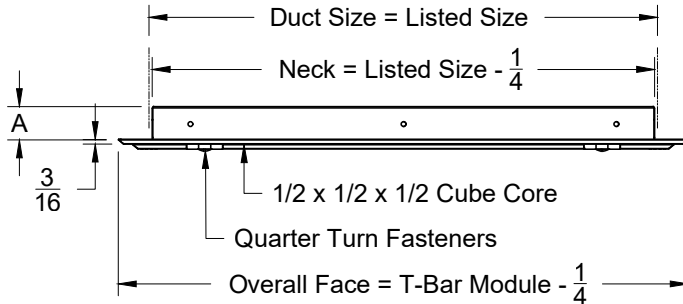
Disposable Filter Thickness	A
1	1 7/8
2	2 7/8

1. Available Finishes	2. Available Accessories	3. Available Options	4. Construction Details
Standard Finish: 01 White 23 Satin Polish	XG-OBDS - S.S. Opposed Blade Damper XG-TBPFSS - S.S. T-Bar Plaster Frame XG-LIPFSS - S.S. Lay In Plaster Frame XG-PFSS - S.S. Plaster Frame	316SS - 316 Stainless Steel IS-SS - Insect Screen Stainless Steel 1"FF - 1" Filter Frame Rack 2"FF - 1" Filter Frame Rack	<ul style="list-style-type: none"> <li>304 Stainless Steel Construction (Standard)</li> <li>Only Available in Listed Sizes</li> </ul>

All Dimensions ±1/16"

Model: XG-CC5FSS-6 Cube Core Filter Grille - Lay In T-Bar

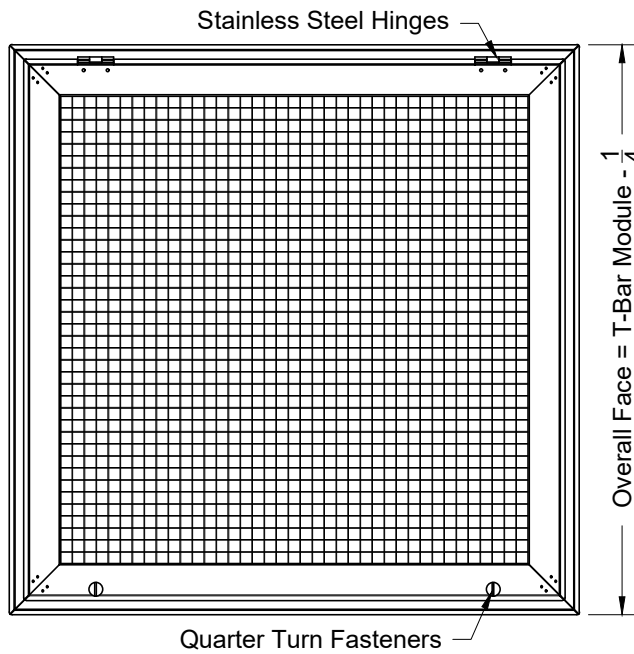
### XG-CC5FSS-6 - Lay In T-Bar



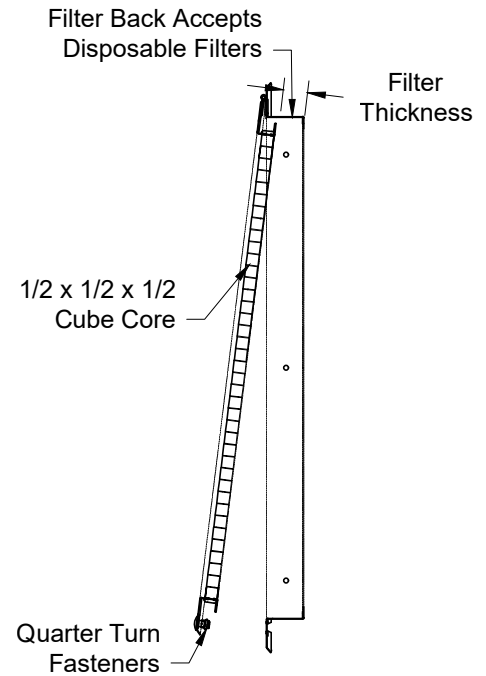
End View

Listed Sizes
12 x 12
12 x 24
24 x 24
48 x 24

Neck Size		
	Min	Max
Width	4	46
Depth	4	22



Face View



Side View

Disposable Filter Thickness	A
1	1 7/8
2	2 7/8

1. Available Finishes	2. Available Accessories	3. Available Options	4. Construction Details
Standard Finish: 01 White 23 Satin Polish	XG-OBDS - S.S. Opposed Blade Damper XG-TBPFSS - S.S. T-Bar Plaster Frame XG-LIPFSS - S.S. Lay In Plaster Frame XG-PFSS - S.S. Plaster Frame	316SS - 316 Stainless Steel IS-SS - Insect Screen Stainless Steel 1"FF - 1" Filter Frame Rack 2"FF - 1" Filter Frame Rack	<ul style="list-style-type: none"> <li>304 Stainless Steel Construction (Standard)</li> <li>Only Available in Listed Sizes</li> </ul>

All Dimensions ±1/16"