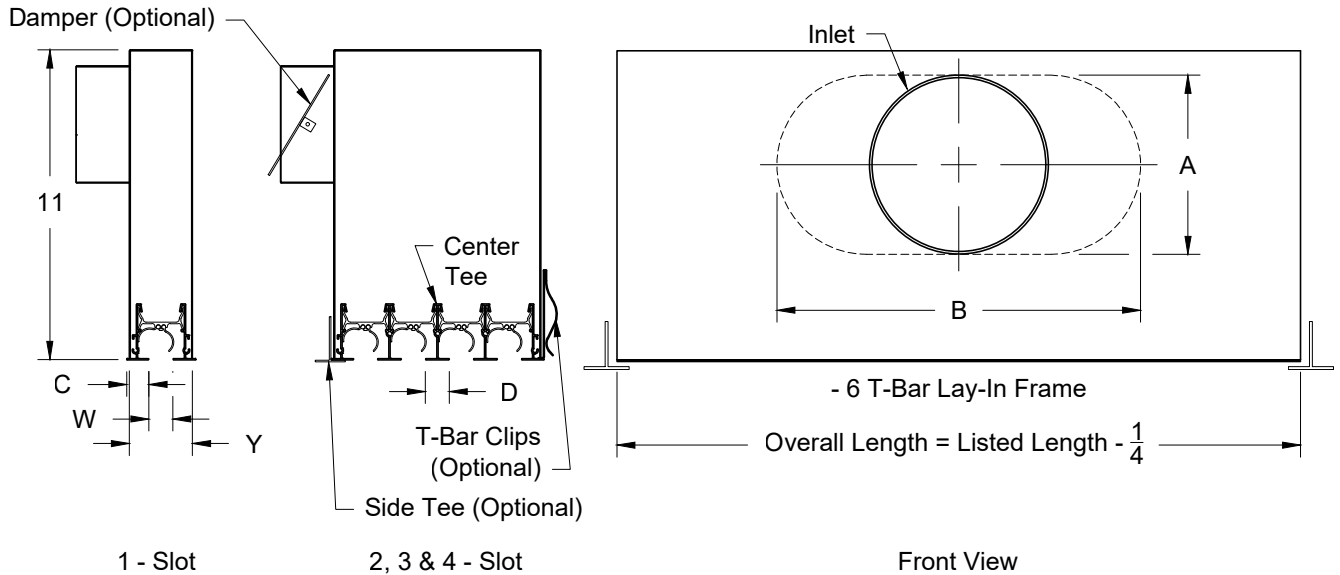
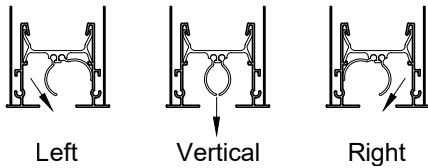


Model: XG-PHPS-IT-6    Supply - Non Insulated - "Ice Tongs" Blades - Lay In T-Bar

### XG-PHPS-IT-6 - Lay In T-Bar



#### Air Flow Options



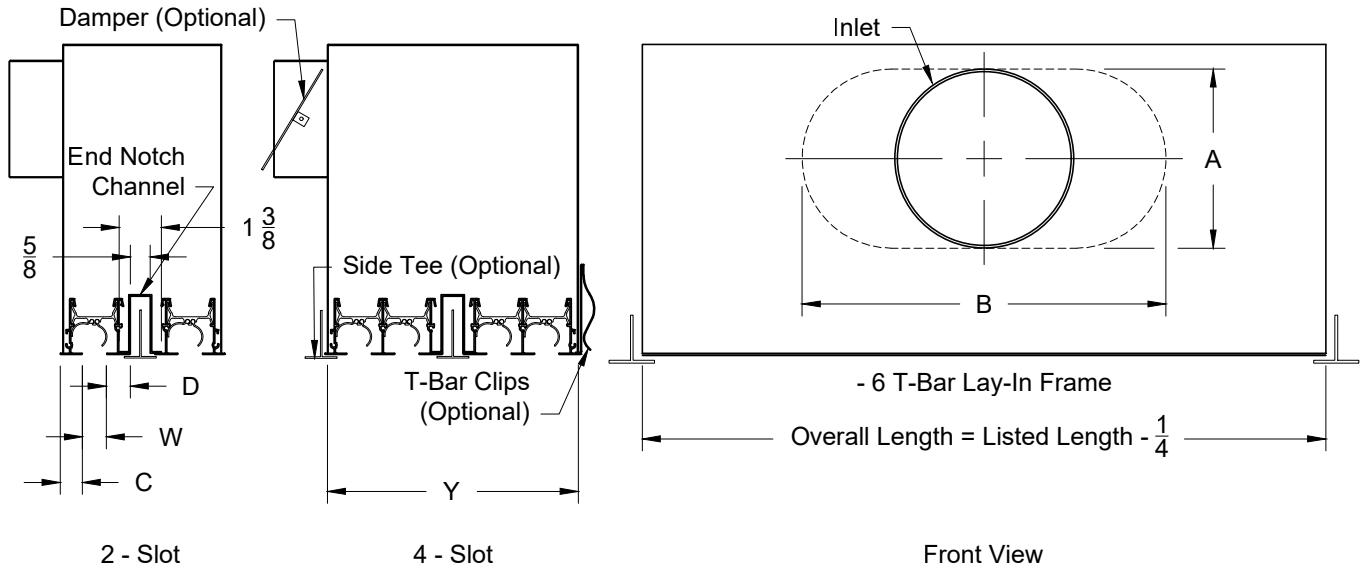
Inlet Chart			
Size	Type	A	B
6	Round	5 7/8	-
8	Oval	5 7/8	8 15/16
10	Oval	5 7/8	12 1/16
12	Oval	5 7/8	15 1/4
14	Oval	5 7/8	18 7/16

Model	Slot (W)	Diffuser Width (Y)				Flange (C)	Center Tee (D)
		1 - Slot	2 - Slot	3 - Slot	4 - Slot		
PHPS-IT-75-9	3/4	1 15/16	3 7/16	4 15/16	6 7/16	3/4	3/4
PHPS-IT-10-9	1	2 3/16	3 15/16	5 11/16	7 7/16	3/4	3/4

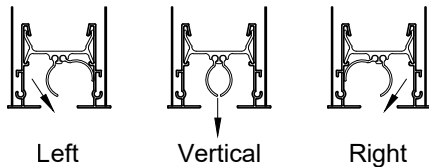
1. Available Finishes	2. Available Accessories	3. Available Options	4. Construction Details
Standard Finish: 25 - White Tee/Black 26 - All White 27 - All Black	XG-ID - Quadrant Inlet Damper XG-ROD - Remote Operated Damper XG-TBPF - T-Bar Plaster Frame	T-O - One Tee, Inlet Side O-T - One Tee, Opposite Side T-T - Two Tees, Both Sides C-O - One Clip, Inlet Side O-C - One Clip, Opposite Side C-C - Two Clip, Both Sides C-T - Clip Inlet, Tee Opposite T-C - Tee Inlet, Clip Opposite CN - Cross Notch NB - No Blades	<ul style="list-style-type: none"> <li>● Cross Notch: Available for 48" Only</li> <li>● Split Deflector, only available for the 36", 48" and 60" Units</li> <li>● Nominal lengths available: 24, 36, 48, 60</li> <li>● Available: 1, 2, 3 or 4 Slots</li> <li>● Steel Construction with Extruded Aluminum Tee's and Pattern Controller's</li> </ul> All Dimensions ±1/16"

Model: XG-PHPS-IT-6 EN Supply - Non Insulated - "Ice Tongs" Blades - Lay In T-Bar - End Notch

### XG-PHPS-IT-6 - Lay In T-Bar - End Notch



#### Air Flow Options



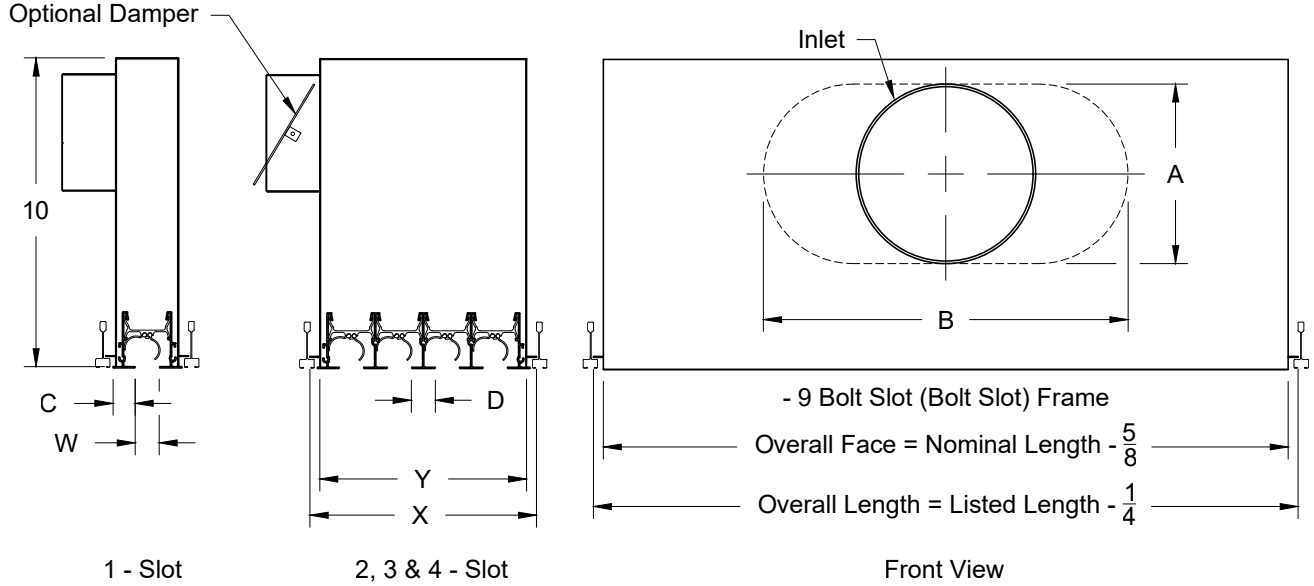
Inlet Chart			
Size	Type	A	B
6	Round	5 7/8	-
8	Oval	5 7/8	8 15/16
10	Oval	5 7/8	12 1/16
12	Oval	5 7/8	15 1/4
14	Oval	5 7/8	18 7/16

Model	Slot (W)	Diffuser Width (Y)		C	Center Tee (D)
		2 - Slot	4 - Slot		
XG-PHPS-IT-75-6 EN	3/4	4 13/16	7 13/16	3/4	3/4
XG-PHPS-IT-10-6 EN	1	5 5/16	8 13/16	3/4	3/4

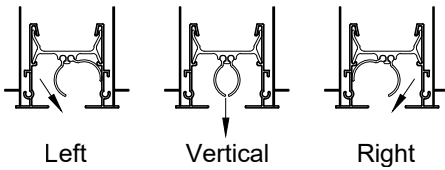
1. Available Finishes	2. Available Accessories	3. Available Options	4. Construction Details
Standard Finish: 25 - White Tee/Black 26 - All White 27 - All Black	XG-ID - Quadrant Inlet Damper XG-ROD - Remote Operated Damper XG-TBPF - T-Bar Plaster Frame	T-O - One Tee, Inlet Side O-T - One Tee, Opposite Side T-T - Two Tees, Both Sides C-O - One Clip, Inlet Side O-C - One Clip, Opposite Side C-C - Two Clip, Both Sides C-T - Clip Inlet, Tee Opposite T-C - Tee Inlet, Clip Opposite CN - Cross Notch NB - No Blades	<ul style="list-style-type: none"> <li>● Cross Notch: Available for 48" Only</li> <li>● Split Deflector, only available for the 36", 48" and 60" Units</li> <li>● Nominal lengths available: 24, 36, 48, 60</li> <li>● Available: 1, 2, 3 or 4 Slots</li> <li>● Steel Construction with Extruded Aluminum Tee's and Pattern Controller's</li> </ul> All Dimensions $\pm 1/16"$

Model: XG-PHPS-IT-9    Supply - Non Insulated - "Ice Tongs" Blades - Bolt Slot

#### XG-PHPS-IT-9 - Bolt Slot



#### Air Flow Options



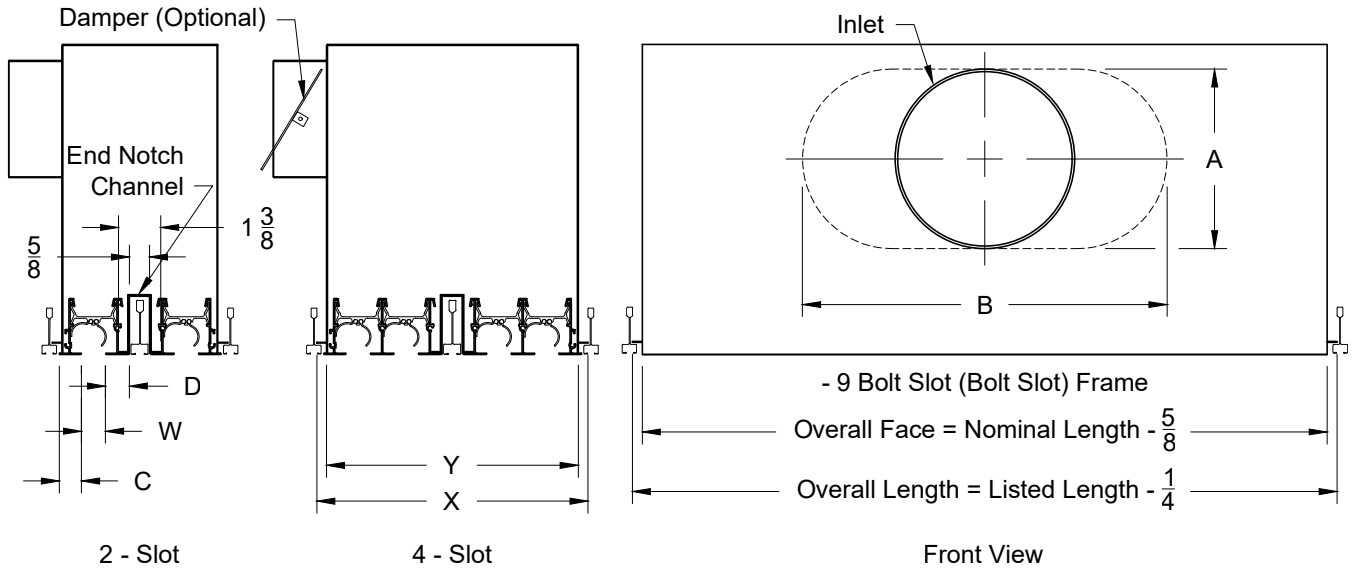
Inlet Chart			
Size	Type	A	B
6	Round	5 7/8	-
8	Oval	5 7/8	8 15/16
10	Oval	5 7/8	12 1/16
12	Oval	5 7/8	15 1/4
14	Oval	5 7/8	18 7/16

Model	Slot (W)	Diffuser Face Width								C	Center T (D)
		(X)	(Y)	(X)	(Y)	(X)	(Y)	(X)	(Y)		
		1 - Slot	1 - Slot	2 - Slot	2 - Slot	3 - Slot	3 - Slot	4 - Slot	4 - Slot		
PHPS-IT-75-9	3/4	2	1 15/16	3 1/2	3 7/16	5	4 15/16	6 1/2	6 7/16	3/4	3/4
PHPS-IT-10-9	1	2 1/4	2 3/16	4	3 15/16	5 3/4	5 11/16	7 1/2	7 7/16	3/4	3/4

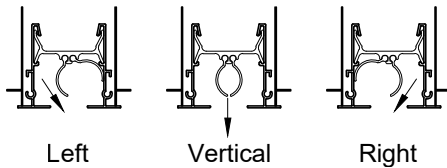
1. Available Finishes	2. Available Accessories	3. Available Options	4. Construction Details
Standard Finish: 25 - White Tee/Black 26 - All White 27 - All Black	XG-ID - Quadrant Inlet Damper XG-ROD - Remote Operated Damper	CN - Cross Notch NB - No Blades	<ul style="list-style-type: none"> <li>• Cross Notch: Available for 48" Only</li> <li>• Split Deflector, only available for the 36", 48" and 60" Units</li> <li>• Nominal lengths available: 24, 36, 48, 60</li> <li>• Available: 1, 2, 3 or 4 Slots</li> <li>• Steel Construction with Extruded Aluminum Tee's and Pattern Controller's</li> </ul> All Dimensions ±1/16"

Model: XG-PHPS-IT-9 EN Supply - Non Insulated - "Ice Tongs" Blades - Bolt Slot - End Notch

### XG-PHPS-IT-9 - Bolt Slot - End Notch



#### Air Flow Options



Inlet Chart			
Size	Type	A	B
6	Round	5 7/8	-
8	Oval	5 7/8	8 15/16
10	Oval	5 7/8	12 1/16
12	Oval	5 7/8	15 1/4
14	Oval	5 7/8	18 7/16

Model	Slot (W)	(X)	(Y)	(X)	(Y)	C	Center Tee (D)
		2 - Slot	2 - Slot	4 - Slot	4 - Slot		
XG-PHPS-IT-75-9 EN	3/4	4 13/16	4 3/4	7 13/16	7 3/4	3/4	3/4
XG-PHPS-IT-10-9 EN	1	5 5/16	5 1/4	8 13/16	8 3/4	3/4	3/4

1. Available Finishes	2. Available Accessories	3. Available Options	4. Construction Details
Standard Finish: 25 - White Tee/Black 26 - All White 27 - All Black	XG-ID - Quadrant Inlet Damper XG-ROD - Remote Operated Damper	CN - Cross Notch NB - No Blades	<ul style="list-style-type: none"> <li>• Cross Notch: Available for 48" Only</li> <li>• Split Deflector, only available for the 36", 48" and 60" Units</li> <li>• Nominal lengths available: 24, 36, 48, 60</li> <li>• Available: 1, 2, 3 or 4 Slots</li> <li>• Steel Construction with Extruded Aluminum Tee's and Pattern Controller's</li> </ul> All Dimensions ±1/16"