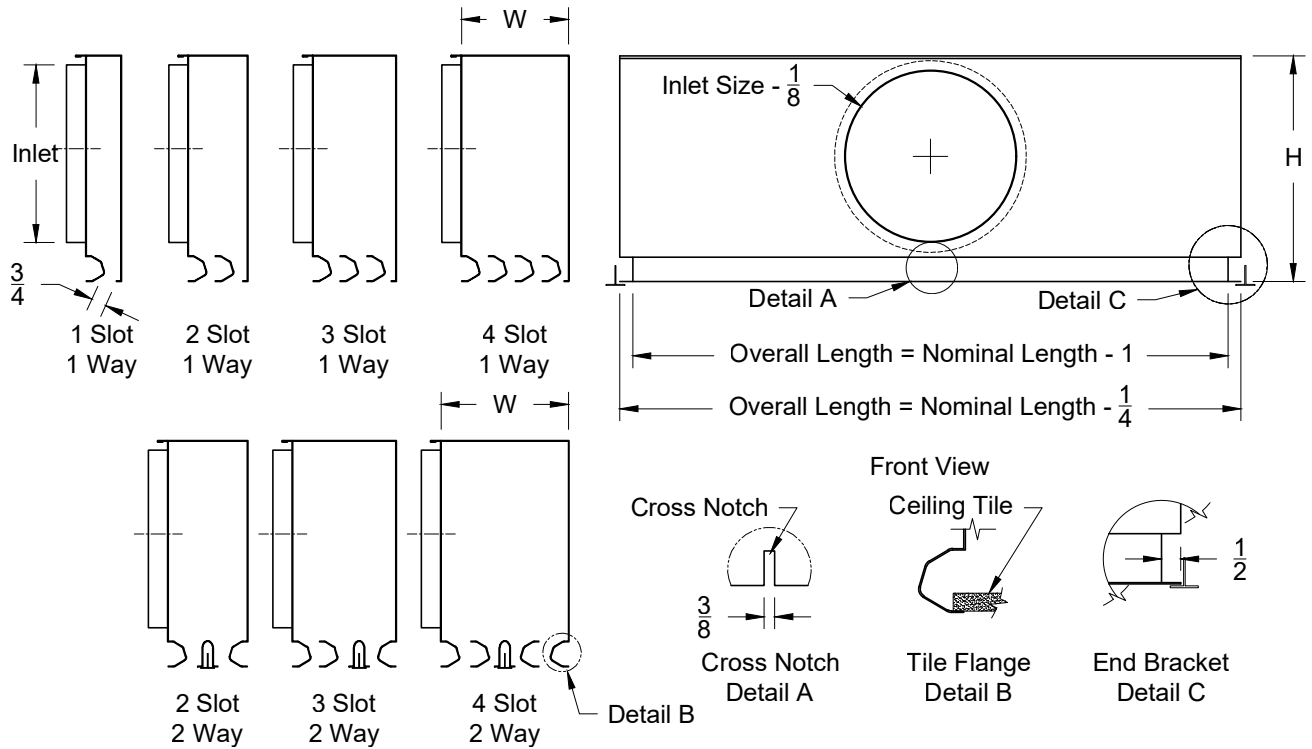


Model: XG-PHPS-J-6 Supply - One or Two Way Deflection - Non Insulated - Lay In T-Bar

XG-PHPS-J-6 - Lay In T-Bar



Round Inlet Chart	
Inlet Ø	Unit Height (H)
5	9 1/4
6	9 1/4
7	12 7/16
8	12 7/16
9	12 7/16
10	14

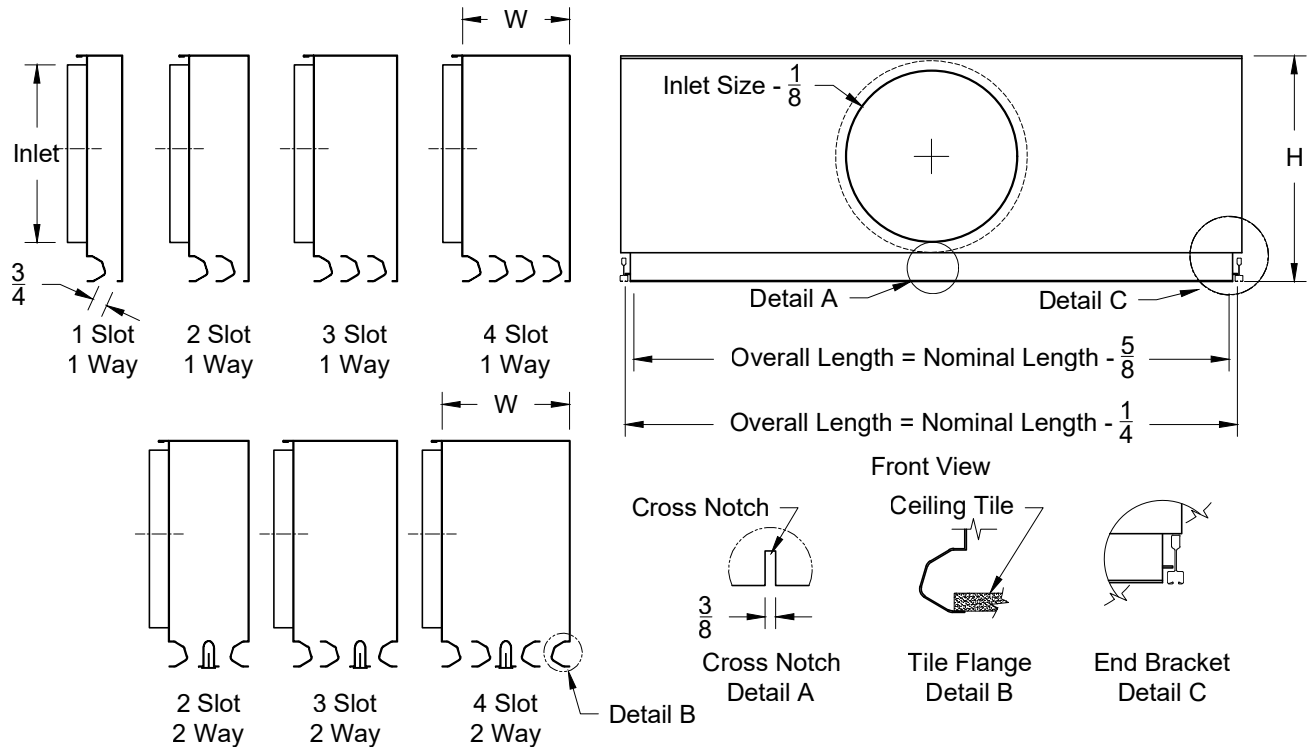
Model	Slots	Pattern	W
XG-PHPS-J11-6	1	1-Way	1 13/16
XG-PHPS-J21-6	2	1-Way	3 1/16
XG-PHPS-J22-6	2	2-Way	4 1/8
XG-PHPS-J31-6	3	1-Way	4 5/16
XG-PHPS-J32-6	3	2-Way	5 3/8
XG-PHPS-J41-6	4	1-Way	5 9/16
XG-PHPS-J42-6	4	2-Way	6 5/8

1. Available Finishes	2. Available Accessories	3. Available Options	4. Construction Details
Standard Finish: 26 - All White 27 - All Black		T-O - One Tee, Inlet Side O-T - One Tee, Opposite Side T-T - Two Tees, Both Sides C-O - One Clip, Inlet Side O-C - One Clip, Opposite Side C-C - Two Clip, Both Sides CN - Cross Notch	<ul style="list-style-type: none"> • Cross Notch: Available for 48" Only • Nominal lengths available: 24, 36, 48, 60 • Galvanized Steel Construction

All Dimensions ±1/16"

Model: XG-PHPS-J-9 Supply - One or Two Way Deflection - Non Insulated - Bolt Slot

XG-PHPS-J-9 - Bolt Slot



Round Inlet Chart	
Inlet Ø	Unit Height (H)
5	9 1/4
6	9 1/4
7	12 7/16
8	12 7/16
9	12 7/16
10	14

Model	Slots	Pattern	W
XG-PHPS-J11-9	1	1-Way	1 13/16
XG-PHPS-J21-9	2	1-Way	3 1/16
XG-PHPS-J22-9	2	2-Way	4 1/8
XG-PHPS-J31-9	3	1-Way	4 5/16
XG-PHPS-J32-9	3	2-Way	5 3/8
XG-PHPS-J41-9	4	1-Way	5 9/16
XG-PHPS-J42-9	4	2-Way	6 5/8

1. Available Finishes

Standard Finish:
26 - All White
27 - All Black

2. Available Accessories

3. Available Options

C-O - One Clip, Inlet Side
O-C - One Clip, Opposite Side
C-C - Two Clip, Both Sides
CN - Cross Notch

4. Construction Details

- Cross Notch:
Available for 48" Only
- Nominal lengths available:
24, 36, 48, 60
- Galvanized Steel Construction

All Dimensions ±1/16"