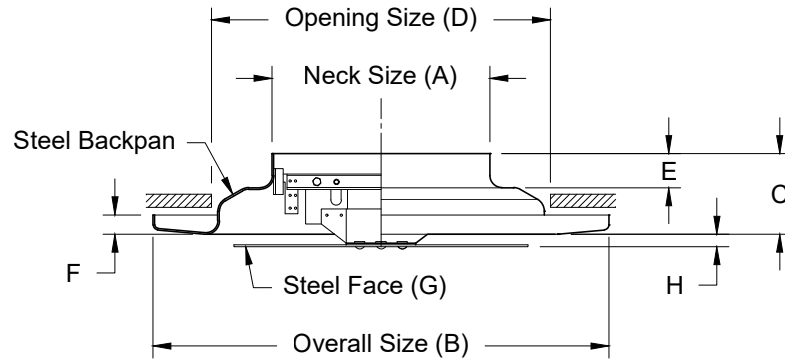


Model: XG-R5750 Round Plaque - Round Neck - Adjustable Face

XG-R5750-1 - Flush Surface Mount



Size	A	B	C	D	E	F	G	H
6	5 3/4	16 5/8	2 15/16	11	3/4	5/8	9	3/4
8	6 3/4	16 5/8	2 15/16	11	3/4	5/8	9	3/4
10	7 3/4	22 3/16	3 5/16	17	1	7/8	14	7/8
12	8 3/4	22 3/16	3 5/16	17	1	7/8	14	7/8
14	9 3/4	29 1/4	4 3/16	22	1	7/8	19	7/8
16	10 3/4	29 1/4	4 3/16	22	1	7/8	19	7/8

1. Available Finishes	2. Available Accessories	3. Available Options	4. Construction Details
Standard Finish: 01 White Finish 24 Mill Finish Aluminum only Optional Finish 02 Satin Silver 03 Black 28 Custom Color	XG-D3 - Aluminum Radial Opposed Blade Damper XG-SD3 - Steel Radial Opposed Blade Damper XG-GD3 - Combination Grid / Damper XG-BDS - Butterfly Damper XG-RSD - Radial Shutter Damper XG-G3 - Equalizing Grid	Safety Chain	<ul style="list-style-type: none"> • Available Sizes Only as Listed • Available Neck Sizes as Listed <p style="text-align: right;">All Dimensions ±1/16"</p>