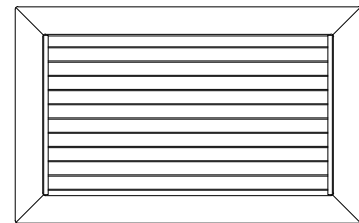
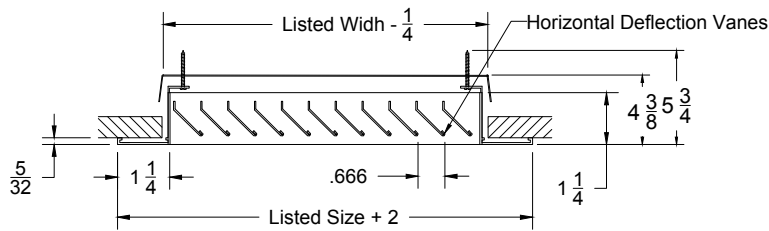


Return Grilles and Registers Roll Formed Aluminum - 45° Louvered Face

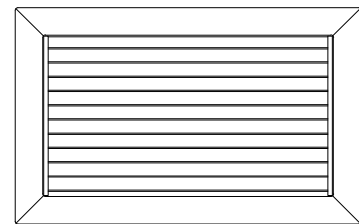
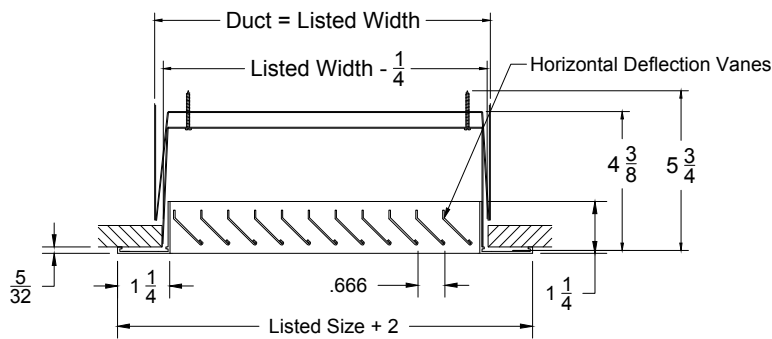
Models: **XG-RHE-1-CM** Return Grille - Concealed Mount

• **Model: XG-RHE-1 CM (Return Grille - Surface Mount)**



Face View (XG-RHE-1 Model)

• **Model: XG-RHE-1 CM -XG-OBD (Return Grille - Concealed Mounting)**



Face View (XG-RHE-1 Model)

Notes: (check if provided)

1. Available Finishes	2. Available Accessories	3. Available Options	4. Construction Details
Standard Finish: 01 White. Optional Finish (no extra charge): 24 Mill Finish. Optional Finish (additional Charge): 02 Satin Silver 03 Black. 28 Custom Color / Setup Charge	XG-OBD - Steel Opposed Blade Damper XG-OBDA - Aluminum Opposed Blade Damper XG-L9 - Equalizing Grid	IS - Insect Screen	