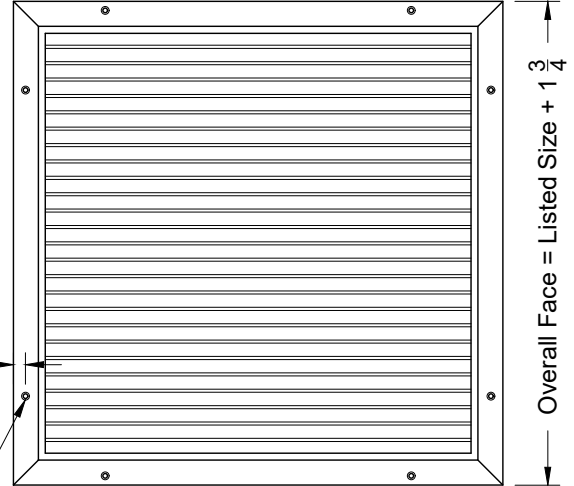
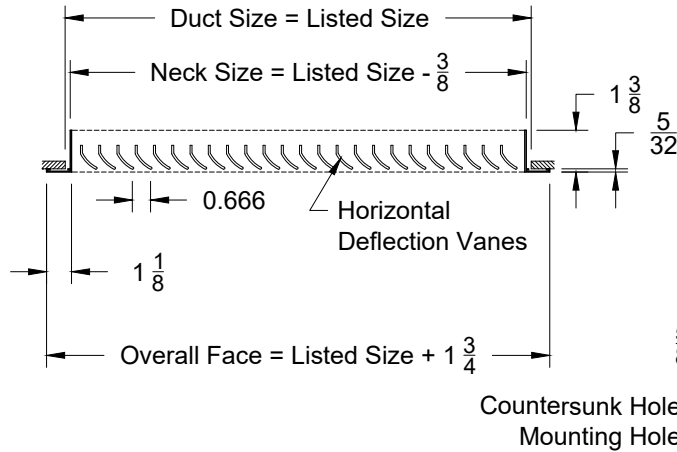


Model: XG-RHE-1      45° Fixed Blade - Flush Surface Mount  
 XG-RHE-6      45° Fixed Blade - T-Bar Lay-In

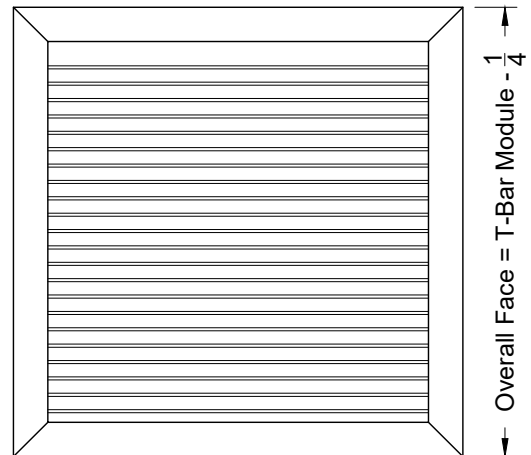
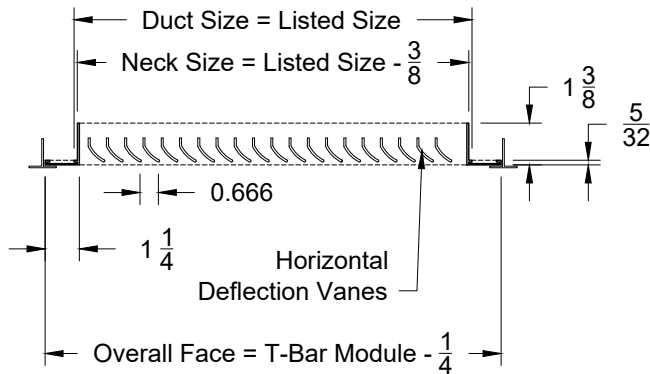
### XG-RHE-1 - Flush Surface Mount

### Face View



### XG-RHE-6 - T-Bar Lay-In

### Face View



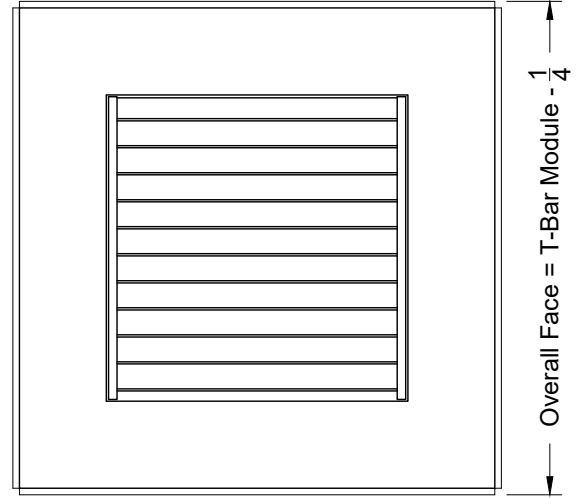
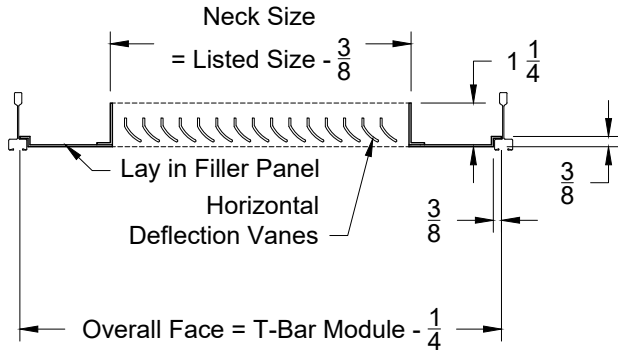
Note: This product complies with NFPA 90A-18 standard 4.3.7.3.2 and 4.3.8.3.2 and is constructed with openings through which a 1/2" sphere can not pass.

1. Available Finishes	2. Available Accessories	3. Available Options	4. Construction Details
Standard Finish: 01 White Finish 24 Mill Finish Optional Finish 02 Satin Silver 03 Black 04 Clear Anodized 28 Custom Color	XG-OBDA - Steel Opposed Blade Damper XG-OBDA - Aluminum OBD XG-L9 - Equalizing Grid XG-PF - Plaster Frame XG-TBPF - T-Bar Plaster Frame XG-TR - Square to Round Transition XG-TR-Deep - Deep Transition XG-LIPF - Lay-In Plaster Frame	IS - Insect Screen NSH - No Screw Holes	<ul style="list-style-type: none"> <li>• Odd/Fractional Sizes Available for additional charge</li> <li>• Oversized Units made in multiple sections</li> <li>• Largest single section is 48x48</li> <li>• Mullion strips provided for joining units in field</li> </ul>
All Dimensions $\pm 1/16"$			

Model: XG-RHE-9      45° Fixed Blade - Bolt Slot / Donn Finline Module

### XG-RHE-9 - Bolt Slot / Donn Finline Module

### Face View



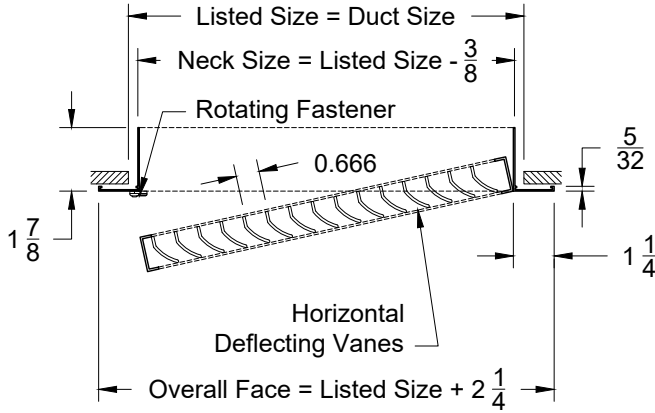
Note: This product complies with NFPA 90A-18 standard 4.3.7.3.2 and 4.3.8.3.2 and is constructed with openings through which a 1/2" sphere can not pass.

1. Available Finishes	2. Available Accessories	3. Available Options	4. Construction Details
Standard Finish: 01 White Finish 24 Mill Finish Optional Finish 02 Satin Silver 03 Black 04 Clear Anodized 28 Custom Color	XG-OBDA - Steel Opposed Blade Damper XG-OBDA - Aluminum OBD XG-L9 - Equalizing Grid XG-PF - Plaster Frame XG-TBPF - T-Bar Plaster Frame XG-TR - Square to Round Transition XG-TR-Deep - Deep Transition XG-LIPF - Lay-In Plaster Frame	IS - Insect Screen NSH - No Screw Holes	<ul style="list-style-type: none"> <li>• Odd/Fractional Sizes Available for additional charge</li> <li>• Oversized Units made in multiple sections</li> <li>• Largest single section is 48x48</li> <li>• Mullion strips provided for joining units in field</li> </ul>

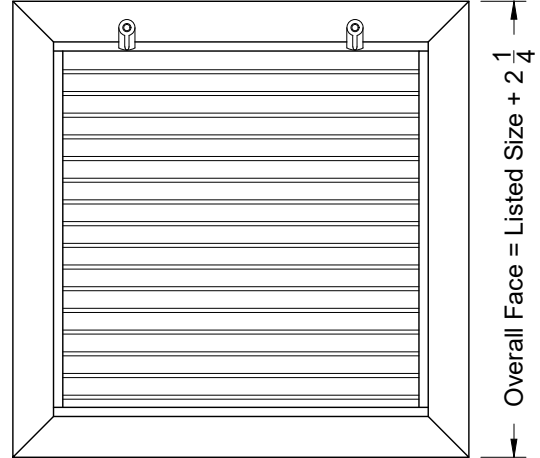
All Dimensions  $\pm 1/16"$

Model: XG-RHE-H-1      45° Fixed Blade - Flush Surface Mount - Hinged Core  
 XG-RHE-H-6      45° Fixed Blade - T-Bar Lay-In - Hinged Core

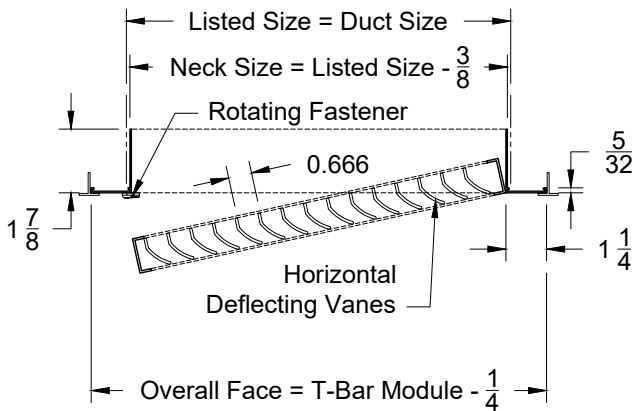
### XG-RHE-H-1 - Surface Mount - Hinged Core



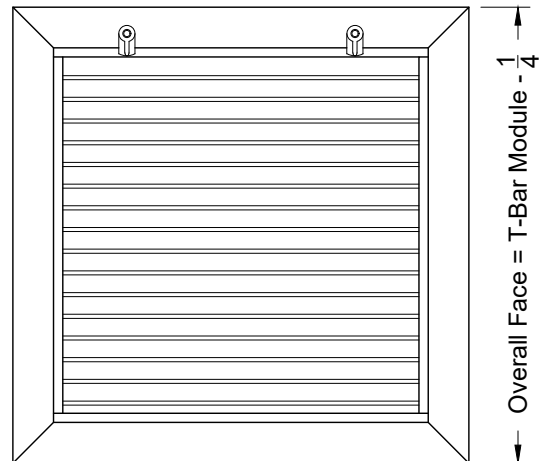
### Face View



### XG-RHE-H-6 - T-Bar Lay-In - Hinged Core



### Face View



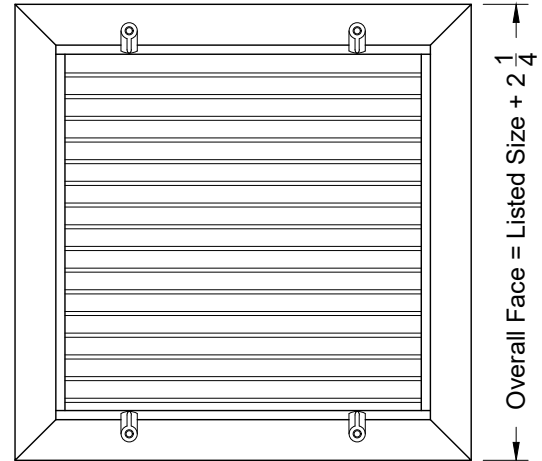
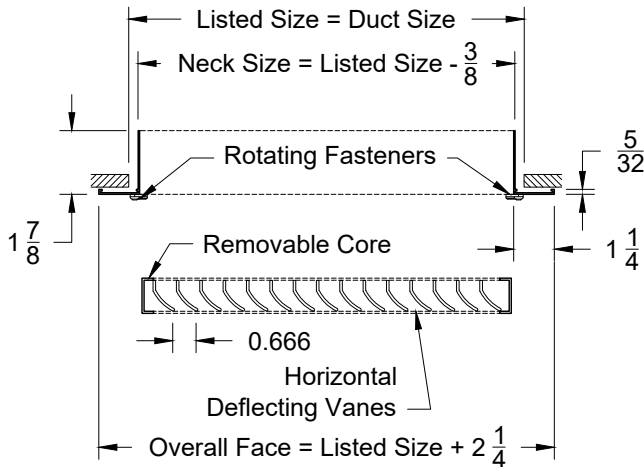
Note: This product complies with NFPA 90A-18 standard 4.3.7.3.2 and 4.3.8.3.2 and is constructed with openings through which a 1/2" sphere can not pass.

1. Available Finishes	2. Available Accessories	3. Available Options	4. Construction Details
Standard Finish: 01 White Finish 24 Mill Finish Optional Finish 02 Satin Silver 03 Black 04 Clear Anodized 28 Custom Color	XG-OBDA - Steel Opposed Blade Damper XG-OBDA - Aluminum OBD XG-L9 - Equalizing Grid XG-PF - Plaster Frame XG-TBPF - T-Bar Plaster Frame XG-TR - Square to Round Transition XG-TR-Deep - Deep Transition XG-LIPF - Lay-In Plaster Frame	IS - Insect Screen NSH - No Screw Holes	<ul style="list-style-type: none"> <li>• Odd/Fractional Sizes Available for additional charge</li> <li>• Oversized Units made in multiple sections</li> <li>• Largest single section is 48x48</li> <li>• Mullion strips provided for joining units in field</li> </ul>
All Dimensions $\pm 1/16"$			

Model: XG-RHE-RC-1 45° Fixed Blade - Bolt Slot / Donn Finline Module - Removable Core  
 XG-RHE-RC-6 45° Fixed Blade - T-Bar Lay In - Removable Core

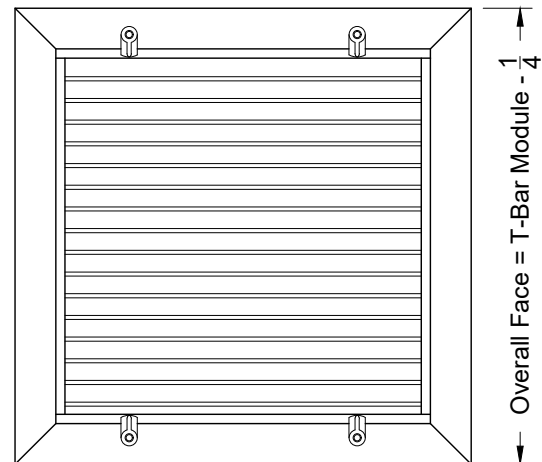
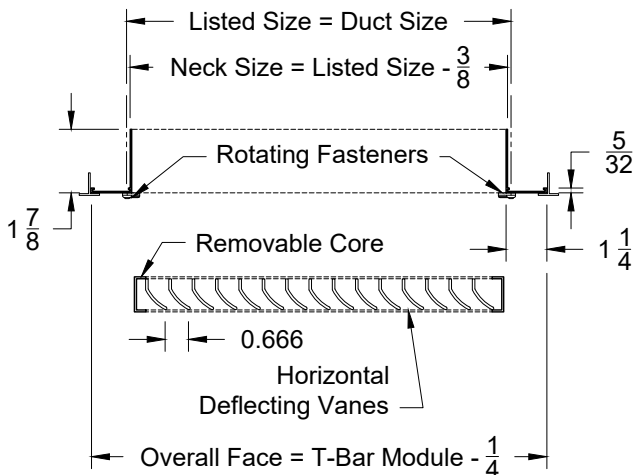
### XG-RHE-RC-1 - Surface Mount - Removable Core

### Face View



### XG-RHE-RC-6 - T-Bar Lay In - Removable Core

### Face View



Note: This product complies with NFPA 90A-18 standard 4.3.7.3.2 and 4.3.8.3.2 and is constructed with openings through which a  $\frac{1}{2}$ " sphere can not pass.

1. Available Finishes	2. Available Accessories	3. Available Options	4. Construction Details
Standard Finish: 01 White Finish 24 Mill Finish Optional Finish 02 Satin Silver 03 Black 04 Clear Anodized 28 Custom Color	XG-OBD - Steel Opposed Blade Damper XG-OBDA - Aluminum OBD XG-L9 - Equalizing Grid XG-PF - Plaster Frame XG-TBPF - T-Bar Plaster Frame XG-TR - Square to Round Transition XG-TR-Deep - Deep Transition XG-LIPF - Lay-In Plaster Frame	IS - Insect Screen NSH - No Screw Holes	<ul style="list-style-type: none"> <li>• Odd/Fractional Sizes Available for additional charge</li> <li>• Oversized Units made in multiple sections</li> <li>• Largest single section is 48x48</li> <li>• Mullion strips provided for joining units in field</li> </ul>
All Dimensions $\pm 1/16$ "			