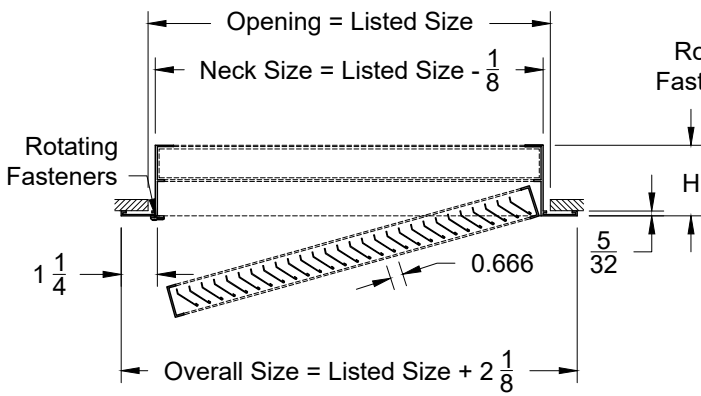
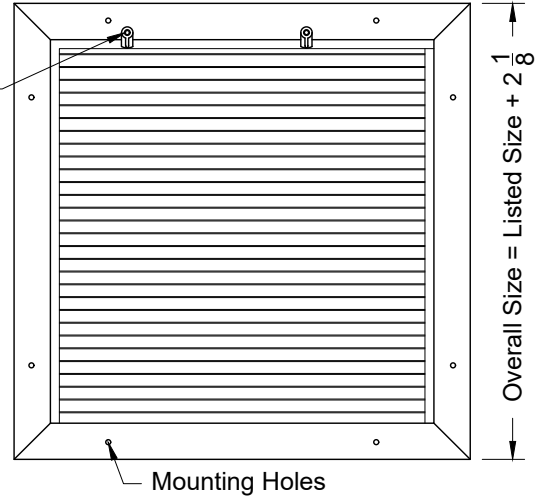


Model: XG-RHF-1      Hinged Core 45° Louvered Face - Flush Surface Mount  
 XG-RHF-6      Hinged Core 45° Louvered Face - T-Bar Lay-In

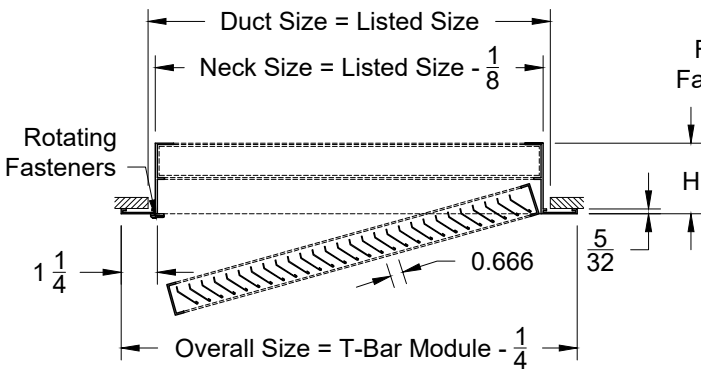
#### XG-RHF-1 - Flush Surface Mount



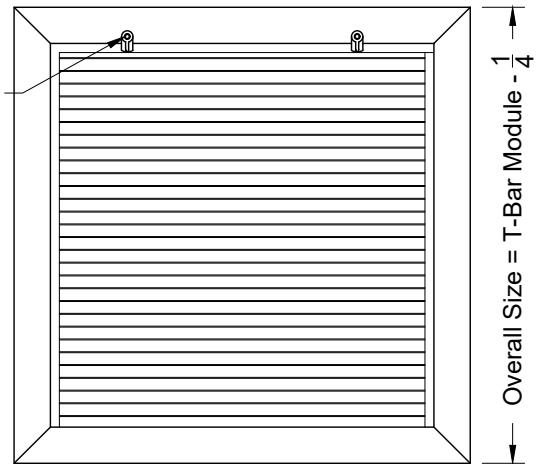
#### Face View



#### XG-RHF-6 - T-Bar Lay-In



#### Face View



Filter Depth	H
1"	2 7/16"
2"	3 7/16"
4"	5 1/2"

Note: This product complies with NFPA 90A-18 standard 4.3.7.3.2 and 4.3.8.3.2 and is constructed with openings through which a 1/2" sphere can not pass.

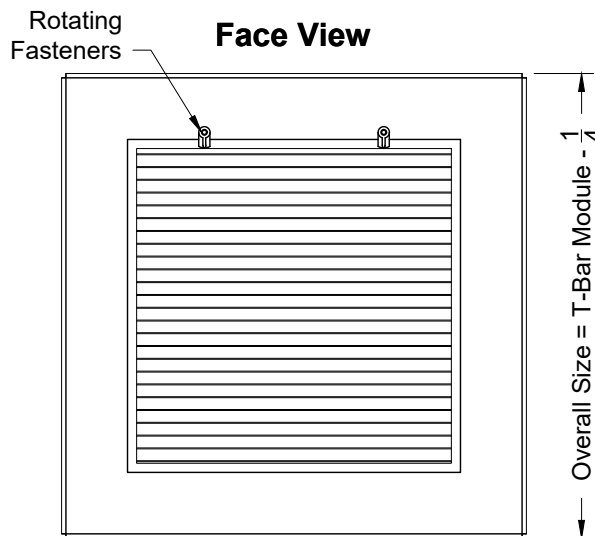
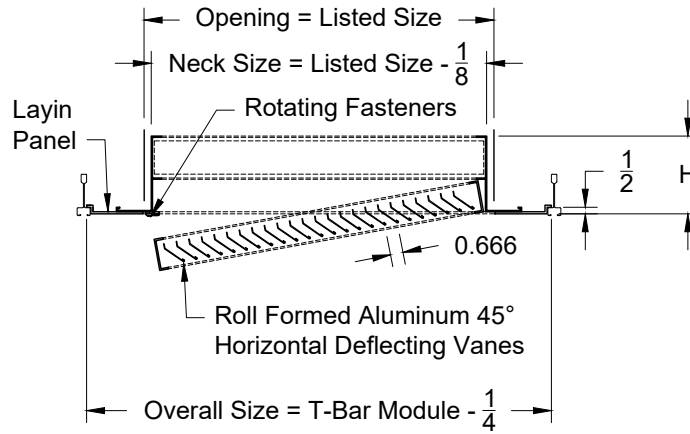
1. Available Finishes	2. Available Accessories	3. Available Options	4. Construction Details
Standard Finish: 01 White Finish 24 Mill Finish Optional Finish 02 Satin Silver 03 Black 28 Custom Color	OBD - Steel Opposed Blade Damper OBDA - Aluminum OBD L9 - Equalizing Grid PF - Plaster Frame TBPF - T-Bar Plaster Frame TR - Square to Round Transition TR-Deep - Deep Transition LIPF - Lay-In Plaster Frame	IS - Insect Screen 1" FF - 1" Filter Rack 2" FF - 2" Filter Rack 4" FF - 4" Filter Rack FG - Filter Gasket	<ul style="list-style-type: none"> <li>• Frames are Extruded Aluminum</li> <li>• Blades are Roll Formed Aluminum</li> <li>• Filter Size: Listed size - 1/8</li> <li>• Odd/Fractional Sizes Available</li> </ul>

All Dimensions ±1/16"

Model: XG-RHF-9

Hinged Core 45° Louvered Face - Bolt Slot / Donn Finline Module

### XG-RHF-9 - Bolt Slot / Donn Finline Module



Filter Depth	H
1"	2 $\frac{7}{16}$ "
2"	3 $\frac{7}{16}$ "
4"	5 $\frac{1}{2}$ "

Panel Sizes
12 x 12
24 x 12
24 x 24

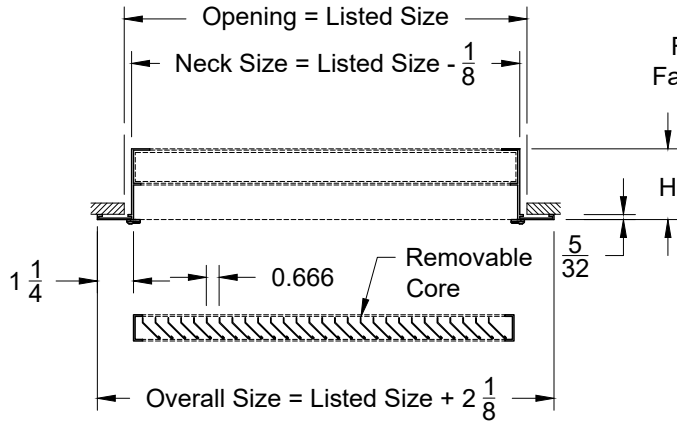
Note: This product complies with NFPA 90A-18 standard 4.3.7.3.2 and 4.3.8.3.2 and is constructed with openings through which a 1/2" sphere can not pass.

1. Available Finishes	2. Available Accessories	3. Available Options	4. Construction Details
Standard Finish: 01 White Finish 24 Mill Finish Optional Finish 02 Satin Silver 03 Black 28 Custom Color	OBD - Steel Opposed Blade Damper OBDA - Aluminum OBD L9 - Equalizing Grid PF - Plaster Frame TBPF - T-Bar Plaster Frame TR - Square to Round Transition TR-Deep - Deep Transtion LIPF - Lay-In Plaster Frame	IS - Insect Screen 1" FF - 1" Filter Rack 2" FF - 2" Filter Rack 4" FF - 4" Filter Rack FG - Filter Gasket	<ul style="list-style-type: none"> <li>• Frames are Extruded Aluminum</li> <li>• Blades are Roll Formed Aluminum</li> <li>• Filter Size: Listed size - 1/8</li> <li>• Odd/Fractional Sizes Available</li> </ul>

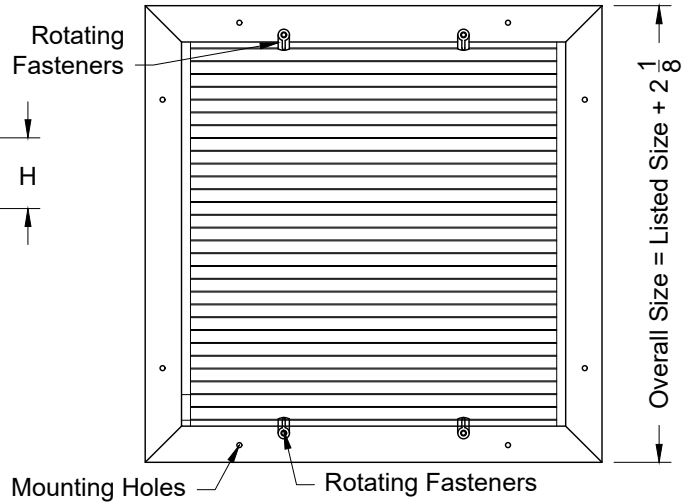
All Dimensions  $\pm 1/16$ "

Model: XG-RHF-1      Removable Core 45° Louvered Face - Flush Surface Mount  
 XG-RHF-6      Removable Core 45° Louvered Face - T-Bar Lay-In

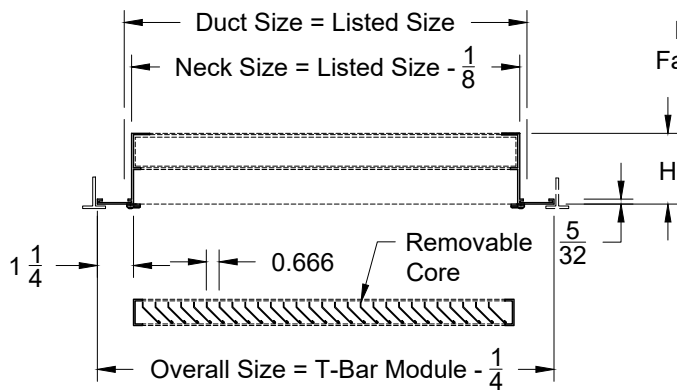
### XG-RHF-RC-1 - Flush Surface Mount



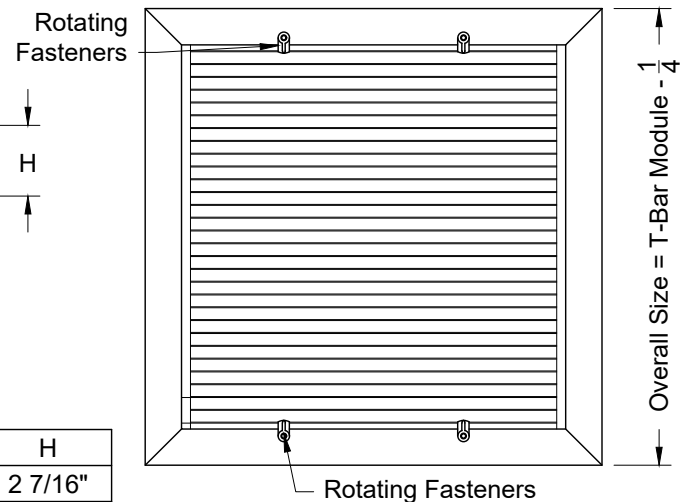
### Face View



### XG-RHF-RC-6 - T-Bar Lay In



### Face View



Filter Depth	H
1"	2 7/16"
2"	3 7/16"
4"	5 1/2"

Note: This product complies with NFPA 90A-18 standard 4.3.7.3.2 and 4.3.8.3.2 and is constructed with openings through which a 1/2" sphere can not pass.

1. Available Finishes	2. Available Accessories	3. Available Options	4. Construction Details
Standard Finish: 01 White Finish 24 Mill Finish Optional Finish 02 Satin Silver 03 Black 28 Custom Color	OBD - Steel Opposed Blade Damper OBDA - Aluminum OBD L9 - Equalizing Grid PF - Plaster Frame TBPF - T-Bar Plaster Frame TR - Square to Round Transition TR-Deep - Deep Transition LIPF - Lay-In Plaster Frame	IS - Insect Screen 1" FF - 1" Filter Rack 2" FF - 2" Filter Rack 4" FF - 4" Filter Rack FG - Filter Gasket	<ul style="list-style-type: none"> <li>• Frames are Extruded Aluminum</li> <li>• Blades are Roll Formed Aluminum</li> <li>• Filter Size: Listed size - 1/8</li> <li>• Odd/Fractional Sizes Available</li> </ul>
All Dimensions ±1/16"			