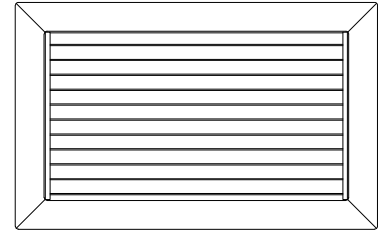
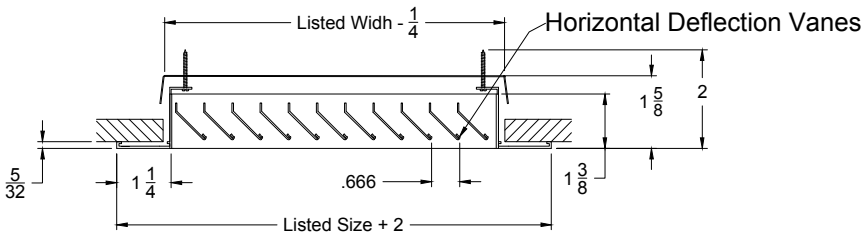


Return Grilles and Registers Roll Formed Aluminum - 45° Louvered Face

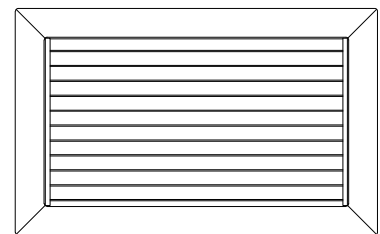
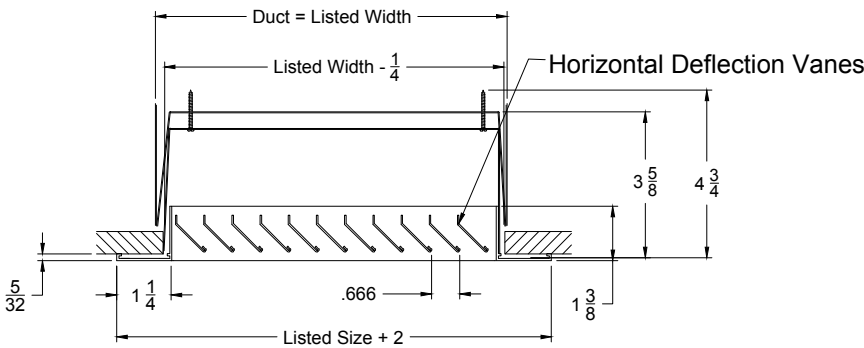
Models: **XG-RH-1-CM** Return Grille - Concealed Mount

Model: XG-RH-1 CM (Return Grille - Surface Mount)



Face View (XG-RH-1 Model)

Model: XG-RH-1 CM -XG-OBD (Return Grille - Concealed Mounting)



Face View (XG-RH-1 Model)

Notes: (check if provided)

| 1. Available Finishes | 2. Available Accessories | 3. Available Options | 4. Construction Details |
|---|---|----------------------|-------------------------|
| Standard Finish: 01 White. Optional Finish (no extra charge): 24 Mill Finish. Optional Finish (additional Charge): 02 Satin Silver 03 Black. 28 Custom Color / Setup Charge | XG-OBD - Steel Opposed Blade Damper XG-OBDA - Aluminum Opposed Blade | IS - Insect Screen | |