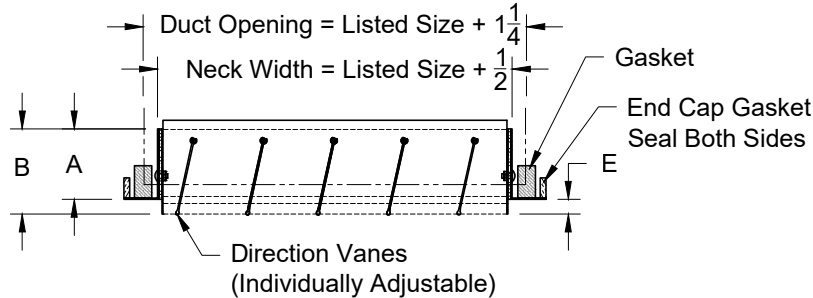


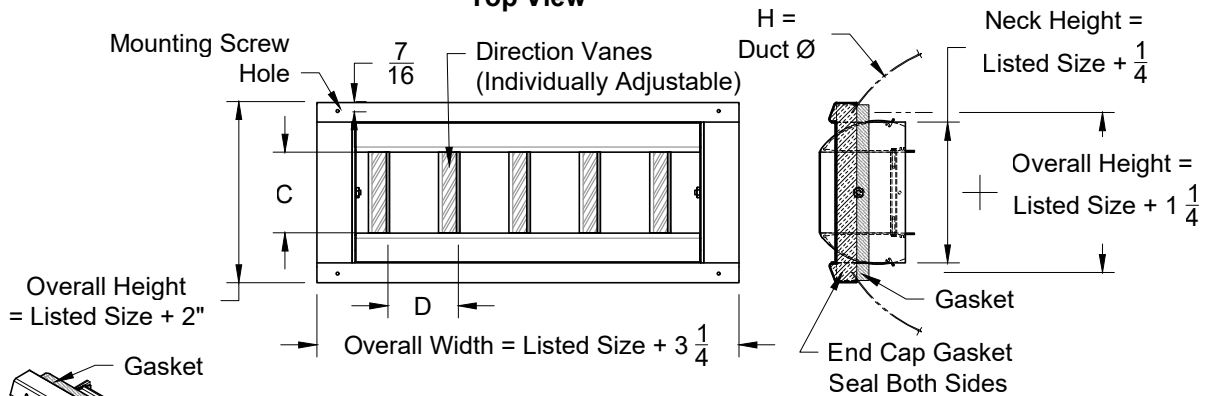
Model: XG-RL-SP

Spiral Duct Drum Louver - Universal Frame - Single Vane - Surface Mount

XG-RL-SP - Surface Mount

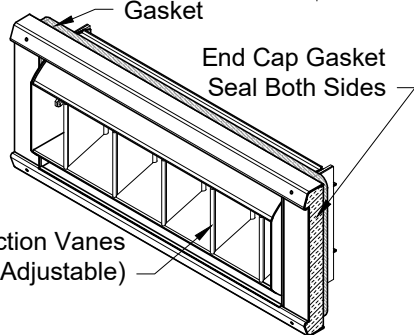


Top View



Face View

End View



H (Neck 2) Height	A Unit Depth	B Total Depth	C Blade H	D Blade Spacing	E Front Flange
6	1 1/2	2 3/4	3 1/2	3	1 3/8
10	1 1/2	4 1/4	6 1/8	5	2 3/4
12	1 1/2	5 1/4	6 1/2	5	3 3/4
15	1 1/2	6	9 7/8	5	4 3/8

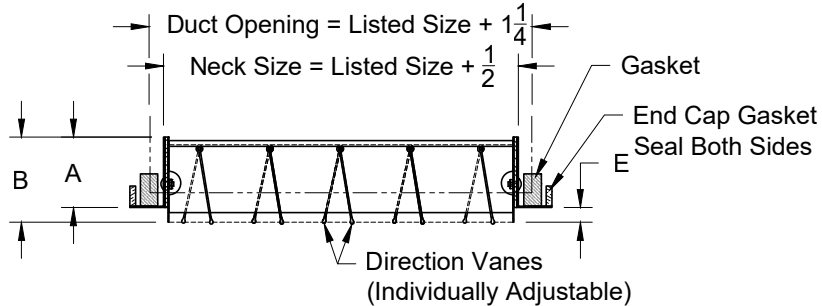
(Neck 2) Height	(Neck 1) Neck Width										
	12"	15"	18"	20"	24"	25"	30"	35"	36"	40"	48"
H											
6"	12 / 24	12 / 24	12 / 24	12 / 24	12 / 24	12 / 24	12 / 24	12 / 24	12 / 24	12 / 24	12 / 24
10"	-	-	30 / 48	30 / 48	30 / 48	30 / 48	30 / 48	30 / 48	30 / 48	30 / 48	30 / 48
12"	-	-	42 / 48	42 / 48	42 / 48	42 / 48	42 / 48	42 / 48	42 / 48	42 / 48	42 / 48
15"	-	-	42 / 48	42 / 48	42 / 48	42 / 48	42 / 48	42 / 48	42 / 48	42 / 48	42 / 48

1. Available Finishes	2. Available Accessories	3. Available Options	4. Construction Details
Standard Finish: 01 White Standard Finish (no extra charge) 24 Mill Finish Optional Finish (extra charge) 02 Satin Silver 03 Black 28 Custom Color		OBDE - Opposed Blade Damper DA - Opposed Blade Damper AS - Air Scoop NAS - No Air Scoop	<ul style="list-style-type: none"> Air Scoop includes wire handle for operation Ends are supplied with foam gasket to seal around duct Units are surface mount, provided with screw template to mount into duct Available in Listed Sizes Only

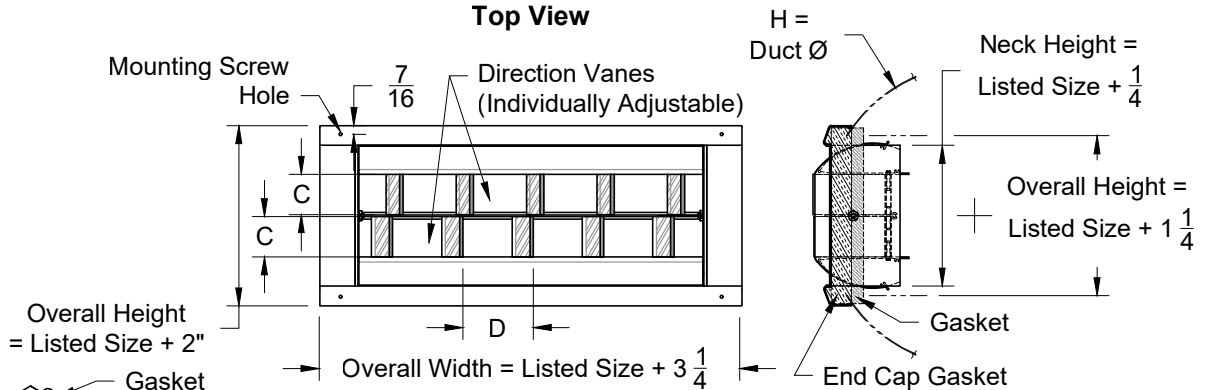
All Dimensions $\pm 1/16$ "

Model: XG-RL-SP-DF Spiral Duct Drum Louver - Universal Frame - Dual Flow Vanes - Surface Mount

XG-RL-SP-DF - Surface Mount

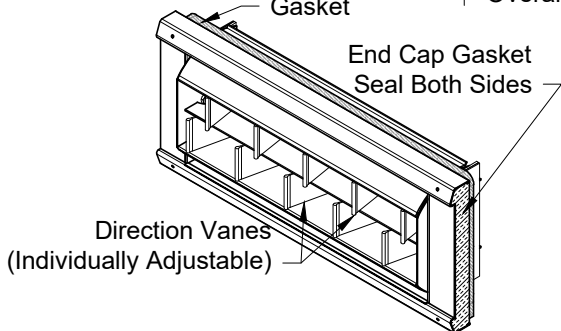


Top View



Face View

End View



H (Neck 2) Height	A Unit Depth	B Total Depth	C Blade H	D Blade Spacing	E Front Flange
6	1 1/2	2 3/4	3 1/2	3	1 3/8
10	1 1/2	4 1/4	6 1/8	5	2 3/4
12	1 1/2	5 1/4	6 1/2	5	3 3/4
15	1 1/2	6	9 7/8	5	4 3/8

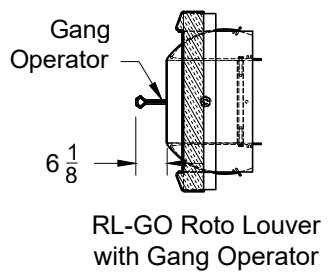
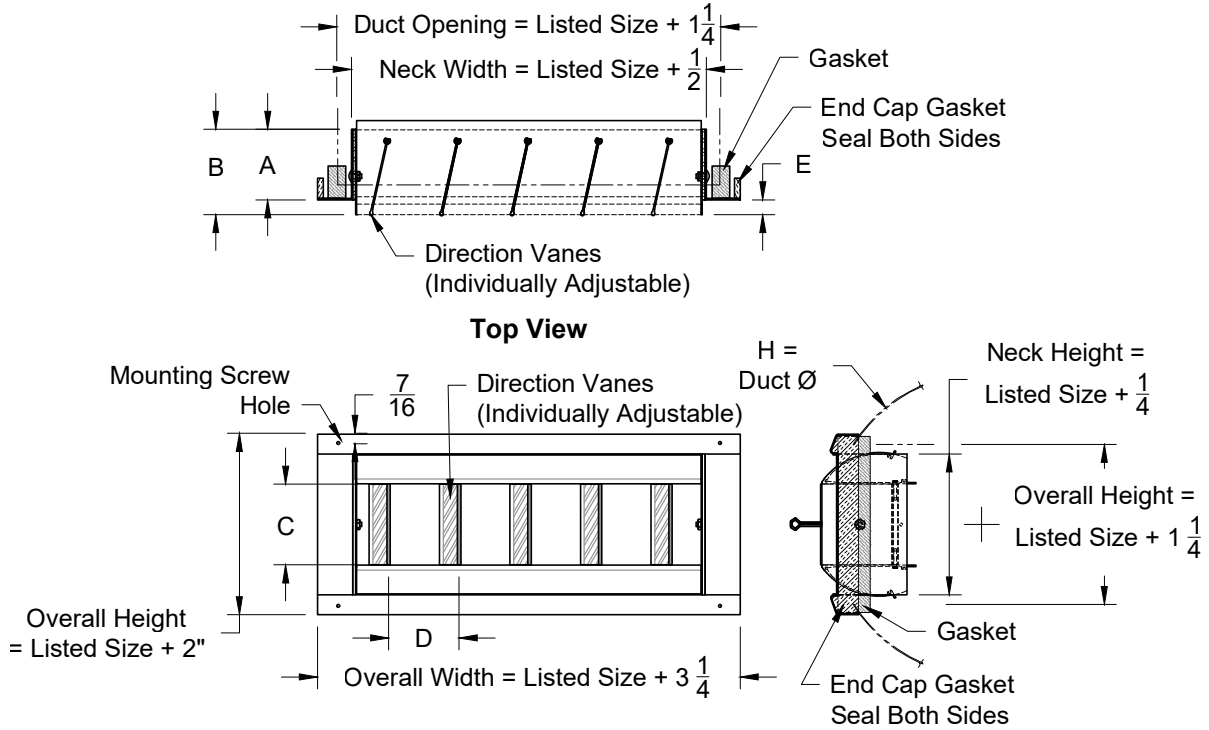
(Neck 2) Height	(Neck 1) Neck Width										
	12"	15"	18"	20"	24"	25"	30"	35"	36"	40"	48"
H											
6"	12 / 24	12 / 24	12 / 24	12 / 24	12 / 24	12 / 24	12 / 24	12 / 24	12 / 24	12 / 24	12 / 24
10"	-	-	30 / 48	30 / 48	30 / 48	30 / 48	30 / 48	30 / 48	30 / 48	30 / 48	30 / 48
12"	-	-	42 / 48	42 / 48	42 / 48	42 / 48	42 / 48	42 / 48	42 / 48	42 / 48	42 / 48
15"	-	-	42 / 48	42 / 48	42 / 48	42 / 48	42 / 48	42 / 48	42 / 48	42 / 48	42 / 48

1. Available Finishes	2. Available Accessories	3. Available Options	4. Construction Details
Standard Finish: 01 White Standard Finish (no extra charge) 24 Mill Finish Optional Finish (extra charge) 02 Satin Silver 03 Black 28 Custom Color		OBDE - Opposed Blade Damper DA - Opposed Blade Damper AS - Air Scoop NAS - No Air Scoop	<ul style="list-style-type: none"> Air Scoop includes wire handle for operation Ends are supplied with foam gasket to seal around duct Units are surface mount, provided with screw template to mount into duct Available in Listed Sizes Only

All Dimensions $\pm 1/16$ "

Model: XG-RL-SP-GO Spiral Duct Drum Louver - Universal Frame - Single Flow Vanes with Gang Operator

XG-RL-SP-GO - Surface Mount



H	A	B	C	D	E
(Neck 2) Height	Unit Depth	Total Depth	Blade H	Blade Spacing	Front Flange
6	1 1/2	2 3/4	3 1/2	3	1 3/8
10	1 1/2	4 1/4	6 1/8	5	2 3/4
12	1 1/2	5 1/4	6 1/2	5	3 3/4
15	1 1/2	6	9 7/8	5	4 3/8

(Neck 2) Height	(Neck 1) Neck Width										
	12"	15"	18"	20"	24"	25"	30"	35"	36"	40"	48"
H											
6"	12 / 24	12 / 24	12 / 24	12 / 24	12 / 24	12 / 24	12 / 24	12 / 24	12 / 24	12 / 24	12 / 24
10"	-	-	30 / 48	30 / 48	30 / 48	30 / 48	30 / 48	30 / 48	30 / 48	30 / 48	30 / 48
12"	-	-	42 / 48	42 / 48	42 / 48	42 / 48	42 / 48	42 / 48	42 / 48	42 / 48	42 / 48
15"	-	-	42 / 48	42 / 48	42 / 48	42 / 48	42 / 48	42 / 48	42 / 48	42 / 48	42 / 48

1. Available Finishes	2. Available Accessories	3. Available Options	4. Construction Details
Standard Finish: 01 White Standard Finish (no extra charge) 24 Mill Finish Optional Finish (extra charge) 02 Satin Silver 03 Black 28 Custom Color		OBDE - Opposed Blade Damper DA - Opposed Blade Damper AS - Air Scoop NAS - No Air Scoop	<ul style="list-style-type: none"> Air Scoop includes wire handle for operation Ends are supplied with foam gasket to seal around duct Units are surface mount, provided with screw template to mount into duct Available in Listed Sizes Only

All Dimensions ±1/16"