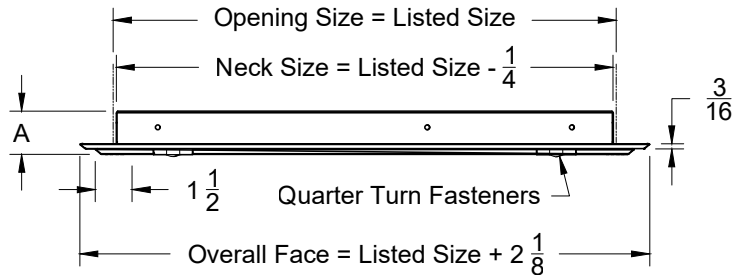
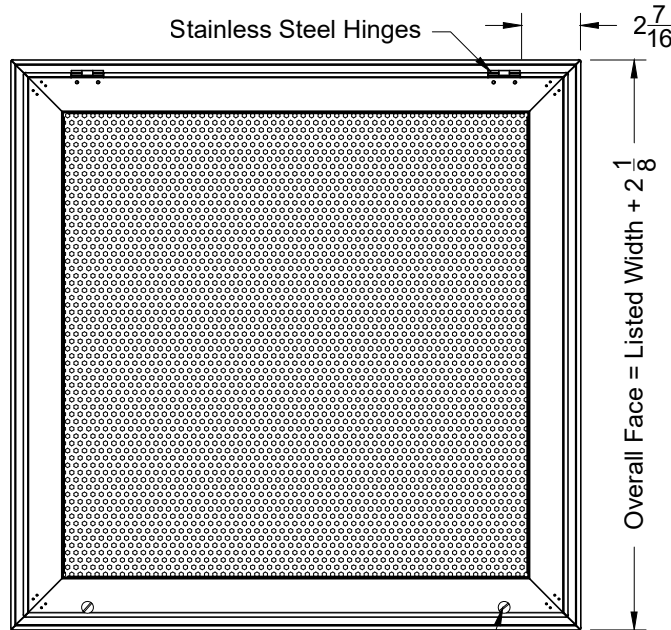


Model: XG-RPFSS-1 Hinged Perforated Face - Flush Surface Mount

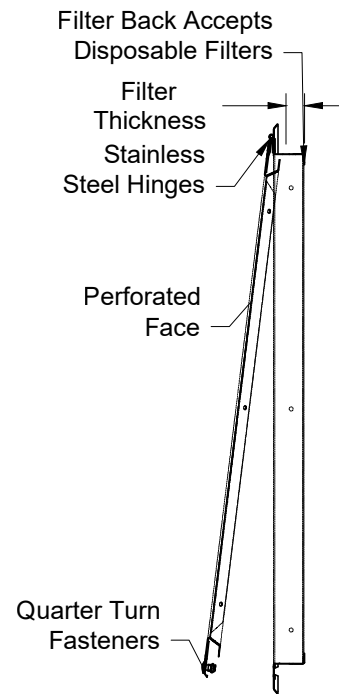
XG-RPFSS-1 - Flush Surface Mount



End View



Face View



Side View

Disposable Filter Thickness	A
1	1.99
2	2.99

1. Available Finishes

Standard Finish:
01 White
23 Satin Polish

2. Available Accessories

XG-OBDS - S.S. Opposed Blade Damper
XG-TBPFSS - S.S. T-Bar Plaster Frame
XG-LIPFSS - S.S. Lay In Plaster Frame
XG-PFSS - S.S. Plaster Frame

3. Available Options

316SS - 316 Stainless Steel
IS-SS - Insect Screen S.S.
NSH - No Screw Holes
1"FF - 1" Filter Frame Rack
2"FF - 1" Filter Frame Rack

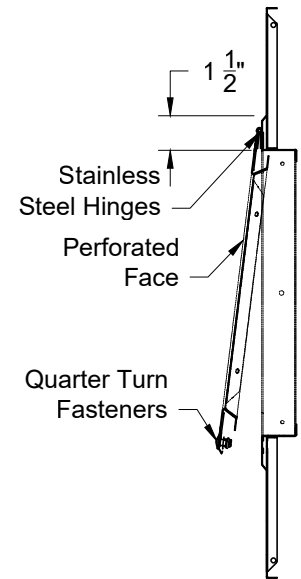
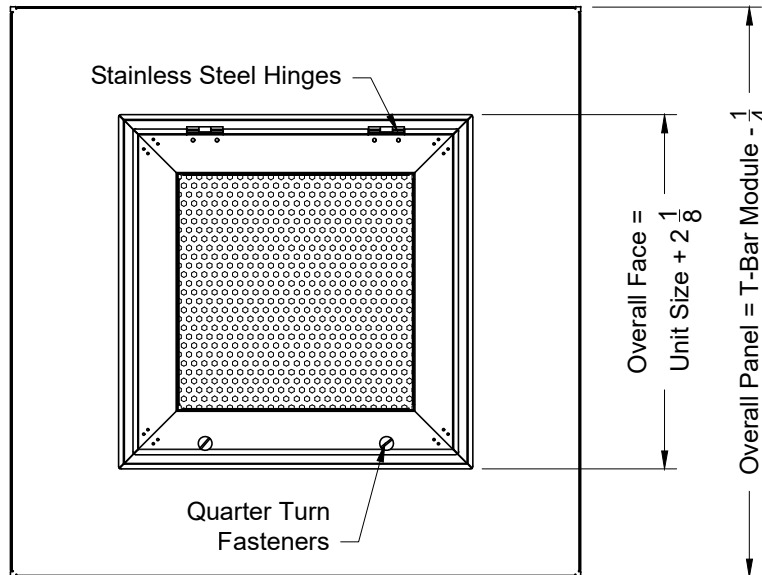
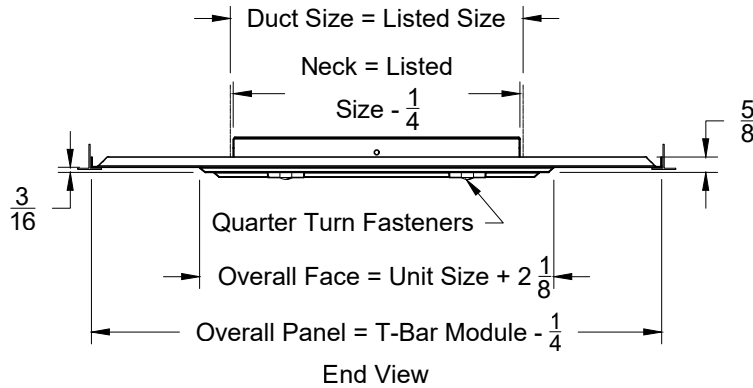
4. Construction Details

- 304 Stainless Steel Construction (Standard)
- Only Available in Listed Sizes

All Dimensions $\pm 1/16"$

Model: XG-RPFSS-6 Hinged Core Perforated Face - Lay In T-Bar

XG-RPFSS-6 - Lay In T-Bar



Side View

Face View

Disposable Filter Thickness	A
1	1.99
2	2.99

1. Available Finishes	2. Available Accessories	3. Available Options	4. Construction Details
Standard Finish: 01 White 23 Satin Polish	XG-OBDS - S.S. Opposed Blade Damper XG-TBPFSS - S.S. T-Bar Plaster Frame XG-LIPFSS - S.S. Lay In Plaster Frame XG-PFSS - S.S. Plaster Frame	316SS - 316 Stainless Steel IS-SS - Insect Screen S.S. NSH - No Screw Holes 1"FF - 1" Filter Frame Rack 2"FF - 1" Filter Frame Rack	<ul style="list-style-type: none"> 304 Stainless Steel Construction (Standard) Only Available in Listed Sizes

All Dimensions $\pm 1/16$ "