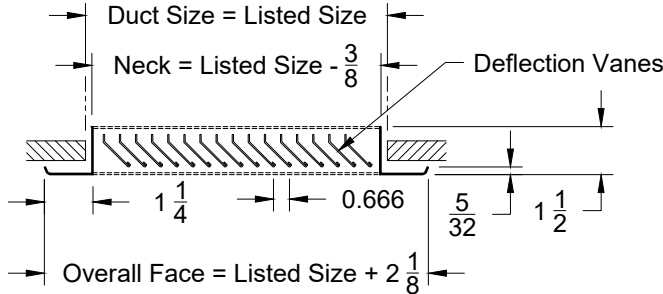
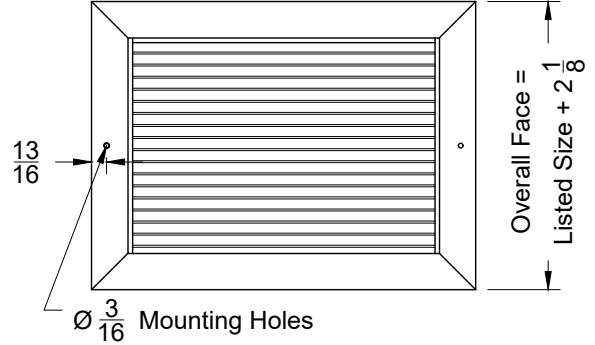


Model: XG-SRH-1 Steel 45° Fixed Blade - Flush Surface Mount
 XG-SRH-6 Steel 45° Fixed Blade - Panel - T-Bar Lay-In

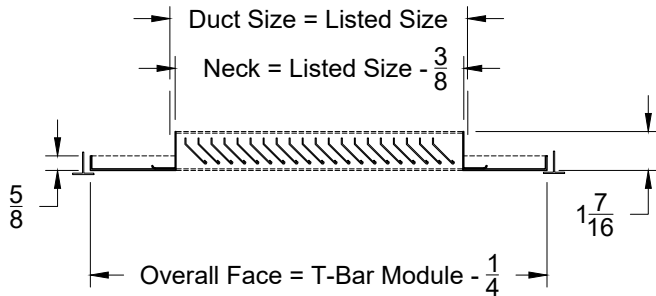
XG-SRH-1 - Surface Mount



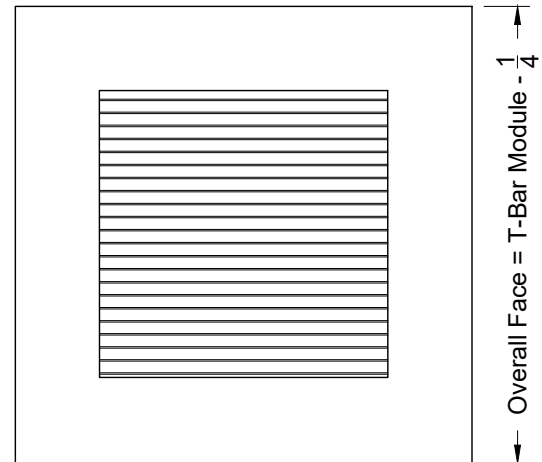
Face View



XG-SRH-6 - Lay In T-Bar



Face View



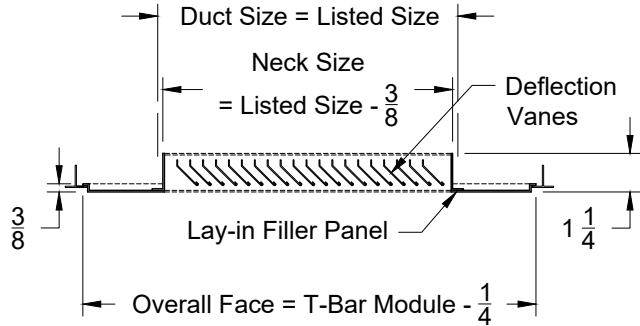
Note: This product complies with NFPA 90A-18 standard 4.3.7.3.2 and 4.3.8.3.2 and is constructed with openings through which a 1/2" sphere can not pass.

1. Available Finishes	2. Available Accessories	3. Available Options	4. Construction Details
Standard Finish: 01 White Finish 24 Mill Finish Optional Finish 02 Satin Silver 03 Black 28 Custom Color	XG-OBDA - Steel Opposed Blade Damper XG-OBDA - Aluminum OBD XG-L9 - Equalizing Grid XG-PF - Plaster Frame XG-TBPF - T-Bar Plaster Frame XG-TR - Square to Round Transition XG-TR-Deep - Deep Transition XG-LIPF - Lay-In Plaster Frame	IS - Insect Screen NSH - No Screw Holes CM - Concealed Mount	<ul style="list-style-type: none"> • Odd/Fractional Sizes Available for additional charge • Oversized Units made in multiple sections • Largest single section is 48x48 • Mullion strips provided for joining units in field

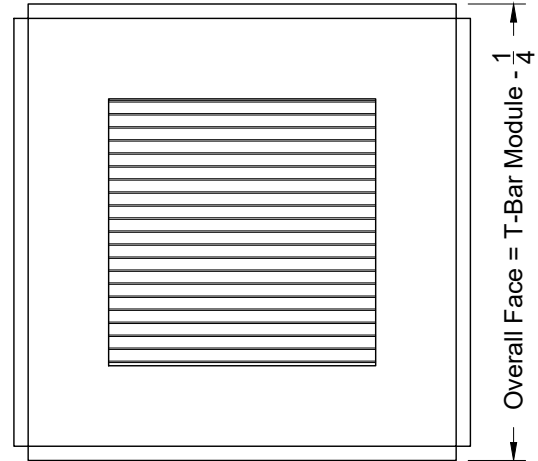
All Dimensions ±1/16"

Model: XG-SRH-8 Steel 45° Fixed Blade - Panel - Tegular Module
 XG-SRH-9 Steel 45° Fixed Blade - Bolt Slot / Donn Finline Module

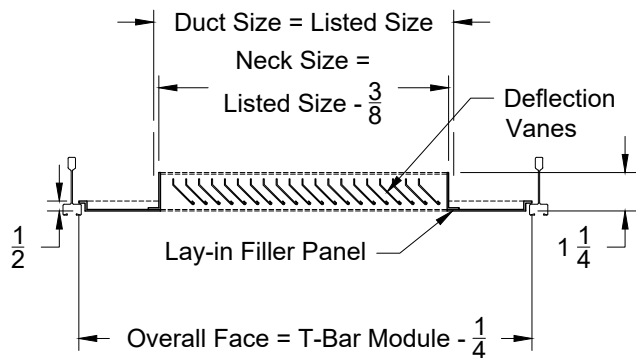
XG-SRH-8 - Tegular Module



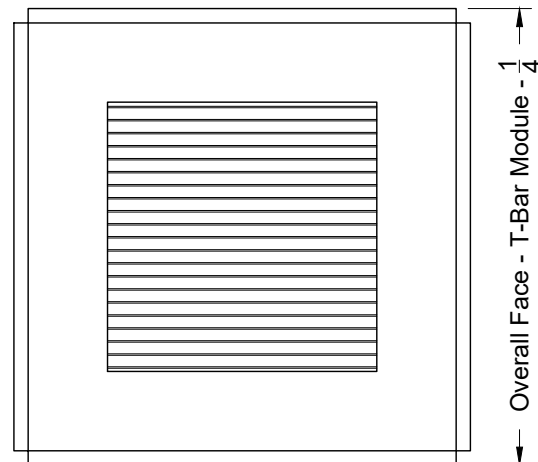
Face View



XG-SRH-9 - Bolt Slot / Donn Finline Module



Face View

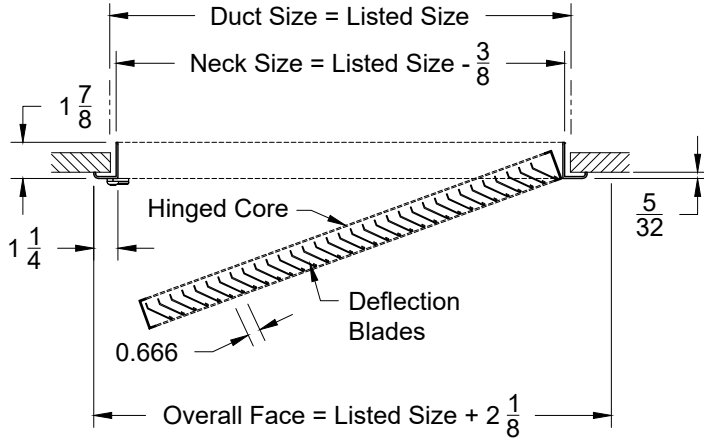


Note: This product complies with NFPA 90A-18 standard 4.3.7.3.2 and 4.3.8.3.2 and is constructed with openings through which a 1/2" sphere can not pass.

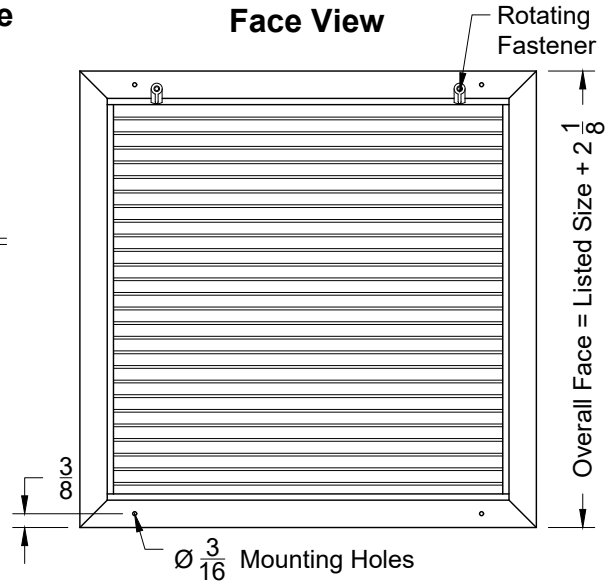
1. Available Finishes	2. Available Accessories	3. Available Options	4. Construction Details
Standard Finish: 01 White Finish 24 Mill Finish Optional Finish 02 Satin Silver 03 Black 28 Custom Color	XG-OBDA - Steel Opposed Blade Damper XG-OBDA - Aluminum OBD XG-L9 - Equalizing Grid XG-PF - Plaster Frame XG-TBPF - T-Bar Plaster Frame XG-TR - Square to Round Transition XG-TR-Deep - Deep Transition XG-LIPF - Lay-In Plaster Frame	IS - Insect Screen NSH - No Screw Holes CM - Concealed Mount	<ul style="list-style-type: none"> • Odd/Fractional Sizes Available for additional charge • Oversized Units made in multiple sections • Largest single section is 48x48 • Mullion strips provided for joining units in field
All Dimensions $\pm 1/16"$			

Model: XG-SRH-H-1 Steel 45° Fixed Blade - Surface Mount - Hinged Core
 XG-SRH-H-6 Steel 45° Fixed Blade - T-Bar Lay-In - Hinged Core

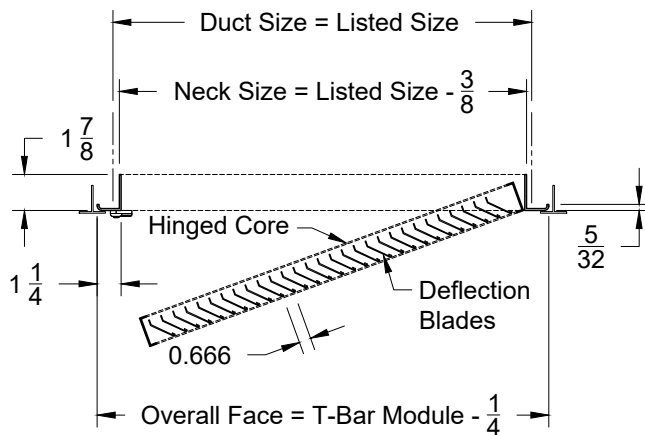
XG-SRH-H-1 - Surface Mount - Hinged Core



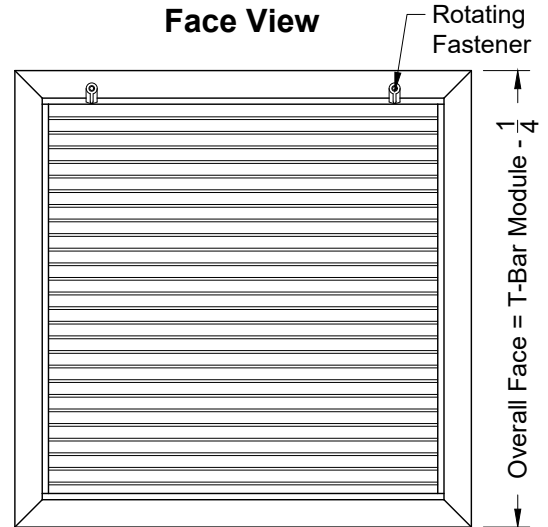
Face View



XG-SRH-H-6 - Lay In T-Bar - Hinged Core



Face View



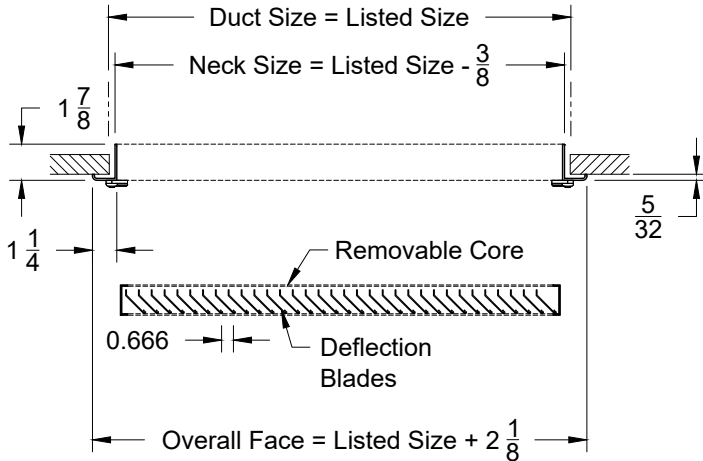
Note: This product complies with NFPA 90A-18 standard 4.3.7.3.2 and 4.3.8.3.2 and is constructed with openings through which a 1/2" sphere can not pass.

1. Available Finishes	2. Available Accessories	3. Available Options	4. Construction Details
Standard Finish: 01 White Finish 24 Mill Finish Optional Finish 02 Satin Silver 03 Black 28 Custom Color	XG-OBD - Steel Opposed Blade Damper XG-OBDA - Aluminum OBD XG-L9 - Equalizing Grid XG-PF - Plaster Frame XG-TBPF - T-Bar Plaster Frame XG-TR - Square to Round Transition XG-TR-Deep - Deep Transition XG-LIPF - Lay-In Plaster Frame	IS - Insect Screen NSH - No Screw Holes CM - Concealed Mount	<ul style="list-style-type: none"> Odd/Fractional Sizes Available for additional charge Oversized Units made in multiple sections Largest single section is 48x48 Mullion strips provided for joining units in field

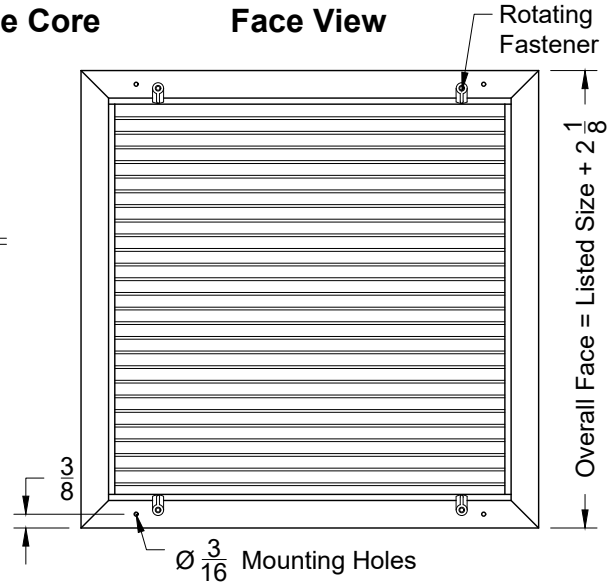
All Dimensions ±1/16"

Model: XG-SRH-RC-1 Steel 45° Fixed Blade - Surface Mount - Removable Core
 XG-SRH-RC-6 Steel 45° Fixed Blade - T-Bar - Removable Core

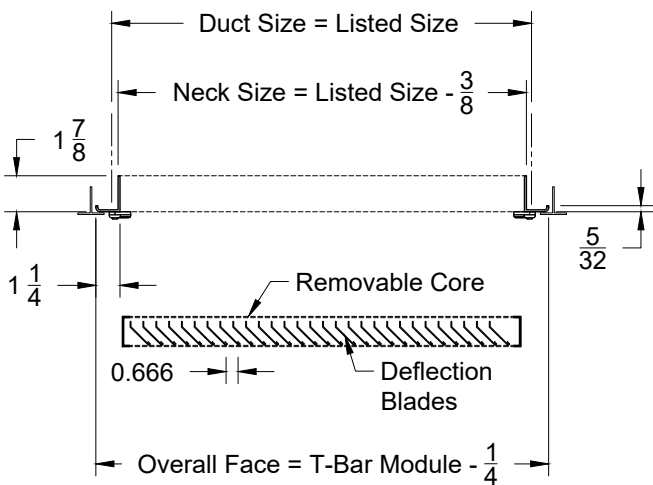
XG-SRH-RC-1 - Surface Mount - Removable Core



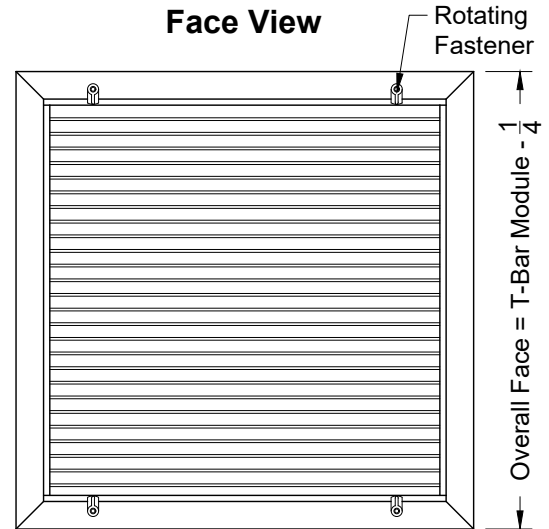
Face View



XG-SRH-RC-6 - Lay In T-Bar - Removable Core



Face View



Note: This product complies with NFPA 90A-18 standard 4.3.7.3.2 and 4.3.8.3.2 and is constructed with openings through which a 1/2" sphere can not pass.

1. Available Finishes	2. Available Accessories	3. Available Options	4. Construction Details
Standard Finish: 01 White Finish 24 Mill Finish Optional Finish 02 Satin Silver 03 Black 28 Custom Color	XG-OBDA - Steel Opposed Blade Damper XG-OBDA - Aluminum OBD XG-L9 - Equalizing Grid XG-PF - Plaster Frame XG-TBPF - T-Bar Plaster Frame XG-TR - Square to Round Transition XG-TR-Deep - Deep Transition XG-LIPF - Lay-In Plaster Frame	IS - Insect Screen NSH - No Screw Holes CM - Concealed Mount	<ul style="list-style-type: none"> Odd/Fractional Sizes Available for additional charge Oversized Units made in multiple sections Largest single section is 48x48 Mullion strips provided for joining units in field

All Dimensions $\pm 1/16"$