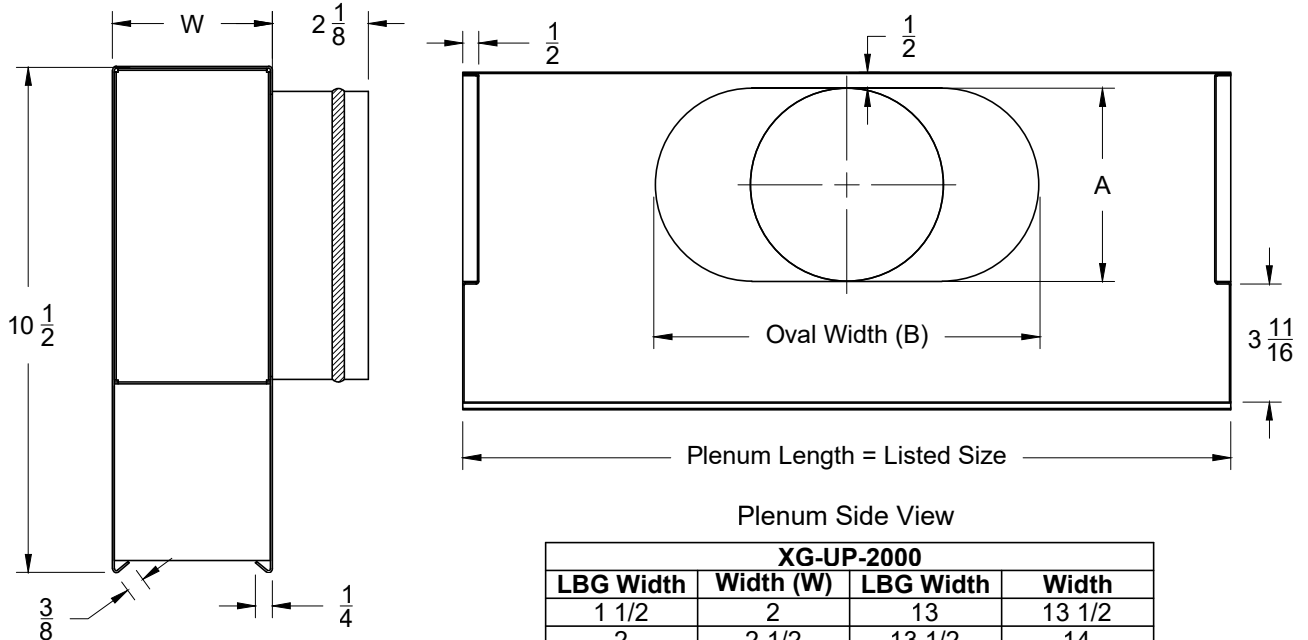


Model: XG-UP-2000

Universal Plenum - Non Insulated

XG-UP-2000 - Universal Plenum - Non Insulated



Plenum (Installed) End View

Plenum Side View

Inlet Chart			
Size	Type	A	B
6	Round	5 7/8	NA
8	Oval	5 7/8	8 15/16
10	Oval	5 7/8	12 1/16
12	Oval	5 7/8	15 1/4
14	Oval	5 7/8	18 7/16

XG-UP-2000			
LBG Width	Width (W)	LBG Width	Width
1 1/2	2	13	13 1/2
2	2 1/2	13 1/2	14
2 1/2	3	14	14 1/2
3	3 1/2	14 1/2	15
3 1/2	4	15	15 1/2
4	4 1/2	15 1/2	16
4 1/2	5	16	16 1/2
5	5 1/2	16 1/2	17
5 1/2	6	17	17 1/2
6	6 1/2	17 1/2	18
6 1/2	7	18	18 1/2
7	7 1/2	18 1/2	19
7 1/2	8	19	19 1/2
8	8 1/2	19 1/2	20
8 1/2	9	20	20 1/2
9	9 1/2	20 1/2	21
9 1/2	10	21	21 1/2
10	10 1/2	21 1/2	22
10 1/2	11	22	22 1/2
11	11 1/2	22 1/2	23
11 1/2	12	23	23 1/2
12	12 1/2	23 1/2	24
12 1/2	13	24	24 1/2

1. Available Finishes	2. Available Accessories	3. Available Options	4. Construction Details
	XG-FODR - Face Operated Damper Rod XG-ID - Inlet Damper XG-LQ - Locking Quadrant Damper XG-ROD - Remote Operated Damper		<ul style="list-style-type: none"> Single Section size range: (12" minimum - 96" maximum)

All Dimensions ±1/16"