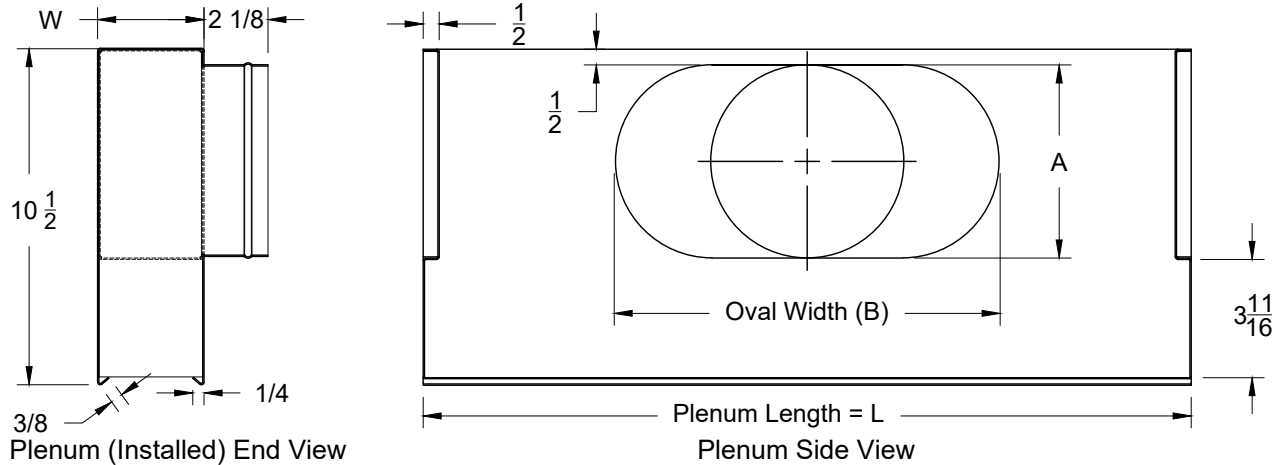


Model: XG-UP-6650

Universal Plenum Non-Insulated for 1/2" Slot Linear Diffusers

### XG-UP-6650 - Universal Plenum Non-Insulated for 1/2" Slot Linear Diffusers



| Model      | S = Slots |            | PLENUM  |
|------------|-----------|------------|---------|
|            | Slots     |            | D2      |
| XG-UP-6650 | 1         | 1/2" Slots | 2 5/16  |
|            | 2         |            | 3 9/16  |
|            | 3         |            | 4 13/16 |
|            | 4         |            | 6 1/16  |

| Model      | S = Slots |            | PLENUM  |
|------------|-----------|------------|---------|
|            | Slots     |            | D2      |
| XG-UP-6650 | 5         | 1/2" Slots | 7 5/16  |
|            | 6         |            | 8 9/16  |
|            | 7         |            | 9 13/16 |
|            | 8         |            | 11 1/16 |

| Inlet Chart |       |       |         |
|-------------|-------|-------|---------|
| Size        | Type  | A     | B       |
| 6           | Round | 5 7/8 |         |
| 8           | Oval  | 5 7/8 | 8 15/16 |
| 10          | Oval  | 5 7/8 | 12 1/16 |
| 12          | Oval  | 5 7/8 | 15 1/4  |
| 14          | Oval  | 5 7/8 | 18 7/16 |

L = Listed Size ± Linear End Types

| Description                            | FRAME            | Border Size                                      | 2 EB / MM | 1 EB / MO | No Ends | 2 EC | 1 EC |
|--|------------------|--|-----------|-----------|---------|------|------|
| T-Bar Lay-In                           | 10-6, 12-6       | 1 - 1/8"   | -2 1/8    | - 1 1/16  | ± 0     | ± 0  | ± 0  |
| Screw Mount **                         | 11-1             | Note: ** Not Recommended End Type For This Style |           |           |         |      |      |
| Concealed Mount                        | 12-1             | 1 - 1/8"   | ± 0       | ± 0       | ± 0     | ± 0  | ± 0  |
| T-Bar Lay-In                           | 20-6, 22-6       | 3/4"   | - 1 3/8   | - 11/16   | ± 0     | ± 0  | ± 0  |
| T-Bar Lay-In                           | 30-6, 32-6       | 1/2"   | - 7/8     | - 7/16    | ± 0     | ± 0  | ± 0  |
| Concealed Spline, Drop Face, Bolt Slot | 40-7, 40-8, 40-9 | 22/32"   | - 1/4     | - 1/8     | ± 0     | ± 0  | ± 0  |
| Concealed Spline, Drop Face, Bolt Slot | 42-7, 42-8, 42-9 | 22/32"   | - 1/4     | - 1/8     | ± 0     | ± 0  | ± 0  |
| Mud Flange                             | 50-1, 52-1       | 1 13/16  | ± 0       | ± 0       | ± 0     | ± 0  | ± 0  |

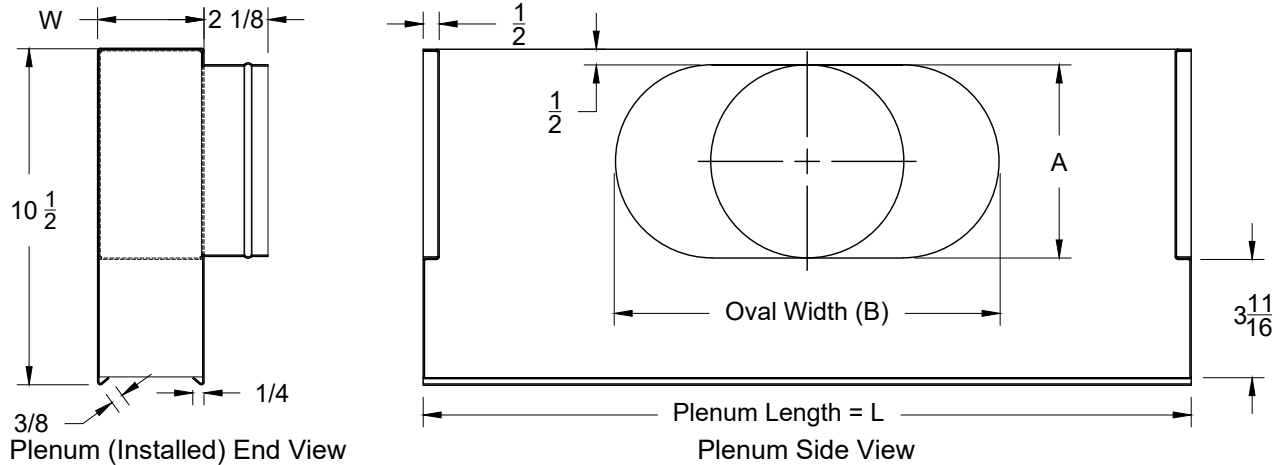
| 1. Available Finishes | 2. Available Accessories   | 3. Available Options   | 4. Construction Details   |
|-----------------------|--|--|---|
|                       | XG-FODR - Face Operated Damper Rod<br>XG-ID - Inlet Damper<br>XG-LQ - Locking Quadrant Damper<br>XG-ROD - Remote Operated Damper | 1EC - (1) End Cap<br>2EC - (2) End Caps<br>1EB - (1) End Border<br>2EB - (2) End Borders<br>OO - Open / Open | <ul style="list-style-type: none"> <li>Standard Lengths: 24, 36, 48, 60, 72</li> <li>Custom Length available for extra charge 12" minimum – 72" maximum</li> <li>NI - No Inlet</li> </ul> |

All Dimensions ±1/16"

Model: XG-UP-6675

Universal Plenum Non-Insulated for 3/4" Slot Linear Diffusers

### XG-UP-6675 - Universal Plenum Non-Insulated for 3/4" Slot Linear Diffusers



| Model      | S = Slots |            | PLENUM |
|------------|-----------|------------|--------|
|            | Slots     |            | D2     |
| XG-UP-6675 | 1         | 3/4" Slots | 2 9/16 |
|            | 2         |            | 4 1/16 |
|            | 3         |            | 5 9/16 |
|            | 4         |            | 7 1/16 |

| Model      | S = Slots |            | PLENUM  |
|------------|-----------|------------|---------|
|            | Slots     |            | D2      |
| XG-UP-6675 | 5         | 3/4" Slots | 8 9/16  |
|            | 6         |            | 10 1/16 |
|            | 7         |            | 11 9/16 |
|            | 8         |            | 13 1/16 |

| Inlet Chart |       |       |         |
|-------------|-------|-------|---------|
| Size        | Type  | A     | B       |
| 6           | Round | 5 7/8 |         |
| 8           | Oval  | 5 7/8 | 8 15/16 |
| 10          | Oval  | 5 7/8 | 12 1/16 |
| 12          | Oval  | 5 7/8 | 15 1/4  |
| 14          | Oval  | 5 7/8 | 18 7/16 |

L = Listed Size ± Linear End Types

| Description                            | FRAME            | Border Size                                      | 2 EB / MM | 1 EB / MO | No Ends | 2 EC | 1 EC |
|--|------------------|--|-----------|-----------|---------|------|------|
| T-Bar Lay-In                           | 10-6, 12-6       | 1 - 1/8"   | -2 1/8    | - 1 1/16  | ± 0     | ± 0  | ± 0  |
| Screw Mount **                         | 11-1             | Note: ** Not Recommended End Type For This Style |           |           |         |      |      |
| Concealed Mount                        | 12-1             | 1 - 1/8"   | ± 0       | ± 0       | ± 0     | ± 0  | ± 0  |
| T-Bar Lay-In                           | 22-6, 22-6       | 3/4"   | - 1 3/8   | - 11/16   | ± 0     | ± 0  | ± 0  |
| T-Bar Lay-In                           | 30-6, 32-6       | 1/2"   | - 7/8     | - 7/16    | ± 0     | ± 0  | ± 0  |
| Concealed Spline, Drop Face, Bolt Slot | 40-7, 40-8, 40-9 | 22/32"   | - 1/4     | - 1/8     | ± 0     | ± 0  | ± 0  |
| Concealed Spline, Drop Face, Bolt Slot | 42-7, 42-8, 42-9 | 22/32"   | - 1/4     | - 1/8     | ± 0     | ± 0  | ± 0  |
| Mud Flange                             | 50-1, 52-1       | 1 13/16  | ± 0       | ± 0       | ± 0     | ± 0  | ± 0  |

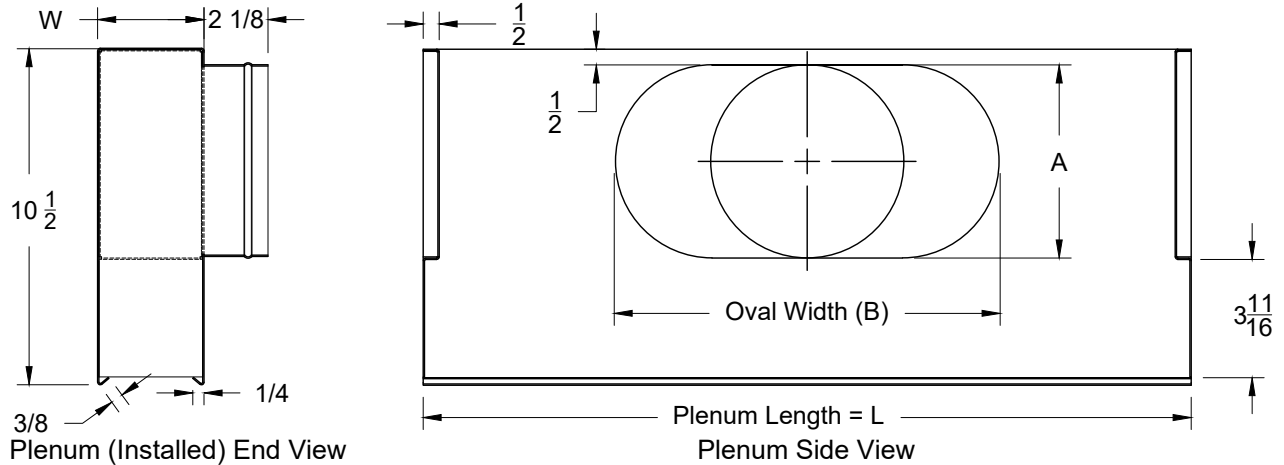
| 1. Available Finishes | 2. Available Accessories   | 3. Available Options   | 4. Construction Details   |
|-----------------------|--|--|---|
|                       | XG-FODR - Face Operated Damper Rod<br>XG-ID - Inlet Damper<br>XG-LQ - Locking Quadrant Damper<br>XG-ROD - Remote Operated Damper | 1EC - (1) End Cap<br>2EC - (2) End Caps<br>1EB - (1) End Border<br>2EB - (2) End Borders<br>OO - Open / Open | <ul style="list-style-type: none"> <li>Standard Lengths: 24, 36, 48, 60, 72</li> <li>Custom Length available for extra charge 12" minimum – 72" maximum</li> <li>NI - No Inlet</li> </ul> |

All Dimensions ±1/16"

Model: XG-UP-6610

Universal Plenum Non-Insulated for 1" Slot Linear Diffusers

### XG-UP-6610 - Universal Plenum Non-Insulated for 1" Slot Linear Diffusers



| Model      | S = Slots |          | PLENUM  |
|------------|-----------|----------|---------|
|            | Slots     |          | D2      |
| XG-UP-6610 | 1         | 1" Slots | 2 13/16 |
|            | 2         |          | 4 9/16  |
|            | 3         |          | 6 5/16  |
|            | 4         |          | 8 1/16  |

| Model      | S = Slots |          | PLENUM  |
|------------|-----------|----------|---------|
|            | Slots     |          | D2      |
| XG-UP-6610 | 5         | 1" Slots | 9 13/16 |
|            | 6         |          | 11 9/16 |
|            | 7         |          | 13 5/16 |
|            | 8         |          | 15 1/16 |

| Inlet Chart |       |       |         |
|-------------|-------|-------|---------|
| Size        | Type  | A     | B       |
| 6           | Round | 5 7/8 |         |
| 8           | Oval  | 5 7/8 | 8 15/16 |
| 10          | Oval  | 5 7/8 | 12 1/16 |
| 12          | Oval  | 5 7/8 | 15 1/4  |
| 14          | Oval  | 5 7/8 | 18 7/16 |

L = Listed Size ± Linear End Types

| Description                            | FRAME            | Border Size                                      | 2 EB / MM | 1 EB / MO | No Ends | 2 EC | 1 EC |
|--|------------------|--|-----------|-----------|---------|------|------|
| T-Bar Lay-In                           | 10-6, 12-6       | 1 - 1/8"   | -2 1/8    | - 1 1/16  | ± 0     | ± 0  | ± 0  |
| Screw Mount **                         | 11-1             | Note: ** Not Recommended End Type For This Style |           |           |         |      |      |
| Concealed Mount                        | 12-1             | 1 - 1/8"   | ± 0       | ± 0       | ± 0     | ± 0  | ± 0  |
| T-Bar Lay-In                           | 22-6, 22-6       | 3/4"   | - 1 3/8   | - 11/16   | ± 0     | ± 0  | ± 0  |
| T-Bar Lay-In                           | 30-6, 32-6       | 1/2"   | - 7/8     | - 7/16    | ± 0     | ± 0  | ± 0  |
| Concealed Spline, Drop Face, Bolt Slot | 40-7, 40-8, 40-9 | 22/32"   | - 1/4     | - 1/8     | ± 0     | ± 0  | ± 0  |
| Concealed Spline, Drop Face, Bolt Slot | 42-7, 42-8, 42-9 | 22/32"   | - 1/4     | - 1/8     | ± 0     | ± 0  | ± 0  |
| Mud Flange                             | 50-1, 52-1       | 1 13/16  | ± 0       | ± 0       | ± 0     | ± 0  | ± 0  |

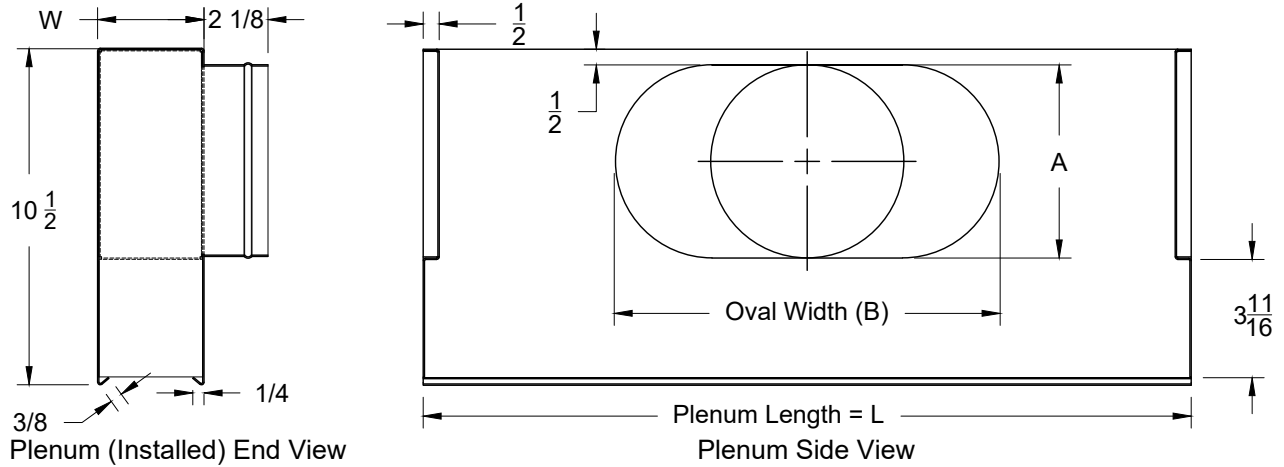
| 1. Available Finishes | 2. Available Accessories   | 3. Available Options   | 4. Construction Details   |
|-----------------------|--|--|---|
|                       | XG-FODR - Face Operated Damper Rod<br>XG-ID - Inlet Damper<br>XG-LQ - Locking Quadrant Damper<br>XG-ROD - Remote Operated Damper | 1EC - (1) End Cap<br>2EC - (2) End Caps<br>1EB - (1) End Border<br>2EB - (2) End Borders<br>OO - Open / Open | <ul style="list-style-type: none"> <li>Standard Lengths: 24, 36, 48, 60, 72</li> <li>Custom Length available for extra charge 12" minimum – 72" maximum</li> <li>NI - No Inlet</li> </ul> |

All Dimensions ±1/16"

Model: XG-UP-6615

Universal Plenum Non-Insulated for 1 1/2" Slot Linear Diffusers

### XG-UP-6615 - Universal Plenum Non-Insulated for 1 1/2" Slot Linear Diffusers



| Model      | S = Slots |              | PLENUM  |
|------------|-----------|--------------|---------|
|            | Slots     |              | D2      |
| XG-UP-6615 | 1         | 1 1/2" Slots | 3 5/16  |
|            | 2         |              | 5 9/16  |
|            | 3         |              | 7 13/16 |
|            | 4         |              | 10 1/16 |

| Inlet Chart |       |       |         |
|-------------|-------|-------|---------|
| Size        | Type  | A     | B       |
| 6           | Round | 5 7/8 |         |
| 8           | Oval  | 5 7/8 | 8 15/16 |
| 10          | Oval  | 5 7/8 | 12 1/16 |
| 12          | Oval  | 5 7/8 | 15 1/4  |
| 14          | Oval  | 5 7/8 | 18 7/16 |

L = Listed Size ± Linear End Types

| Description                            | FRAME            | Border Size                                      | 2 EB / MM | 1 EB / MO | No Ends | 2 EC | 1 EC |
|--|------------------|--|-----------|-----------|---------|------|------|
| T-Bar Lay-In                           | 10-6, 12-6       | 1 - 1/8"   | -2 1/8    | - 1 1/16  | ± 0     | ± 0  | ± 0  |
| Screw Mount **                         | 11-1             | Note: ** Not Recommended End Type For This Style |           |           |         |      |      |
| Concealed Mount                        | 12-1             | 1 - 1/8"   | ± 0       | ± 0       | ± 0     | ± 0  | ± 0  |
| T-Bar Lay-In                           | 22-6, 22-6       | 3/4"   | - 1 3/8   | - 11/16   | ± 0     | ± 0  | ± 0  |
| T-Bar Lay-In                           | 30-6, 32-6       | 1/2"   | - 7/8     | - 7/16    | ± 0     | ± 0  | ± 0  |
| Concealed Spline, Drop Face, Bolt Slot | 40-7, 40-8, 40-9 | 22/32"   | - 1/4     | - 1/8     | ± 0     | ± 0  | ± 0  |
| Concealed Spline, Drop Face, Bolt Slot | 42-7, 42-8, 42-9 | 22/32"   | - 1/4     | - 1/8     | ± 0     | ± 0  | ± 0  |
| Mud Flange                             | 50-1, 52-1       | 1 13/16  | ± 0       | ± 0       | ± 0     | ± 0  | ± 0  |

| 1. Available Finishes | 2. Available Accessories   | 3. Available Options   | 4. Construction Details   |
|-----------------------|--|--|---|
|                       | XG-FODR - Face Operated Damper Rod<br>XG-ID - Inlet Damper<br>XG-LQ - Locking Quadrant Damper<br>XG-ROD - Remote Operated Damper | 1EC - (1) End Cap<br>2EC - (2) End Caps<br>1EB - (1) End Border<br>2EB - (2) End Borders<br>OO - Open / Open | <ul style="list-style-type: none"> <li>Standard Lengths: 24, 36, 48, 60, 72</li> <li>Custom Length available for extra charge 12" minimum – 72" maximum</li> <li>NI - No Inlet</li> </ul> |

All Dimensions ±1/16"