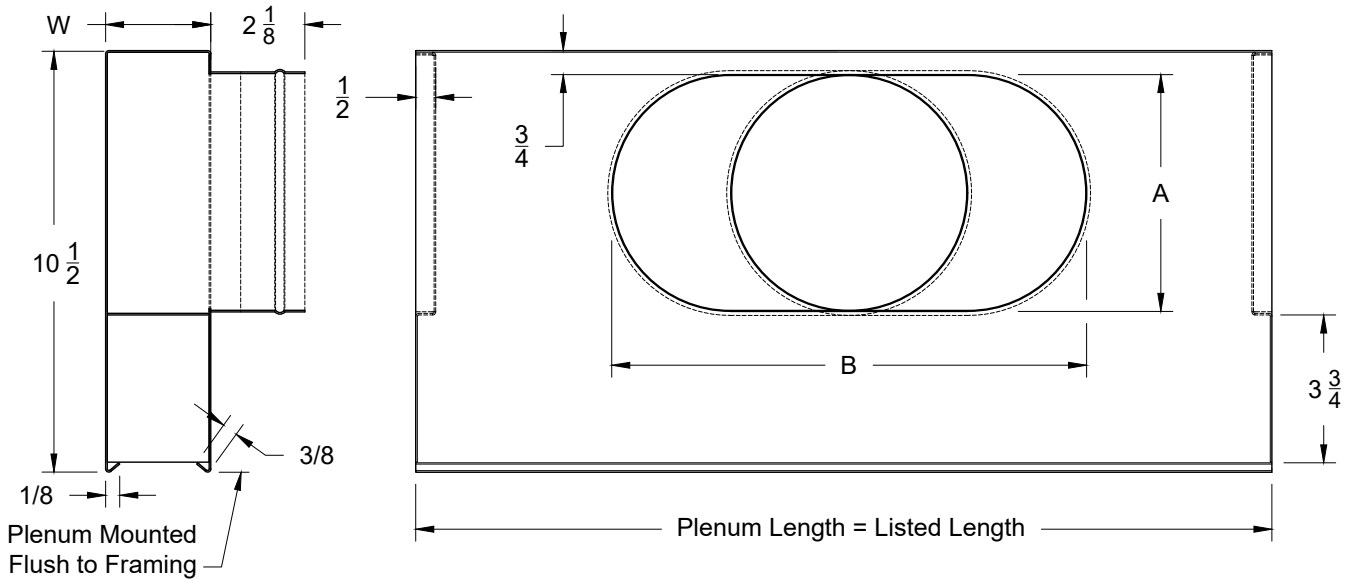


Model: XG-UP-6675TZ-6 Universal Plenum Non-Insulated - 3/4" Slot Linear Diffuser - TechZone Lay-In T-Bar

XG-UP-6675TZ-6 - TechZone Lay-In T-Bar



MODEL	Grid Width	Number of Slots	W (Width)
XG-UP-6675TZ4-6	4	1	2
	4	2	3 1/2
XG-UP-6675TZ6-6	6	1	2
	6	2	3 1/2
	6	3	5
	6	4	6

Inlet Chart			
Size	Type	A	B
6	Round	5 7/8	NA
7	Oval	5 7/8	7 1/4
8	Oval	5 7/8	8 3/8
9	Oval	5 7/8	10
10	Oval	5 7/8	11 9/16
12	Oval	5 7/8	14 13/16
14	Oval	5 7/8	17 13/16

1. Available Finishes

2. Available Accessories

3. Available Options

4. Construction Details

XG-FODR - Face Operated Damper Rod
XG-ID - Inlet Damper
XG-LQ - Locking Quadrant Damper
XG-ROD - Remote Operated Damper

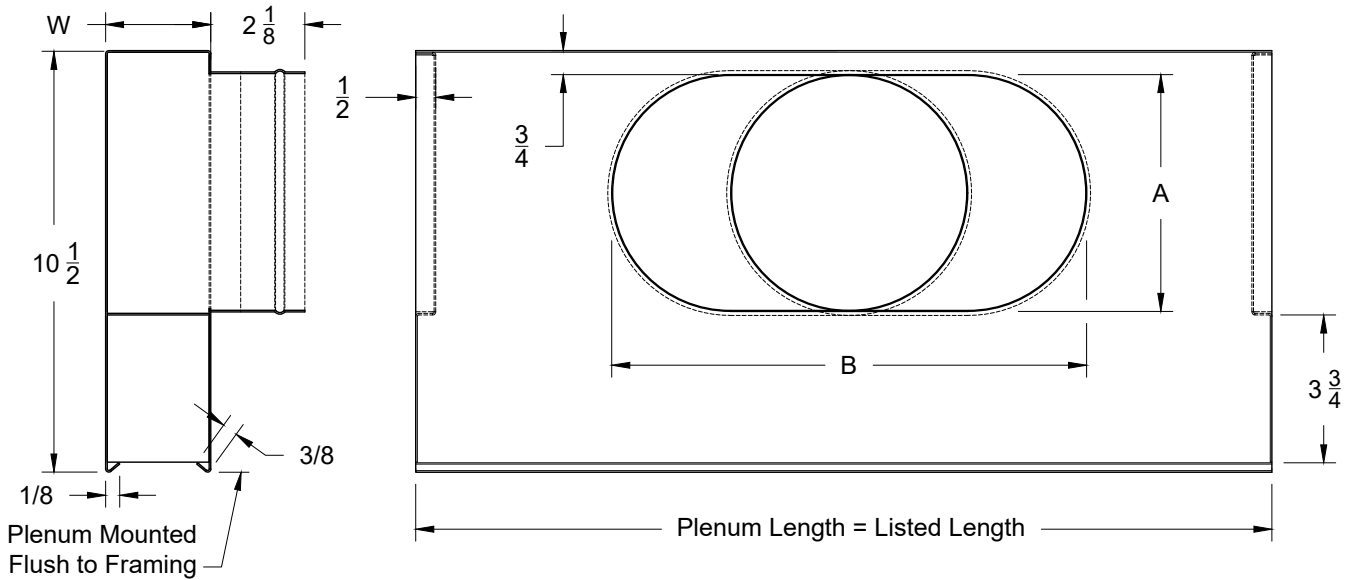
1EC - (1) End Cap
2EC - (2) End Caps
1EB - (1) End Border
2EB - (2) End Borders
OO - Open / Open

- Standard Lengths: 24, 36, 48, 60, 72
- Custom Length available for extra charge 12" minimum – 72" maximum
- NI - No Inlet

All Dimensions ±1/16"

Model: XG-UP-6675TZ-9 Universal Plenum Non-Insulated - 3/4" Slot Linear Diffuser - TechZone Bolt Slot

XG-UP-6675TZ-9 - TechZone Bolt Slot



MODEL	Grid Width	Number of Slots	W (Width)
XG-UP-6675TZ4-9	4	1	2
	4	2	3 1/2
XG-UP-6675TZ6-9	6	1	2
	6	2	3 1/2
	6	3	5

Inlet Chart			
Size	Type	A	B
6	Round	5 7/8	NA
7	Oval	5 7/8	7 1/4
8	Oval	5 7/8	8 3/8
9	Oval	5 7/8	10
10	Oval	5 7/8	11 9/16
12	Oval	5 7/8	14 13/16
14	Oval	5 7/8	17 13/16

1. Available Finishes

2. Available Accessories

3. Available Options

4. Construction Details

XG-FODR - Face Operated Damper Rod
XG-ID - Inlet Damper
XG-LQ - Locking Quadrant Damper
XG-ROD - Remote Operated Damper

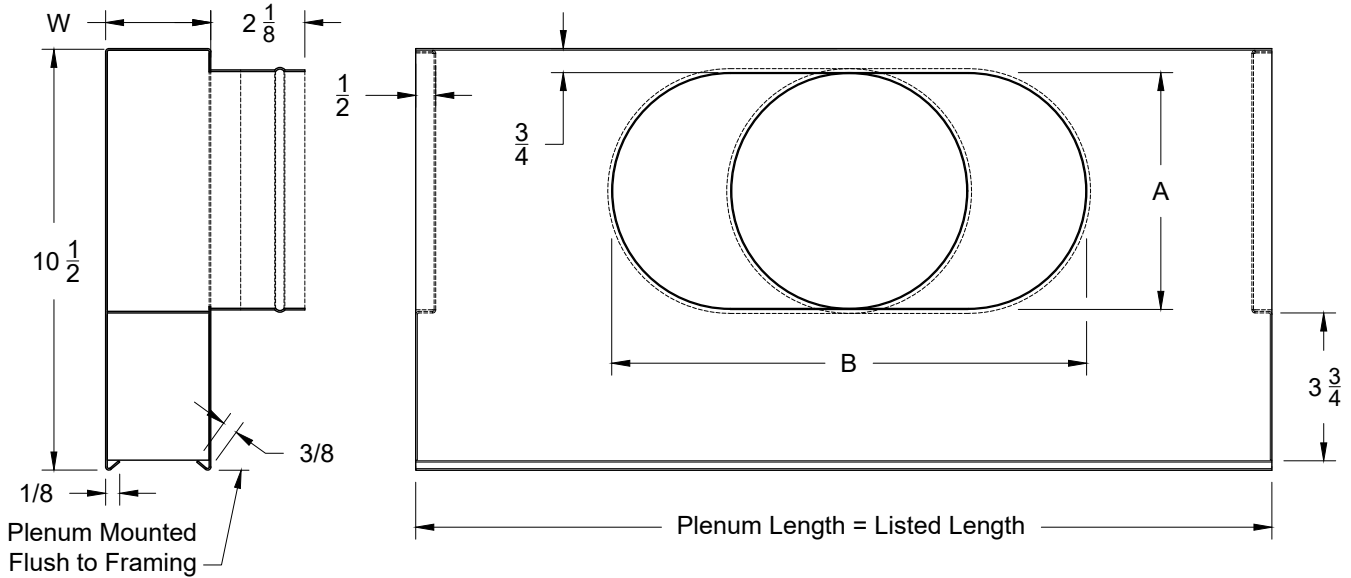
1EC - (1) End Cap
2EC - (2) End Caps
1EB - (1) End Border
2EB - (2) End Borders
OO - Open / Open

- Standard Lengths: 24, 36, 48, 60, 72
- Custom Length available for extra charge 12" minimum – 72" maximum
- NI - No Inlet

All Dimensions $\pm 1/16$ "

Model: XG-UP-6675TZ-NT Universal Plenum Non-Insulated - 3/4" Slot Linear Diffuser - TechZone Narrow Tee

XG-UP-6675TZ-NT - TechZone Narrow Tee



MODEL	Grid Width	Number of Slots	W (Width)
XG-UP-6675TZ4-NT	4	1	2
	4	2	3 1/2
XG-UP-6675TZ6-NT	6	1	2
	6	2	3 1/2
	6	3	5

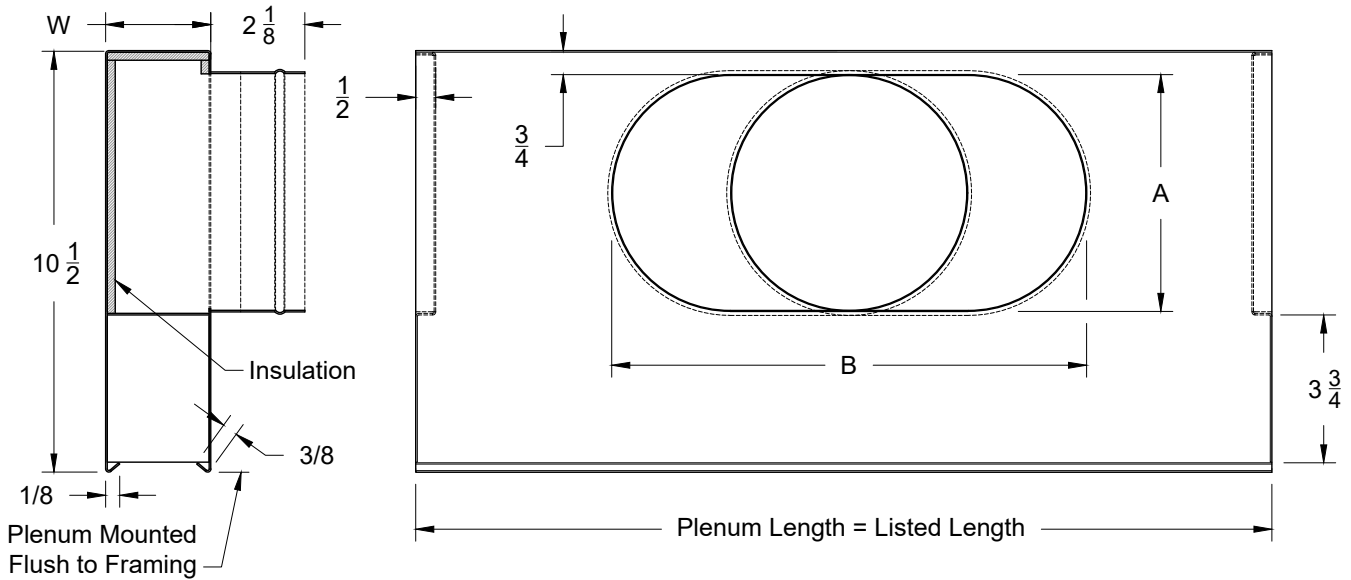
Inlet Chart			
Size	Type	A	B
6	Round	5 7/8	NA
7	Oval	5 7/8	7 1/4
8	Oval	5 7/8	8 3/8
9	Oval	5 7/8	10
10	Oval	5 7/8	11 9/16
12	Oval	5 7/8	14 13/16
14	Oval	5 7/8	17 13/16

1. Available Finishes	2. Available Accessories	3. Available Options	4. Construction Details
	XG-FODR - Face Operated Damper Rod XG-ID - Inlet Damper XG-LQ - Locking Quadrant Damper XG-ROD - Remote Operated Damper	1EC - (1) End Cap 2EC - (2) End Caps 1EB - (1) End Border 2EB - (2) End Borders OO - Open / Open	<ul style="list-style-type: none"> Standard Lengths: 24, 36, 48, 60, 72 Custom Length available for extra charge 12" minimum – 72" maximum NI - No Inlet

All Dimensions $\pm 1/16$ "

Model: XG-UPI-6675TZ-6 Universal Plenum Non-Insulated - 3/4" Slot Linear Diffuser - TechZone Lay-In T-Bar

XG-UPI-6675TZ-6 - TechZone Lay-In T-Bar



MODEL	Grid Width	Number of Slots	W (Width)
XG-UPI-6675TZ4-6	4	1	2
	4	2	3 1/2
XG-UPI-6675TZ6-6	6	1	2
	6	2	3 1/2
	6	3	5
	6	4	6

Inlet Chart			
Size	Type	A	B
6	Round	5 7/8	NA
7	Oval	5 7/8	7 1/4
8	Oval	5 7/8	8 3/8
9	Oval	5 7/8	10
10	Oval	5 7/8	11 9/16
12	Oval	5 7/8	14 13/16
14	Oval	5 7/8	17 13/16

1. Available Finishes

2. Available Accessories

3. Available Options

4. Construction Details

XG-FODR - Face Operated Damper Rod
XG-ID - Inlet Damper
XG-LQ - Locking Quadrant Damper
XG-ROD - Remote Operated Damper

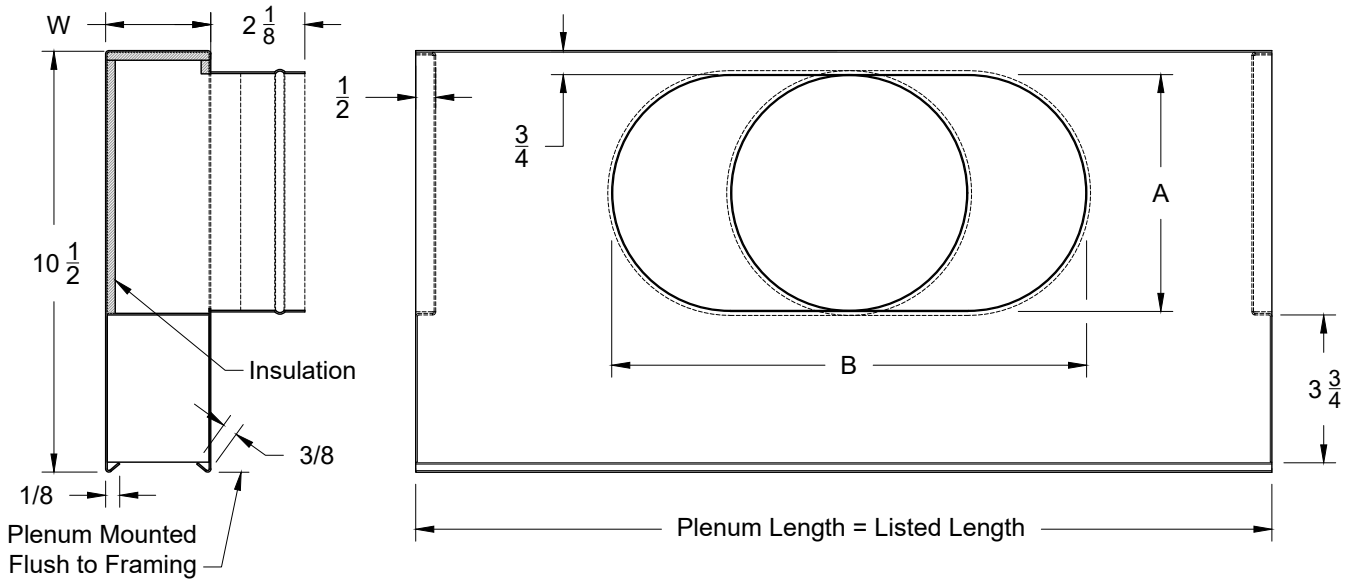
1EC - (1) End Cap
2EC - (2) End Caps
1EB - (1) End Border
2EB - (2) End Borders
OO - Open / Open

- Standard Lengths: 24, 36, 48, 60, 72
- Custom Length available for extra charge 12" minimum – 72" maximum
- NI - No Inlet

All Dimensions $\pm 1/16$ "

Model: XG-UPI-6675TZ-9 Universal Plenum Non-Insulated - 3/4" Slot Linear Diffuser - TechZone Bolt Slot

XG-UPI-6675TZ-9 - TechZone Bolt Slot



MODEL	Grid Width	Number of Slots	W (Width)
XG-UPI-6675TZ4-9	4	1	2
	4	2	3 1/2
XG-UPI-6675TZ6-9	6	1	2
	6	2	3 1/2
	6	3	5

Inlet Chart			
Size	Type	A	B
6	Round	5 7/8	NA
7	Oval	5 7/8	7 1/4
8	Oval	5 7/8	8 3/8
9	Oval	5 7/8	10
10	Oval	5 7/8	11 9/16
12	Oval	5 7/8	14 13/16
14	Oval	5 7/8	17 13/16

1. Available Finishes

2. Available Accessories

3. Available Options

4. Construction Details

XG-FODR - Face Operated Damper Rod
XG-ID - Inlet Damper
XG-LQ - Locking Quadrant Damper
XG-ROD - Remote Operated Damper

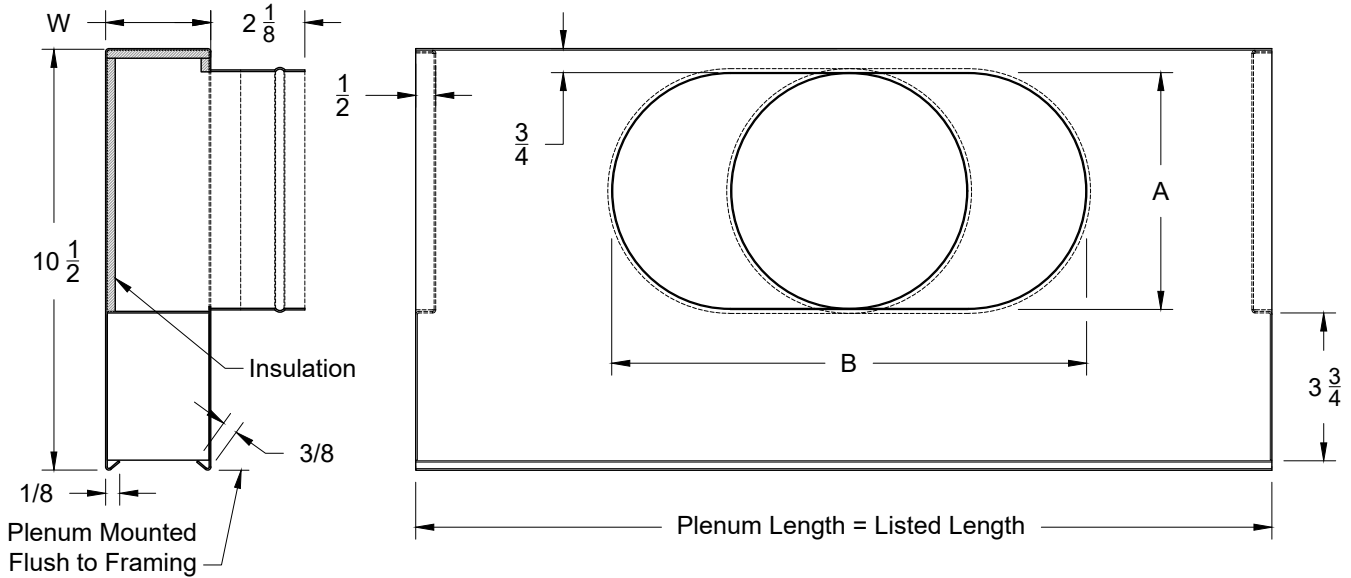
1EC - (1) End Cap
2EC - (2) End Caps
1EB - (1) End Border
2EB - (2) End Borders
OO - Open / Open

- Standard Lengths: 24, 36, 48, 60, 72
- Custom Length available for extra charge 12" minimum – 72" maximum
- NI - No Inlet

All Dimensions $\pm 1/16$ "

Model: XG-UPI-6675TZ-NT Universal Plenum Non-Insulated - 3/4" Slot Linear Diffuser - TechZone Narrow Tee

XG-UPI-6675TZ-NT - TechZone Narrow Tee



MODEL	Grid Width	Number of Slots	W (Width)
XG-UPI-6675TZ4-NT	4	1	2
	4	2	3 1/2
XG-UPI-6675TZ6-NT	6	1	2
	6	2	3 1/2
	6	3	5

Inlet Chart			
Size	Type	A	B
6	Round	5 7/8	NA
7	Oval	5 7/8	7 1/4
8	Oval	5 7/8	8 3/8
9	Oval	5 7/8	10
10	Oval	5 7/8	11 9/16
12	Oval	5 7/8	14 13/16
14	Oval	5 7/8	17 13/16

1. Available Finishes	2. Available Accessories	3. Available Options	4. Construction Details
	XG-FODR - Face Operated Damper Rod XG-ID - Inlet Damper XG-LQ - Locking Quadrant Damper XG-ROD - Remote Operated Damper	1EC - (1) End Cap 2EC - (2) End Caps 1EB - (1) End Border 2EB - (2) End Borders OO - Open / Open	<ul style="list-style-type: none"> Standard Lengths: 24, 36, 48, 60, 72 Custom Length available for extra charge 12" minimum – 72" maximum NI - No Inlet

All Dimensions $\pm 1/16$ "