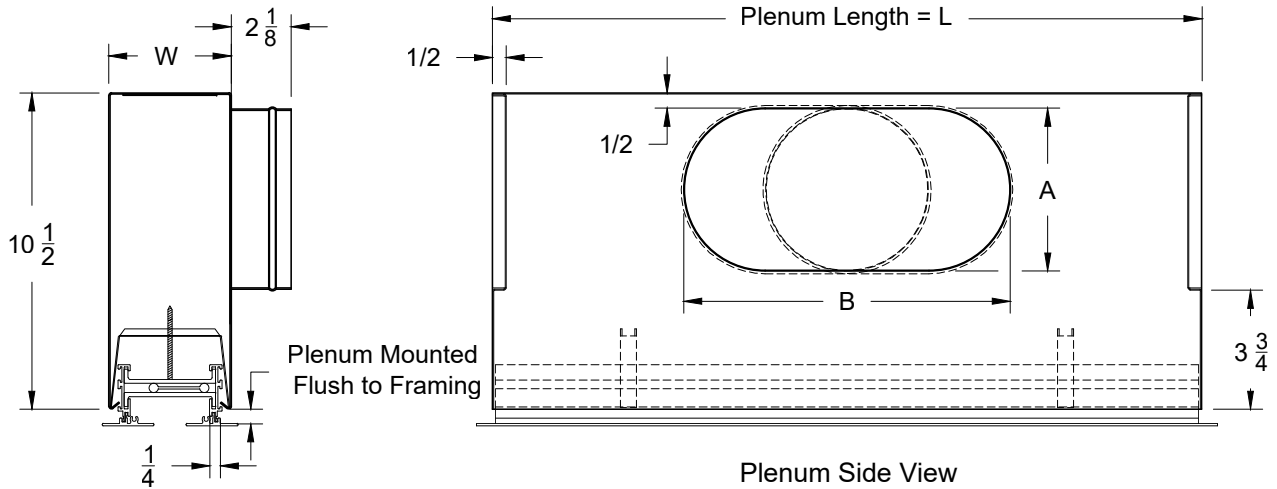


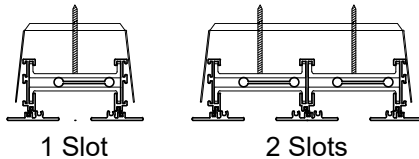
Model: XG-UP-AFLC-10 Linear Diffuser Plenum with Concealed Mounting - 1" Slot - Non Insulated

XG-UP-AFLC-10 - 1" Slot - Non Insulated



Plenum (Installed) End View

Plenum Side View



1 Slot

2 Slots

Models	Slot Width	Number of Slots	W (Width)
UP-AFLC-10	1	1	3 3/4
UP-AFLC-10	1	2	6 11/16

Inlet Chart			
Size	Type	A	B
6	Round	5 7/8	-
7	Oval	5 7/8	7 1/4
8	Oval	5 7/8	8 3/8
9	Oval	5 7/8	10
10	Oval	5 7/8	11 9/16
12	Oval	5 7/8	14 13/16
14	Oval	5 7/8	17 13/16

Length
L
24
36
48
60
72

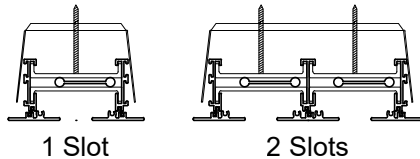
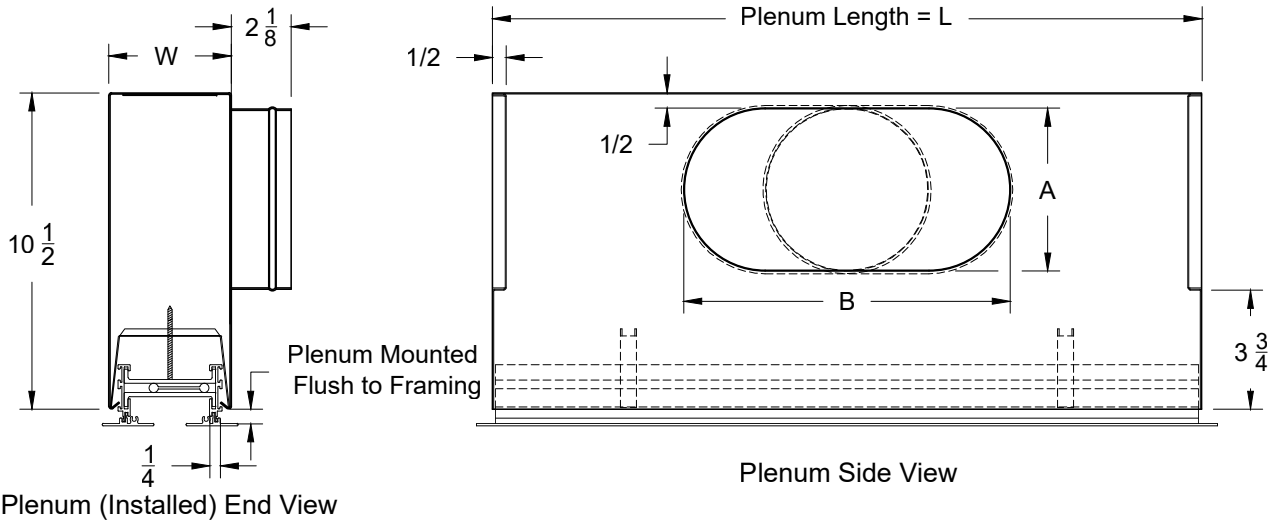
L = Listed Size ± Linear End Types								
Model	Frame Type	2-EB	1-EB	OO	1-EC	2-EC	MM	MO
UP-AFLC-10	-1	- 1/16	- 1/16	- 1/16	- 1/16	- 1/16	- 1/16	- 1/16
UP-AFLC-10	-6	- 2 1/4	- 1 1/8	0	- 1/8	- 1/4	- 1 1/8	- 5/8

1. Available Finishes	2. Available Accessories	3. Available Options	4. Construction Details
	XG-FODR - Face Operated Damper Rod XG-ID - Inlet Damper XG-LQ - Locking Quadrant Damper XG-ROD - Remote Operated Damper	1EC - (1) End Cap 2EC - (2) End Caps 1EB - (1) End Border 2EB - (2) End Borders OO - Open / Open	<ul style="list-style-type: none"> Standard Lengths: 24, 36, 48, 60, 72 Custom Length available for extra charge 12" minimum – 72" maximum NI - No Inlet

All Dimensions ±1/16"

Model: XG-UP-AFLC-15 Linear Diffuser Plenum with Concealed Mounting - 1 1/2" Slot - Non Insulated

XG-UP-AFLC-15 - 1 1/2" Slot - Non Insulated



Inlet Chart			
Size	Type	A	B
6	Round	5 7/8	-
7	Oval	5 7/8	7 1/4
8	Oval	5 7/8	8 3/8
9	Oval	5 7/8	10
10	Oval	5 7/8	11 9/16
12	Oval	5 7/8	14 13/16
14	Oval	5 7/8	17 13/16

Length
L
24
36
48
60
72

Models	Slot Width	Number of Slots	W (Width)
UP-AFLC-15	1 1/2	1	4 1/4
UP-AFLC-15	1 1/2	2	7 11/16

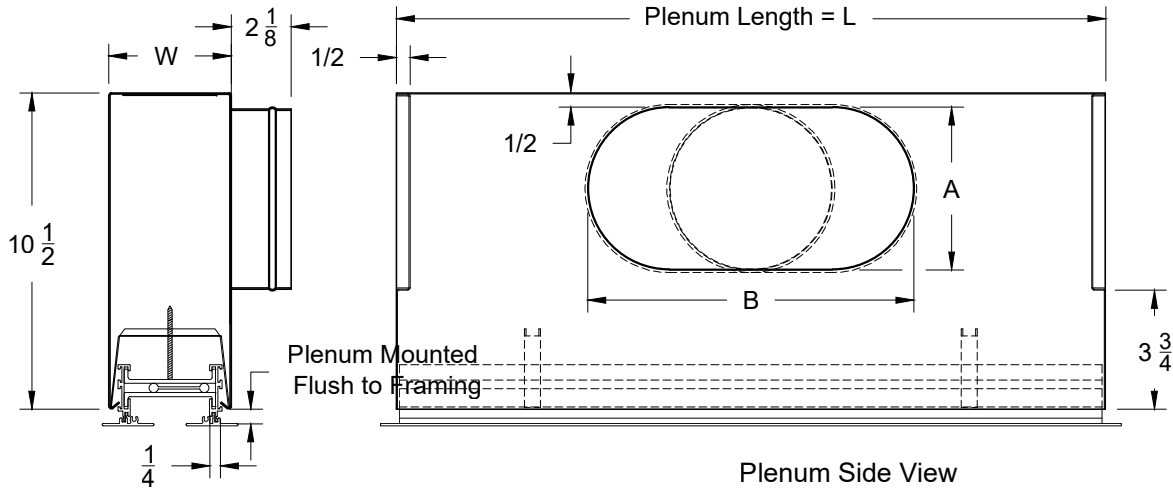
L = Listed Size ± Linear End Types								
Model	Frame Type	2-EB	1-EB	OO	1-EC	2-EC	MM	MO
UP-AFLC-15	-1	- 1/16	- 1/16	- 1/16	- 1/16	- 1/16	- 1/16	- 1/16
UP-AFLC-15	-6	- 2 1/4	- 1 1/8	0	- 1/8	- 1/4	- 1 1/8	- 5/8

1. Available Finishes	2. Available Accessories	3. Available Options	4. Construction Details
	XG-FODR - Face Operated Damper Rod XG-ID - Inlet Damper XG-LQ - Locking Quadrant Damper XG-ROD - Remote Operated Damper	1EC - (1) End Cap 2EC - (2) End Caps 1EB - (1) End Border 2EB - (2) End Borders OO - Open / Open	<ul style="list-style-type: none"> Standard Lengths: 24, 36, 48, 60, 72 Custom Length available for extra charge 12" minimum – 72" maximum NI - No Inlet

All Dimensions ±1/16"

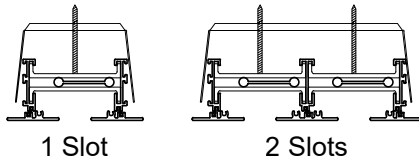
Model: XG-UP-AFLC-20 Linear Diffuser Plenum with Concealed Mounting - 2" Slot - Non Insulated

XG-UP-AFLC-20 - 2" Slot - Non Insulated



Plenum (Installed) End View

Plenum Side View



1 Slot

2 Slots

Models	Slot Width	Number of Slots	W (Width)
UP-AFLC-20	2	1	4 3/4
UP-AFLC-20	2	2	7 11/16

Inlet Chart			
Size	Type	A	B
6	Round	5 7/8	-
7	Oval	5 7/8	7 1/4
8	Oval	5 7/8	8 3/8
9	Oval	5 7/8	10
10	Oval	5 7/8	11 9/16
12	Oval	5 7/8	14 13/16
14	Oval	5 7/8	17 13/16

Length
L
24
36
48
60
72

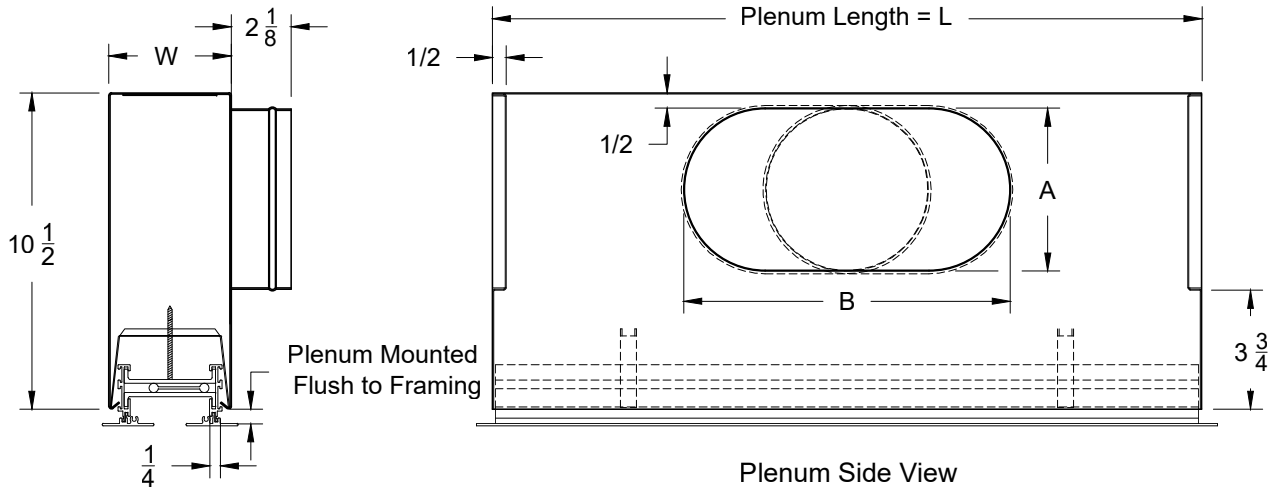
L = Listed Size ± Linear End Types								
Model	Frame Type	2-EB	1-EB	OO	1-EC	2-EC	MM	MO
UP-AFLC-20	-1	- 1/16	- 1/16	- 1/16	- 1/16	- 1/16	- 1/16	- 1/16
UP-AFLC-20	-6	- 2 1/4	- 1 1/8	0	- 1/8	- 1/4	- 1 1/8	- 5/8

1. Available Finishes	2. Available Accessories	3. Available Options	4. Construction Details
	XG-FODR - Face Operated Damper Rod XG-ID - Inlet Damper XG-LQ - Locking Quadrant Damper XG-ROD - Remote Operated Damper	1EC - (1) End Cap 2EC - (2) End Caps 1EB - (1) End Border 2EB - (2) End Borders OO - Open / Open	<ul style="list-style-type: none"> Standard Lengths: 24, 36, 48, 60, 72 Custom Length available for extra charge 12" minimum – 72" maximum NI - No Inlet

All Dimensions ±1/16"

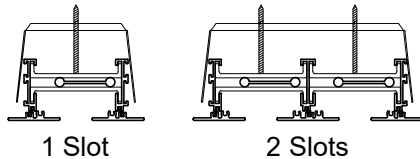
Model: XG-UP-AFLC-25 Linear Diffuser Plenum with Concealed Mounting - 2 1/2" Slot - Non Insulated

XG-UP-AFLC-25 - 2 1/2" Slot - Non Insulated



Plenum (Installed) End View

Plenum Side View



1 Slot

2 Slots

Models	Slot Width	Number of Slots	W (Width)
UP-AFLC-25	2 1/2	1	6 1/4
UP-AFLC-25	2 1/2	2	11 11/16

Inlet Chart			
Size	Type	A	B
6	Round	5 7/8	-
7	Oval	5 7/8	7 1/4
8	Oval	5 7/8	8 3/8
9	Oval	5 7/8	10
10	Oval	5 7/8	11 9/16
12	Oval	5 7/8	14 13/16
14	Oval	5 7/8	17 13/16

Length
L
24
36
48
60
72

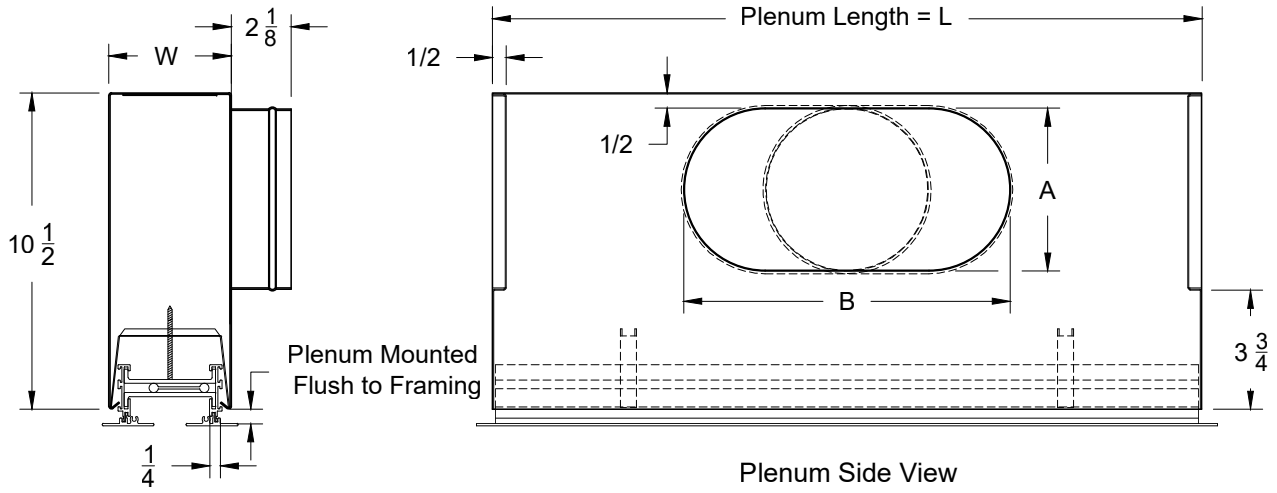
L = Listed Size ± Linear End Types								
Model	Frame Type	2-EB	1-EB	OO	1-EC	2-EC	MM	MO
UP-AFLC-25	-1	- 1/16	- 1/16	- 1/16	- 1/16	- 1/16	- 1/16	- 1/16
UP-AFLC-25	-6	- 2 1/4	- 1 1/8	0	- 1/8	- 1/4	- 1 1/8	- 5/8

1. Available Finishes	2. Available Accessories	3. Available Options	4. Construction Details
	XG-FODR - Face Operated Damper Rod XG-ID - Inlet Damper XG-LQ - Locking Quadrant Damper XG-ROD - Remote Operated Damper	1EC - (1) End Cap 2EC - (2) End Caps 1EB - (1) End Border 2EB - (2) End Borders OO - Open / Open	<ul style="list-style-type: none"> Standard Lengths: 24, 36, 48, 60, 72 Custom Length available for extra charge 12" minimum – 72" maximum NI - No Inlet

All Dimensions ±1/16"

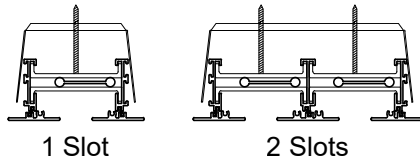
Model: XG-UP-AFLC-30 Linear Diffuser Plenum with Concealed Mounting - 3" Slot - Non Insulated

XG-UP-AFLC-30 - 3" Slot - Non Insulated



Plenum (Installed) End View

Plenum Side View



1 Slot

2 Slots

Models	Slot Width	Number of Slots	W (Width)
UP-AFLC-30	3	1	6 3/4
UP-AFLC-30	3	2	12 11/16

Inlet Chart			
Size	Type	A	B
6	Round	5 7/8	-
7	Oval	5 7/8	7 1/4
8	Oval	5 7/8	8 3/8
9	Oval	5 7/8	10
10	Oval	5 7/8	11 9/16
12	Oval	5 7/8	14 13/16
14	Oval	5 7/8	17 13/16

Length
L
24
36
48
60
72

L = Listed Size ± Linear End Types								
Model	Frame Type	2-EB	1-EB	OO	1-EC	2-EC	MM	MO
UP-AFLC-30	-1	- 1/16	- 1/16	- 1/16	- 1/16	- 1/16	- 1/16	- 1/16
UP-AFLC-30	-6	- 2 1/4	- 1 1/8	0	- 1/8	- 1/4	- 1 1/8	- 5/8

1. Available Finishes	2. Available Accessories	3. Available Options	4. Construction Details
	XG-FODR - Face Operated Damper Rod XG-ID - Inlet Damper XG-LQ - Locking Quadrant Damper XG-ROD - Remote Operated Damper	1EC - (1) End Cap 2EC - (2) End Caps 1EB - (1) End Border 2EB - (2) End Borders OO - Open / Open	<ul style="list-style-type: none"> Standard Lengths: 24, 36, 48, 60, 72 Custom Length available for extra charge 12" minimum – 72" maximum NI - No Inlet

All Dimensions ±1/16"