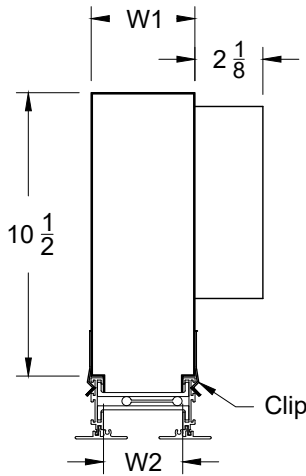
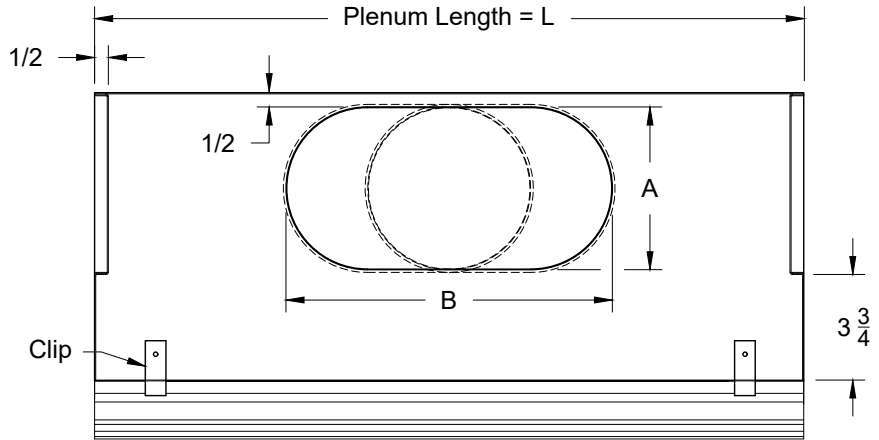


Model: XG-UP-AFL-10 Linear Diffuser Plenum - 1" Slot - Non Insulated

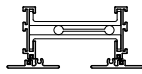
XG-UP-AFL-10 - 1" Slot - Non Insulated



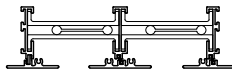
Plenum (Installed) End View



Plenum Side View



1 Slot



2 Slots

Models	Slot Width	Number of Slots	W1	W2
XG-UP-AFL-10	1	1	3 1/4	2 1/4
XG-UP-AFL-10	1	2	6 3/16	5 3/16

Inlet Chart			
Size	Type	A	B
6	Round	5 7/8	-
7	Oval	5 7/8	7 1/4
8	Oval	5 7/8	8 3/8
9	Oval	5 7/8	10
10	Oval	5 7/8	11 9/16
12	Oval	5 7/8	14 13/16
14	Oval	5 7/8	17 13/16

Length
L
24
36
48
60
72

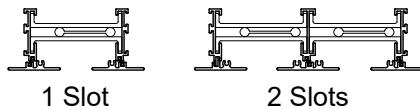
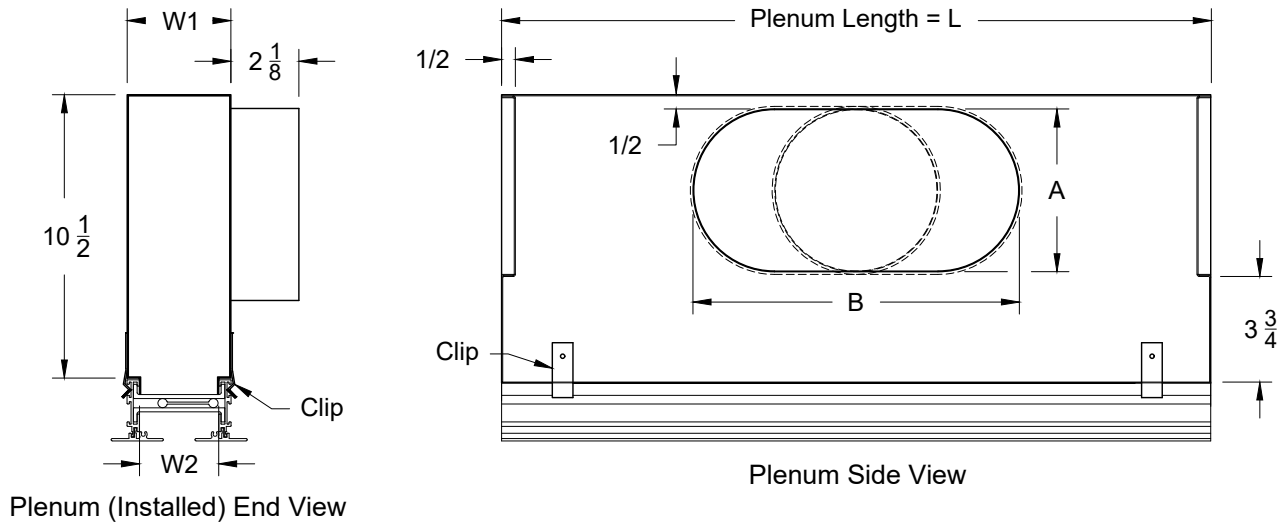
L = Listed Size ± Linear End Types								
Model	Frame Type	2-EB	1-EB	OO	1-EC	2-EC	MM	MO
XG-UP-AFL-10	-1	- 1/4	- 1/4	- 1/4	- 1/4	- 1/4	- 1/4	- 1/4
XG-UP-AFL-10	-6	- 2 1/4	-1	0	-1/8	-1/4	-1 1/4	-5/8

1. Available Finishes	2. Available Accessories	3. Available Options	4. Construction Details
	XG-FODR - Face Operated Damper Rod XG-ID - Inlet Damper XG-LQ - Locking Quadrant Damper XG-ROD - Remote Operated Damper	1EC - (1) End Cap 2EC - (2) End Caps 1EB - (1) End Border 2EB - (2) End Borders OO - Open / Open	<ul style="list-style-type: none"> Standard Lengths: 24, 36, 48, 60, 72 Custom Length available for extra charge 12" minimum – 72" maximum NI - No Inlet

All Dimensions ±1/16"

Model: XG-UP-AFL-15 Linear Diffuser Plenum - 1 1/2" Slot - Non Insulated

XG-UP-AFL-15 - 1 1/2" Slot - Non Insulated



Models	Slot Width	Number of Slots	W1	W2
XG-UP-AFL-15	1 1/2	1	3 3/4	2 3/4
XG-UP-AFL-15	1 1/2	2	7 3/16	6 3/16

Inlet Chart			
Size	Type	A	B
6	Round	5 7/8	-
7	Oval	5 7/8	7 1/4
8	Oval	5 7/8	8 3/8
9	Oval	5 7/8	10
10	Oval	5 7/8	11 9/16
12	Oval	5 7/8	14 13/16
14	Oval	5 7/8	17 13/16

Length
L
24
36
48
60
72

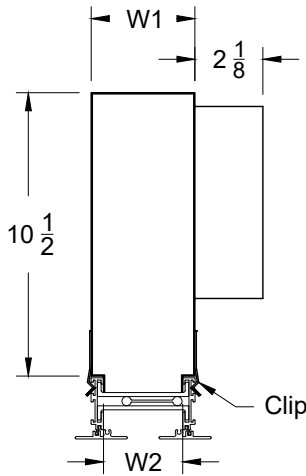
L = Listed Size ± Linear End Types								
Model	Frame Type	2-EB	1-EB	OO	1-EC	2-EC	MM	MO
XG-UP-AFL-15	-1	- 1/4	- 1/4	- 1/4	- 1/4	- 1/4	- 1/4	- 1/4
XG-UP-AFL-15	-6	- 2 1/4	-1	0	-1/8	-1/4	-1 1/4	-5/8

1. Available Finishes	2. Available Accessories	3. Available Options	4. Construction Details
	XG-FODR - Face Operated Damper Rod XG-ID - Inlet Damper XG-LQ - Locking Quadrant Damper XG-ROD - Remote Operated Damper	1EC - (1) End Cap 2EC - (2) End Caps 1EB - (1) End Border 2EB - (2) End Borders OO - Open / Open	<ul style="list-style-type: none"> Standard Lengths: 24, 36, 48, 60, 72 Custom Length available for extra charge 12" minimum – 72" maximum NI - No Inlet

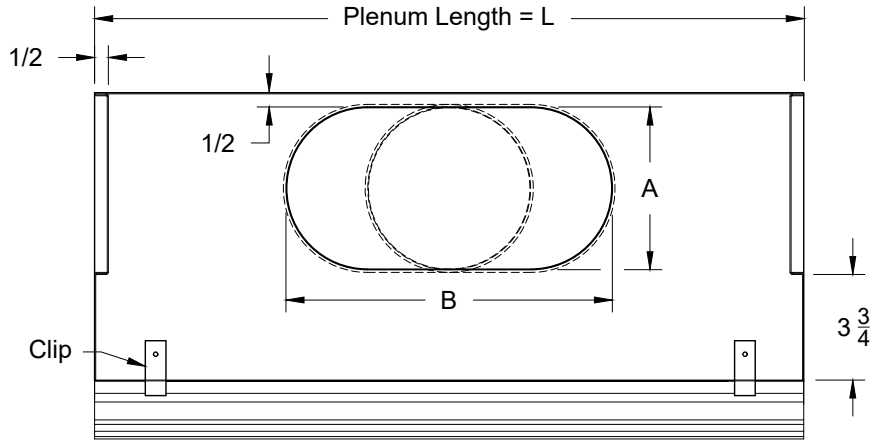
All Dimensions ±1/16"

Model: XG-UP-AFL-20 Linear Diffuser Plenum - 2" Slot - Non Insulated

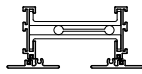
XG-UP-AFL-20 - 2" Slot - Non Insulated



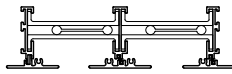
Plenum (Installed) End View



Plenum Side View



1 Slot



2 Slots

Models	Slot Width	Number of Slots	W1	W2
XG-UP-AFL-20	2	1	4 1/4	3 1/4
XG-UP-AFL-20	2	2	8 3/16	7 3/16

Inlet Chart			
Size	Type	A	B
6	Round	5 7/8	-
7	Oval	5 7/8	7 1/4
8	Oval	5 7/8	8 3/8
9	Oval	5 7/8	10
10	Oval	5 7/8	11 9/16
12	Oval	5 7/8	14 13/16
14	Oval	5 7/8	17 13/16

Length
L
24
36
48
60
72

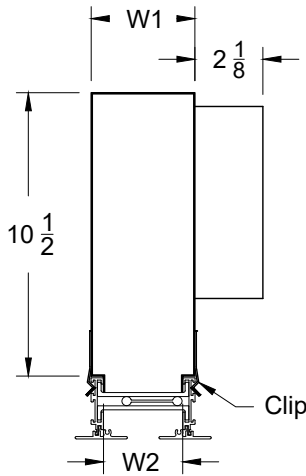
L = Listed Size ± Linear End Types								
Model	Frame Type	2-EB	1-EB	OO	1-EC	2-EC	MM	MO
XG-UP-AFL-20	-1	- 1/4	- 1/4	- 1/4	- 1/4	- 1/4	- 1/4	- 1/4
XG-UP-AFL-20	-6	- 2 1/4	-1	0	-1/8	-1/4	-1 1/4	-5/8

1. Available Finishes	2. Available Accessories	3. Available Options	4. Construction Details
	XG-FODR - Face Operated Damper Rod XG-ID - Inlet Damper XG-LQ - Locking Quadrant Damper XG-ROD - Remote Operated Damper	1EC - (1) End Cap 2EC - (2) End Caps 1EB - (1) End Border 2EB - (2) End Borders OO - Open / Open	<ul style="list-style-type: none"> Standard Lengths: 24, 36, 48, 60, 72 Custom Length available for extra charge 12" minimum – 72" maximum NI - No Inlet

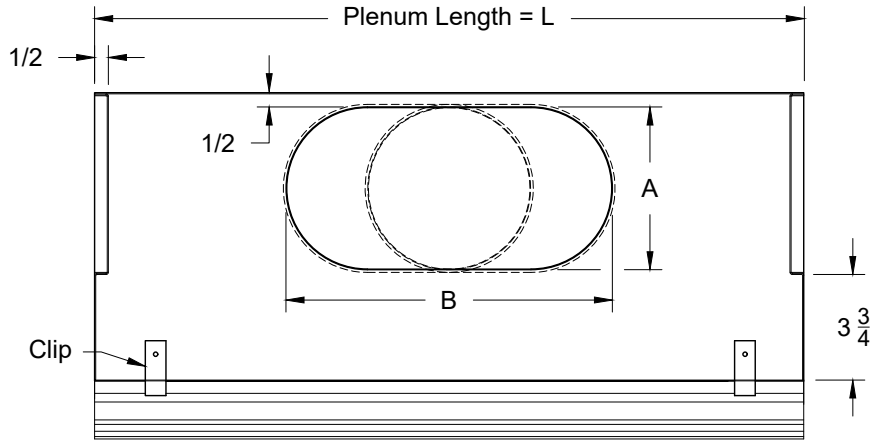
All Dimensions ±1/16"

Model: XG-UP-AFL-25 Linear Diffuser Plenum - 2 1/2" Slot - Non Insulated

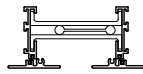
XG-UP-AFL-25 - 2 1/2" Slot - Non Insulated



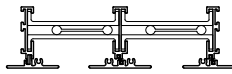
Plenum (Installed) End View



Plenum Side View



1 Slot



2 Slots

Models	Slot Width	Number of Slots	W1	W2
XG-UP-AFL-25	2 1/2	1	5 3/4	4 3/4
XG-UP-AFL-25	2 1/2	2	11 3/16	10 3/16

Inlet Chart			
Size	Type	A	B
6	Round	5 7/8	-
7	Oval	5 7/8	7 1/4
8	Oval	5 7/8	8 3/8
9	Oval	5 7/8	10
10	Oval	5 7/8	11 9/16
12	Oval	5 7/8	14 13/16
14	Oval	5 7/8	17 13/16

Length
L
24
36
48
60
72

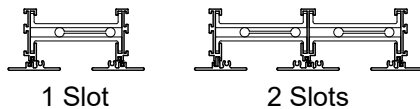
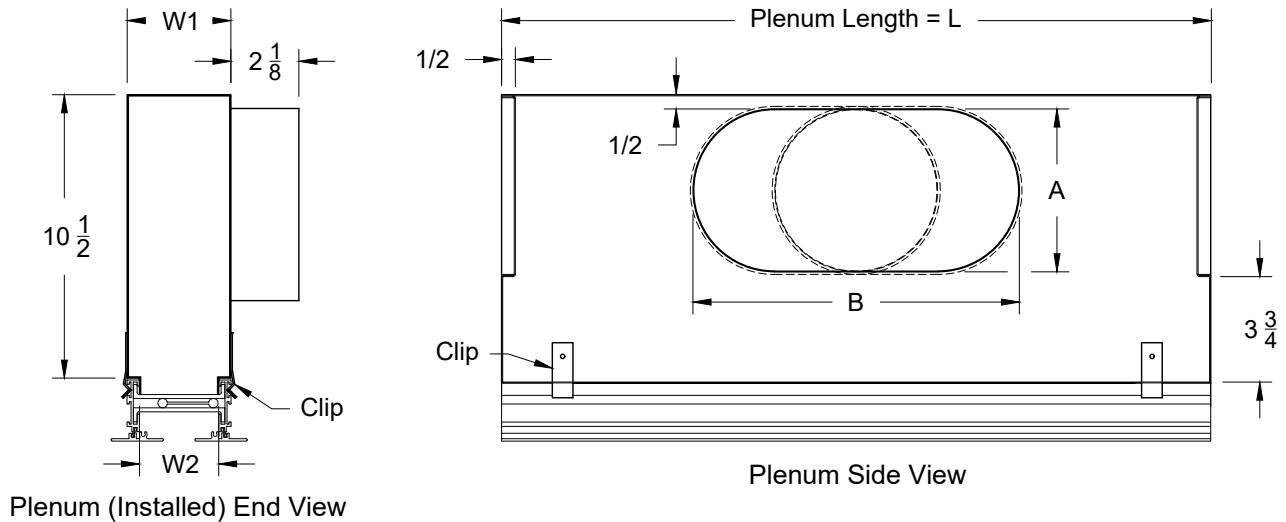
L = Listed Size ± Linear End Types								
Model	Frame Type	2-EB	1-EB	OO	1-EC	2-EC	MM	MO
XG-UP-AFL-25	-1	- 1/4	- 1/4	- 1/4	- 1/4	- 1/4	- 1/4	- 1/4
XG-UP-AFL-25	-6	- 2 1/4	-1	0	-1/8	-1/4	-1 1/4	-5/8

1. Available Finishes	2. Available Accessories	3. Available Options	4. Construction Details
	XG-FODR - Face Operated Damper Rod XG-ID - Inlet Damper XG-LQ - Locking Quadrant Damper XG-ROD - Remote Operated Damper	1EC - (1) End Cap 2EC - (2) End Caps 1EB - (1) End Border 2EB - (2) End Borders OO - Open / Open	<ul style="list-style-type: none"> Standard Lengths: 24, 36, 48, 60, 72 Custom Length available for extra charge 12" minimum – 72" maximum NI - No Inlet

All Dimensions ±1/16"

Model: XG-UP-AFL-30 Linear Diffuser Plenum - 3" Slot - Non Insulated

XG-UP-AFL-30 - 3" Slot - Non Insulated



Models	Slot Width	Number of Slots	W1	W2
XG-UP-AFL-30	3	1	6 1/4	5 1/4
XG-UP-AFL-30	3	2	12 3/16	11 3/16

Inlet Chart			
Size	Type	A	B
6	Round	5 7/8	-
7	Oval	5 7/8	7 1/4
8	Oval	5 7/8	8 3/8
9	Oval	5 7/8	10
10	Oval	5 7/8	11 9/16
12	Oval	5 7/8	14 13/16
14	Oval	5 7/8	17 13/16

Length
L
24
36
48
60
72

L = Listed Size ± Linear End Types								
Model	Frame Type	2-EB	1-EB	OO	1-EC	2-EC	MM	MO
XG-UP-AFL-30	-1	- 1/4	- 1/4	- 1/4	- 1/4	- 1/4	- 1/4	- 1/4
XG-UP-AFL-30	-6	- 2 1/4	-1	0	-1/8	-1/4	-1 1/4	-5/8

1. Available Finishes	2. Available Accessories	3. Available Options	4. Construction Details
	XG-FODR - Face Operated Damper Rod XG-ID - Inlet Damper XG-LQ - Locking Quadrant Damper XG-ROD - Remote Operated Damper	1EC - (1) End Cap 2EC - (2) End Caps 1EB - (1) End Border 2EB - (2) End Borders OO - Open / Open	<ul style="list-style-type: none"> Standard Lengths: 24, 36, 48, 60, 72 Custom Length available for extra charge 12" minimum – 72" maximum NI - No Inlet

All Dimensions ±1/16"