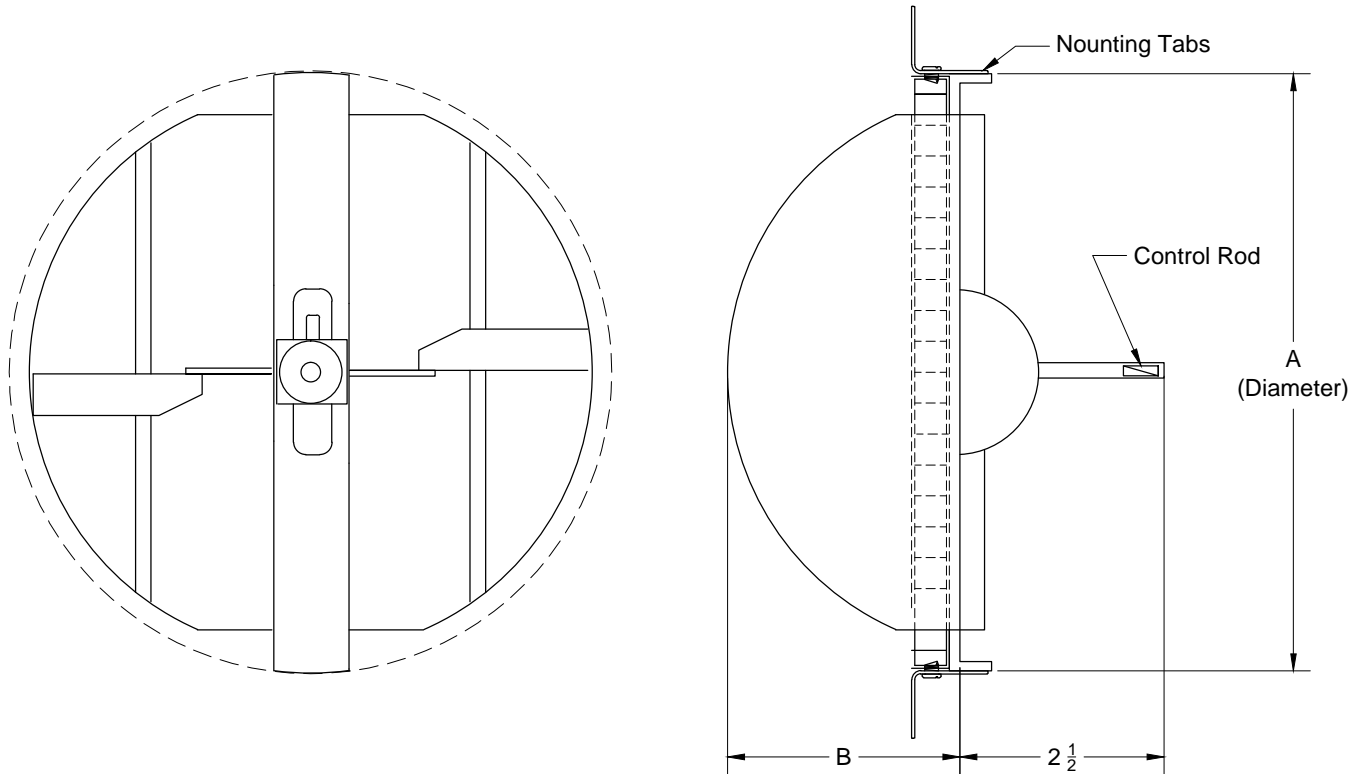


GRD Accessories

Equalizing Grid with Butterfly Damper

Models: XG-G3-BDS Equalizing Grid with Butterfly Damper

Model: XG-G3-BDS


Diffuser Neck Size	BDS Dimension	
	A	B
6	5 3/4	2 1/2
8	7 3/4	3 1/2
10	9 3/4	4 1/2
12	11 3/4	5 1/2
14	13 3/4	6 1/2
15	14 3/4	7
16	15 3/4	7 1/2

 Notes: (check if provided)

1. Available Finishes 24 - MILL FINISH	2. Construction Details <ul style="list-style-type: none"> ● Available in sizes only as listed. ● All are shipped unattached.
--	---