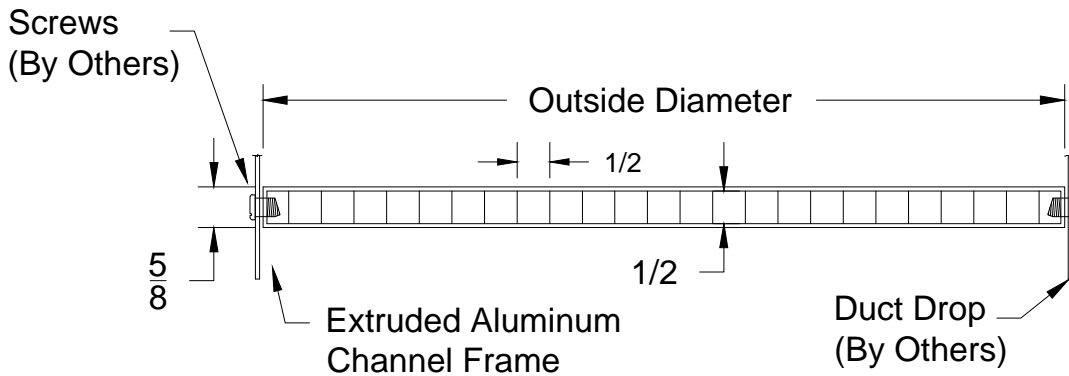


Accessories For Round Diffusers Aluminum

Models: **XG-G3** Equalizing Grid Aluminum



Diffuser Neck Diameter									
6	8	10	12	14	16	18	20	22	24
G3 Outside Diameter									
5 3/4	7 3/4	9 3/4	11 3/4	13 3/4	15 3/4	17 3/4	19 3/4	21 3/4	23 3/4

Notes: (check if provided)

1. Available Finishes	2. Construction Details
24 - MILL FINISH	<ul style="list-style-type: none"> Available in sizes only as listed. All are shipped unattached.