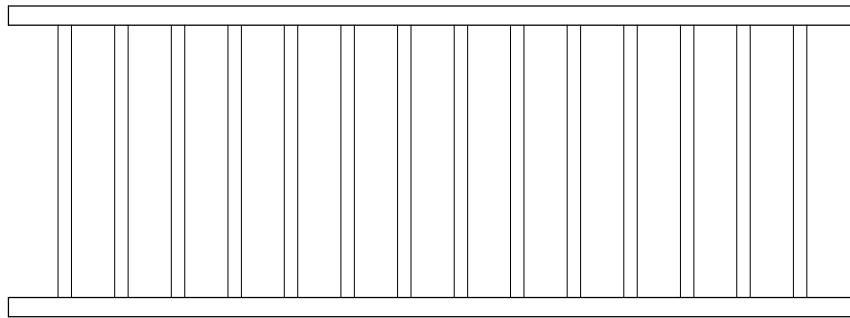


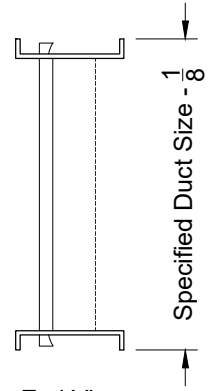
Model: XG-L9

Square / Rectangular Straightening Grid

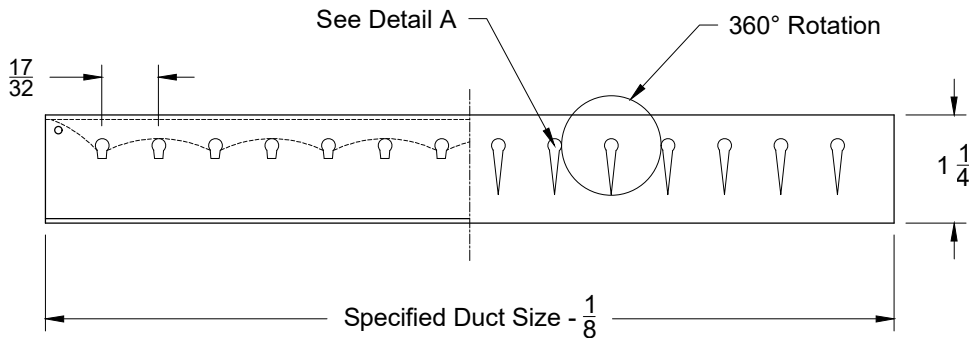
**XG-L9 - Square / Rectangular Grid - Straightening Grid**



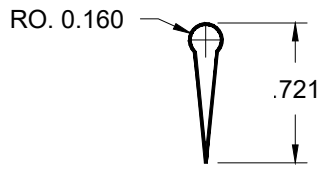
Face View



End View



Side View



Detail A

1. Available Finishes	2. Available Accessories	3. Available Options	4. Construction Details
Standard Finish: 24 Mill Finish			<ul style="list-style-type: none"> <li>• Aluminum Construction</li> <li>• Available in one piece sizes up to 48" x 18"</li> <li>• All are shipped unattached</li> </ul>

All Dimensions ±1/16"