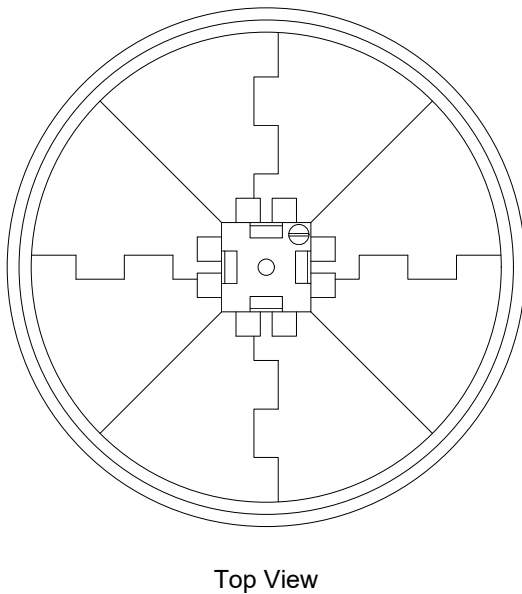
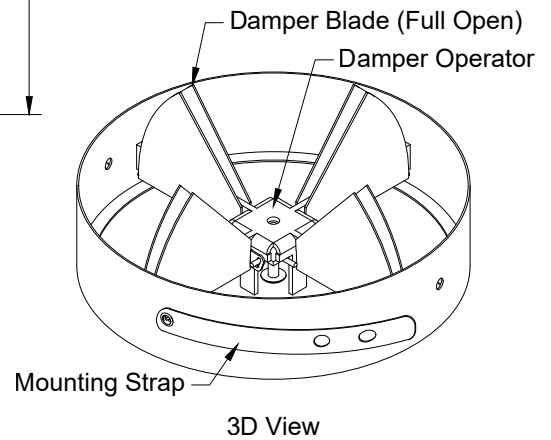
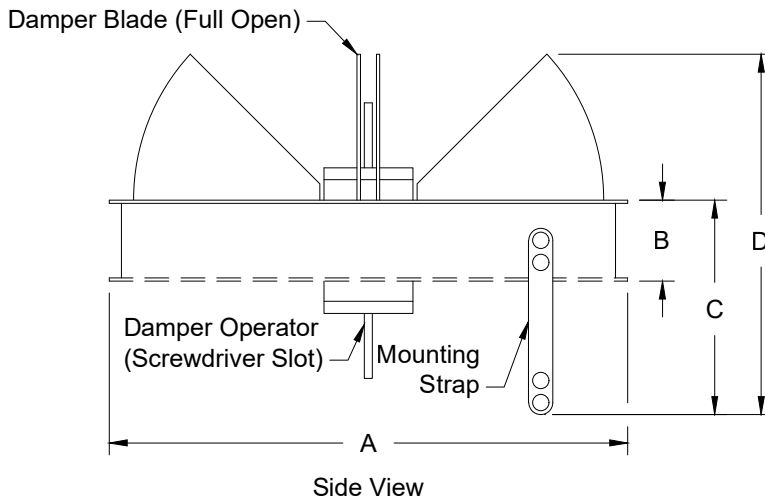


Model: XG-SD3 Radial Opposed Blade Damper

XG-SD3 - Radial Opposed Blade Damper



Size	A	B	C	D
6	5 7/8	1 1/4	3 1/2	4 3/4
8	7 7/8	1 1/4	3 1/2	5 1/4
10	9 7/8	1 1/4	3 1/2	6
12	11 7/8	2 1/8	3 7/8	6 7/8
14	13 7/8	2 1/8	3 7/8	7 1/8
16	15 7/8	2 1/8	3 7/8	8 7/8
18	17 7/8	2 1/8	3 7/8	9 3/8
20	19 7/8	2 1/8	3 7/8	9 7/8
24	23 7/8	2 1/8	3 7/8	8 7/8
30	29 7/8	2 1/8	3 7/8	9 3/8
36	35 7/8	2 1/8	3 7/8	9 7/8

1. Available Finishes	2. Available Accessories	3. Available Options	4. Construction Details
Standard Finish: 01 White			<ul style="list-style-type: none"> Steel Construction

All Dimensions ±1/16"