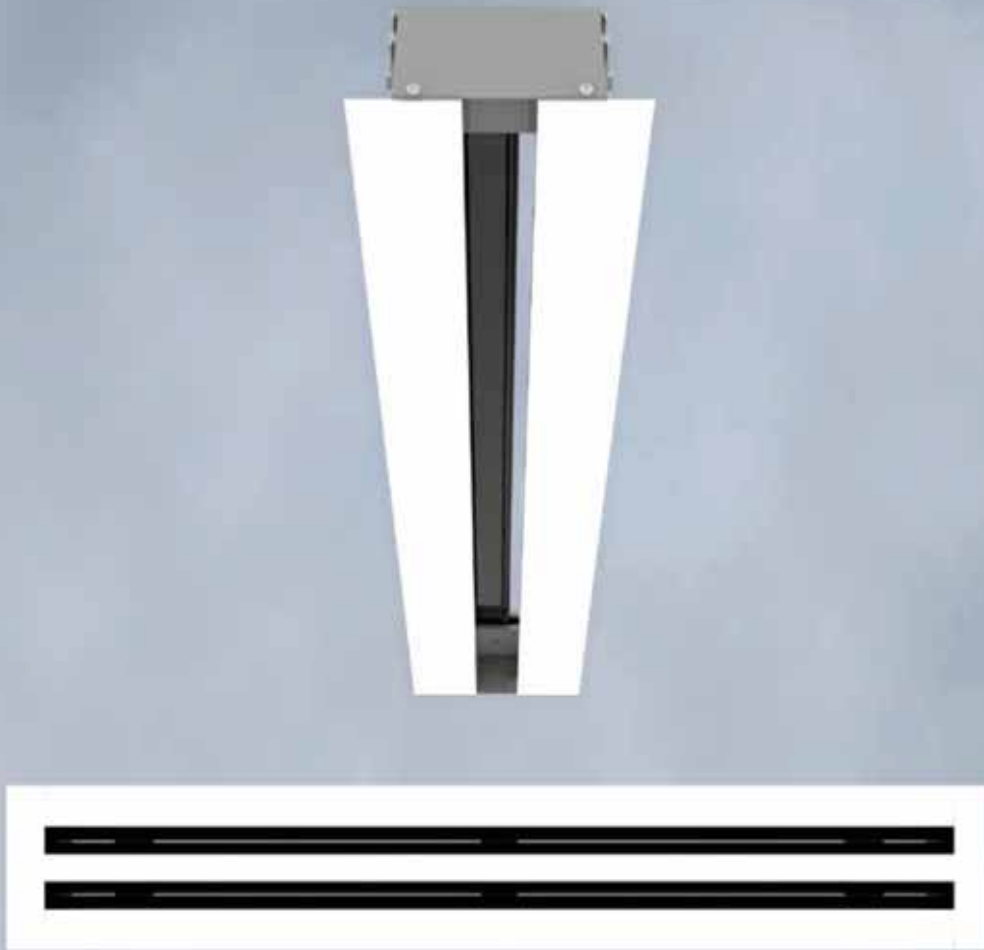


Linear Diffusers and Grilles



BUILDING VALUE IN AIR.



January
2024

LINEAR DIFFUSERS AND GRILLES

The Greenheck line of Linear Diffusers and Grilles is designed to satisfy the most discerning architect's design concept without compromising engineering performance. Linear slot diffusers and grilles can be divided into four categories: Formations, Linear Slot Diffusers, Linear Bar Grilles, and Louver Face Linear Diffusers.



Formations satisfy the most demanding engineering and architectural criteria, providing superior air distribution, performance and sculpted elegance. Formations are available in linear, square and curved configurations. The refined lines and visual architectural appeal of Formations makes it ideal for integration into any ceiling system.

PAGE 3



Linear Slot Diffusers are an excellent choice for continuous linear applications such as perimeter office space, airport terminals, convention centers and shopping malls. The flexibility of these diffusers allows installation in a variety of applications to maximize occupant comfort. Linear slot diffusers are available in both straight and curved applications.

PAGE 134



Linear Bar Grilles are engineered for supply and return air distribution in heating and cooling applications and are designed for sidewall, floor, sill and ceiling installation. Linear bar grilles are available in straight, continuous and curved applications.

PAGE 218



Louver Face Linear Diffusers are designed for continuous length applications where the clean lines of a louver face diffuser are desirable.

PAGE 266

FORMATIONS LINEAR DIFFUSERS

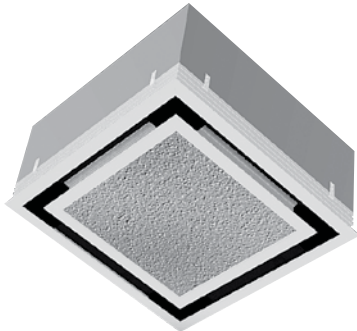
FORMATIONS LINEAR



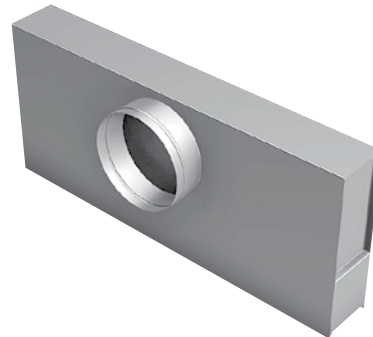
FORMATIONS TEE SYSTEM



FORMATIONS INTEGRA



FORMATIONS PLENUMS



FORMATIONS ACCESSORIES



Greenheck Formations is designed to integrate with all ceiling systems. Formations are available in both straight and curved sections to satisfy the most demanding architectural designs. The Formations line of architectural diffusers is an excellent choice for offices, libraries, airports, community buildings, restaurants, lobbies and retail spaces.

Formations Linear

The Formations series of linear diffusers is designed for ceiling and sidewall installation and is suitable for both commercial and residential applications. Formations can also be curved for ceiling or sidewall applications.

- XG-AFL - Architectural Linear Formations
- XG-AFLC - Architectural Linear Formations - Concealed Mounting

PAGE 5

LDG-3

Tech Zone Series

Architectural Linear Formations satisfy the most demanding engineering and architectural criteria, providing both superior air distribution performance and sculptured elegance. Compatible with TechZone style ceiling systems.

- XG-AFLTZ – extruded aluminum architectural linear slot diffuser
- XG-AFLCTZ– extruded aluminum architectural linear slot diffuser with concealed mounting hardware

PAGE 29

Formations Tee System

The Formation Tee System is designed for ease of installation and can be easily removed and relocated if needed.

- XG-AFLTS – Formations and plenum for Tee System
- XG-AFLTSB – Formations and plenum for Bolt Slot Systems
- XG-AFLTSI – Formations and plenum for Tee System – Insulated
- XG-AFLTSBI – Formations and plenum for Bolt Slot Systems – Insulated

PAGE 42

Formations Integra

The Integra series is designed to lay in an acoustical T-bar or hard ceiling. The Integra incorporates the ceiling material as the face of the diffuser blending it into the ceiling design.

- XG-AFLI – Formations Integra supply
- XG-AFLIH – Formations Integra return – High capacity

PAGE 87

Formations Plenums

The XG-UPAFL/XG-UPAFLC series plenum is designed for the XG-AFL/AFLC series Formation to connect the diffuser to the ducted supply or return.

- XG-UP-AFL – Formations plenum – Standard
- XG-UP-AFLC – Formations plenum – Hemmed
- XG-UPI-AFL – Formations plenum – Standard insulated
- XG-UPI-AFLC – Formations plenum – Hemmed insulated

PAGE 98

Formations Accessories

- XG-AFLMC – Formations miter corner
- XG-AFLMCC – Formations miter corner - concealed mounting
- XG-AFR – Formations perforated light shield
- XG-AFL-BO – Formations blank off panel
- XG-AFL-EB – Formations replacement end borders
- XG-FODR – Formations face operated damper rod
- XG-ROD – Formations remote operated damper

PAGE 132

MODEL XG-AFL

The Formations XG-AFL series is engineered for supply, return or exhaust air distribution in heating, cooling and ventilating applications. It is designed for ceiling and sidewall installation, and works equally well in variable volume or constant volume air distribution systems. Formations is suitable for both commercial and residential applications. Numerous frame styles allow the specifier to make an aesthetic statement.

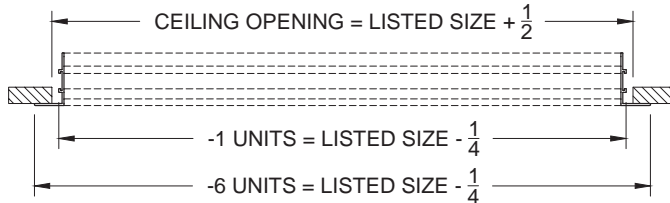
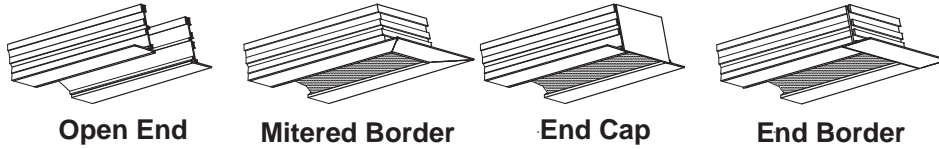
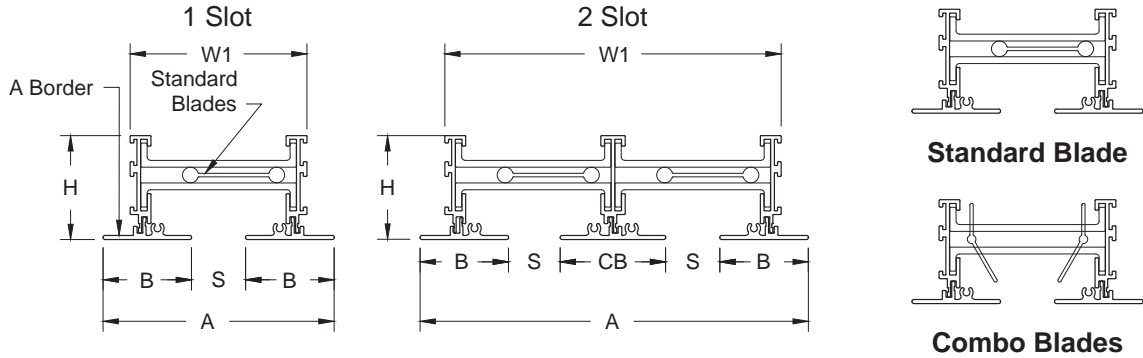
- Available with straight or combo pattern controllers
- Available in single section lengths up to 96"
- Available with one or two slots
- Available in eight border configurations
- Quick installation with state of the art mounting hardware
- Can be curved to produce a ceiling flat, concave or convex face unit



MODEL XG-AFL-AA

Model: XG-AFL-AA Border A & Border A - Exposed Face

XG-AFL-AA - Exposed Face



Model	S Slot Width	Face Width		Neck Width		B Border Width	CB Border Width	H Height
		A	A	W	W			
XG-AFL-10	1	4 1/4	7 3/16	3 1/4	6 3/16	1 5/8	1 15/16	2
XG-AFL-15	1 1/2	4 3/4	8 3/16	3 3/4	7 3/16	1 5/8	1 15/16	2
XG-AFL-20	2	5 1/4	9 3/16	4 1/4	8 3/16	1 5/8	1 15/16	2
XG-AFL-25	2 1/2	6 3/4	12 3/16	5 3/4	11 3/16	2 1/8	2 15/16	2 1/2
XG-AFL-30	3	7 1/4	13 3/16	6 1/4	12 3/16	2 1/8	2 15/16	2 1/2

1. Available Finishes	2. Available Accessories	3. Available Options	4. Construction Details
Standard Finish: 20 - White Face and Black Interior Optional Finish 02 - Satin Silver Face and Black Interior 03 - Black Face and Black Interior 28 - Custom Face Color and Black Interior		1EC - (1) End Cap 2EC - (2) End Caps 1EB - (1) End Border 2EB - (2) End Borders OO - Open / Open MM - Mitered / Mitered MO - Mitered / Open	<ul style="list-style-type: none"> Material Extruded Aluminum C - Combo Pattern Controller S - Standard Pattern Controller Standard Single Section size: (12" minimum - 96" maximum) Lengths larger than 96" made in multiple sections

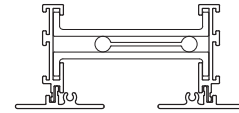
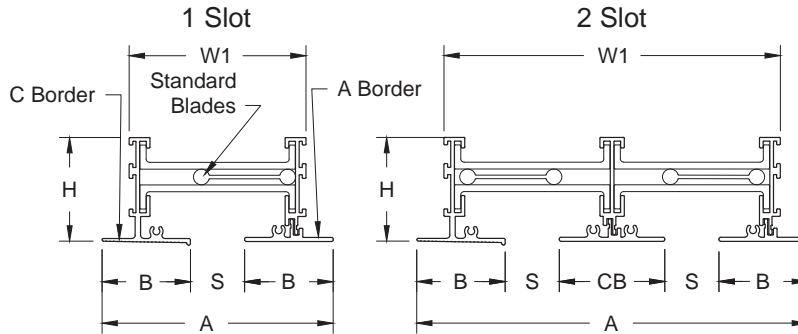
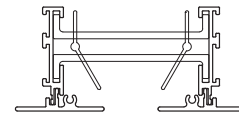
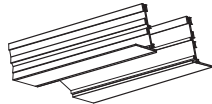
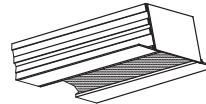
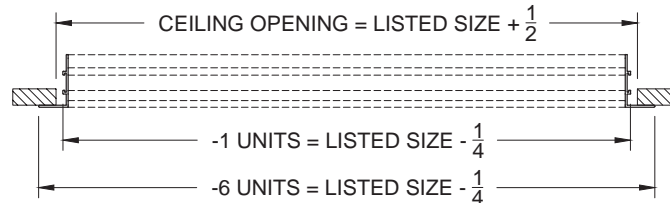
All Dimensions $\pm 1/16"$

MODEL XG-AFL-AC

Model: XG-AFL-AC

Border A & Borders C - Exposed Face & Concealed Tape and Spackle

XG-AFL-AC - Exposed Face & Concealed Tape and Spackle


Standard Blade

Combo Blades

Open End

End Cap


Model	S Slot Width	Face Width		Neck Width		B Border Width	CB Border Width	H Height
		A	A	W	W			
XG-AFL-10	1	4 1/4	7 3/16	3 1/4	6 3/16	1 5/8	1 15/16	2
XG-AFL-15	1 1/2	4 3/4	8 3/16	3 3/4	7 3/16	1 5/8	1 15/16	2
XG-AFL-20	2	5 1/4	9 3/16	4 1/4	8 3/16	1 5/8	1 15/16	2
XG-AFL-25	2 1/2	6 3/4	12 3/16	5 3/4	11 3/16	2 1/8	2 15/16	2 1/2
XG-AFL-30	3	7 1/4	13 3/16	6 1/4	12 3/16	2 1/8	2 15/16	2 1/2

1. Available Finishes

Standard Finish:
 20 - White Face and Black Interior
 Optional Finish
 02 - Satin Silver Face and Black Interior
 03 - Black Face and Black Interior
 28 - Custom Face Color and Black Interior

2. Available Accessories
3. Available Options

1EC - (1) End Cap
 2EC - (2) End Caps
 1EB - (1) End Border
 2EB - (2) End Borders
 OO - Open / Open
 MM - Mitered / Mitered
 MO - Mitered / Open

4. Construction Details

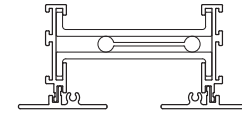
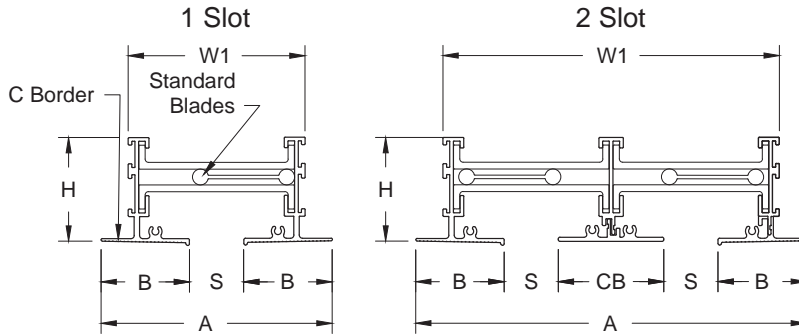
- Material Extruded Aluminum
- C - Combo Pattern Controller
- S - Standard Pattern Controller
- Standard Single Section size: (12" minimum - 96" maximum)
- Lengths larger than 96" made in multiple sections

All Dimensions ±1/16"

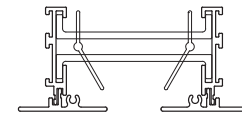
MODEL XG-AFL-CC

Model: XG-AFL-CC Border C & Border C - Concealed Tape and Spackle

XG-AFL-CC - Concealed Tape and Spackle



Standard Blade



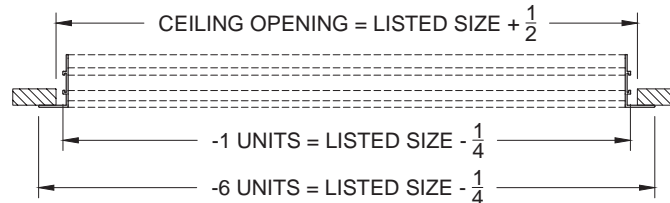
Combo Blades



Open End

Mitered Border

End Cap



Model	Face Width		Neck Width		B	CB	H	
	S	A	A	W				
	Slot Width	1 Slot	2 Slot	1 Slot	2 Slot	Border Width	Border Width	Height
XG-AFL-10	1	4 1/4	7 3/16	3 1/4	6 3/16	1 5/8	1 15/16	2
XG-AFL-15	1 1/2	4 3/4	8 3/16	3 3/4	7 3/16	1 5/8	1 15/16	2
XG-AFL-20	2	5 1/4	9 3/16	4 1/4	8 3/16	1 5/8	1 15/16	2
XG-AFL-25	2 1/2	6 3/4	12 3/16	5 3/4	11 3/16	2 1/8	2 15/16	2 1/2
XG-AFL-30	3	7 1/4	13 3/16	6 1/4	12 3/16	2 1/8	2 15/16	2 1/2

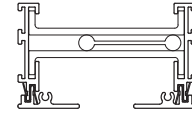
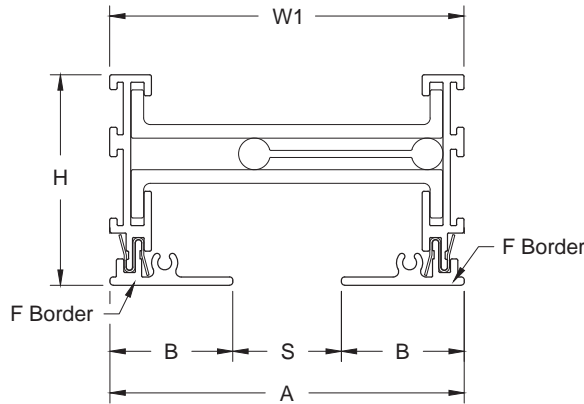
1. Available Finishes	2. Available Accessories	3. Available Options	4. Construction Details
Standard Finish: 20 - White Face and Black Interior Optional Finish 02 - Satin Silver Face and Black Interior 03 - Black Face and Black Interior 28 - Custom Face Color and Black Interior		1EC - (1) End Cap 2EC - (2) End Caps 1EB - (1) End Border 2EB - (2) End Borders OO - Open / Open MM - Mitered / Mitered MO - Mitered / Open	<ul style="list-style-type: none"> Material Extruded Aluminum C - Combo Pattern Controller S - Standard Pattern Controller Standard Single Section size: (12" minimum - 96" maximum) Lengths larger than 96" made in multiple sections

All Dimensions ±1/16"

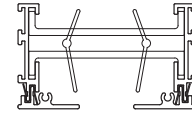
MODEL XG-AFL-FF

Model: XG-AFL-FF 1 Slot - Flush Channel Frame - Surface Mount

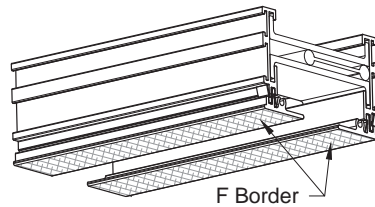
XG-AFL-FF - Surface Mounted



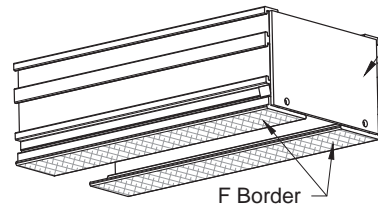
Standard Blade



Combo Blade



Open End



End Cap

XG-AFL-FF - 1 Slot					
Model	Unit Face	F Face	Height	Slot	Neck
	A	B			
XG-AFL-FF-10	3 1/4	1 1/8	1 15/16	1	3 1/4
XG-AFL-FF-15	3 3/4	1 1/8	1 15/16	1 1/2	3 3/4
XG-AFL-FF-20	4 1/4	1 1/8	1 15/16	2	4 1/4
XG-AFL-FF-25	5 3/4	1 5/8	2 9/16	2 1/2	5 3/4
XG-AFL-FF-30	6 1/4	1 5/8	2 9/16	3	6 1/4

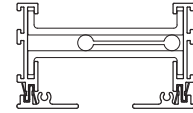
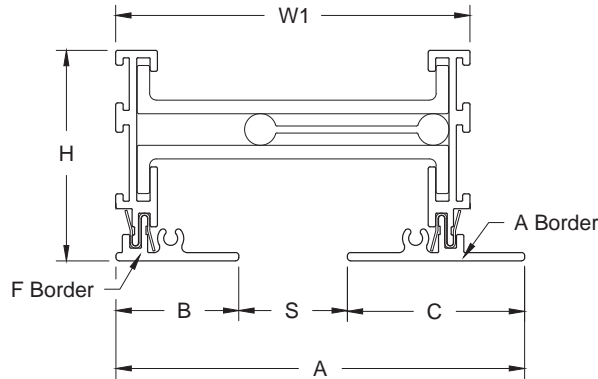
1. Available Finishes	2. Available Accessories	3. Available Options	4. Construction Details
Standard Finish: 20 - White Face and Black Interior Optional Finish 02 - Satin Silver Face and Black Interior 03 - Black Face and Black Interior 28 - Custom Face Color and Black Interior		1EC - (1) End Cap 2EC - (2) End Cap OO - Open / Open	<ul style="list-style-type: none"> Material Extruded Aluminum C - Combo Pattern Controller S - Standard Pattern Controller Standard Single Section Size: (12" minimum - 96" maximum) Lengths larger than 96" made in multiple sections

All Dimensions ±1/16"

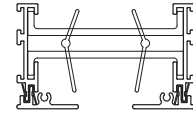
MODEL XG-AFL-FA

Model: XG-AFL-FA 1 Slot - Border F & Border A - Flush Channel & Exposed Face - Surface Mount

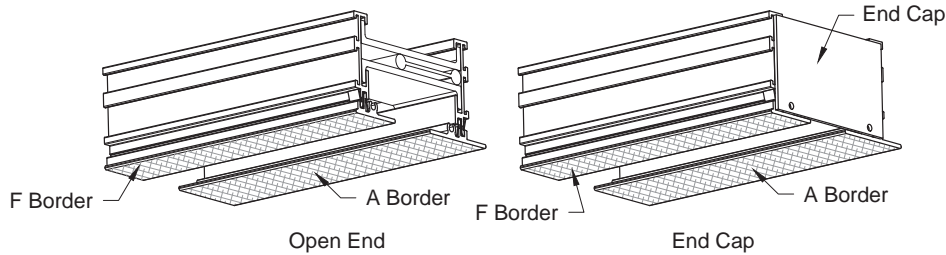
XG-AFL-FA - Surface Mounted



Standard Blade



Combo Blade



XG-AFL-FA - 1 Slot						
Model	Face Width	F Face	A Face	Height	Slot	Neck
	A	B	C	H	S	W1
XG-AFL-FA-10	3 3/4	1 1/8	1 5/8	1 15/16	1	3 1/4
XG-AFL-FA-15	4 1/4	1 1/8	1 5/8	1 15/16	1 1/2	3 3/4
XG-AFL-FA-20	4 3/4	1 1/8	1 5/8	1 15/16	2	4 1/4
XG-AFL-FA-25	6 1/4	1 5/8	2 1/8	2 9/16	2 1/2	5 3/4
XG-AFL-FA-30	6 3/4	1 5/8	2 1/8	2 9/16	3	6 1/4

1. Available Finishes

Standard Finish:
20 - White Face and Black Interior
Optional Finish
02 - Satin Silver Face and Black Interior
03 - Black Face and Black Interior
28 - Custom Face Color and Black Interior

2. Available Accessories

3. Available Options

1EC - (1) End Cap
2EC - (2) End Cap
OO - Open / Open

4. Construction Details

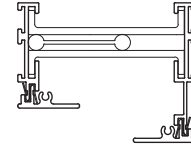
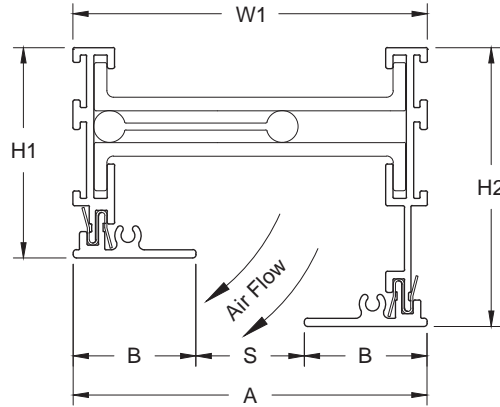
- Material Extruded Aluminum
- C - Combo Pattern Controller
- S - Standard Pattern Controller
- Standard Single Section Size: (12" minimum - 96" maximum)
- Lengths larger than 96" made in multiple sections

All Dimensions $\pm 1/16"$

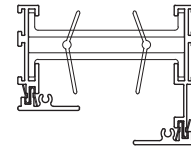
MODEL XG-AFL-FH

Model: XG-AFL-FH 1 Slot - Offset Height Frame - Surface Mounted

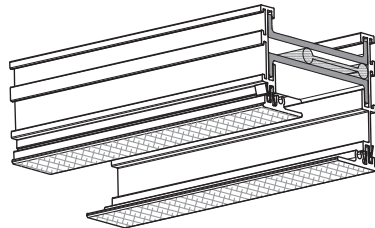
XG-AFL-FH - Surface Mounted



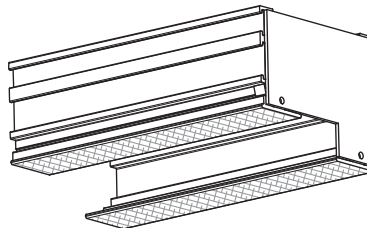
Standard Blade



Combo Blade



Open End



End Cap

XG-AFL-FH - 1 Slot						
Model	Unit Face	F Face	Height	Height	Slot	Neck
	A	B	H1	H2	S	W1
XG-AFL-FH-10	3 1/4	1 1/8	1 15/16	2 9/16	1	3 1/4
XG-AFL-FH-15	3 3/4	1 1/8	1 15/16	2 9/16	1 1/2	3 3/4
XG-AFL-FH-20	4 1/4	1 1/8	1 15/16	2 9/16	2	4 1/4
XG-AFL-FH-25	5 3/4	1 5/8	1 15/16	2 9/16	2 1/2	5 3/4
XG-AFL-FH-30	6 1/4	1 5/8	1 15/16	2 9/16	3	6 1/4

1. Available Finishes

Standard Finish:
 20 - White Face and Black Interior
 Optional Finish
 02 - Satin Silver Face and Black Interior
 03 - Black Face and Black Interior
 28 - Custom Face Color and Black Interior

2. Available Accessories

3. Available Options

1EC - (1) End Cap
 2EC - (2) End Cap
 OO - Open / Open

4. Construction Details

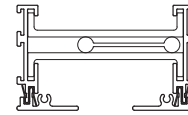
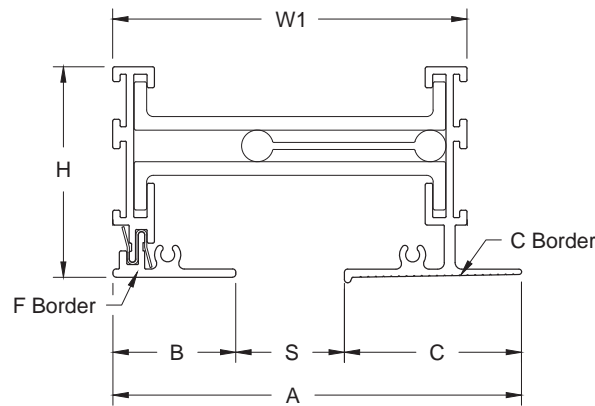
- Material Extruded Aluminum
- C - Combo Pattern Controller
- S - Standard Pattern Controller
- Standard Single Section Size: (12" minimum - 96" maximum)
- Lengths larger than 96" made in multiple sections

All Dimensions ±1/16"

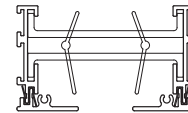
MODEL XG-AFL-FC

Model: XG-AFL-FC 1 Slot - Border F & Border C - Flush Channel Frame - Exposed Face

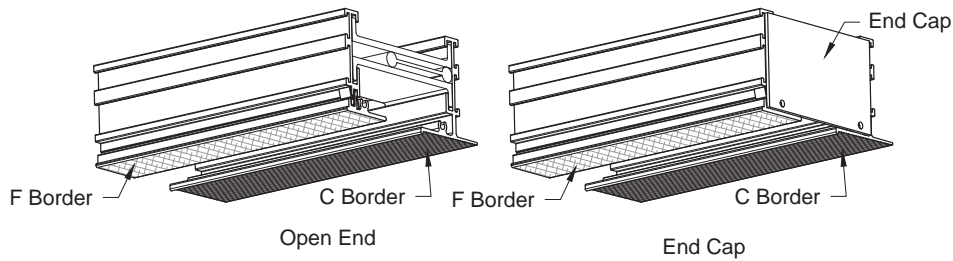
XG-AFL-FC - Surface Mounted



Standard Blade



Combo Blade



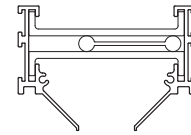
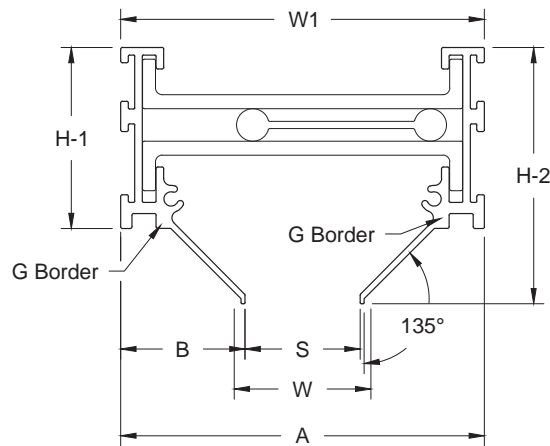
XG-AFL-FC - 1 Slot						
Model	Unit Width	F Face	C Face	Height	Slot	Neck
	A	B	C	H	S	W1
XG-AFL-FC-10	3 3/4	1 1/8	1 5/8	1 15/16	1	3 1/4
XG-AFL-FC-15	4 1/4	1 1/8	1 5/8	1 15/16	1 1/2	3 3/4
XG-AFL-FC-20	4 3/4	1 1/8	1 5/8	1 15/16	2	4 1/4
XG-AFL-FC-25	6 1/4	1 5/8	2 1/8	2 9/16	2 1/2	5 3/4
XG-AFL-FC-30	6 3/4	1 5/8	2 1/8	2 9/16	3	6 1/4

1. Available Finishes	2. Available Accessories	3. Available Options	4. Construction Details
<p>Standard Finish:</p> <ul style="list-style-type: none"> 20 - White Face and Black Interior <p>Optional Finish</p> <ul style="list-style-type: none"> 02 - Satin Silver Face and Black Interior 03 - Black Face and Black Interior 28 - Custom Face Color and Black Interior 		<ul style="list-style-type: none"> 1EC - (1) End Cap 2EC - (2) End Cap OO - Open / Open 	<ul style="list-style-type: none"> Material Extruded Aluminum C - Combo Pattern Controller S - Standard Pattern Controller Standard Single Section Size: (12" minimum - 96" maximum) Lengths larger than 96" made in multiple sections <p>All Dimensions ±1/16"</p>

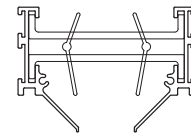
MODEL XG-AFL-GG

Model: XG-AFL-GG-10	1" Slot Beveled Frame - Surface Mount
XG-AFL-GG-15	1 1/2" Slot Beveled Frame - Surface Mount
XG-AFL-GG-20	2" Slot Beveled Frame - Surface Mount

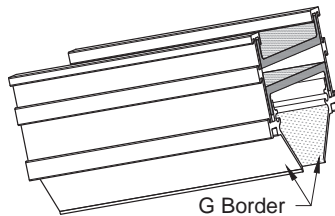
XG-AFL-GG - Surface Mount



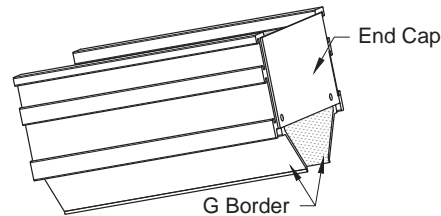
Standard Blade



Combo Blade



Open End



End Cap

XG-AFL-GG-10-15-20							
Model	Unit Width	G Face	Height	Unit H	Slot Width	Face Opening	Neck
	A	B	H-1	H-2	S	W	W1
XG-AFL-GG-10	3 1/4	1 1/8	1 5/8	2 5/16	1	1 1/4	3 1/4
XG-AFL-GG-15	3 3/4	1 1/8	1 5/8	2 5/16	1 1/2	1 3/4	3 3/4
XG-AFL-GG-20	4 1/4	1 1/8	1 5/8	2 5/16	2	2 1/4	4 1/4

1. Available Finishes	2. Available Accessories	3. Available Options	4. Construction Details
Standard Finish: 03 - Black Face and Black Interior		1EC - (1) End Cap 2EC - (2) End Cap OO - Open / Open	<ul style="list-style-type: none"> Material Extruded Aluminum C - Combo Pattern Controller S - Standard Pattern Controller Standard Single Section Size: (12" minimum - 96" maximum) Lengths larger than 96" made in multiple sections <p style="text-align: right;">All Dimensions ±1/16"</p>

MODEL XG-AFLC

The Formations XG-AFLC series is engineered for supply, return or exhaust air distribution in heating, cooling and ventilating applications. It is designed for ceiling and sidewall installation, and works equally well in variable volume or constant volume air distribution systems. Formations is suitable for both commercial and residential applications. Numerous frame styles allow the specifier to make an aesthetic statement.

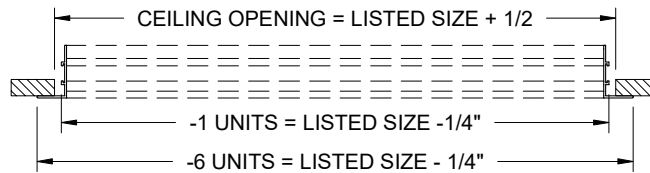
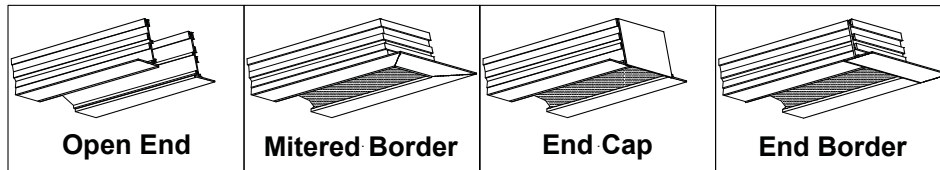
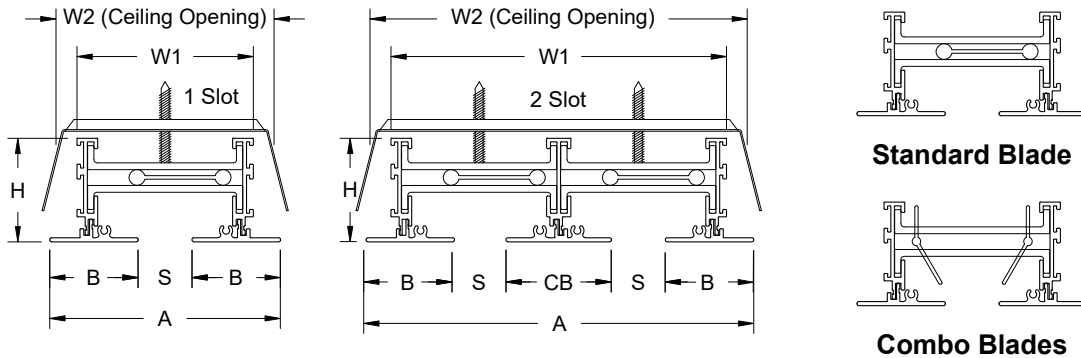
- Available with straight or combo pattern controllers in maximum 24" increments
- Standard slot widths of 1", 1.5", 2", 2.5" and 3"
- Available in single section lengths up to 96"
- Available with one or two slots
- Available in two border configurations
- Standard concealed mounting
- Can be curved to produce a flat face, concave or convex face unit



MODEL XG-AFLC-AA

Model: XG-AFLC-AA Concealed Mounting - Border A & Border A - Exposed Face

XG-AFLC-AA - Exposed Face



Model	S Slot Width	Face Width		Neck Width				B Border Width	CB Border Width	H Height
		1 Slot	2 Slot	1 Slot	1 Slot	2 Slot	2 Slot			
XG-AFLC-10	1	4 1/4	7 3/16	3 1/4	4	6 3/16	6 15/16	1 5/8	1 15/16	2
XG-AFLC-15	1 1/2	4 3/4	8 3/16	3 3/4	4 1/2	7 3/16	7 15/16	1 5/8	1 15/16	2
XG-AFLC-20	2	5 1/4	9 3/16	4 1/4	5	8 3/16	8 15/16	1 5/8	1 15/16	2
XG-AFLC-25	2 1/2	6 3/4	12 3/16	5 3/4	6 1/2	11 3/16	11 15/16	2 1/8	2 15/16	2 1/2
XG-AFLC-30	3	7 1/4	13 3/16	6 1/4	7	12 3/16	12 15/16	2 1/8	2 15/16	2 1/2

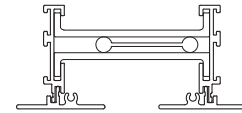
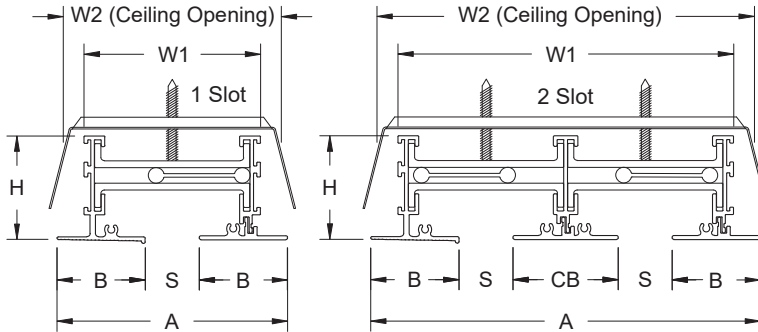
1. Available Finishes	2. Available Accessories	3. Available Options	4. Construction Details
Standard Finish: 20 - White Face and Black Interior Optional Finish 02 - Satin Silver Face and Black Interior 03 - Black Face and Black Interior 28 - Custom Face Color and Black Interior		1EC - (1) End Cap 2EC - (2) End Caps 1EB - (1) End Border 2EB - (2) End Borders OO - Open / Open MM - Mitered / Mitered MO - Mitered / Open	<ul style="list-style-type: none"> Material Extruded Aluminum C - Combo Pattern Controller S - Standard Pattern Controller Standard Single Section size: (12" minimum - 96" maximum) Lengths larger than 96" made in multiple sections

All Dimensions ±1/16"

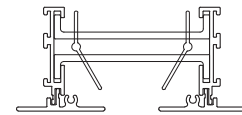
MODEL XG-AFLC-AC

Model: XG-AFLC-AC Concealed Mounting - Border A & Borders C - Exposed Face & Concealed Tape and Spackle

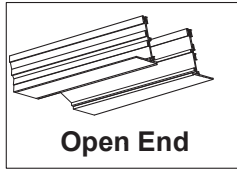
XG-AFLC-AC - Exposed Face & Concealed Tape and Spackle



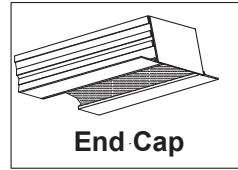
Standard Blade



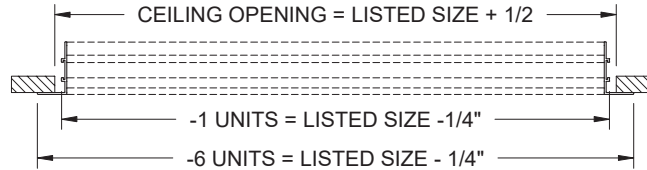
Combo Blades



Open End



End Cap



Model	S Slot Width	Face Width		Neck Width				B Border Width	CB Border Width	H Height
		1 Slot	2 Slot	1 Slot	1 Slot	2 Slot	2 Slot			
XG-AFLC-10	1	4 1/4	7 3/16	3 1/4	4	6 3/16	6 15/16	1 5/8	1 15/16	2
XG-AFLC-15	1 1/2	4 3/4	8 3/16	3 3/4	4 1/2	7 3/16	7 15/16	1 5/8	1 15/16	2
XG-AFLC-20	2	5 1/4	9 3/16	4 1/4	5	8 3/16	8 15/16	1 5/8	1 15/16	2
XG-AFLC-25	2 1/2	6 3/4	12 3/16	5 3/4	6 1/2	11 3/16	11 15/16	2 1/8	2 15/16	2 1/2
XG-AFLC-30	3	7 1/4	13 3/16	6 1/4	7	12 3/16	12 15/16	2 1/8	2 15/16	2 1/2

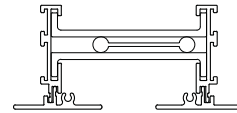
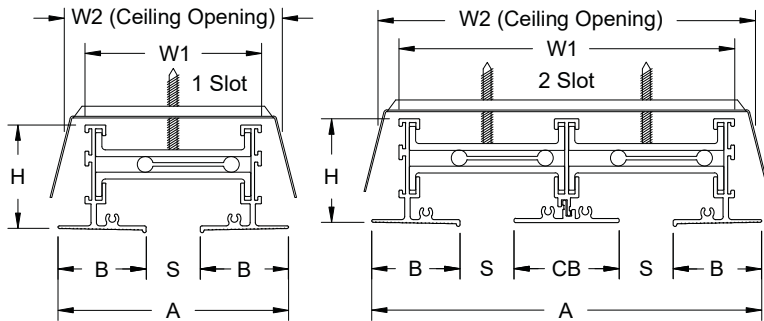
1. Available Finishes	2. Available Accessories	3. Available Options	4. Construction Details
<p>Standard Finish:</p> <ul style="list-style-type: none"> 20 - White Face and Black Interior <p>Optional Finish</p> <ul style="list-style-type: none"> 02 - Satin Silver Face and Black Interior 03 - Black Face and Black Interior 28 - Custom Face Color and Black Interior 		<ul style="list-style-type: none"> 1EC - (1) End Cap 2EC - (2) End Caps 1EB - (1) End Border 2EB - (2) End Borders OO - Open / Open MM - Mitered / Mitered MO - Mitered / Open 	<ul style="list-style-type: none"> Material Extruded Aluminum C - Combo Pattern Controller S - Standard Pattern Controller Standard Single Section size: (12" minimum - 96" maximum) Lengths larger than 96" made in multiple sections

All Dimensions ±1/16"

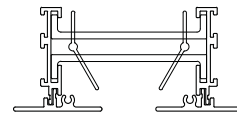
MODEL XG-AFLC-CC

Model: XG-AFLC-CC Concealed Mounting - Border C & Border C - Concealed Tape and Spackle

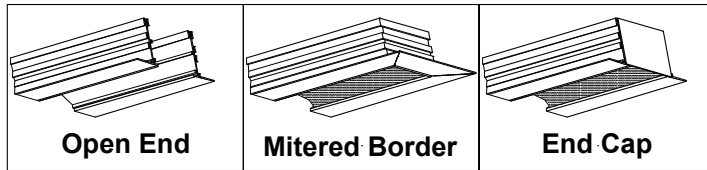
XG-AFLC-CC - Concealed Tape and Spackle



Standard Blade



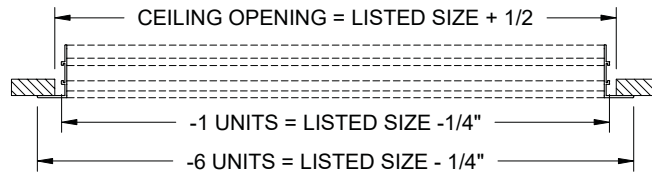
Combo Blades



Open End

Mitered Border

End Cap



Model	Face Width		Neck Width				B	CB	H				
	S	A	A	W1	W2	W1				W2	Border Width	Border Width	Height
	Slot Width	1 Slot	2 Slot	1 Slot	1 Slot	2 Slot				2 Slot			
XG-AFLC-10	1	4 1/4	7 3/16	3 1/4	4	6 3/16	6 15/16	1 5/8	1 15/16	2			
XG-AFLC-15	1 1/2	4 3/4	8 3/16	3 3/4	4 1/2	7 3/16	7 15/16	1 5/8	1 15/16	2			
XG-AFLC-20	2	5 1/4	9 3/16	4 1/4	5	8 3/16	8 15/16	1 5/8	1 15/16	2			
XG-AFLC-25	2 1/2	6 3/4	12 3/16	5 3/4	6 1/2	11 3/16	11 15/16	2 1/8	2 15/16	2 1/2			
XG-AFLC-30	3	7 1/4	13 3/16	6 1/4	7	12 3/16	12 15/16	2 1/8	2 15/16	2 1/2			

1. Available Finishes

Standard Finish:
 20 - White Face and Black Interior
 Optional Finish
 02 - Satin Silver Face and Black Interior
 03 - Black Face and Black Interior
 28 - Custom Face Color and Black Interior

2. Available Accessories

3. Available Options

1EC - (1) End Cap
 2EC - (2) End Caps
 1EB - (1) End Border
 2EB - (2) End Borders
 OO - Open / Open
 MM - Mitered / Mitered
 MO - Mitered / Open

4. Construction Details

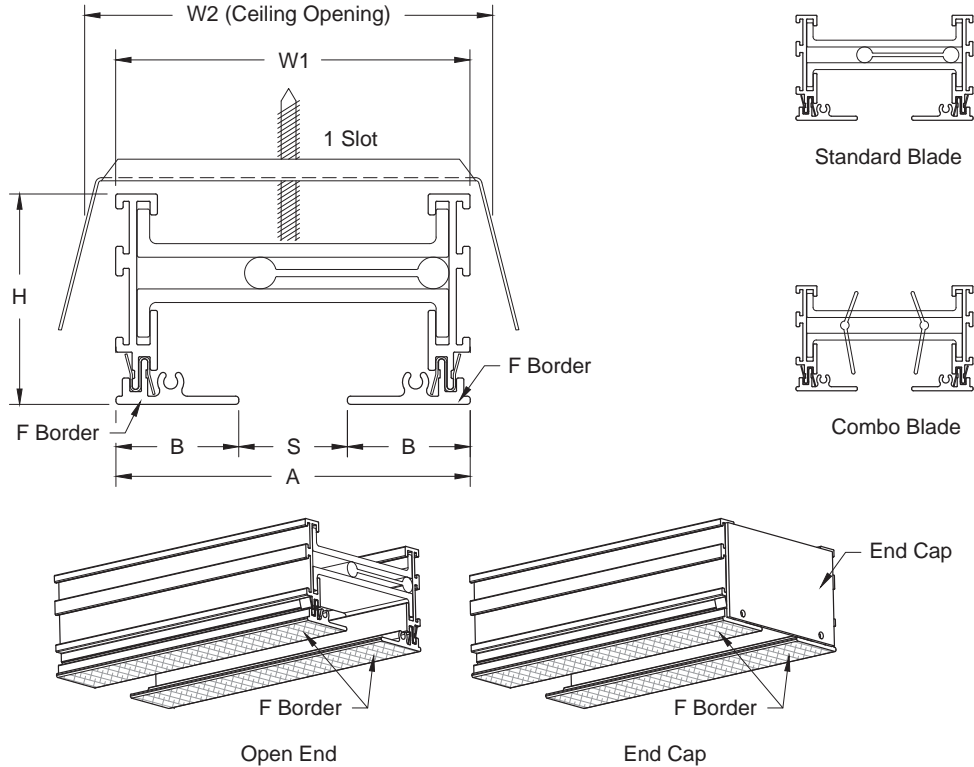
- Material Extruded Aluminum
- C - Combo Pattern Controller
- S - Standard Pattern Controller
- Standard Single Section size: (12" minimum - 96" maximum)
- Lengths larger than 96" made in multiple sections

All Dimensions ±1/16"

MODEL XG-AFLC-FF

Model: XG-AFLC-FF 1 Slot - Border F & Border F - Concealed Mount - Flush Channel Frame

XG-AFLC-FF - Concealed Mounted



AFLC-FF - 1 Slot						
Model	Unit Face	F Face	Height	Slot	Neck	
	A	B	H	S	W1	W2
AFLC-FF-10	3 1/4	1 1/8	1 15/16	1	3 1/4	4
AFLC-FF-15	3 3/4	1 1/8	1 15/16	1 1/2	3 3/4	4 1/2
AFLC-FF-20	4 1/4	1 1/8	1 15/16	2	4 1/4	5
AFLC-FF-25	5 3/4	1 5/8	2 9/16	2 1/2	5 3/4	6 1/2
AFLC-FF-30	6 1/4	1 5/8	2 9/16	3	6 1/4	7

1. Available Finishes

Standard Finish:
20 - White Face and Black Interior
Optional Finish
02 - Satin Silver Face and Black Interior
03 - Black Face and Black Interior
28 - Custom Face Color and Black Interior

2. Available Accessories

3. Available Options

1EC - (1) End Cap
2EC - (2) End Cap
OO - Open / Open

4. Construction Details

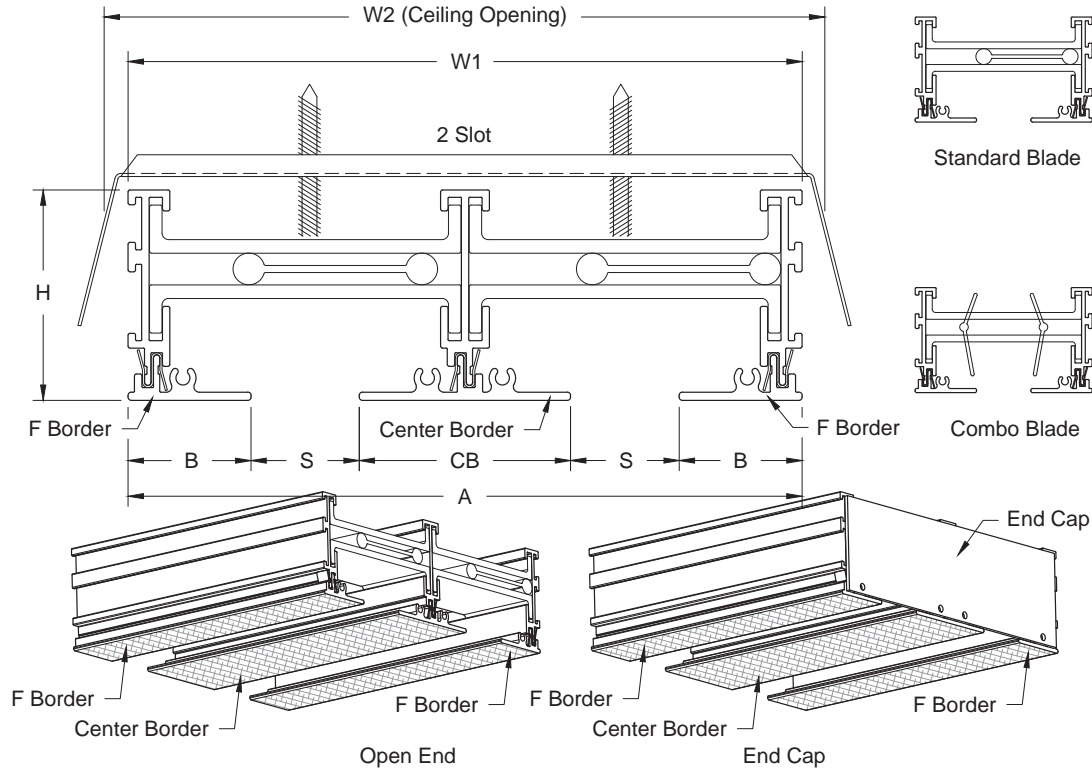
- Material Extruded Aluminum
- C - Combo Pattern Controller
- S - Standard Pattern Controller
- Standard Single Section Size: (12" minimum - 96" maximum)
- Lengths larger than 96" made in multiple sections

All Dimensions ±1/16"

MODEL XG-AFLC-FF

Model: XG-AFLC-FF 2 Slot - Border F & Border F - Concealed Mount - Flush Channel Frame

XG-AFLC-FF - Concealed Mounted



AFLC-FF - 2 Slot

Model	Face Width	F Face	Center	Height	Slot	Neck	
	A	B	CB			W1	W2
AFLC-FF-10	6 3/16	1 1/8	1 15/16	1 15/16	1	6 3/16	6 15/16
AFLC-FF-15	7 3/16	1 1/8	1 15/16	1 15/16	1 1/2	7 3/16	7 15/16
AFLC-FF-20	8 3/16	1 1/8	1 15/16	1 15/16	2	8 3/16	8 15/16
AFLC-FF-25	11 3/16	1 5/8	2 15/16	2 9/16	2 1/2	11 3/16	11 15/16
AFLC-FF-30	12 3/16	1 5/8	2 15/16	2 9/16	3	12 3/16	12 15/16

1. Available Finishes

Standard Finish:
20 - White Face and Black Interior
Optional Finish
02 - Satin Silver Face and Black Interior
03 - Black Face and Black Interior
28 - Custom Face Color and Black Interior

2. Available Accessories

3. Available Options

1EC - (1) End Cap
2EC - (2) End Cap
OO - Open / Open

4. Construction Details

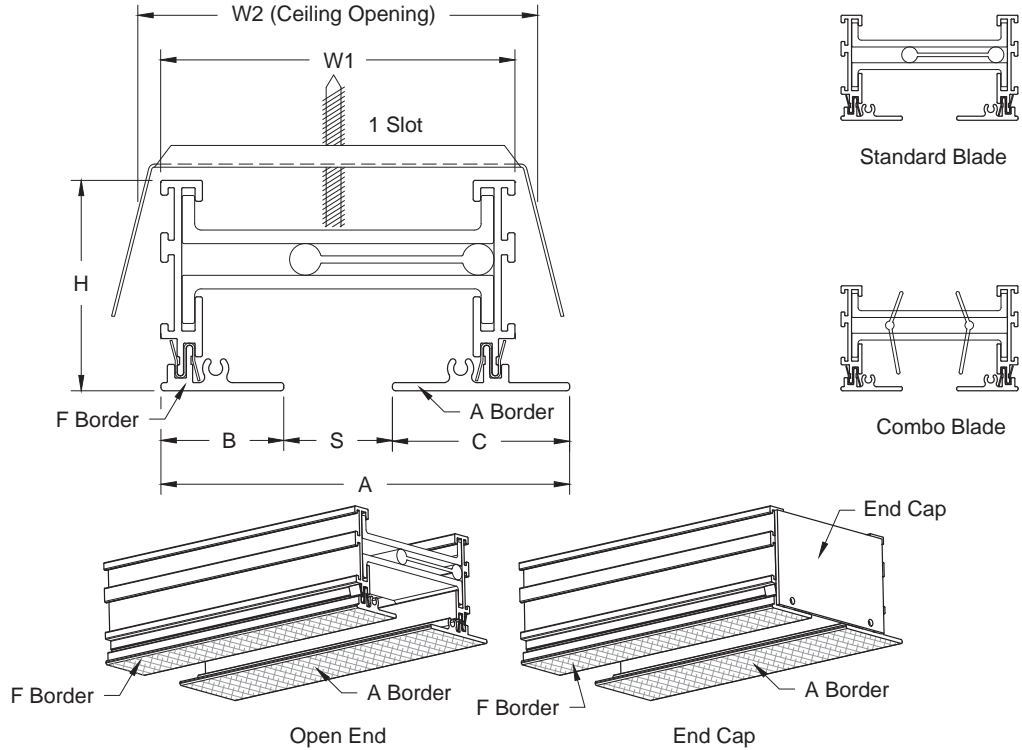
- Material Extruded Aluminum
- C - Combo Pattern Controller
- S - Standard Pattern Controller
- Standard Single Section Size: (12" minimum - 96" maximum)
- Lengths larger than 96" made in multiple sections

All Dimensions ±1/16"

MODEL XG-AFLC-FA

Model: XG-AFLC-FA 1 Slot - Border F & Border A - Concealed Mount - Flush Channel & Exposed Face

XG-AFLC-FA - Concealed Mount



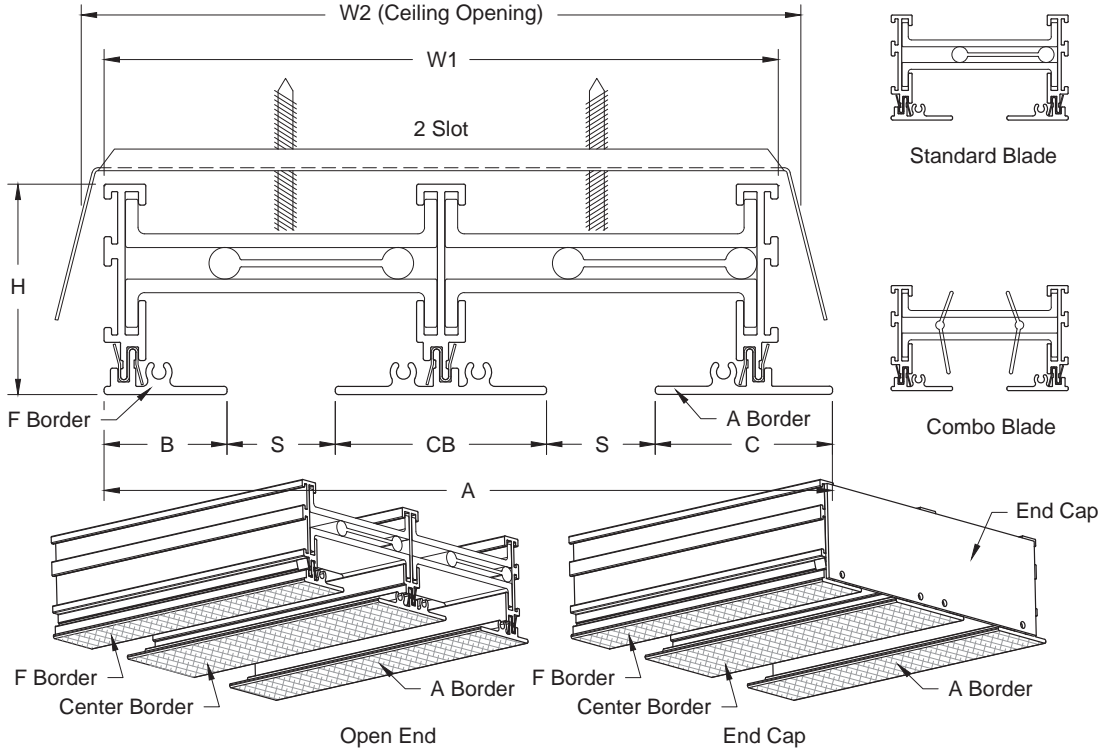
XG-AFLC-FA - 1 Slot							
Model	Face Width	F Face	A Face	Height	Slot	Neck	
	A	B	C			W1	W2
XG-AFLC-FA-10	3 3/4	1 1/8	1 5/8	1 15/16	1	3 1/4	4
XG-AFLC-FA-15	4 1/4	1 1/8	1 5/8	1 15/16	1 1/2	3 3/4	4 1/2
XG-AFLC-FA-20	4 3/4	1 1/8	1 5/8	1 15/16	2	4 1/4	5
XG-AFLC-FA-25	6 1/4	1 5/8	2 1/8	2 9/16	2 1/2	5 3/4	6 1/2
XG-AFLC-FA-30	6 3/4	1 5/8	2 1/8	2 9/16	3	6 1/4	7

1. Available Finishes	2. Available Accessories	3. Available Options	4. Construction Details
<p>Standard Finish: 20 - White Face and Black Interior</p> <p>Optional Finish 02 - Satin Silver Face and Black Interior 03 - Black Face and Black Interior 28 - Custom Face Color and Black Interior</p>		<p>1EC - (1) End Cap 2EC - (2) End Cap OO - Open / Open</p>	<ul style="list-style-type: none"> Material Extruded Aluminum C - Combo Pattern Controller S - Standard Pattern Controller Standard Single Section Size: (12" minimum - 96" maximum) Lengths larger than 96" made in multiple sections <p>All Dimensions ±1/16"</p>

MODEL XG-AFLC-FA

Model: XG-AFLC-FA 2 Slot - Border F & Border A - Concealed Mount - Flush Channel & Exposed Face

XG-AFLC-FA - Concealed Mount



XG-AFLC-FA - 2 Slot								
Model	Unit Width	F Face	A Face	Center	Height	Slot	Neck	
	A	B	C	CB	H	S	W1	W2
XG-AFLC-FA-10	6 3/16	1 1/8	1 5/8	1 15/16	1 15/16	1	6 3/16	6 15/16
XG-AFLC-FA-15	7 3/16	1 1/8	1 5/8	1 15/16	1 15/16	1 1/2	7 3/16	7 15/16
XG-AFLC-FA-20	8 3/16	1 1/8	1 5/8	1 15/16	1 15/16	2	8 3/16	8 15/16
XG-AFLC-FA-25	11 3/16	1 5/8	2 1/8	2 15/16	2 9/16	2 1/2	11 3/16	11 15/16
XG-AFLC-FA-30	12 3/16	1 5/8	2 1/8	2 15/16	2 9/16	3	12 3/16	12 15/16

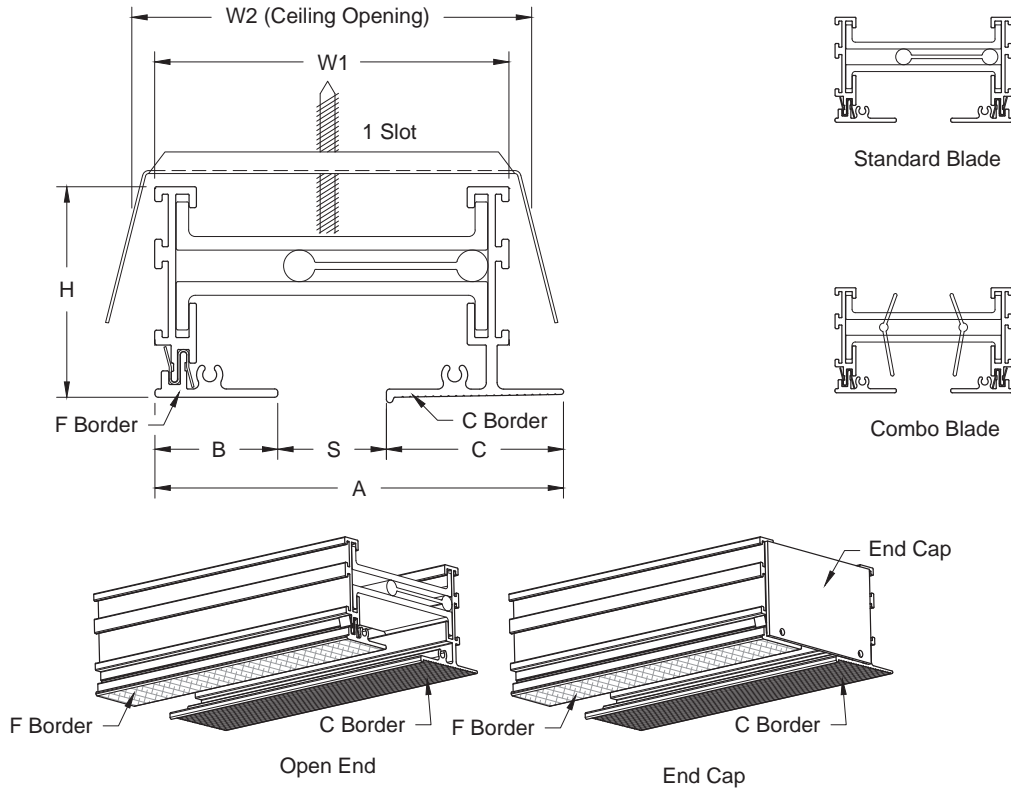
1. Available Finishes	2. Available Accessories	3. Available Options	4. Construction Details
Standard Finish: 20 - White Face and Black Interior Optional Finish 02 - Satin Silver Face and Black Interior 03 - Black Face and Black Interior 28 - Custom Face Color and Black Interior		1EC - (1) End Cap 2EC - (2) End Cap OO - Open / Open	<ul style="list-style-type: none"> Material Extruded Aluminum C - Combo Pattern Controller S - Standard Pattern Controller Standard Single Section Size: (12" minimum - 96" maximum) Lengths larger than 96" made in multiple sections

All Dimensions ±1/16"

MODEL XG-AFLC-FC

Model: XG-AFLC-FC 1 Slot - Border F & Border C - Concealed Mount - Flush Channel Frame - Exposed Face

XG-AFLC-FC - Concealed Mount

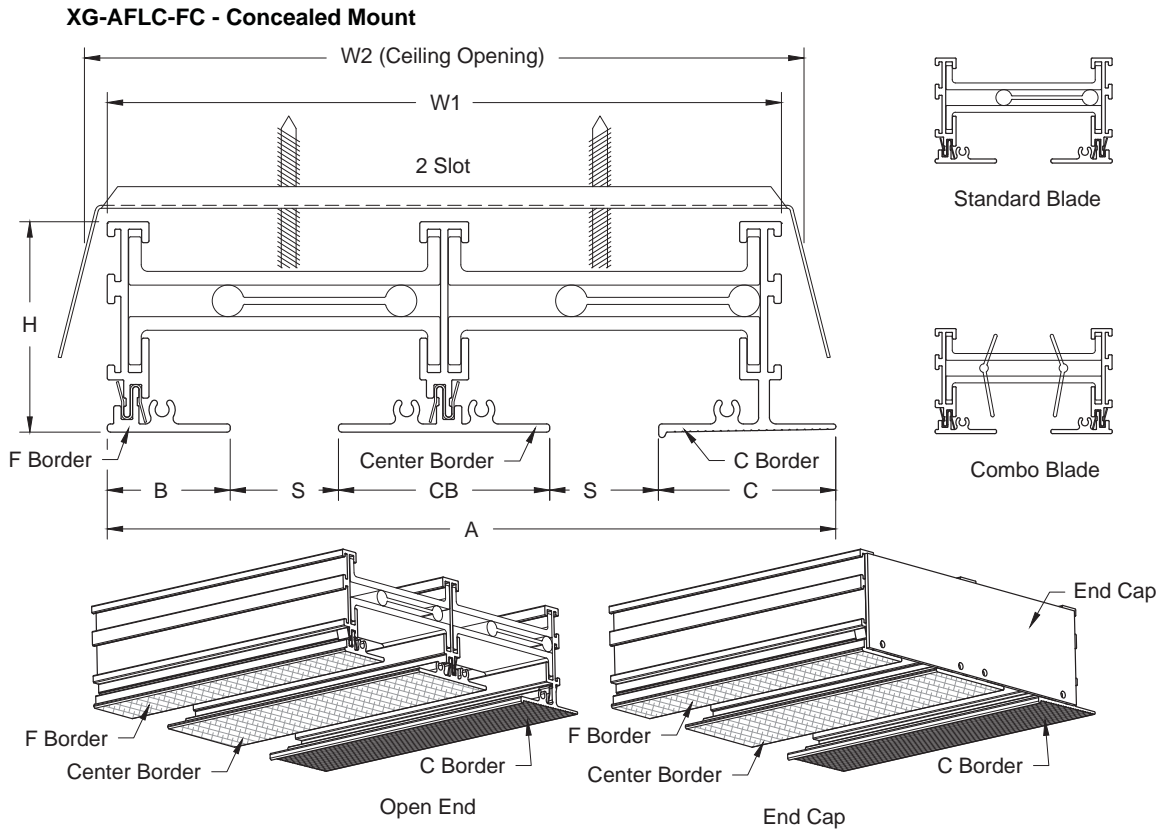


XG-AFLC-FC - 1 Slot							
Model	Unit Width	F Face	C Face	Height	Slot	Neck	
	A	B	C	H	S	W1	W2
XG-AFL-FC-10	3 3/4	1 1/8	1 5/8	1 15/16	1	3 1/4	4
XG-AFL-FC-15	4 1/4	1 1/8	1 5/8	1 15/16	1 1/2	3 3/4	4 1/2
XG-AFL-FC-20	4 3/4	1 1/8	1 5/8	1 15/16	2	4 1/4	5
XG-AFL-FC-25	6 1/4	1 5/8	2 1/8	2 9/16	2 1/2	5 3/4	6 1/2
XG-AFL-FC-30	6 3/4	1 5/8	2 1/8	2 9/16	3	6 1/4	7

1. Available Finishes	2. Available Accessories	3. Available Options	4. Construction Details
<p>Standard Finish: 20 - White Face and Black Interior</p> <p>Optional Finish 02 - Satin Silver Face and Black Interior 03 - Black Face and Black Interior 28 - Custom Face Color and Black Interior</p>		<p>1EC - (1) End Cap 2EC - (2) End Cap OO - Open / Open</p>	<ul style="list-style-type: none"> Material Extruded Aluminum C - Combo Pattern Controller S - Standard Pattern Controller Standard Single Section Size: (12" minimum - 96" maximum) Lengths larger than 96" made in multiple sections <p>All Dimensions ±1/16"</p>

MODEL XG-AFLC-FC

Model: XG-AFLC-FC 2 Slot - Border F & Border C - Concealed Mount - Flush Channel Frame - Exposed Face



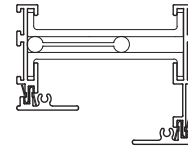
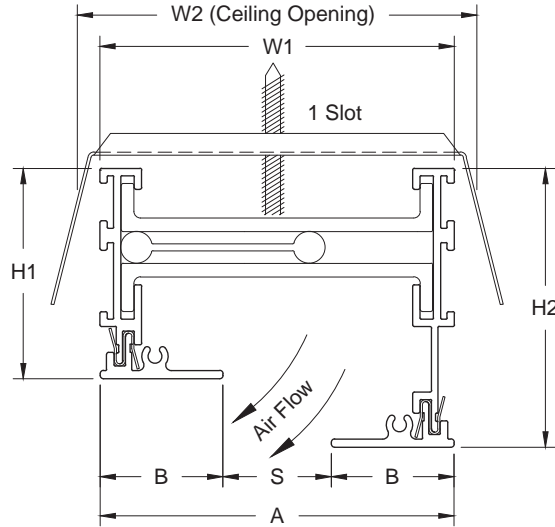
XG-AFLC-FC - 2 Slot								
Model	Unit Width	F Face	C Face	Center	Height	Slot	Neck	
	A	B	C	CB	H	S	W1	W2
XG-AFL-FC-10	6 3/16	1 1/8	1 5/8	1 15/16	1 15/16	1	6 3/16	6 15/16
XG-AFL-FC-15	7 3/16	1 1/8	1 5/8	1 15/16	1 15/16	1 1/2	7 3/16	7 15/16
XG-AFL-FC-20	8 3/16	1 1/8	1 5/8	1 15/16	1 15/16	2	8 3/16	8 15/16
XG-AFL-FC-25	11 3/16	1 5/8	2 1/8	2 15/16	2 9/16	2 1/2	11 3/16	11 15/16
XG-AFL-FC-30	12 3/16	1 5/8	2 1/8	2 15/16	2 9/16	3	12 3/16	12 15/16

1. Available Finishes	2. Available Accessories	3. Available Options	4. Construction Details
Standard Finish: 20 - White Face and Black Interior Optional Finish 02 - Satin Silver Face and Black Interior 03 - Black Face and Black Interior 28 - Custom Face Color and Black Interior		1EC - (1) End Cap 2EC - (2) End Cap OO - Open / Open	<ul style="list-style-type: none"> Material Extruded Aluminum C - Combo Pattern Controller S - Standard Pattern Controller Standard Single Section Size: (12" minimum - 96" maximum) Lengths larger than 96" made in multiple sections <p style="text-align: right;">All Dimensions ±1/16"</p>

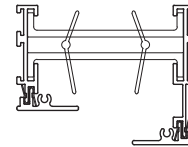
MODEL XG-AFLC-FH

Model: XG-AFLC-FH 1 Slot - Offset Height Frame - Concealed Mount

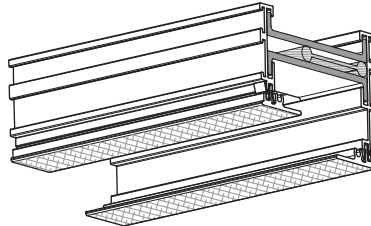
XG-AFLC-FH - Concealed Mount



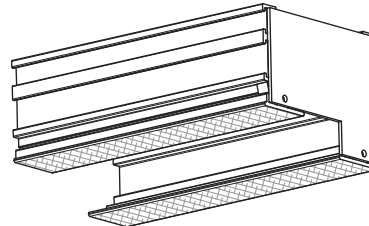
Standard Blade



Combo Blade



Open End



End Cap

AFLC-FH - 1 Slot							
Model	Unit Face	F Face	Height	Height	Slot	Neck	
	A	B	H1	H2	S	W1	W2
AFLC-FH-10	3 1/4	1 1/8	1 15/16	2 9/16	1	3 1/4	4
AFLC-FH-15	3 3/4	1 1/8	1 15/16	2 9/16	1 1/2	3 3/4	4 1/2
AFLC-FH-20	4 1/4	1 1/8	1 15/16	2 9/16	2	4 1/4	5
AFLC-FH-25	5 3/4	1 5/8	1 15/16	2 9/16	2 1/2	5 3/4	6 1/2
AFLC-FH-30	6 1/4	1 5/8	1 15/16	2 9/16	3	6 1/4	7

1. Available Finishes

Standard Finish:
20 - White Face and Black Interior
Optional Finish
02 - Satin Silver Face and Black Interior
03 - Black Face and Black Interior
28 - Custom Face Color and Black Interior

2. Available Accessories

3. Available Options

1EC - (1) End Cap
2EC - (2) End Cap
OO - Open / Open

4. Construction Details

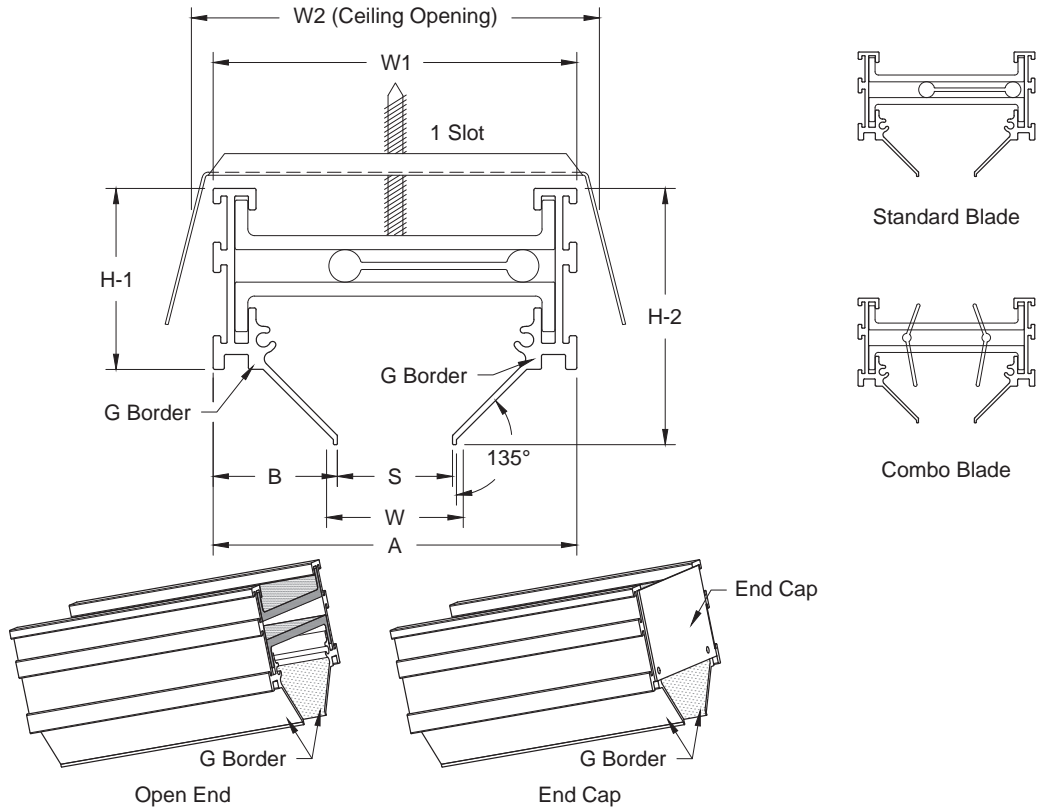
- Material Extruded Aluminum
- C - Combo Pattern Controller
- S - Standard Pattern Controller
- Standard Single Section Size: (12" minimum - 96" maximum)
- Lengths larger than 96" made in multiple sections

All Dimensions ±1/16"

MODEL XG-AFLC-GG

Model: XG-AFLC-GG-10 1" Slot Beveled Frame - Concealed Mount
 XG-AFLC-GG-15 1 1/2" Slot Beveled Frame - Concealed Mount
 XG-AFLC-GG-20 2" Slot Beveled Frame - Concealed Mount

XG-AFLC-GG - Concealed Mount



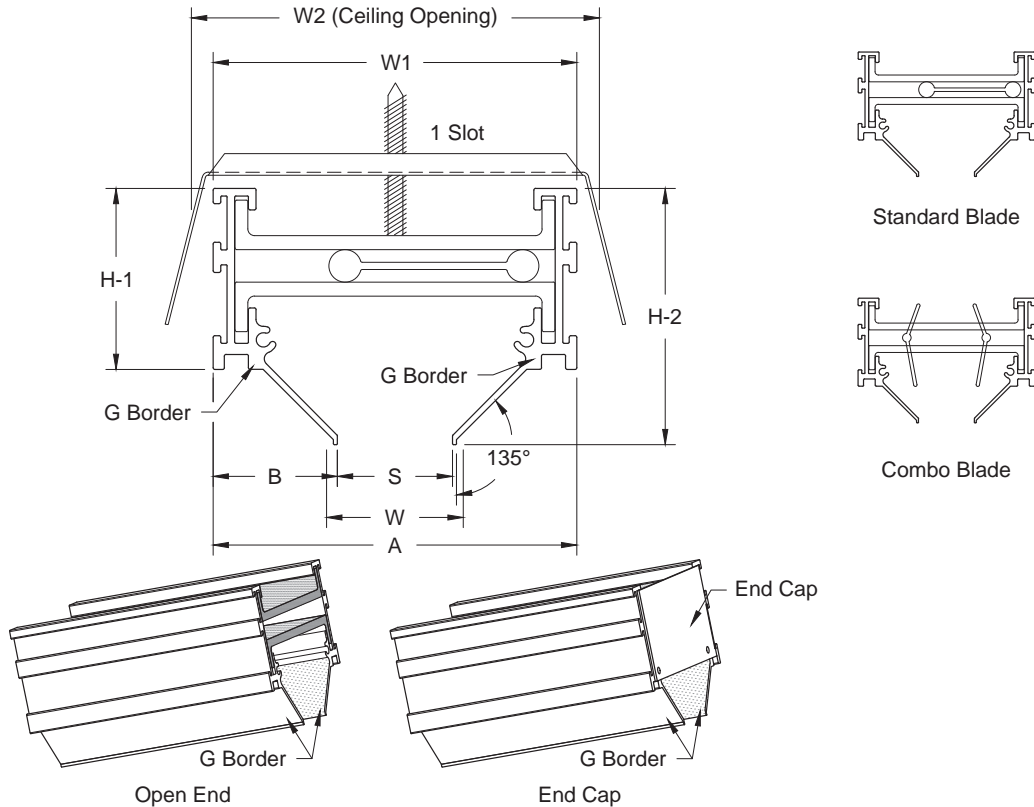
XG-AFLC-GG-10-15-20								
Model	Unit Width	G Face	Height	Unit H	Slot Width	Face Opening	Neck	
	A	B	H-1	H-2	S	W	W1	W2
XG-AFL-GG-10	3 1/4	1 1/8	1 5/8	2 5/16	1	1 1/4	3 1/4	4
XG-AFL-GG-15	3 3/4	1 1/8	1 5/8	2 5/16	1 1/2	1 3/4	3 3/4	4 1/2
XG-AFL-GG-20	4 1/4	1 1/8	1 5/8	2 5/16	2	2 1/4	4 1/4	5

1. Available Finishes	2. Available Accessories	3. Available Options	4. Construction Details
Standard Finish: 03 - Black Face and Black Interior		1EC - (1) End Cap 2EC - (2) End Cap OO - Open / Open	<ul style="list-style-type: none"> Material Extruded Aluminum C - Combo Pattern Controller S - Standard Pattern Controller Standard Single Section Size: (12" minimum - 96" maximum) Lengths larger than 96" made in multiple sections <p style="text-align: right;">All Dimensions ±1/16"</p>

MODEL XG-AFLC-GG

Model: XG-AFLC-GG-10 1" Slot Beveled Frame - Concealed Mount
 XG-AFLC-GG-15 1 1/2" Slot Beveled Frame - Concealed Mount
 XG-AFLC-GG-20 2" Slot Beveled Frame - Concealed Mount

XG-AFLC-GG - Concealed Mount



XG-AFLC-GG-10-15-20								
Model	Unit Width	G Face	Height	Unit H	Slot Width	Face Opening	Neck	
	A	B	H-1	H-2	S	W	W1	W2
XG-AFL-GG-10	3 1/4	1 1/8	1 5/8	2 5/16	1	1 1/4	3 1/4	4
XG-AFL-GG-15	3 3/4	1 1/8	1 5/8	2 5/16	1 1/2	1 3/4	3 3/4	4 1/2
XG-AFL-GG-20	4 1/4	1 1/8	1 5/8	2 5/16	2	2 1/4	4 1/4	5

1. Available Finishes	2. Available Accessories	3. Available Options	4. Construction Details
Standard Finish: 03 - Black Face and Black Interior		1EC - (1) End Cap 2EC - (2) End Cap OO - Open / Open	<ul style="list-style-type: none"> Material Extruded Aluminum C - Combo Pattern Controller S - Standard Pattern Controller Standard Single Section Size: (12" minimum - 96" maximum) Lengths larger than 96" made in multiple sections

All Dimensions ±1/16"

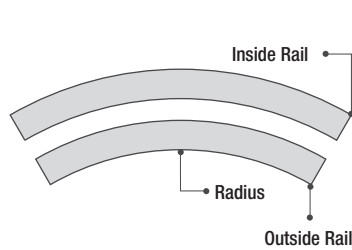
MODEL XG-AFL/ XG-AFLC CURVED



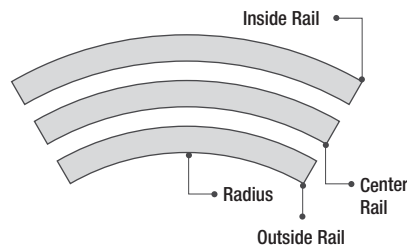
The Formations XG-AFL series can be curved to accent ceilings and walls or complement custom designs. Using a stretch form process, each piece is individually curved to match the required radius, ensuring a uniform curve without ripples on the face of the diffuser.

- One and two slot units are available in flat face, concave or convex curves and in slot widths of 1", 1.5", 2", 2.5", and 3"
- The available borders are AA and CC (center rails are white with the Two Slot CC border)

CEILING FLAT

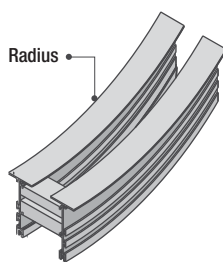


ONE SLOT

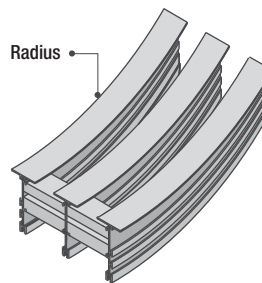


TWO SLOT

CONCAVE CURVE

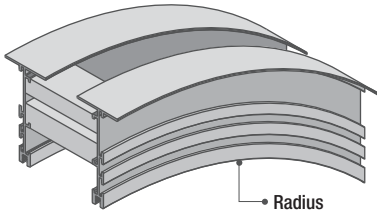


ONE SLOT CONCAVE

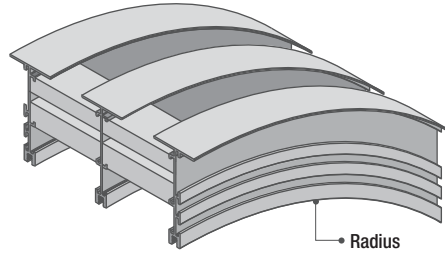


TWO SLOT CONCAVE

CONVEX CURVE



ONE SLOT CONVEX

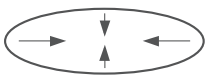


TWO SLOT CONVEX

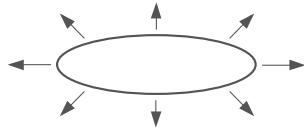


NOTE: Curved plenums are available. Contact your Greenheck representative.

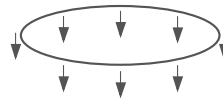
DIRECTION OF AIR FLOW



**INSIDE
CONCAVE**



**OUTSIDE
CONVEX**



**DOWN
CEILING FLAT**

MODEL XG-AFL-TZ SERIES

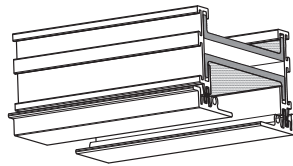
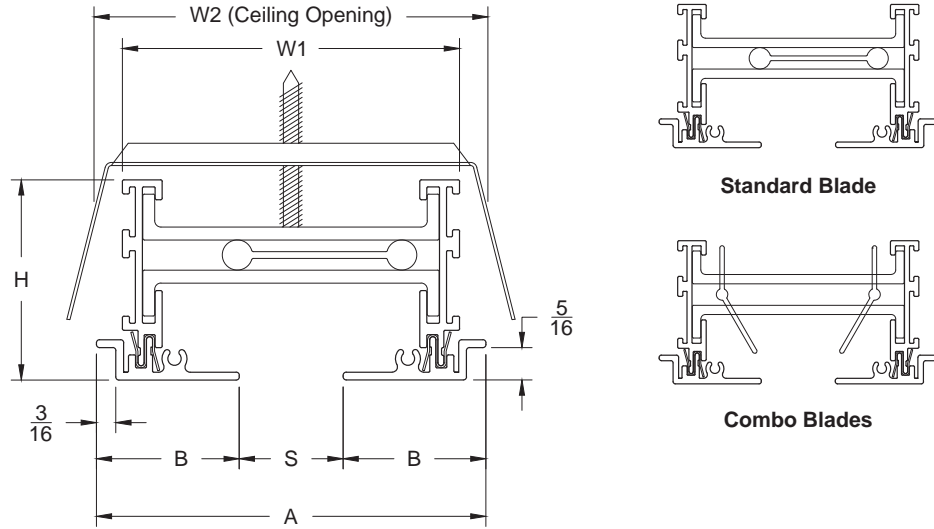
Architectural Linear Formations satisfy the most demanding engineering and architectural criteria, providing both superior air distribution performance and sculptured elegance. Modes XG-AFL-TZ and XG-AFLC-TZ are designed specifically for use in a 4-inch or 6-inch TechZone ceiling grid. TechZone ceiling grids provide an organized, simple and clean ceiling grid for new projects and the XG-AFL is now fully compatible with this system.



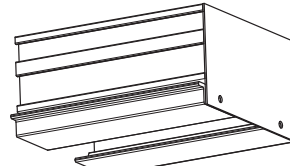
MODEL XG-AFLC-TZ4

Model: XG-AFLC-TZ4 4" Tech Zone - Concealed Mount - T-Bar Lay-in - Exposed Face

XG-AFLC-TZ4 - T-Bar Lay-in - Exposed Face



Open End



End Cap

XG-AFLC-TZ - 1 Slot						
Model	Face	TZ Face	Height	Slot	Neck	
	A	B	H	S	W1	W2
XG-AFLC-TZ4	3 3/4	1 3/16	1 15/16	1	3 1/4	3 3/4

1. Available Finishes

Standard Finish:
20 - White Face and Black Interior

Optional Finish
02 - Satin Silver Face and Black Interior
03 - Black Face and Black Interior
28 - Custom Face Color and Black Interior

2. Available Accessories

3. Available Options

1EC - (1) End Cap
2EC - (2) End Cap
OO - Open / Open

4. Construction Details

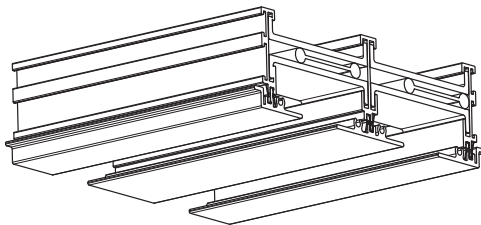
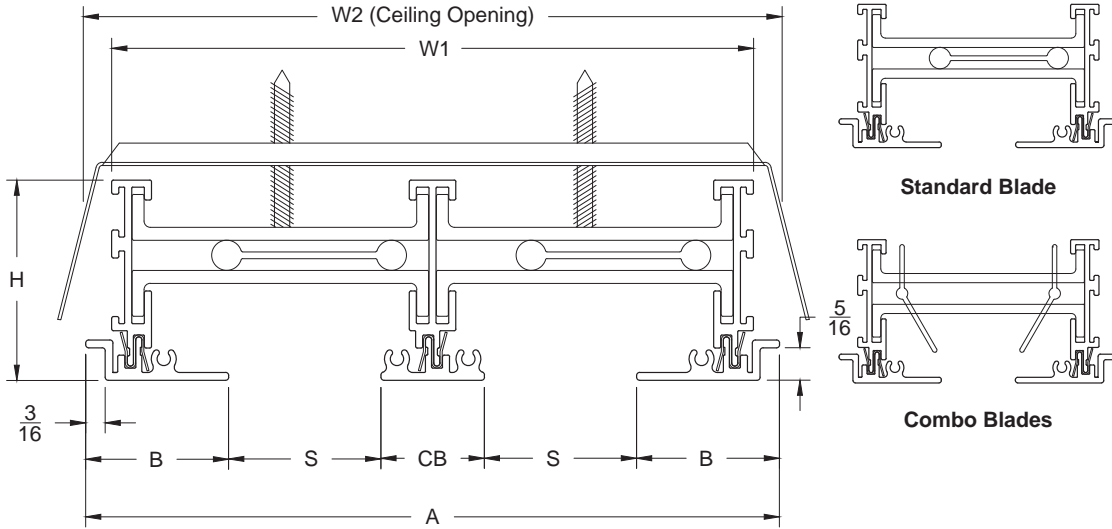
- Material Extruded Aluminum
- C - Combo Pattern Controller
- S - Standard Pattern Controller
- Standard Single Section Size: (12" minimum - 96" maximum)
- Lengths larger than 96" made in multiple sections

All Dimensions $\pm 1/16"$

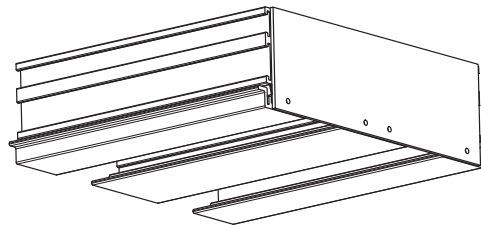
MODEL XG-AFLC-TZ6

Model: XG-AFLC-TZ6 6" Tech Zone - Concealed Mount - T-Bar Lay-in - Exposed Face

XG-AFLC-TZ6 - T-Bar Lay-in - Exposed Face



Open End



End Cap

XG-AFLC-TZ - 2 Slot							
Model	Face	TZ Face	Center	Height	Slot	Neck	
	A	B	CB	H	S	W1	W2
XG-AFLC-TZ6	5 3/4	1 3/16	1	1 15/16	1	5 1/4	5 3/4

1. Available Finishes

Standard Finish:
20 - White Face and Black Interior
Optional Finish
02 - Satin Silver Face and Black Interior
03 - Black Face and Black Interior
28 - Custom Face Color and Black Interior

2. Available Accessories

3. Available Options

1EC - (1) End Cap
2EC - (2) End Cap
OO - Open / Open

4. Construction Details

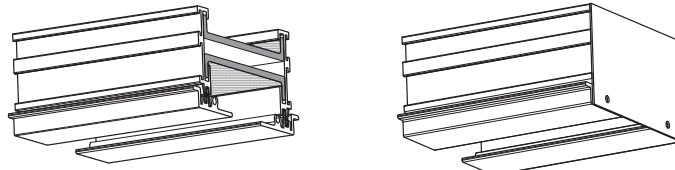
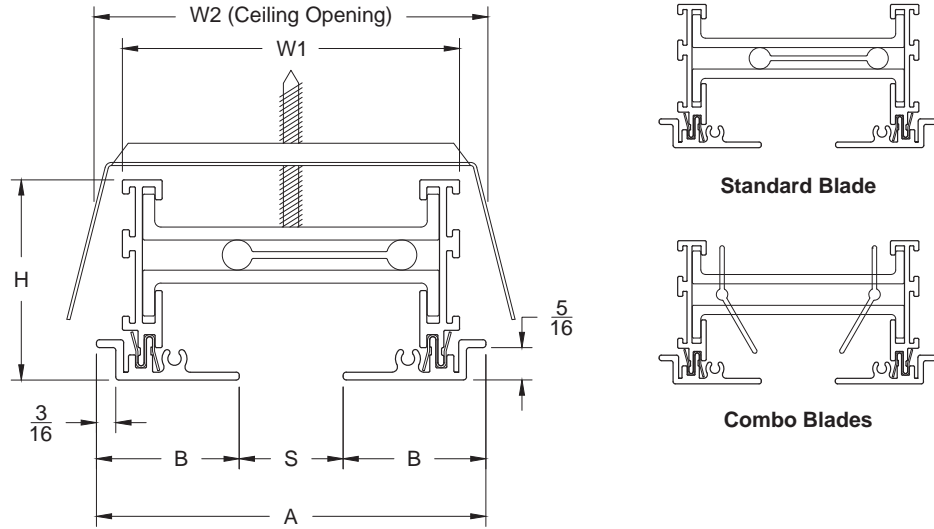
- Material Extruded Aluminum
- C - Combo Pattern Controller
- S - Standard Pattern Controller
- Standard Single Section Size: (12" minimum - 96" maximum)
- Lengths larger than 96" made in multiple sections

All Dimensions $\pm 1/16"$

MODEL XG-AFLC-TZ4

Model: XG-AFLC-TZ4 4" Tech Zone - Concealed Mount - T-Bar Lay-in - Exposed Face

XG-AFLC-TZ4 - T-Bar Lay-in - Exposed Face



Open End

End Cap

XG-AFLC-TZ - 1 Slot						
Model	Face	TZ Face	Height	Slot	Neck	
	A	B	H	S	W1	W2
XG-AFLC-TZ4	3 3/4	1 3/16	1 15/16	1	3 1/4	3 3/4

1. Available Finishes

Standard Finish:
20 - White Face and Black Interior

Optional Finish
02 - Satin Silver Face and Black Interior
03 - Black Face and Black Interior
28 - Custom Face Color and Black Interior

2. Available Accessories

3. Available Options

1EC - (1) End Cap
2EC - (2) End Cap
OO - Open / Open

4. Construction Details

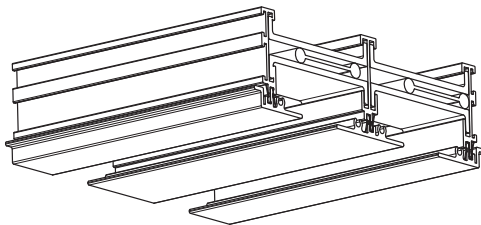
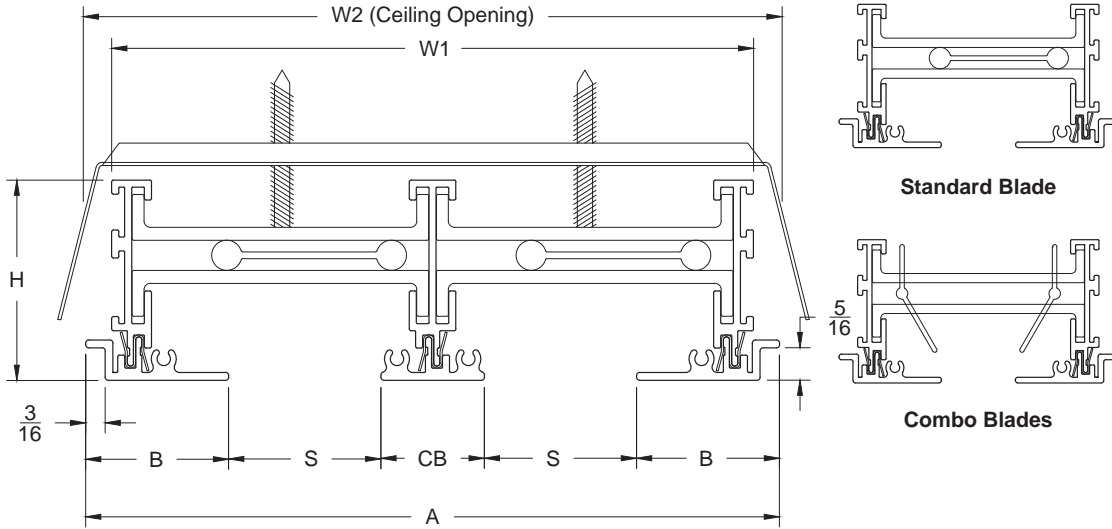
- Material Extruded Aluminum
- C - Combo Pattern Controller
- S - Standard Pattern Controller
- Standard Single Section Size: (12" minimum - 96" maximum)
- Lengths larger than 96" made in multiple sections

All Dimensions $\pm 1/16"$

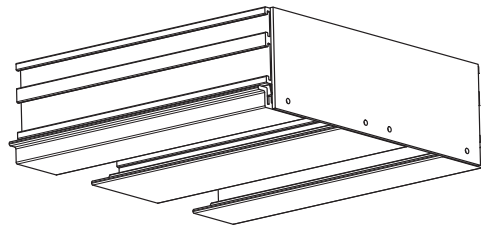
MODEL XG-AFLC-TZ6

Model: XG-AFLC-TZ6 6" Tech Zone - Concealed Mount - T-Bar Lay-in - Exposed Face

XG-AFLC-TZ6 - T-Bar Lay-in - Exposed Face



Open End



End Cap

XG-AFLC-TZ - 2 Slot							
Model	Face	TZ Face	Center	Height	Slot	Neck	
	A	B	CB	H	S	W1	W2
XG-AFLC-TZ6	5 3/4	1 3/16	1	1 15/16	1	5 1/4	5 3/4

1. Available Finishes

Standard Finish:
20 - White Face and Black Interior
Optional Finish
02 - Satin Silver Face and Black Interior
03 - Black Face and Black Interior
28 - Custom Face Color and Black Interior

2. Available Accessories

3. Available Options

1EC - (1) End Cap
2EC - (2) End Cap
OO - Open / Open

4. Construction Details

- Material Extruded Aluminum
- C - Combo Pattern Controller
- S - Standard Pattern Controller
- Standard Single Section Size: (12" minimum - 96" maximum)
- Lengths larger than 96" made in multiple sections

All Dimensions ±1/16"

Pattern Controller Adjustment (Supply Models Only)

The pattern controllers can be used to adjust the direction of the airflow as well as damper the volume of airflow when needed. The Standard/Straight pattern controller is operated by sliding the controller left or right looking at a side profile (see Figure 1). The Combination pattern controller is operated by pivoting one or both slanting pattern controllers to reach desired volume and direction (see Figure 2).

Figure 1 - Standard Blade Pattern Controller

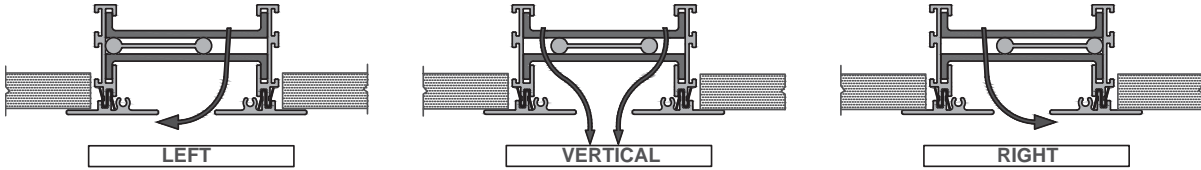
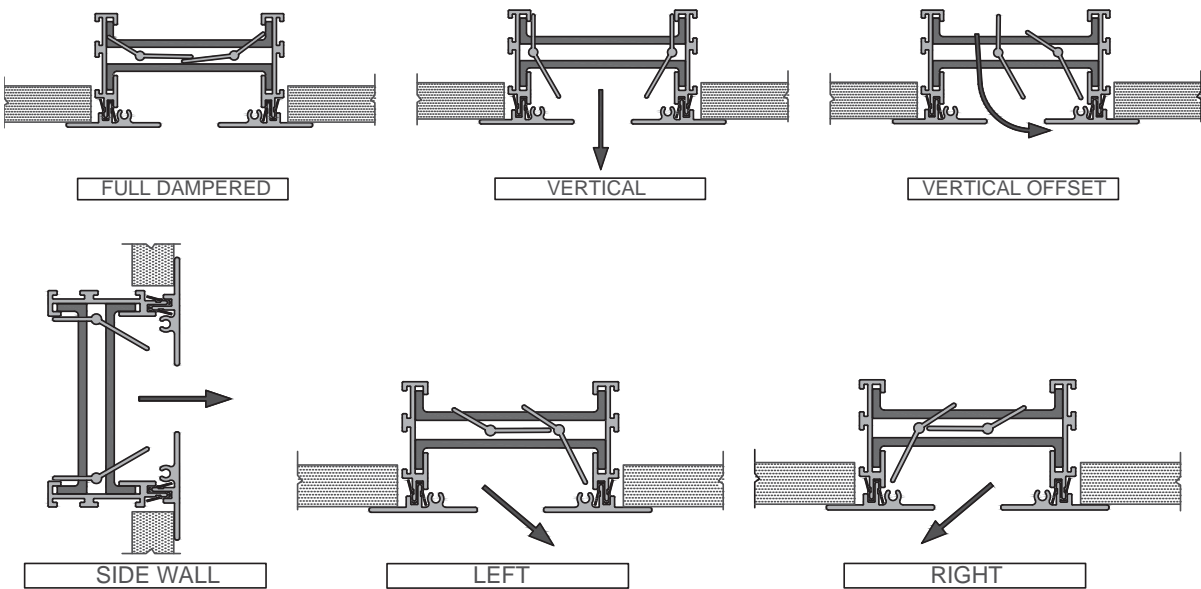
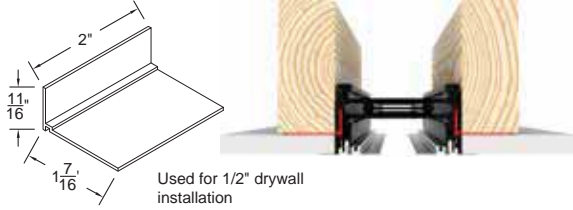


Figure 2 - Combo Blade Pattern Controller

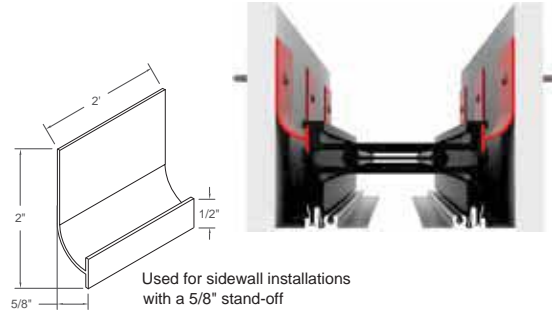


Mounting Clip Details

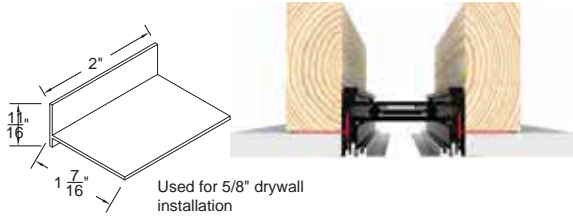
F21 Mounting Hardware



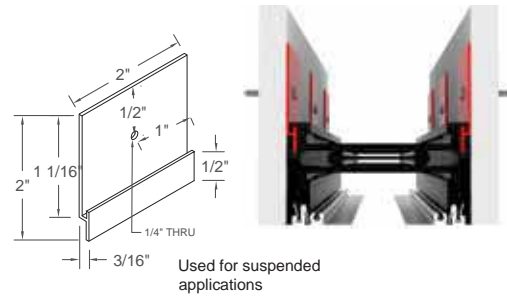
F25 Mounting Hardware



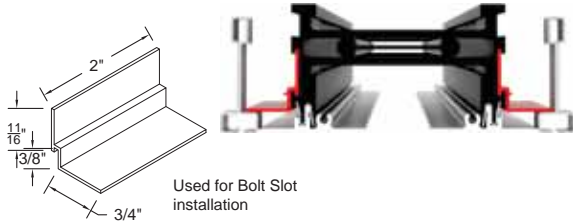
F22 Mounting Hardware



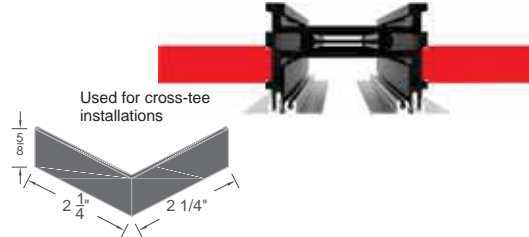
F26 Mounting Hardware



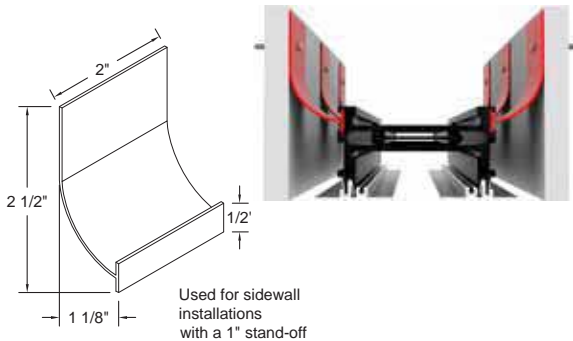
F23 Mounting Hardware



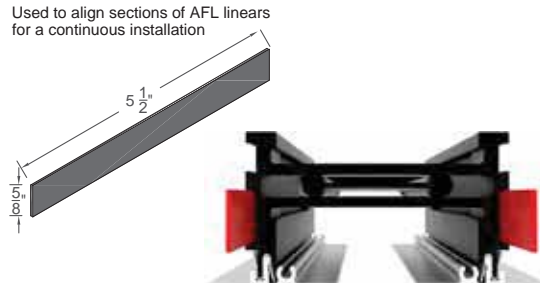
F27 Mounting Hardware



F24 Mounting Hardware

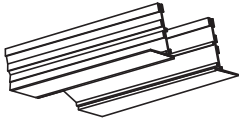


F28 Mounting Hardware

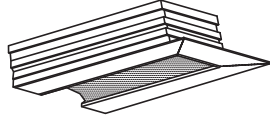


End Types

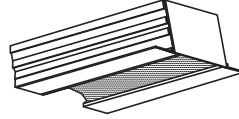
AFL(C)-AA Options:



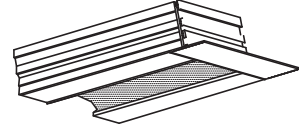
Open End



Mitered Border

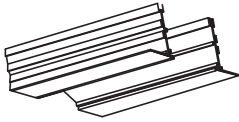


End Cap

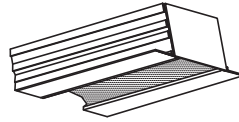


End Border

AFL(C)-AC Options:

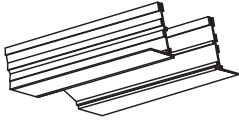


Open End

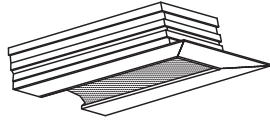


End Cap

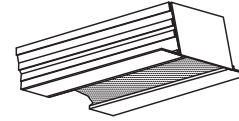
AFL(C)-CC Options:



Open End



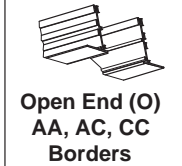
Mitered Border



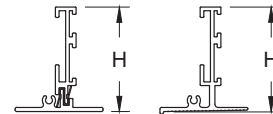
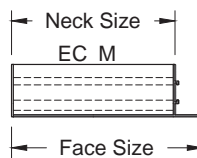
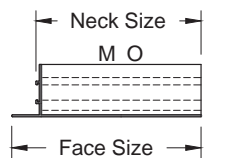
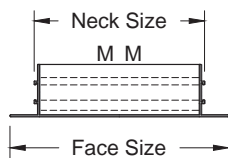
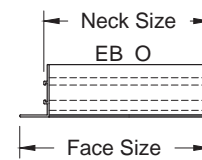
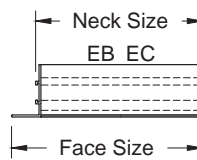
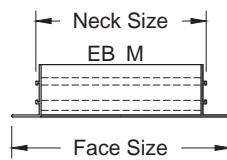
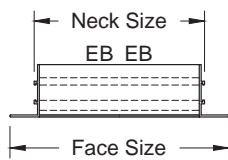
End Cap

Model: AFL-AA
 AFL-AC
 AFL-CC

Border A & Border A - Exposed Face - Surface Mount
 Border A & Borders C - Exposed Face & Concealed Tape and Spackle - Surface Mount
 Border C & Border C - Concealed Tape and Spackle - Surface Mount



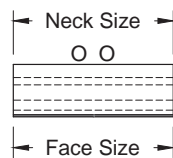
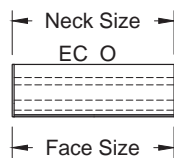
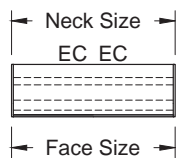
Border		Border Width	End Types	Border Width	Neck Size	Overall Face Size
AA	-1	1 5/8"	EB - EB	1 5/8"	LISTED SIZE - 1/4"	LISTED SIZE + 1 1/2"
AA	-1	1 5/8"	EB - EC	1/16"	LISTED SIZE - 1/4"	LISTED SIZE + 13/16"
AA	-1	1 5/8"	EB - M	1 5/8"	LISTED SIZE - 1/4"	LISTED SIZE + 1 1/2"
AA	-1	1 5/8"	EB - O	0"	LISTED SIZE - 1/4"	LISTED SIZE + 3/4"
AA	-1	1/16"	EC - EC	1/16"	LISTED SIZE - 1/4"	LISTED SIZE - 1/4"
AA	-1	1/16"	EC - O	0"	LISTED SIZE - 1/4"	LISTED SIZE - 1/4"
AA	-1	1/16"	EC - M	1 5/8"	LISTED SIZE - 1/4"	LISTED SIZE + 13/16"
AA	-1	1 5/8"	M - M	1 5/8"	LISTED SIZE - 1/4"	LISTED SIZE + 1 1/2"
AA	-1	0"	O - O	0"	LISTED SIZE - 1/4"	LISTED SIZE - 1/4"
AA	-1	1 5/8"	M - O	0"	LISTED SIZE - 1/4"	LISTED SIZE + 3/4"
AC	-1	1/16"	EC - EC	1/16"	LISTED SIZE - 1/4"	LISTED SIZE - 1/4"
AC	-1	1/16"	EC - O	0"	LISTED SIZE - 1/4"	LISTED SIZE - 1/4"
AC	-1	0"	O - O	0"	LISTED SIZE - 1/4"	LISTED SIZE - 1/4"
CC	-1	1/16"	EC - EC	1/16"	LISTED SIZE - 1/4"	LISTED SIZE - 1/4"
CC	-1	1/16"	EC - O	0"	LISTED SIZE - 1/4"	LISTED SIZE - 1/4"
CC	-1	1/16"	EC - M	1 5/8"	LISTED SIZE - 1/4"	LISTED SIZE + 3/4"
CC	-1	1 5/8"	M - M	1 5/8"	LISTED SIZE - 1/4"	LISTED SIZE + 1 1/2"
CC	-1	0"	O - O	0"	LISTED SIZE - 1/4"	LISTED SIZE - 1/4"
CC	-1	1 5/8"	M - O	0"	LISTED SIZE - 1/4"	LISTED SIZE + 3/4"



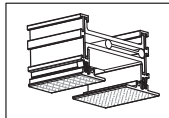
Border A

Border C

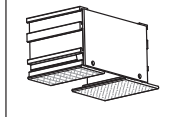
Model	H
10, 15, 20	2
25 & 30	2 1/2



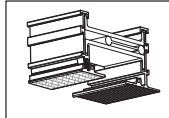
Model: AFL-FA Border F & Border A - Flush Channel & Exposed Face - Surface Mount
 AFL-FC Border F & Border C - Flush Channel Frame - Exposed Face - Surface Mount
 AFL-FF Flush Channel Frame - Surface Mount - Surface Mount
 AFLC-FH 1 Slot - Offset Height Frame - Surface Mounted
 AFLC-GG 1 Slot - Beveled Frame - Surface Mount



**Open End (O)
FA Border**



**End Cap (EC)
FA Border**



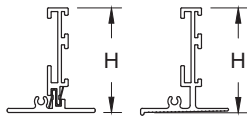
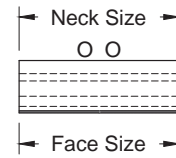
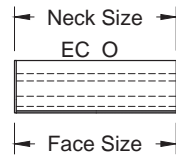
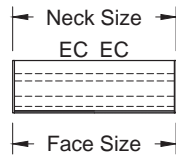
**Open End (O)
FC Border**



**End Cap (EC)
FC Border**

Border	Border Width	End Types	Border Width	Neck Size	Face Size
FA	-1 1/16"	EC - EC	1/16"	LISTED SIZE - 1/4"	LISTED SIZE - 1/4"
FA	-1 0"	O - O	0"	LISTED SIZE - 1/4"	LISTED SIZE - 1/4"
FA	-1 1/16"	EC - O	0"	LISTED SIZE - 1/4"	LISTED SIZE - 1/4"
FC	-1 1/16"	EC - EC	1/16"	LISTED SIZE - 1/4"	LISTED SIZE - 1/4"
FC	-1 0"	O - O	0"	LISTED SIZE - 1/4"	LISTED SIZE - 1/4"
FC	-1 1/16"	EC - O	0"	LISTED SIZE - 1/4"	LISTED SIZE - 1/4"
FF	-1 1/16"	EC - EC	1/16"	LISTED SIZE - 1/4"	LISTED SIZE - 1/4"
FF	-1 0"	O - O	0"	LISTED SIZE - 1/4"	LISTED SIZE - 1/4"
FF	-1 1/16"	EC - O	0"	LISTED SIZE - 1/4"	LISTED SIZE - 1/4"

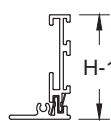
Border	Border Width	End Types	Border Width	Neck Size	Overall Face Size
GG	-1 1 5/8"	EC - EC	1/16"	LISTED SIZE - 1/4"	LISTED SIZE - 1/4"
GG	-1 0"	O - O	0"	LISTED SIZE - 1/4"	LISTED SIZE - 1/4"
GG	-1 1/16"	EC - O	0"	LISTED SIZE - 1/4"	LISTED SIZE - 1/4"



Border A

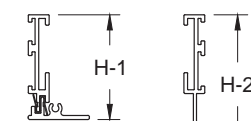
Model	H
10, 15, 20	2
25 & 30	2 1/2

Border C



Border F

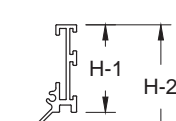
Model F	H-1
10, 15, 20	1 15/16
25 & 30	2 9/16



Border FH

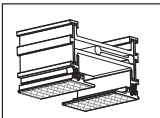
Border FH

Model FH	H-1	H-2
10, 15, 20	1 5/8	2 5/16
25 & 30	2 1/4	2 15/16

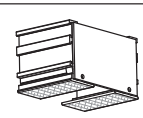


Border G

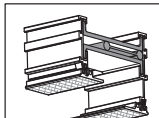
Model G-G	H-1	H-2
10, 15, 20	1 5/8	2 5/16
25 & 30	2 1/4	2 15/16



**Open End (O)
FF Border**



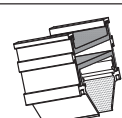
**End Cap (EC)
FF Border**



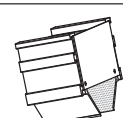
**Open End (O)
FH Border**



**End Cap (EC)
FH Border**

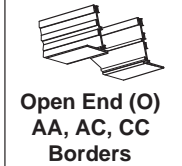


**Open End (O)
GG Border**

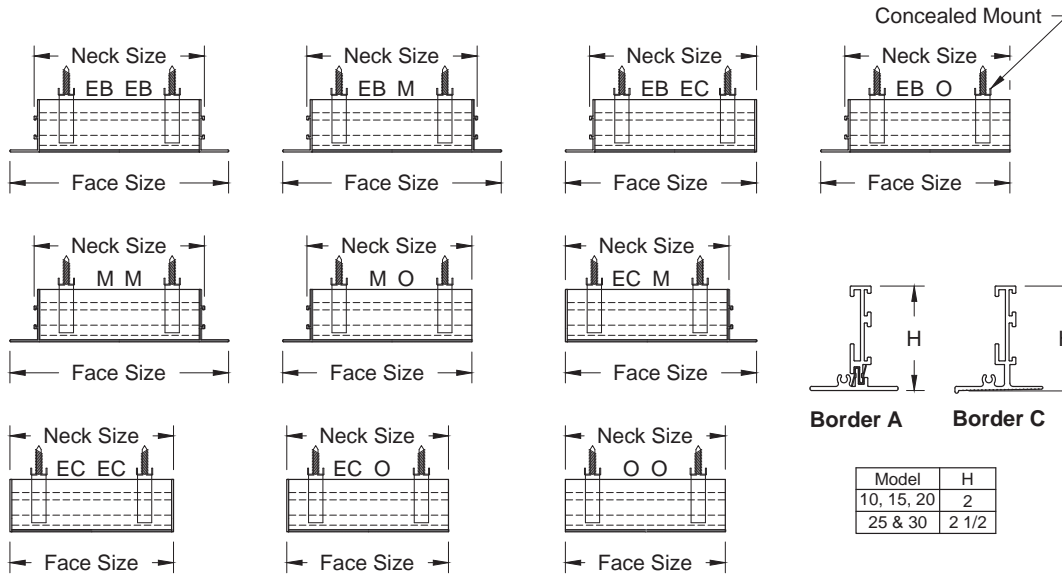


**End Cap (EC)
GG Border**

Model: AFLC-AA Border A & Border A - Exposed Face - Concealed Mount
 AFLC-AC Border A & Borders C - Exposed Face & Concealed Tape and Spackle - Concealed Mount
 AFLC-CC Border C & Border C - Concealed Tape and Spackle - Concealed Mount



Border		Border Width	End Types	Border Width	Neck Size	Overall Face Size
AA	-6	1 5/8"	EB - EB	1 5/8"	LISTED SIZE - 1 1/2"	LISTED SIZE - 1/4"
AA	-6	1 5/8"	EB - EC	1/16"	LISTED SIZE - 1 1/2"	LISTED SIZE - 1/4"
AA	-6	1 5/8"	EB - M	1 5/8"	LISTED SIZE - 1 1/2"	LISTED SIZE - 1/4"
AA	-6	1 5/8"	EB - O	0"	LISTED SIZE - 1 1/2"	LISTED SIZE - 1/4"
AA	-6	1/16"	EC - EC	1/16"	LISTED SIZE - 1 1/2"	LISTED SIZE - 1/4"
AA	-6	1/16"	EC - O	0"	LISTED SIZE - 1 1/2"	LISTED SIZE - 1/4"
AA	-6	1/16"	EC - M	1 5/8"	LISTED SIZE - 1 1/2"	LISTED SIZE - 1/4"
AA	-6	1 5/8"	M - M	1 5/8"	LISTED SIZE - 1 1/2"	LISTED SIZE - 1/4"
AA	-6	0"	O - O	0"	LISTED SIZE - 1 1/2"	LISTED SIZE - 1/4"
AA	-6	1 5/8"	M - O	0"	LISTED SIZE - 1 1/2"	LISTED SIZE - 1/4"
AC	-6	1/16"	EC - EC	1/16"	LISTED SIZE - 1 1/2"	LISTED SIZE - 1/4"
AC	-6	1/16"	EC - O	0"	LISTED SIZE - 1 1/2"	LISTED SIZE - 1/4"
AC	-6	0"	O - O	0"	LISTED SIZE - 1 1/2"	LISTED SIZE - 1/4"
CC	-6	1/16"	EC - EC	1/16"	LISTED SIZE - 1 1/2"	LISTED SIZE - 1/4"
CC	-6	1/16"	EC - O	0"	LISTED SIZE - 1 1/2"	LISTED SIZE - 1/4"
CC	-6	1/16"	EC - M	1 5/8"	LISTED SIZE - 1 1/2"	LISTED SIZE - 1/4"
CC	-6	1 5/8"	M - M	1 5/8"	LISTED SIZE - 1 1/2"	LISTED SIZE - 1/4"
CC	-6	0"	O - O	0"	LISTED SIZE - 1 1/2"	LISTED SIZE - 1/4"
CC	-6	1 5/8"	M - O	0"	LISTED SIZE - 1 1/2"	LISTED SIZE - 1/4"

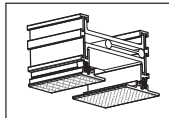


LINEAR DIFFUSERS
AND GRILLES

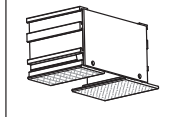
FORMATIONS
LINEAR DIFFUSERS

XG-AFL/XG-AFLC

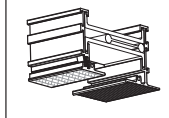
Model: AFLC-FA Border F & Border A - Flush Channel & Exposed Face - Concealed Mount
 AFLC-FC Border F & Border C - Flush Channel Frame - Exposed Face - Concealed Mount
 AFLC-FF Flush Channel Frame - Concealed Mount - Concealed Mount
 AFLC-FH 1 Slot - Offset Height Frame - Concealed Mounted
 AFLC-GG 1 Slot - Beveled Frame - Concealed Mount



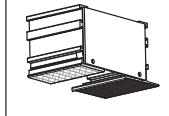
**Open End (O)
FA Border**



**End Cap (EC)
FA Border**



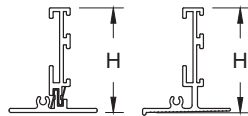
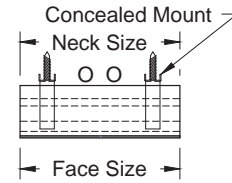
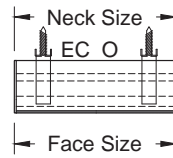
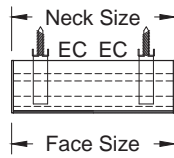
**Open End (O)
FC Border**



**End Cap (EC)
FC Border**

Border	Border Width	End Types	Border Width	Neck Size	Overall Face Size
FA	-6 1/16"	EC - EC	1/16"	LISTED SIZE - 1 1/2"	LISTED SIZE - 1/4"
FA	-6 0"	O - O	0"	LISTED SIZE - 1 1/2"	LISTED SIZE - 1/4"
FA	-6 1/16"	EC - O	0"	LISTED SIZE - 1 1/2"	LISTED SIZE - 1/4"
FC	-6 1/16"	EC - EC	1/16"	LISTED SIZE - 1 1/2"	LISTED SIZE - 1/4"
FC	-6 0"	O - O	0"	LISTED SIZE - 1 1/2"	LISTED SIZE - 1/4"
FC	-6 1/16"	EC - O	0"	LISTED SIZE - 1 1/2"	LISTED SIZE - 1/4"
FH	-6 1/16"	EC - EC	1/16"	LISTED SIZE - 1 1/2"	LISTED SIZE - 1/4"
FH	-6 0"	O - O	0"	LISTED SIZE - 1 1/2"	LISTED SIZE - 1/4"
FH	-6 1/16"	EC - O	0"	LISTED SIZE - 1 1/2"	LISTED SIZE - 1/4"

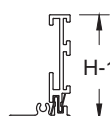
Border	Border Width	End Types	Border Width	Neck Size	Overall Face Size
GG	-6 1/16"	EC - EC	1/16"	LISTED SIZE - 1 1/2"	LISTED SIZE - 1/4"
GG	-6 0"	O - O	0"	LISTED SIZE - 1 1/2"	LISTED SIZE - 1/4"
GG	-6 1/16"	EC - O	0"	LISTED SIZE - 1 1/2"	LISTED SIZE - 1/4"



Border A

Model	H
10, 15, 20	2
25 & 30	2 1/2

Border C



Border F

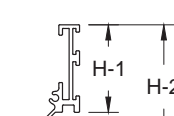
Model F	H-1
10, 15, 20	1 15/16
25 & 30	2 9/16



Border FH

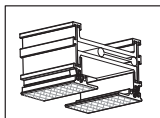
Border FH

Model FH	H-1	H-2
10, 15, 20	1 5/8	2 5/16
25 & 30	2 1/4	2 15/16

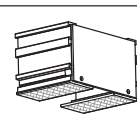


Border G

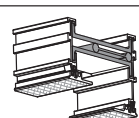
Model G-G	H-1	H-2
10, 15, 20	1 5/8	2 5/16
25 & 30	2 1/4	2 15/16



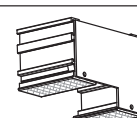
**Open End (O)
FF Border**



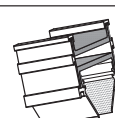
**End Cap (EC)
FF Border**



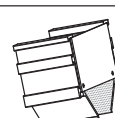
**Open End (O)
FH Border**



**End Cap (EC)
FH Border**



**Open End (O)
GG Border**



**End Cap (EC)
GG Border**

FORMATIONS MODEL NUMBER SPECIFICATIONS

ARCHITECTURAL LINEAR

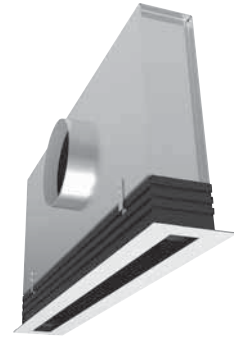
Model	Slot Width	Border Style	Frame Configuration	# of Slots	End Detail	Finish	Mtg Hdw	Pattern Controller
XG-AFL	10-1"	AA	1 - Surface Mount	1	2EB	20 - White/Black	F21	C - Combo
	15-1.5"	AC	6 - T-bar Lay in	2	1EB	02 - Satin Silver/Black	F22	S - Straight
	20-2"	CC			2EC	03 - Black/Black	F23	NB - No Pattern Controller
	25-2.5"	FF			1EC		F24	
	30-3"	FA			MM		F25	
		FC			MO		F26	
		FH			OO		F27	
		GG					F28	

Model	Slot Width	Border Style	Frame Configuration	# of Slots	End Detail	Finish	Mtg Hdw	Pattern Controller
XG-AFLC	10-1"	AA	1 - Surface Mount	1	2EB	20 - White/Black	Mounting Brackets	C - Combo
	15-1.5"	AC	6 - T-bar Lay in	2	1EB	02 - Satin Silver/Black	Screws	S - Straight
	20-2"	CC			2EC	03 - Black/Black		NB - No Pattern Controller
	25-2.5"	FF			1EC			
	30-3"	FA			MM			
		FC			MO			
		FH			OO			
		GG						

MODEL XG-AFLTS (TEE SYSTEM)

The Formations Tee System is a versatile diffuser created from the Formations Linear diffuser. Available in 24", 48" or 60" lengths, with an integral plenum, the XG-AFLTS ensures the diffuser fits tightly into numerous ceiling suspension systems for a sleek, clean appearance. A perfect choice for installation in an acoustical ceiling, the XG-AFLTS is easily repositioned, providing great flexibility.

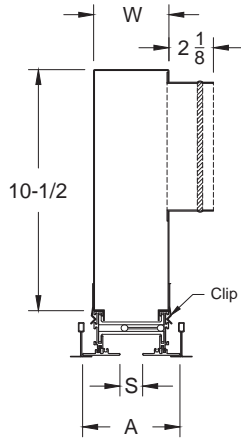
- Manufactured in pre-engineered lengths, the tee system is available in 1", 1.5" and 2" slot widths.
- Inlet Sizes – 6", 8", 10", 12" and 14"
- Finish – White Face, Black Interior
- Applications – 15/16" tee system, 9/16" tee system and 9/16" bolt slot tee system
- Available with insulation – model XG-AFLTS



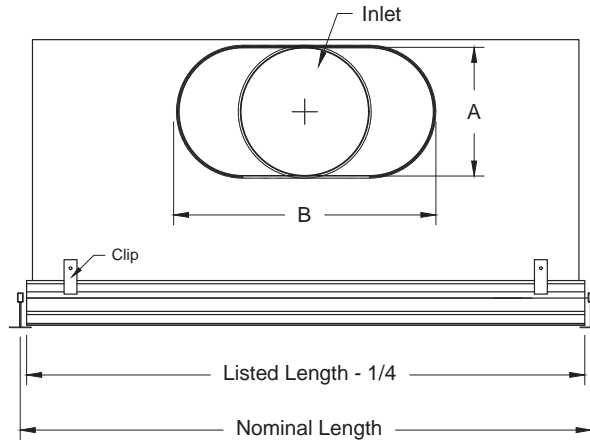
MODEL XG-AFLTS

Model: XG-AFLTS Architectural Formations Linear - Non Insulated - Lay In T-Bar

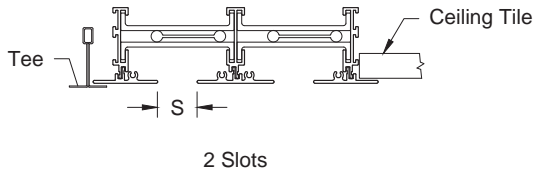
AFLTS - Lay-In T-Bar



Plenum End View



Plenum Side View



2 Slots

Inlet Chart			
Size	Type	A	B
6	Round	5 7/8	-
7	Oval	5 7/8	7 1/4
8	Oval	5 7/8	8 3/8
9	Oval	5 7/8	10
10	Oval	5 7/8	11 9/16
12	Oval	5 7/8	14 13/16
14	Oval	5 7/8	17 13/16

Models	S Slot Width	Face Width		Plenum Width		Nominal Lengths
		A	A	W	W	
AFLTS-10	1	4 1/4	7 3/16	3 1/4	6 3/16	24, 48, 60
AFLTS-15	1 1/2	4 3/4	8 3/16	3 3/4	7 3/16	24, 48, 60
AFLTS-20	2	5 1/4	9 3/16	4 1/4	8 3/16	24, 48, 60

1. Available Finishes

Standard Finish:
 20 - White Face and Black Interior
 Optional Finish
 02 - Satin Silver Face and Black Interior
 03 - Black Face and Black Interior
 28 - Custom Face Color and Black Interior

2. Available Accessories

3. Available Options

1EC - (1) End Cap
 2EC - (2) End Caps
 1EB - (1) End Border
 2EB - (2) End Borders
 OO - Open / Open
 MM - Mitered / Mitered
 MO - Mitered / Open

4. Construction Details

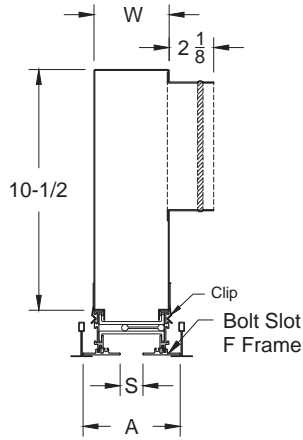
- Material Extruded Aluminum
- C - Combo Pattern Controller
- S - Standard Pattern Controller
- Standard Single Section size: (12" minimum - 96" maximum)
- Lengths larger than 96" made in multiple sections

All Dimensions ±1/16"

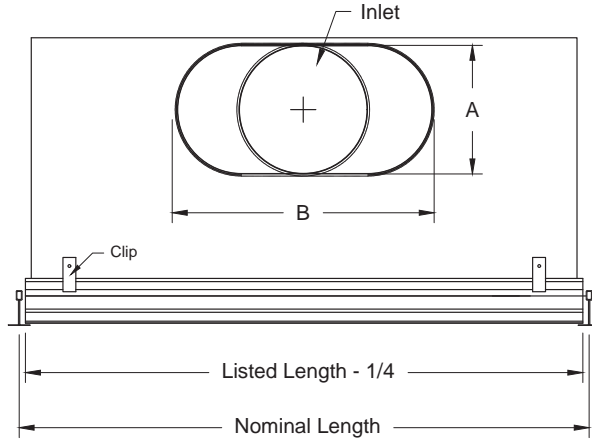
MODEL XG-AFLTSB

Model: XG-AFLTSB Architectural Formations Linear - Non Insulated - Bolt Slot

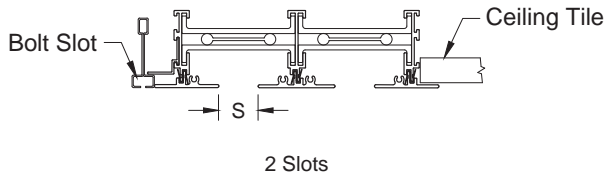
AFLTSB - Bolt Slot



Plenum End View



Plenum Side View



2 Slots

Inlet Chart			
Size	Type	A	B
6	Round	5 7/8	-
7	Oval	5 7/8	7 1/4
8	Oval	5 7/8	8 3/8
9	Oval	5 7/8	10
10	Oval	5 7/8	11 9/16
12	Oval	5 7/8	14 13/16
14	Oval	5 7/8	17 13/16

Models	S Slot Width	Face Width		Plenum Width		Nominal Lengths
		A	A	W	W	
AFLTSB-10	1	4 1/4	7 3/16	3 1/4	6 3/16	24, 48, 60
AFLTSB-15	1 1/2	4 3/4	8 3/16	3 3/4	7 3/16	24, 48, 60
AFLTSB-20	2	5 1/4	9 3/16	4 1/4	8 3/16	24, 48, 60

1. Available Finishes

Standard Finish:
20 - White Face and Black Interior

Optional Finish
02 - Satin Silver Face and Black Interior
03 - Black Face and Black Interior
28 - Custom Face Color and Black Interior

2. Available Accessories

3. Available Options

1EC - (1) End Cap
2EC - (2) End Caps
1EB - (1) End Border
2EB - (2) End Borders
OO - Open / Open
MM - Mitered / Mitered
MO - Mitered / Open

4. Construction Details

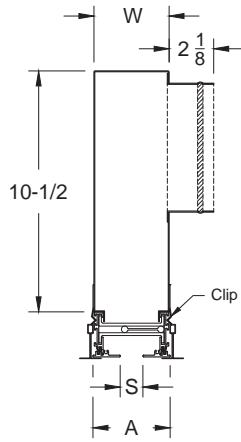
- Material Extruded Aluminum
- C - Combo Pattern Controller
- S - Standard Pattern Controller
- Standard Single Section size: (12" minimum - 96" maximum)
- Lengths larger than 96" made in multiple sections

All Dimensions ±1/16"

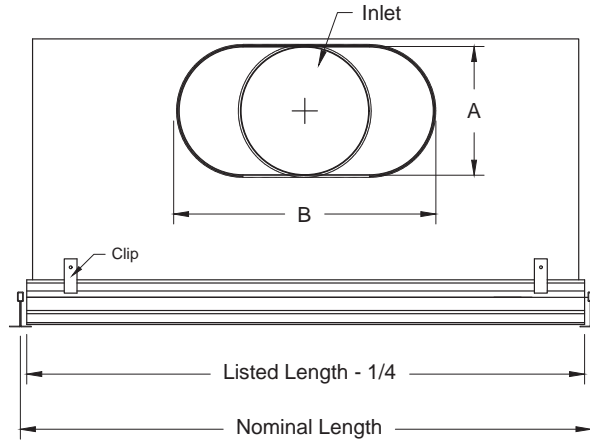
MODEL XG-AFLTS-FF

Model: XG-AFLTS-FF Architectural Formations Linear - F Frame - Non Insulated - Lay In T-Bar

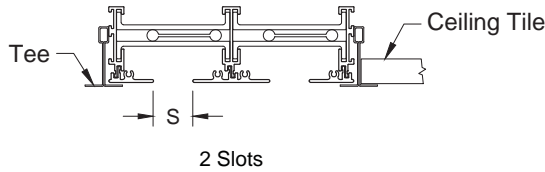
AFLTS-FF - Lay-In T-Bar



Plenum End View



Plenum Side View



Inlet Chart			
Size	Type	A	B
6	Round	5 7/8	-
7	Oval	5 7/8	7 1/4
8	Oval	5 7/8	8 3/8
9	Oval	5 7/8	10
10	Oval	5 7/8	11 9/16
12	Oval	5 7/8	14 13/16
14	Oval	5 7/8	17 13/16

Models	S Slot Width	Face Width		Plenum Width		Nominal Lengths
		A	A	W	W	
AFLTS-FF-10	1	3 1/4	6 3/16	3 1/4	6 3/16	24, 48, 60
AFLTS-FF-15	1 1/2	3 3/4	7 3/16	3 3/4	7 3/16	24, 48, 60
AFLTS-FF-20	2	4 1/4	8 3/16	4 1/4	8 3/16	24, 48, 60

1. Available Finishes

Standard Finish:
 20 - White Face and Black Interior
 Optional Finish
 02 - Satin Silver Face and Black Interior
 03 - Black Face and Black Interior
 28 - Custom Face Color and Black Interior

2. Available Accessories

3. Available Options

1EC - (1) End Cap
 2EC - (2) End Caps
 OO - Open / Open

4. Construction Details

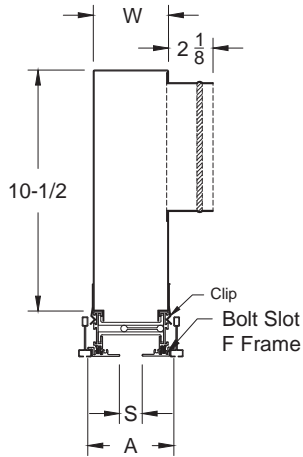
- Material Extruded Aluminum
- C - Combo Pattern Controller
- S - Standard Pattern Controller
- Standard Single Section size: (12" minimum - 96" maximum)
- Lengths larger than 96" made in multiple sections

All Dimensions ±1/16"

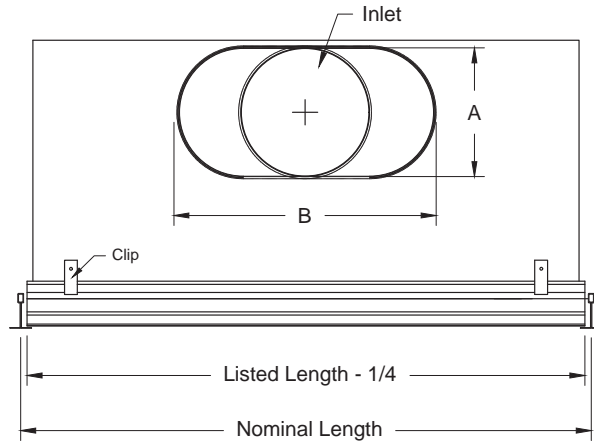
MODEL XG-AFLTSB-FF

Model: XG-AFLTSB-FF Architectural Formations Linear - F Frame - Non Insulated - Bolt Slot

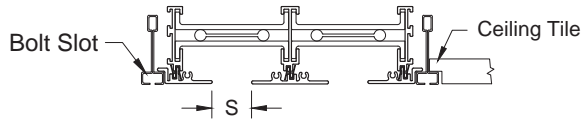
AFLTSB-FF - Bolt Slot



Plenum End View



Plenum Side View



2 Slots

Inlet Chart			
Size	Type	A	B
6	Round	5 7/8	-
7	Oval	5 7/8	7 1/4
8	Oval	5 7/8	8 3/8
9	Oval	5 7/8	10
10	Oval	5 7/8	11 9/16
12	Oval	5 7/8	14 13/16
14	Oval	5 7/8	17 13/16

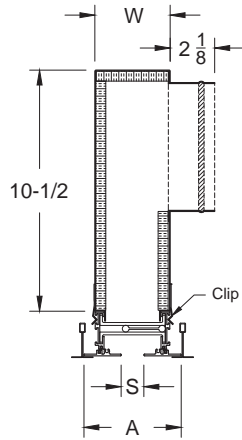
Models	S Slot Width	Face Width		Plenum Width		Nominal Lengths
		A	A	W	W	
AFLTSB-FF-10	1	4	6 15/16	3 1/4	6 3/16	24, 48, 60
AFLTSB-FF-15	1 1/2	4 1/2	7 15/16	3 3/4	7 3/16	24, 48, 60
AFLTSB-FF-20	2	5	8 15/16	4 1/4	8 3/16	24, 48, 60

1. Available Finishes	2. Available Accessories	3. Available Options	4. Construction Details
<p>Standard Finish:</p> <ul style="list-style-type: none"> 20 - White Face and Black Interior <p>Optional Finish</p> <ul style="list-style-type: none"> 02 - Satin Silver Face and Black Interior 03 - Black Face and Black Interior 28 - Custom Face Color and Black Interior 		<ul style="list-style-type: none"> 1EC - (1) End Cap 2EC - (2) End Caps OO - Open / Open 	<ul style="list-style-type: none"> Material Extruded Aluminum C - Combo Pattern Controller S - Standard Pattern Controller Standard Single Section size: (12" minimum - 96" maximum) Lengths larger than 96" made in multiple sections <p>All Dimensions ±1/16"</p>

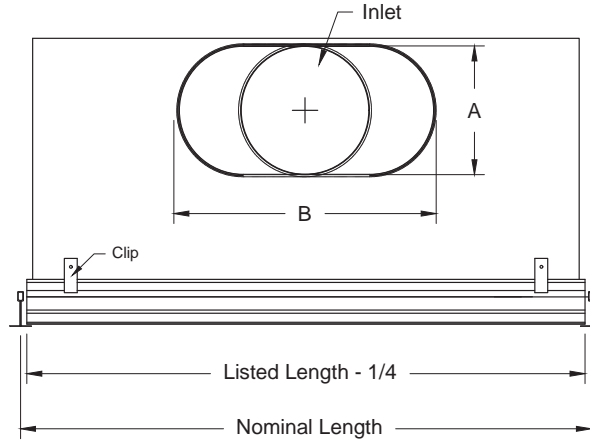
MODEL XG-AFLTSI

Model: XG-AFLTSI Architectural Formation Linear - Insulated - Lay In T-Bar

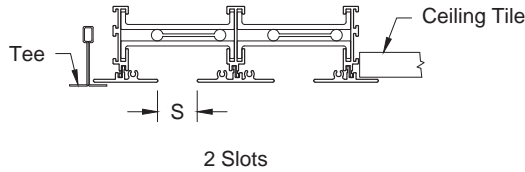
AFLTSI - Lay-In T-Bar



Plenum End View



Plenum Side View



2 Slots

Inlet Chart			
Size	Type	A	B
6	Round	5 7/8	-
7	Oval	5 7/8	7 1/4
8	Oval	5 7/8	8 3/8
9	Oval	5 7/8	10
10	Oval	5 7/8	11 9/16
12	Oval	5 7/8	14 13/16
14	Oval	5 7/8	17 13/16

Models	S Slot Width	Face Width		Plenum Width		Nominal Lengths
		A	A	W	W	
AFLTSI-10	1	4 1/4	7 3/16	3 1/4	6 3/16	24, 48, 60
AFLTSI-15	1 1/2	4 3/4	8 3/16	3 3/4	7 3/16	24, 48, 60
AFLTSI-20	2	5 1/4	9 3/16	4 1/4	8 3/16	24, 48, 60

1. Available Finishes

Standard Finish:
 20 - White Face and Black Interior
 Optional Finish
 02 - Satin Silver Face and Black Interior
 03 - Black Face and Black Interior
 28 - Custom Face Color and Black Interior

2. Available Accessories

3. Available Options

1EC - (1) End Cap
 2EC - (2) End Caps
 1EB - (1) End Border
 2EB - (2) End Borders
 OO - Open / Open
 MM - Mitered / Mitered
 MO - Mitered / Open

4. Construction Details

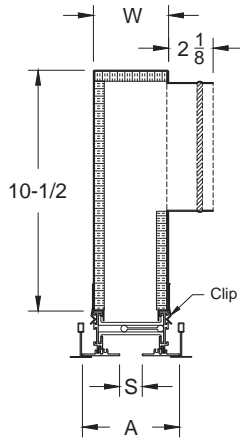
- Material Extruded Aluminum
- C - Combo Pattern Controller
- S - Standard Pattern Controller
- Standard Single Section size: (12" minimum - 96" maximum)
- Lengths larger than 96" made in multiple sections

All Dimensions ±1/16"

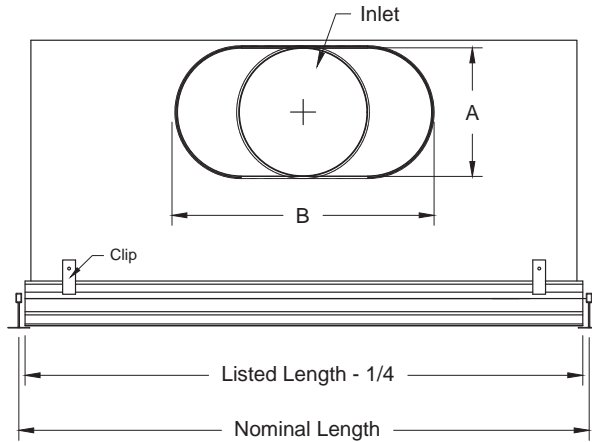
MODEL XG-AFLTSBI

Model: XG-AFLTSBI Architectural Formations Linear - Insulated - Bolt Slot

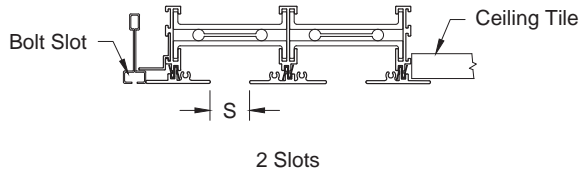
AFLTSBI - Bolt Slot



Plenum End View



Plenum Side View



2 Slots

Inlet Chart			
Size	Type	A	B
6	Round	5 7/8	-
7	Oval	5 7/8	7 1/4
8	Oval	5 7/8	8 3/8
9	Oval	5 7/8	10
10	Oval	5 7/8	11 9/16
12	Oval	5 7/8	14 13/16
14	Oval	5 7/8	17 13/16

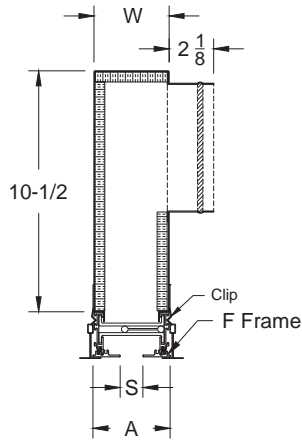
Models	S Slot Width	Face Width		Plenum Width		Nominal Lengths
		A	A	W	W	
AFLTSBI-10	1	4 1/4	7 3/16	3 1/4	6 3/16	24, 48, 60
AFLTSBI-15	1 1/2	4 3/4	8 3/16	3 3/4	7 3/16	24, 48, 60
AFLTSBI-20	2	5 1/4	9 3/16	4 1/4	8 3/16	24, 48, 60

1. Available Finishes	2. Available Accessories	3. Available Options	4. Construction Details
<p>Standard Finish: 20 - White Face and Black Interior</p> <p>Optional Finish 02 - Satin Silver Face and Black Interior 03 - Black Face and Black Interior 28 - Custom Face Color and Black Interior</p>		<p>1EC - (1) End Cap 2EC - (2) End Caps 1EB - (1) End Border 2EB - (2) End Borders OO - Open / Open MM - Mitered / Mitered MO - Mitered / Open</p>	<ul style="list-style-type: none"> • Material Extruded Aluminum • C - Combo Pattern Controller • S - Standard Pattern Controller • Standard Single Section size: (12" minimum - 96" maximum) • Lengths larger than 96" made in multiple sections <p style="text-align: right;">All Dimensions ±1/16"</p>

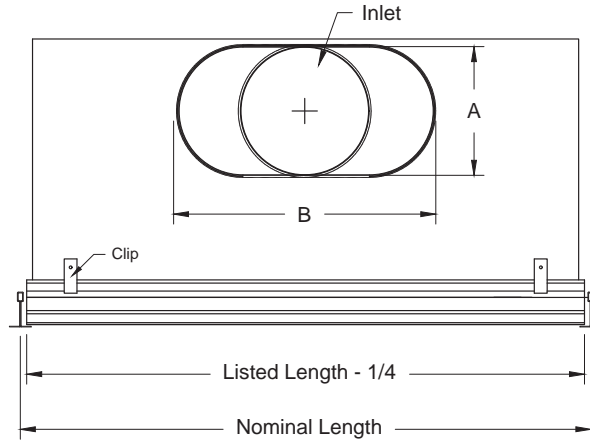
MODEL XG-AFLTSI-FF

Model: XG-AFLTSI-FF Architectural Formation Linear - F Frame - Insulated - Lay In T-Bar

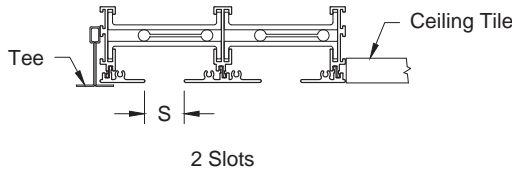
AFLTSI-FF - Lay-In T-Bar



Plenum End View



Plenum Side View



Inlet Chart			
Size	Type	A	B
6	Round	5 7/8	-
7	Oval	5 7/8	7 1/4
8	Oval	5 7/8	8 3/8
9	Oval	5 7/8	10
10	Oval	5 7/8	11 9/16
12	Oval	5 7/8	14 13/16
14	Oval	5 7/8	17 13/16

Models	S Slot Width	Face Width		Plenum Width		Nominal Lengths
		A	A	W	W	
AFLTSI-FF-10	1	3 1/4	6 3/16	3 1/4	6 3/16	24, 48, 60
AFLTSI-FF-15	1 1/2	3 3/4	7 3/16	3 3/4	7 3/16	24, 48, 60
AFLTSI-FF-20	2	4 1/4	8 3/16	4 1/4	8 3/16	24, 48, 60

1. Available Finishes

Standard Finish:
20 - White Face and Black Interior
Optional Finish
02 - Satin Silver Face and Black Interior
03 - Black Face and Black Interior
28 - Custom Face Color and Black Interior

2. Available Accessories

3. Available Options

1EC - (1) End Cap
2EC - (2) End Caps
OO - Open / Open

4. Construction Details

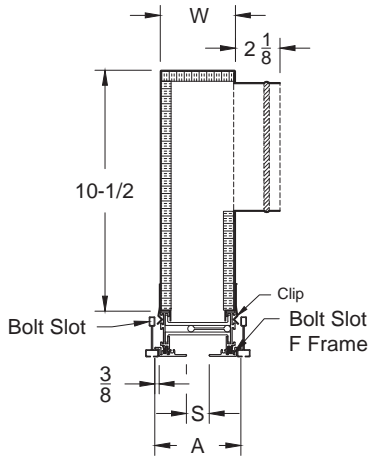
- Material Extruded Aluminum
- C - Combo Pattern Controller
- S - Standard Pattern Controller
- Standard Single Section size: (12" minimum - 96" maximum)
- Lengths larger than 96" made in multiple sections

All Dimensions ±1/16"

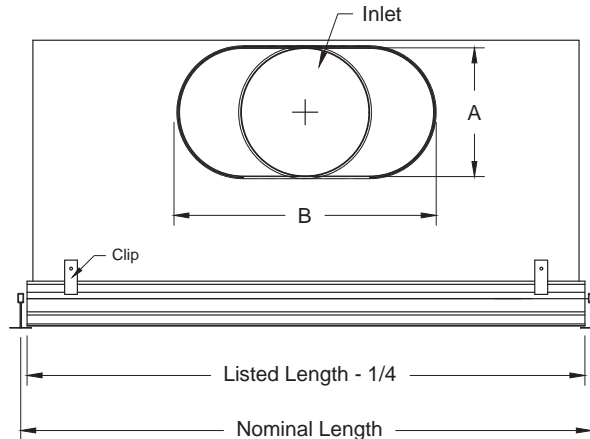
MODEL XG-AFLTSBI-FF

Model: XG-AFLTSBI-FF Architectural Formations Linear - F Frame - Insulated - Bolt Slot

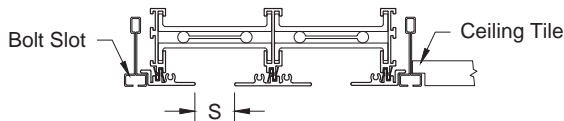
AFLTSBI-FF - Bolt Slot



Plenum End View



Plenum Side View



2 Slots

Inlet Chart			
Size	Type	A	B
6	Round	5 7/8	-
7	Oval	5 7/8	7 1/4
8	Oval	5 7/8	8 3/8
9	Oval	5 7/8	10
10	Oval	5 7/8	11 9/16
12	Oval	5 7/8	14 13/16
14	Oval	5 7/8	17 13/16

Models	S Slot Width	Face Width		Plenum Width		Nominal Lengths
		A 1 Slot	A 2 Slot	W 1 Slot	W 2 Slot	
AFLTSBI-FF-10	1	4	6 15/16	3 1/4	6 3/16	24, 48, 60
AFLTSBI-FF-15	1 1/2	4 1/2	7 15/16	3 3/4	7 3/16	24, 48, 60
AFLTSBI-FF-20	2	5	8 15/16	4 1/4	8 3/16	24, 48, 60

1. Available Finishes	2. Available Accessories	3. Available Options	4. Construction Details
<p>Standard Finish: 20 - White Face and Black Interior</p> <p>Optional Finish 02 - Satin Silver Face and Black Interior 03 - Black Face and Black Interior 28 - Custom Face Color and Black Interior</p>		<p>1EC - (1) End Cap 2EC - (2) End Caps OO - Open / Open</p>	<ul style="list-style-type: none"> ◆ Material Extruded Aluminum ◆ C - Combo Pattern Controller ◆ S - Standard Pattern Controller ◆ Standard Single Section size: (12" minimum - 96" maximum) ◆ Lengths larger than 96" made in multiple sections <p style="text-align: right;">All Dimensions ±1/16"</p>

FORMATIONS MODEL NUMBER SPECIFICATIONS
ARCHITECTURAL LINEAR

Model	Slot Width	Border Style	Inlet	# of Slots	Length	Finish	Mtg Hdw	Pattern Controller	Available Options	
XG-AFLTS	10-1"	AA	NI - No Inlet	1	24	20 - White/Black	F26	C - Combo	XG-FODR	Face Operated Damper
XG-AFLTSI	15-1.5"	FF	06	2	48	02 - Satin Silver/Black		S - Straight	XG-ID	Inlet Damper
XG-AFLTSB	20-2"		08		60	03 - Black/Black			XG-ROD	Remote Operated Damper
XG-AFLTSBI			10						XG-CC	Closed Cell Insulation
			12						XG-EI	External Insulation
			14							

FORMATIONS PERFORMANCE DATA
ONE SLOT STANDARD BLADE HORIZONTAL THROW WITH GREENHECK PLENUM

One Slot — 1" Slot Width	Horizontal Throw	6" Round Inlet	2 ft.	CFM	65	80	95	105	120	130	145	
				Ps	.044	.067	.096	.129	.168	.212	.261	.315
Pt	.049	.074	.106	.144	.186	.235	.288	.349				
NC	-	19	24	27	30	33	35	37				
Throw	5-7-11	6-9-12	7-9-13	8-10-14	9-11-15	9-11-16	10-12-17	10-13-18				
One Slot — 1" Slot Width <td rowspan="2">Horizontal Throw <td rowspan="2">6" Round Inlet <td rowspan="2">4 ft.</td> <td>CFM</td> <td>110</td> <td>135</td> <td>160</td> <td>185</td> <td>210</td> <td>240</td> <td>265</td> <td>290</td> </td></td>	Horizontal Throw <td rowspan="2">6" Round Inlet <td rowspan="2">4 ft.</td> <td>CFM</td> <td>110</td> <td>135</td> <td>160</td> <td>185</td> <td>210</td> <td>240</td> <td>265</td> <td>290</td> </td>	6" Round Inlet <td rowspan="2">4 ft.</td> <td>CFM</td> <td>110</td> <td>135</td> <td>160</td> <td>185</td> <td>210</td> <td>240</td> <td>265</td> <td>290</td>	4 ft.	CFM	110	135	160	185	210	240	265	290
				Ps	.048	.075	.106	.144	.187	.235	.290	.350
Pt	.068	.104	.148	.199	.258	.329	.403	.486				
NC	17	21	26	29	32	35	37	39				
Throw	6-10-15	8-12-17	10-13-19	11-14-20	12-15-21	13-16-23	14-17-24	14-18-25				
One Slot — 1" Slot Width <td rowspan="2">Horizontal Throw <td rowspan="2">6" Round Inlet <td rowspan="2">5 ft.</td> <td>CFM</td> <td>135</td> <td>170</td> <td>200</td> <td>235</td> <td>265</td> <td>300</td> <td>330</td> <td>365</td> </td></td>	Horizontal Throw <td rowspan="2">6" Round Inlet <td rowspan="2">5 ft.</td> <td>CFM</td> <td>135</td> <td>170</td> <td>200</td> <td>235</td> <td>265</td> <td>300</td> <td>330</td> <td>365</td> </td>	6" Round Inlet <td rowspan="2">5 ft.</td> <td>CFM</td> <td>135</td> <td>170</td> <td>200</td> <td>235</td> <td>265</td> <td>300</td> <td>330</td> <td>365</td>	5 ft.	CFM	135	170	200	235	265	300	330	365
				Ps	.053	.082	.117	.158	.205	.259	.319	.384
Pt	.083	.129	.182	.247	.319	.405	.495	.600				
NC	18	23	27	31	34	36	39	41				
Throw	9-13-17	11-16-19	13-18-21	15-19-22	17-20-24	18-22-25	19-23-27	19-24-28				
One Slot — 1" Slot Width <td rowspan="2">Horizontal Throw <td rowspan="2">8" Oval Inlet <td rowspan="2">2 ft.</td> <td>CFM</td> <td>55</td> <td>65</td> <td>80</td> <td>95</td> <td>105</td> <td>120</td> <td>130</td> <td>145</td> </td></td>	Horizontal Throw <td rowspan="2">8" Oval Inlet <td rowspan="2">2 ft.</td> <td>CFM</td> <td>55</td> <td>65</td> <td>80</td> <td>95</td> <td>105</td> <td>120</td> <td>130</td> <td>145</td> </td>	8" Oval Inlet <td rowspan="2">2 ft.</td> <td>CFM</td> <td>55</td> <td>65</td> <td>80</td> <td>95</td> <td>105</td> <td>120</td> <td>130</td> <td>145</td>	2 ft.	CFM	55	65	80	95	105	120	130	145
				Ps	.043	.056	.094	.126	.164	.207	.255	.307
Pt	.044	.068	.097	.132	.171	.215	.265	.320				
NC		17	22	26	30	33	36	39				
Throw	5-7-11	6-9-12	7-9-13	8-10-14	9-11-15	9-11-16	10-12-17	10-13-18				
One Slot — 1" Slot Width <td rowspan="2">Horizontal Throw <td rowspan="2">8" Oval Inlet <td rowspan="2">4 ft.</td> <td>CFM</td> <td>110</td> <td>135</td> <td>160</td> <td>185</td> <td>210</td> <td>240</td> <td>265</td> <td>290</td> </td></td>	Horizontal Throw <td rowspan="2">8" Oval Inlet <td rowspan="2">4 ft.</td> <td>CFM</td> <td>110</td> <td>135</td> <td>160</td> <td>185</td> <td>210</td> <td>240</td> <td>265</td> <td>290</td> </td>	8" Oval Inlet <td rowspan="2">4 ft.</td> <td>CFM</td> <td>110</td> <td>135</td> <td>160</td> <td>185</td> <td>210</td> <td>240</td> <td>265</td> <td>290</td>	4 ft.	CFM	110	135	160	185	210	240	265	290
				Ps	.047	.073	.104	.141	.183	.230	.283	.342
Pt	.054	.084	.119	.160	.208	.264	.324	.391				
NC	-	19	24	28	32	35	38	41				
Throw	6-10-15	8-12-17	10-13-19	11-14-20	12-15-21	13-16-23	14-17-24	14-18-25				
One Slot — 1" Slot Width <td rowspan="2">Horizontal Throw <td rowspan="2">8" Oval Inlet <td rowspan="2">5 ft.</td> <td>CFM</td> <td>135</td> <td>170</td> <td>200</td> <td>235</td> <td>265</td> <td>300</td> <td>330</td> <td>365</td> </td></td>	Horizontal Throw <td rowspan="2">8" Oval Inlet <td rowspan="2">5 ft.</td> <td>CFM</td> <td>135</td> <td>170</td> <td>200</td> <td>235</td> <td>265</td> <td>300</td> <td>330</td> <td>365</td> </td>	8" Oval Inlet <td rowspan="2">5 ft.</td> <td>CFM</td> <td>135</td> <td>170</td> <td>200</td> <td>235</td> <td>265</td> <td>300</td> <td>330</td> <td>365</td>	5 ft.	CFM	135	170	200	235	265	300	330	365
				Ps	.052	.080	.114	.155	.201	.253	.311	.376
Pt	.063	.097	.138	.187	.242	.306	.375	.453				
NC	-	20	25	30	34	37	40	42				
Throw	9-13-17	11-16-19	13-18-21	15-19-22	17-20-24	18-22-25	19-23-27	19-24-28				

FORMATIONS PERFORMANCE DATA
ONE SLOT STANDARD BLADE HORIZONTAL THROW WITH GREENHECK PLENUM

One Slot — 1.5" Slot Width	Horizontal Throw	6" Round Inlet	2 ft.	CFM	55	70	90	110	125	145	160	180
				Ps	.026	.047	.073	.105	.143	.187	.236	.292
Pt	.031	.055	.086	.125	.168	.221	.278	.344				
NC	-	18	23	27	31	34	37	39				
Throw	3-6-11	5-8-12	6-9-14	8-11-15	9-12-17	10-12-18	11-13-19	11-14-20				
One Slot — 1.5" Slot Width <td rowspan="2">Horizontal Throw <td rowspan="2">6" Round Inlet <td rowspan="2">4 ft.</td> <td>CFM</td> <td>110</td> <td>145</td> <td>180</td> <td>215</td> <td>250</td> <td>290</td> <td>325</td> <td>360</td> </td></td>	Horizontal Throw <td rowspan="2">6" Round Inlet <td rowspan="2">4 ft.</td> <td>CFM</td> <td>110</td> <td>145</td> <td>180</td> <td>215</td> <td>250</td> <td>290</td> <td>325</td> <td>360</td> </td>	6" Round Inlet <td rowspan="2">4 ft.</td> <td>CFM</td> <td>110</td> <td>145</td> <td>180</td> <td>215</td> <td>250</td> <td>290</td> <td>325</td> <td>360</td>	4 ft.	CFM	110	145	180	215	250	290	325	360
				Ps	.029	.052	.081	.117	.159	.207	.262	.324
Pt	.049	.086	.133	.191	.260	.343	.433	.534				
NC	-	20	25	29	33	36	39	41				
Throw	5-8-15	7-11-18	9-13-20	11-15-22	12-17-23	14-18-25	15-19-26	16-20-28				
One Slot — 1.5" Slot Width <td rowspan="2">Horizontal Throw <td rowspan="2">6" Round Inlet <td rowspan="2">5 ft.</td> <td>CFM</td> <td>135</td> <td>180</td> <td>225</td> <td>270</td> <td>315</td> <td>360</td> <td>405</td> <td>450</td> </td></td>	Horizontal Throw <td rowspan="2">6" Round Inlet <td rowspan="2">5 ft.</td> <td>CFM</td> <td>135</td> <td>180</td> <td>225</td> <td>270</td> <td>315</td> <td>360</td> <td>405</td> <td>450</td> </td>	6" Round Inlet <td rowspan="2">5 ft.</td> <td>CFM</td> <td>135</td> <td>180</td> <td>225</td> <td>270</td> <td>315</td> <td>360</td> <td>405</td> <td>450</td>	5 ft.	CFM	135	180	225	270	315	360	405	450
				Ps	.032	.057	.089	.128	.175	.228	.289	.356
Pt	.062	.109	.171	.246	.335	.438	.554	.684				
NC	15	21	27	31	34	37	40	43				
Throw	6-11-17	9-14-20	12-18-22	14-21-24	17-22-26	19-24-28	21-25-30	22-26-31				
One Slot — 1.5" Slot Width <td rowspan="2">Horizontal Throw <td rowspan="2">8" Oval Inlet <td rowspan="2">2 ft.</td> <td>CFM</td> <td>55</td> <td>70</td> <td>90</td> <td>110</td> <td>125</td> <td>145</td> <td>160</td> <td>180</td> </td></td>	Horizontal Throw <td rowspan="2">8" Oval Inlet <td rowspan="2">2 ft.</td> <td>CFM</td> <td>55</td> <td>70</td> <td>90</td> <td>110</td> <td>125</td> <td>145</td> <td>160</td> <td>180</td> </td>	8" Oval Inlet <td rowspan="2">2 ft.</td> <td>CFM</td> <td>55</td> <td>70</td> <td>90</td> <td>110</td> <td>125</td> <td>145</td> <td>160</td> <td>180</td>	2 ft.	CFM	55	70	90	110	125	145	160	180
				Ps	.024	.042	.066	.094	.129	.168	.213	.262
Pt	.025	.045	.070	.102	.138	.180	.227	.281				
NC	-	-	19	24	29	33	36	39				
Throw	3-6-11	5-8-12	6-9-14	8-11-15	9-12-17	10-12-18	11-13-19	11-14-20				
One Slot — 1.5" Slot Width <td rowspan="2">Horizontal Throw <td rowspan="2">8" Oval Inlet <td rowspan="2">4 ft.</td> <td>CFM</td> <td>110</td> <td>145</td> <td>180</td> <td>215</td> <td>250</td> <td>290</td> <td>325</td> <td>360</td> </td></td>	Horizontal Throw <td rowspan="2">8" Oval Inlet <td rowspan="2">4 ft.</td> <td>CFM</td> <td>110</td> <td>145</td> <td>180</td> <td>215</td> <td>250</td> <td>290</td> <td>325</td> <td>360</td> </td>	8" Oval Inlet <td rowspan="2">4 ft.</td> <td>CFM</td> <td>110</td> <td>145</td> <td>180</td> <td>215</td> <td>250</td> <td>290</td> <td>325</td> <td>360</td>	4 ft.	CFM	110	145	180	215	250	290	325	360
				Ps	.026	.047	.073	.105	.143	.187	.236	.292
Pt	.033	.059	.092	.132	.179	.236	.298	.367				
NC	-	-	21	26	31	35	38	41				
Throw	5-8-15	7-11-18	9-13-20	11-15-22	12-17-23	14-18-25	15-19-26	16-20-28				
One Slot — 1.5" Slot Width <td rowspan="2">Horizontal Throw <td rowspan="2">8" Oval Inlet <td rowspan="2">5 ft.</td> <td>CFM</td> <td>135</td> <td>180</td> <td>225</td> <td>270</td> <td>315</td> <td>360</td> <td>405</td> <td>450</td> </td></td>	Horizontal Throw <td rowspan="2">8" Oval Inlet <td rowspan="2">5 ft.</td> <td>CFM</td> <td>135</td> <td>180</td> <td>225</td> <td>270</td> <td>315</td> <td>360</td> <td>405</td> <td>450</td> </td>	8" Oval Inlet <td rowspan="2">5 ft.</td> <td>CFM</td> <td>135</td> <td>180</td> <td>225</td> <td>270</td> <td>315</td> <td>360</td> <td>405</td> <td>450</td>	5 ft.	CFM	135	180	225	270	315	360	405	450
				Ps	.029	.051	.080	.115	.157	.205	.260	.321
Pt	.039	.070	.110	.158	.215	.281	.355	.439				
NC	-	16	22	28	32	36	39	42				
Throw	6-11-17	9-14-20	12-18-22	14-21-24	17-22-26	19-24-28	21-25-30	22-26-31				

FORMATIONS PERFORMANCE DATA
ONE SLOT STANDARD BLADE HORIZONTAL THROW WITH GREENHECK PLENUM

One Slot — 2" Slot Width	Horizontal Throw	8" Oval Inlet	2 ft.	CFM	100	120	140	160	180	200	220	240	
				Ps	.044	.063	.086	.112	.142	.176	.212	.253	
				Pt	.050	.072	.097	.127	.161	.199	.241	.286	
				NC	-	18	23	27	30	33	36	38	
				Throw	6-9-15	7-11-16	8-12-17	10-13-19	11-14-20	12-15-21	13-15-22	13-16-23	
			4 ft.	CFM	200	240	280	320	360	400	440	480	
					Ps	.049	.070	.096	.125	.158	.195	.236	.281
					Pt	.072	.104	.141	.184	.233	.288	.349	.415
					NC	15	20	25	29	32	35	38	40
					Throw	9-13-21	10-15-23	12-17-25	14-19-26	15-20-28	17-21-29	18-22-31	19-23-32
			5 ft.	CFM	250	300	350	400	450	500	550	600	
					Ps	.054	.077	.105	.137	.174	.215	.260	.309
					Pt	.090	.130	.176	.230	.292	.360	.436	.518
					NC	17	22	26	30	34	37	39	42
					Throw	11-17-23	14-21-25	16-23-28	18-25-29	21-26-31	23-28-33	24-29-34	25-31-36
One Slot — 2" Slot Width	Horizontal Throw	12" Oval Inlet	2 ft.	CFM	100	120	140	160	180	200	220	240	
				Ps	.043	.062	.085	.111	.140	.173	.209	.249	
				Pt	.045	.065	.088	.115	.146	.180	.218	.259	
				NC	-	17	22	26	30	33	36	38	
				Throw	6-9-15	7-11-16	8-12-17	10-13-19	11-14-20	12-15-21	13-15-22	13-16-23	
			4 ft.	CFM	200	240	280	320	360	400	440	480	
				Ps	.048	.069	.094	.123	.156	.192	.232	.276	
				Pt	.055	.079	.108	.141	.179	.221	.267	.318	
				NC	-	19	24	28	32	35	38	40	
				Throw	9-13-21	10-15-23	12-17-25	14-19-26	15-20-28	17-21-29	18-22-31	19-23-32	
			5 ft.	CFM	250	300	350	400	450	500	550	600	
				Ps	.053	.076	.103	.135	.171	.211	.256	.304	
				Pt	.064	.092	.125	.164	.207	.256	.310	.369	
				NC	-	20	25	29	33	36	39	42	
				Throw	11-17-23	14-21-25	16-23-28	18-25-29	21-26-31	23-28-33	24-29-34	25-31-36	

FORMATIONS PERFORMANCE DATA
ONE SLOT STANDARD BLADE HORIZONTAL THROW WITH GREENHECK PLENUM

One Slot — 2.5" Slot Width	Horizontal Throw	10" Oval Inlet	2 ft.	CFM	130	160	190	220	250	280	310	340
				Ps	.049	.075	.106	.142	.183	.229	.281	.338
Pt	.054	.082	.116	.156	.201	.253	.310	.372				
NC	-	16	22	27	31	34	37	39				
Throw	7-10-17	9-13-19	10-14-20	12-15-22	13-16-23	14-17-25	15-18-26	16-19-27				
One Slot — 2.5" Slot Width <td rowspan="2">Horizontal Throw <td rowspan="2">10" Oval Inlet <td rowspan="2">4 ft.</td> <td>CFM</td> <td>260</td> <td>320</td> <td>380</td> <td>440</td> <td>500</td> <td>560</td> <td>620</td> <td>680</td> </td></td>	Horizontal Throw <td rowspan="2">10" Oval Inlet <td rowspan="2">4 ft.</td> <td>CFM</td> <td>260</td> <td>320</td> <td>380</td> <td>440</td> <td>500</td> <td>560</td> <td>620</td> <td>680</td> </td>	10" Oval Inlet <td rowspan="2">4 ft.</td> <td>CFM</td> <td>260</td> <td>320</td> <td>380</td> <td>440</td> <td>500</td> <td>560</td> <td>620</td> <td>680</td>	4 ft.	CFM	260	320	380	440	500	560	620	680
				Ps	.055	.083	.117	.157	.203	.255	.312	.376
Pt	.075	.114	.160	.215	.277	.348	.427	.513				
NC	-	18	24	29	33	36	39	41				
Throw	10-15-24	12-18-26	14-20-29	17-22-31	19-23-33	20-25-35	21-26-37	22-27-38				
One Slot — 2.5" Slot Width <td rowspan="2">Horizontal Throw <td rowspan="2">10" Oval Inlet <td rowspan="2">5 ft.</td> <td>CFM</td> <td>325</td> <td>400</td> <td>475</td> <td>550</td> <td>625</td> <td>700</td> <td>775</td> <td>850</td> </td></td>	Horizontal Throw <td rowspan="2">10" Oval Inlet <td rowspan="2">5 ft.</td> <td>CFM</td> <td>325</td> <td>400</td> <td>475</td> <td>550</td> <td>625</td> <td>700</td> <td>775</td> <td>850</td> </td>	10" Oval Inlet <td rowspan="2">5 ft.</td> <td>CFM</td> <td>325</td> <td>400</td> <td>475</td> <td>550</td> <td>625</td> <td>700</td> <td>775</td> <td>850</td>	5 ft.	CFM	325	400	475	550	625	700	775	850
				Ps	.060	.092	.129	.173	.223	.280	.344	.413
Pt	.092	.139	.196	.263	.339	.426	.522	.628				
NC	-	20	25	30	34	37	40	43				
Throw	13-20-27	16-25-29	19-27-32	22-29-34	25-31-37	27-33-39	28-35-41	30-36-43				
One Slot — 2.5" Slot Width <td rowspan="2">Horizontal Throw <td rowspan="2">12" Oval Inlet <td rowspan="2">2 ft.</td> <td>CFM</td> <td>130</td> <td>160</td> <td>190</td> <td>220</td> <td>250</td> <td>280</td> <td>310</td> <td>340</td> </td></td>	Horizontal Throw <td rowspan="2">12" Oval Inlet <td rowspan="2">2 ft.</td> <td>CFM</td> <td>130</td> <td>160</td> <td>190</td> <td>220</td> <td>250</td> <td>280</td> <td>310</td> <td>340</td> </td>	12" Oval Inlet <td rowspan="2">2 ft.</td> <td>CFM</td> <td>130</td> <td>160</td> <td>190</td> <td>220</td> <td>250</td> <td>280</td> <td>310</td> <td>340</td>	2 ft.	CFM	130	160	190	220	250	280	310	340
				Ps	.044	.066	.093	.125	.162	.203	.249	.299
Pt	.047	.071	.100	.134	.173	.217	.266	.320				
NC	-	16	22	27	31	34	37	39				
Throw	7-10-17	9-13-19	10-14-20	12-15-22	13-16-23	14-17-25	15-18-26	16-19-27				
One Slot — 2.5" Slot Width <td rowspan="2">Horizontal Throw <td rowspan="2">12" Oval Inlet <td rowspan="2">4 ft.</td> <td>CFM</td> <td>260</td> <td>320</td> <td>380</td> <td>440</td> <td>500</td> <td>560</td> <td>620</td> <td>680</td> </td></td>	Horizontal Throw <td rowspan="2">12" Oval Inlet <td rowspan="2">4 ft.</td> <td>CFM</td> <td>260</td> <td>320</td> <td>380</td> <td>440</td> <td>500</td> <td>560</td> <td>620</td> <td>680</td> </td>	12" Oval Inlet <td rowspan="2">4 ft.</td> <td>CFM</td> <td>260</td> <td>320</td> <td>380</td> <td>440</td> <td>500</td> <td>560</td> <td>620</td> <td>680</td>	4 ft.	CFM	260	320	380	440	500	560	620	680
				Ps	.049	.074	.104	.139	.180	.225	.276	.332
Pt	.061	.092	.130	.174	.225	.282	.345	.415				
NC	-	18	24	29	33	36	39	41				
Throw	10-15-24	12-18-26	14-20-29	17-22-31	19-23-33	20-25-35	21-26-37	22-27-38				
One Slot — 2.5" Slot Width <td rowspan="2">Horizontal Throw <td rowspan="2">12" Oval Inlet <td rowspan="2">5 ft.</td> <td>CFM</td> <td>325</td> <td>400</td> <td>475</td> <td>550</td> <td>625</td> <td>700</td> <td>775</td> <td>850</td> </td></td>	Horizontal Throw <td rowspan="2">12" Oval Inlet <td rowspan="2">5 ft.</td> <td>CFM</td> <td>325</td> <td>400</td> <td>475</td> <td>550</td> <td>625</td> <td>700</td> <td>775</td> <td>850</td> </td>	12" Oval Inlet <td rowspan="2">5 ft.</td> <td>CFM</td> <td>325</td> <td>400</td> <td>475</td> <td>550</td> <td>625</td> <td>700</td> <td>775</td> <td>850</td>	5 ft.	CFM	325	400	475	550	625	700	775	850
				Ps	.053	.081	.114	.153	.198	.248	.304	.366
Pt	.072	.110	.155	.207	.268	.336	.412	.495				
NC	-	20	25	30	34	37	40	43				
Throw	13-20-27	16-25-29	19-27-32	22-29-34	25-31-37	27-33-39	28-35-41	30-36-43				

FORMATIONS PERFORMANCE DATA
ONE SLOT STANDARD BLADE HORIZONTAL THROW WITH GREENHECK PLENUM

One Slot — 3" Slot Width	Horizontal Throw	10" Oval Inlet	2 ft.	CFM	140	170	200	230	260	290	320	350
				Ps	.053	.078	.108	.143	.183	.227	.276	.331
Pt	.059	.087	.120	.159	.203	.252	.307	.367				
NC	-	16	21	25	29	33	35	38				
Throw	7-10-17	8-13-19	10-15-21	11-16-22	13-17-24	14-18-25	15-19-26	16-19-28				
One Slot — 3" Slot Width <td rowspan="2">Horizontal Throw <td rowspan="2">10" Oval Inlet <td rowspan="2">4 ft.</td> <td>CFM</td> <td>280</td> <td>340</td> <td>400</td> <td>460</td> <td>520</td> <td>580</td> <td>640</td> <td>700</td> </td></td>	Horizontal Throw <td rowspan="2">10" Oval Inlet <td rowspan="2">4 ft.</td> <td>CFM</td> <td>280</td> <td>340</td> <td>400</td> <td>460</td> <td>520</td> <td>580</td> <td>640</td> <td>700</td> </td>	10" Oval Inlet <td rowspan="2">4 ft.</td> <td>CFM</td> <td>280</td> <td>340</td> <td>400</td> <td>460</td> <td>520</td> <td>580</td> <td>640</td> <td>700</td>	4 ft.	CFM	280	340	400	460	520	580	640	700
				Ps	.059	.087	.120	.159	.203	.252	.307	.368
Pt	.082	.121	.168	.222	.283	.352	.429	.513				
NC	-	18	23	27	31	35	37	40				
Throw	10-15-25	12-18-27	14-21-29	16-22-32	18-24-34	20-25-35	21-26-37	22-28-39				
One Slot — 3" Slot Width <td rowspan="2">Horizontal Throw <td rowspan="2">10" Oval Inlet <td rowspan="2">5 ft.</td> <td>CFM</td> <td>350</td> <td>425</td> <td>500</td> <td>575</td> <td>650</td> <td>725</td> <td>800</td> <td>875</td> </td></td>	Horizontal Throw <td rowspan="2">10" Oval Inlet <td rowspan="2">5 ft.</td> <td>CFM</td> <td>350</td> <td>425</td> <td>500</td> <td>575</td> <td>650</td> <td>725</td> <td>800</td> <td>875</td> </td>	10" Oval Inlet <td rowspan="2">5 ft.</td> <td>CFM</td> <td>350</td> <td>425</td> <td>500</td> <td>575</td> <td>650</td> <td>725</td> <td>800</td> <td>875</td>	5 ft.	CFM	350	425	500	575	650	725	800	875
				Ps	.065	.095	.132	.175	.223	.278	.338	.404
Pt	.101	.149	.206	.273	.349	.434	.528	.632				
NC	-	19	24	29	33	36	39	41				
Throw	13-20-28	16-24-30	19-28-33	21-30-35	24-32-37	27-34-40	29-35-42	30-37-44				
One Slot — 3" Slot Width <td rowspan="2">Horizontal Throw <td rowspan="2">12" Oval Inlet <td rowspan="2">2 ft.</td> <td>CFM</td> <td>140</td> <td>170</td> <td>200</td> <td>230</td> <td>260</td> <td>290</td> <td>320</td> <td>350</td> </td></td>	Horizontal Throw <td rowspan="2">12" Oval Inlet <td rowspan="2">2 ft.</td> <td>CFM</td> <td>140</td> <td>170</td> <td>200</td> <td>230</td> <td>260</td> <td>290</td> <td>320</td> <td>350</td> </td>	12" Oval Inlet <td rowspan="2">2 ft.</td> <td>CFM</td> <td>140</td> <td>170</td> <td>200</td> <td>230</td> <td>260</td> <td>290</td> <td>320</td> <td>350</td>	2 ft.	CFM	140	170	200	230	260	290	320	350
				Ps	.051	.075	.104	.137	.175	.218	.265	.317
Pt	.054	.080	.111	.146	.187	.233	.283	.339				
NC	-	16	21	25	29	33	35	38				
Throw	7-10-17	8-13-19	10-15-21	11-16-22	13-17-24	14-18-25	15-19-26	16-19-28				
One Slot — 3" Slot Width <td rowspan="2">Horizontal Throw <td rowspan="2">12" Oval Inlet <td rowspan="2">4 ft.</td> <td>CFM</td> <td>280</td> <td>340</td> <td>400</td> <td>460</td> <td>520</td> <td>580</td> <td>640</td> <td>700</td> </td></td>	Horizontal Throw <td rowspan="2">12" Oval Inlet <td rowspan="2">4 ft.</td> <td>CFM</td> <td>280</td> <td>340</td> <td>400</td> <td>460</td> <td>520</td> <td>580</td> <td>640</td> <td>700</td> </td>	12" Oval Inlet <td rowspan="2">4 ft.</td> <td>CFM</td> <td>280</td> <td>340</td> <td>400</td> <td>460</td> <td>520</td> <td>580</td> <td>640</td> <td>700</td>	4 ft.	CFM	280	340	400	460	520	580	640	700
				Ps	.056	.083	.115	.152	.194	.242	.294	.352
Pt	.070	.104	.144	.190	.243	.302	.368	.440				
NC	-	18	23	27	31	35	37	40				
Throw	10-15-25	12-18-27	14-21-29	16-22-32	18-24-34	20-25-35	21-26-37	22-28-39				
One Slot — 3" Slot Width <td rowspan="2">Horizontal Throw <td rowspan="2">12" Oval Inlet <td rowspan="2">5 ft.</td> <td>CFM</td> <td>350</td> <td>425</td> <td>500</td> <td>575</td> <td>650</td> <td>725</td> <td>800</td> <td>875</td> </td></td>	Horizontal Throw <td rowspan="2">12" Oval Inlet <td rowspan="2">5 ft.</td> <td>CFM</td> <td>350</td> <td>425</td> <td>500</td> <td>575</td> <td>650</td> <td>725</td> <td>800</td> <td>875</td> </td>	12" Oval Inlet <td rowspan="2">5 ft.</td> <td>CFM</td> <td>350</td> <td>425</td> <td>500</td> <td>575</td> <td>650</td> <td>725</td> <td>800</td> <td>875</td>	5 ft.	CFM	350	425	500	575	650	725	800	875
				Ps	.062	.091	.127	.167	.214	.266	.324	.387
Pt	.084	.124	.171	.227	.290	.360	.439	.525				
NC	-	19	24	29	33	36	39	41				
Throw	13-20-28	16-24-30	19-28-33	21-30-35	24-32-37	27-34-40	29-35-42	30-37-44				

FORMATIONS PERFORMANCE DATA
TWO SLOT STANDARD BLADE HORIZONTAL THROW WITH GREENHECK PLENUM

Two Slot — 1" Slot Width	Horizontal Throw	8" Oval Inlet	2 ft.	CFM	115	145	175	205	235	260	290	320
						Ps	.046	.072	.103	.140	.183	.232
			Pt	.054	.084	.121	.165	.215	.271	.335	.405	
			NC	-	16	22	27	31	35	38	40	
			Throw	7-11-16	9-13-18	11-14-19	12-15-21	13-16-22	14-17-24	14-18-25	15-19-26	
		8" Oval Inlet	4 ft.	CFM	235	290	350	410	465	525	580	640
				Ps	.051	.080	.115	.156	.204	.257	.318	.384
				Pt	.083	.129	.186	.254	.329	.418	.513	.622
				NC	-	18	24	29	33	37	40	42
				Throw	10-15-22	12-18-25	15-19-28	17-21-30	18-22-32	19-24-34	20-25-35	21-26-37
		8" Oval Inlet	5 ft.	CFM	295	365	440	510	585	655	730	800
				Ps	.056	.088	.126	.172	.224	.283	.349	.422
				Pt	.107	.165	.239	.323	.423	.533	.660	.795
				NC	-	20	26	31	35	38	41	43
				Throw	13-20-25	17-24-28	20-26-31	23-28-33	25-30-35	26-32-38	27-34-40	29-35-42
Two Slot — 1" Slot Width	Horizontal Throw	10" Oval Inlet	2 ft.	CFM	115	145	175	205	235	260	290	320
				Ps	.037	.058	.083	.112	.147	.185	.229	.276
				Pt	.041	.064	.092	.125	.163	.205	.254	.307
				NC	-	16	22	27	31	35	38	40
			Throw	7-11-16	9-13-18	11-14-19	12-15-21	13-16-22	14-17-24	14-18-25	15-19-26	
			4 ft.	CFM	235	290	350	410	465	525	580	640
				Ps	.041	.064	.092	.125	.163	.206	.254	.307
				Pt	.057	.089	.128	.175	.227	.288	.354	.429
				NC	-	18	24	29	33	37	40	42
			Throw	10-15-22	12-18-25	15-19-28	17-21-30	18-22-32	19-24-34	20-25-35	21-26-37	
			5 ft.	CFM	295	365	440	510	585	655	730	800
				Ps	.045	.070	.101	.137	.179	.227	.279	.338
				Pt	.071	.110	.159	.215	.281	.354	.438	.528
				NC	-	20	26	31	35	38	41	43
			Throw	13-20-25	17-24-28	20-26-31	23-28-33	25-30-35	26-32-38	27-34-40	29-35-42	

FORMATIONS PERFORMANCE DATA
TWO SLOT STANDARD BLADE HORIZONTAL THROW WITH GREENHECK PLENUM

Two Slot — 1.5" Slot Width	Horizontal Throw	8" Oval Inlet	2 ft.	CFM	125	160	190	220	255	285	320	350				
				Ps	.045	.071	.102	.140	.183	.232	.287	.347				
				Pt	.054	.086	.123	.168	.221	.279	.346	.419				
				NC	-	17	23	28	32	36	39	41				
				Throw	6-9-17	8-12-18	9-14-20	11-15-22	12-17-23	14-18-25	15-19-26	16-19-28				
		12" Oval Inlet	4 ft.	CFM	250	315	380	445	510	570	635	700				
						Ps	.050	.079	.114	.155	.203	.258	.319	.386		
						Pt	.086	.136	.198	.271	.355	.447	.553	.671		
						NC	-	19	25	30	34	38	41	43		
					Throw	9-13-23	11-16-26	13-20-29	15-22-31	18-23-33	20-25-35	21-26-37	22-28-39			
				5 ft.	CFM	315	395	475	555	635	715	795	875			
						Ps	.055	.087	.125	.171	.224	.283	.350	.424		
						Pt	.113	.177	.256	.350	.458	.581	.718	.870		
						NC	-	21	27	32	36	39	42	45		
					Throw	12-18-26	15-22-29	18-27-32	21-29-35	24-31-37	27-33-39	29-35-41	30-37-44			
Two Slot — 1.5" Slot Width	Horizontal Throw		12" Oval Inlet	2 ft.	CFM	125	160	180	220	255	285	320	350			
					Ps	.031	.049	.071	.098	.128	.162	.200	.243			
					Pt	.034	.054	.078	.106	.139	.177	.219	.265			
					NC	-	17	22	28	32	35	38	41			
				Throw	6-9-17	8-12-18	9-14-20	11-15-22	12-17-23	14-18-25	15-19-26	16-19-28				
							4 ft.	CFM	250	315	380	445	510	570	635	700
								Ps	.035	.055	.079	.108	.142	.180	.222	.270
								Pt	.046	.073	.105	.144	.189	.238	.295	.358
								NC	-	19	24	30	34	37	40	43
							Throw	9-13-23	11-16-26	13-20-29	15-22-31	18-23-33	20-25-35	21-26-37	22-29-39	
						5 ft.	CFM	315	395	475	555	635	715	795	875	
								Ps	.038	.060	.087	.119	.156	.198	.245	.296
								Pt	.056	.088	.128	.175	.229	.290	.358	.434
								NC	-	20	26	31	35	39	42	44
							Throw	12-18-26	15-22-29	18-27-32	21-29-35	24-31-37	27-33-39	29-35-41	30-37-44	

FORMATIONS PERFORMANCE DATA
TWO SLOT STANDARD BLADE HORIZONTAL THROW WITH GREENHECK PLENUM

Two Slot — 2" Slot Width	Horizontal Throw	8" Oval Inlet	2 ft.	CFM	155	190	225	260	295	330	365	400	
				Ps	.065	.097	.137	.183	.235	.294	.360	.432	
			Pt	.079	.118	.166	.222	.286	.357	.437	.525		
			NC	-	16	21	26	30	33	36	38		
			Throw	9-13-18	11-14-20	13-16-22	14-17-24	15-18-25	15-19-27	16-20-28	17-21-29		
		8" Oval Inlet	4 ft.	CFM	310	380	450	520	590	560	730	800	
				Ps	.072	.108	.152	.203	.261	.327	.400	.480	
				Pt	.128	.192	.270	.360	.464	.580	.710	.853	
				NC	-	18	23	28	32	35	38	40	
				Throw	9-14-26	11-17-29	14-20-31	16-23-34	18-25-36	20-27-38	22-28-40	24-29-42	
		8" Oval Inlet	5 ft.	CFM	390	475	565	650	740	825	915	1000	
				Ps	.079	.119	.167	.223	.287	.359	.440	.528	
				Pt	.168	.250	.353	.469	.606	.756	.927	1.110	
				NC	-	19	24	29	33	36	39	42	
				Throw	12-19-29	15-23-32	18-27-35	21-31-37	24-34-40	27-36-42	29-38-44	32-39-47	
Two Slot — 2" Slot Width	Horizontal Throw	12" Oval Inlet	2 ft.	CFM	155	190	225	260	295	330	365	400	
				Ps	.032	.048	.067	.089	.115	.143	.175	.211	
				Pt	.036	.054	.076	.101	.130	.163	.199	.239	
				NC	-	16	21	26	30	33	36	38	
			Throw	6-10-18	8-12-20	10-14-22	11-17-24	13-18-25	14-19-27	16-20-28	17-21-29		
			4 ft.	CFM	310	380	450	520	590	660	730	800	
				Ps	.035	.053	.074	.099	.127	.159	.195	.234	
				Pt	.052	.079	.110	.147	.190	.238	.291	.349	
				NC	-	18	23	28	32	35	38	40	
			Throw	9-14-26	11-17-29	14-20-31	16-23-34	18-25-36	20-27-38	22-28-40	24-29-42		
			5 ft.	CFM	390	475	565	650	740	825	915	1000	
				Ps	.039	.058	.081	.109	.140	.175	.214	.257	
				Pt	.066	.099	.139	.185	.238	.297	.365	.437	
				NC	-	19	24	29	33	36	39	42	
			Throw	12-19-29	15-23-32	18-27-35	21-31-37	24-34-40	27-36-42	29-38-44	32-39-47		

FORMATIONS PERFORMANCE DATA
TWO SLOT STANDARD BLADE HORIZONTAL THROW WITH GREENHECK PLENUM

Two Slot — 2.5" Slot Width	Horizontal Throw	10" Oval Inlet	2 ft.	CFM	210	255	300	345	390	430	475	520
				Ps	.061	.088	.122	.160	.203	.252	.306	.365
Pt	.074	.108	.148	.195	.248	.307	.373	.445				
NC	-	18	23	27	31	34	37	39				
Throw	8-12-21	10-15-24	11-17-25	13-19-27	15-20-29	16-22-31	18-23-32	19-24-34				
Two Slot — 2.5" Slot Width <td rowspan="2">Horizontal Throw <td rowspan="2">12" Oval Inlet <td rowspan="2">2 ft.</td> <td>CFM</td> <td>210</td> <td>255</td> <td>300</td> <td>345</td> <td>390</td> <td>430</td> <td>475</td> <td>520</td> </td></td>	Horizontal Throw <td rowspan="2">12" Oval Inlet <td rowspan="2">2 ft.</td> <td>CFM</td> <td>210</td> <td>255</td> <td>300</td> <td>345</td> <td>390</td> <td>430</td> <td>475</td> <td>520</td> </td>	12" Oval Inlet <td rowspan="2">2 ft.</td> <td>CFM</td> <td>210</td> <td>255</td> <td>300</td> <td>345</td> <td>390</td> <td>430</td> <td>475</td> <td>520</td>	2 ft.	CFM	210	255	300	345	390	430	475	520
				Ps	.038	.055	.076	.100	.127	.157	.191	.228
Pt	.046	.067	.092	.121	.154	.191	.232	.277				
NC	-	17	22	26	30	34	36	39				
Throw	8-12-21	10-15-24	11-17-25	13-19-27	15-20-29	16-22-31	18-23-32	19-24-34				
Two Slot — 2.5" Slot Width <td rowspan="2">Horizontal Throw <td rowspan="2">10" Oval Inlet <td rowspan="2">4 ft.</td> <td>CFM</td> <td>425</td> <td>510</td> <td>600</td> <td>690</td> <td>775</td> <td>865</td> <td>950</td> <td>1040</td> </td></td>	Horizontal Throw <td rowspan="2">10" Oval Inlet <td rowspan="2">4 ft.</td> <td>CFM</td> <td>425</td> <td>510</td> <td>600</td> <td>690</td> <td>775</td> <td>865</td> <td>950</td> <td>1040</td> </td>	10" Oval Inlet <td rowspan="2">4 ft.</td> <td>CFM</td> <td>425</td> <td>510</td> <td>600</td> <td>690</td> <td>775</td> <td>865</td> <td>950</td> <td>1040</td>	4 ft.	CFM	425	510	600	690	775	865	950	1040
				Ps	.067	.098	.135	.178	.226	.280	.340	.406
Pt	.121	.176	.242	.319	.404	.502	.608	.727				
NC	-	20	25	29	33	36	39	41				
Throw	11-17-30	14-21-33	16-24-36	19-27-39	21-29-41	23-31-43	26-32-45	27-34-47				
Two Slot — 2.5" Slot Width <td rowspan="2">Horizontal Throw <td rowspan="2">12" Oval Inlet <td rowspan="2">4 ft.</td> <td>CFM</td> <td>425</td> <td>510</td> <td>600</td> <td>690</td> <td>775</td> <td>865</td> <td>950</td> <td>1040</td> </td></td>	Horizontal Throw <td rowspan="2">12" Oval Inlet <td rowspan="2">4 ft.</td> <td>CFM</td> <td>425</td> <td>510</td> <td>600</td> <td>690</td> <td>775</td> <td>865</td> <td>950</td> <td>1040</td> </td>	12" Oval Inlet <td rowspan="2">4 ft.</td> <td>CFM</td> <td>425</td> <td>510</td> <td>600</td> <td>690</td> <td>775</td> <td>865</td> <td>950</td> <td>1040</td>	4 ft.	CFM	425	510	600	690	775	865	950	1040
				Ps	.042	.061	.084	.111	.141	.175	.212	.254
Pt	.075	.108	.149	.196	.249	.309	.375	.448				
NC	-	19	24	28	32	36	38	41				
Throw	11-17-30	14-21-33	16-24-36	19-27-39	21-29-41	23-31-43	26-32-45	27-34-47				
Two Slot — 2.5" Slot Width <td rowspan="2">Horizontal Throw <td rowspan="2">10" Oval Inlet <td rowspan="2">5 ft.</td> <td>CFM</td> <td>530</td> <td>640</td> <td>750</td> <td>860</td> <td>970</td> <td>1080</td> <td>1190</td> <td>1300</td> </td></td>	Horizontal Throw <td rowspan="2">10" Oval Inlet <td rowspan="2">5 ft.</td> <td>CFM</td> <td>530</td> <td>640</td> <td>750</td> <td>860</td> <td>970</td> <td>1080</td> <td>1190</td> <td>1300</td> </td>	10" Oval Inlet <td rowspan="2">5 ft.</td> <td>CFM</td> <td>530</td> <td>640</td> <td>750</td> <td>860</td> <td>970</td> <td>1080</td> <td>1190</td> <td>1300</td>	5 ft.	CFM	530	640	750	860	970	1080	1190	1300
				Ps	.084	.123	.169	.222	.282	.350	.425	.507
Pt	.168	.245	.336	.442	.562	.696	.845	1.009				
NC	16	21	26	31	35	38	41	43				
Throw	15-23-34	18-28-37	22-32-40	25-37-43	28-39-46	31-41-48	34-43-51	37-45-53				
Two Slot — 2.5" Slot Width <td rowspan="2">Horizontal Throw <td rowspan="2">12" Oval Inlet <td rowspan="2">5 ft.</td> <td>CFM</td> <td>530</td> <td>640</td> <td>750</td> <td>860</td> <td>970</td> <td>1080</td> <td>1190</td> <td>1300</td> </td></td>	Horizontal Throw <td rowspan="2">12" Oval Inlet <td rowspan="2">5 ft.</td> <td>CFM</td> <td>530</td> <td>640</td> <td>750</td> <td>860</td> <td>970</td> <td>1080</td> <td>1190</td> <td>1300</td> </td>	12" Oval Inlet <td rowspan="2">5 ft.</td> <td>CFM</td> <td>530</td> <td>640</td> <td>750</td> <td>860</td> <td>970</td> <td>1080</td> <td>1190</td> <td>1300</td>	5 ft.	CFM	530	640	750	860	970	1080	1190	1300
				Ps	.046	.068	.093	.122	.155	.192	.234	.279
Pt	.097	.141	.194	.255	.324	.402	.488	.583				
NC	-	20	26	30	34	37	40	42				
Throw	15-23-34	18-28-37	22-32-40	25-37-43	28-39-46	31-41-48	34-43-51	37-45-53				

FORMATIONS PERFORMANCE DATA
TWO SLOT STANDARD BLADE HORIZONTAL THROW WITH GREENHECK PLENUM

Two Slot — 3" Slot Width	Horizontal Throw	10" Oval Inlet	2 ft.	CFM	195	240	280	320	365	405	450	490
				Ps	.027	.039	.054	.072	.092	.114	.139	.166
Pt	.038	.056	.078	.102	.131	.163	.199	.238				
NC	-	16	21	25	29	33	35	38				
Throw	6-10-20	8-12-23	10-15-25	11-17-26	13-19-28	14-21-30	16-22-31	17-23-33				
Two Slot — 3" Slot Width	Horizontal Throw	10" Oval Inlet	4 ft.	CFM	390	475	560	645	730	810	895	980
				Ps	.030	.044	.060	.080	.102	.127	.155	.185
Two Slot — 3" Slot Width	Horizontal Throw	10" Oval Inlet	5 ft.	Pt	.075	.111	.154	.203	.260	.322	.392	.470
				NC	-	18	23	27	31	35	37	40
Two Slot — 3" Slot Width	Horizontal Throw	10" Oval Inlet	Throw	8-14-29	12-18-32	14-21-35	16-24-37	18-27-40	20-30-42	22-31-44	24-33-46	
				CFM	490	595	700	805	910	1015	1120	1225
Two Slot — 3" Slot Width	Horizontal Throw	12" Oval Inlet	2 ft.	Ps	.041	.061	.085	.112	.143	.178	.216	.259
				Pt	.113	.166	.230	.304	.389	.484	.589	.705
Two Slot — 3" Slot Width	Horizontal Throw	12" Oval Inlet	5 ft.	NC	-	19	24	29	33	36	39	41
				Throw	11-19-32	15-24-36	18-28-39	21-32-42	24-36-44	27-40-47	30-42-49	32-44-51
Two Slot — 3" Slot Width	Horizontal Throw	12" Oval Inlet	2 ft.	CFM	195	240	280	320	365	405	450	490
				Ps	.022	.032	.044	.058	.075	.093	.113	.135
Two Slot — 3" Slot Width	Horizontal Throw	12" Oval Inlet	4 ft.	Pt	.028	.042	.058	.077	.098	.122	.149	.178
				NC	-	-	20	24	28	32	35	37
Two Slot — 3" Slot Width	Horizontal Throw	12" Oval Inlet	5 ft.	Throw	6-10-20	8-12-23	10-15-25	11-17-26	13-19-28	14-21-30	16-22-31	17-23-33
				CFM	390	475	560	645	730	810	895	980
Two Slot — 3" Slot Width	Horizontal Throw	12" Oval Inlet	4 ft.	Ps	.024	.035	.049	.065	.083	.103	.125	.150
				Pt	.051	.076	.105	.140	.179	.221	.269	.323
Two Slot — 3" Slot Width	Horizontal Throw	12" Oval Inlet	5 ft.	NC	-	17	22	26	30	34	37	39
				Throw	8-14-29	12-18-32	14-21-35	16-24-37	18-27-40	20-30-42	22-31-44	24-33-46
Two Slot — 3" Slot Width	Horizontal Throw	12" Oval Inlet	2 ft.	CFM	490	595	700	805	910	1015	1120	1225
				Ps	.026	.039	.054	.071	.091	.113	.138	.165
Two Slot — 3" Slot Width	Horizontal Throw	12" Oval Inlet	4 ft.	Pt	.070	.103	.142	.188	.240	.298	.363	.435
				NC	-	18	23	28	32	35	38	41
Two Slot — 3" Slot Width	Horizontal Throw	12" Oval Inlet	5 ft.	Throw	11-19-32	15-24-36	18-28-39	21-32-42	24-36-44	27-40-47	30-42-49	32-44-51

FORMATIONS PERFORMANCE DATA
PRESSURIZED CEILING PLENUM WITH STANDARD BLADE PATTERN CONTROLLER

1" Slot Width	1 Slot	CFM/LF	25	40	65	80	95	110	125	140
		Ps	.026	.066	.174	.264	.372	.499	.644	.808
		NC	-	16	31	37	42	45	48	51
		Throw	6-9-15	10-13-19	14-17-24	15-19-26	17-20-29	18-22-31	19-23-33	20-25-35
	2 Slot	CFM/LF	40	60	100	120	145	165	190	210
		Ps	.017	.038	.105	.151	.221	.286	.379	.463
		NC	-	-	26	32	38	41	45	47
		Throw	7-10-19	10-15-23	17-21-29	19-23-32	20-25-35	22-27-38	23-29-41	25-30-43
1.5" Slot Width	1 Slot	CFM/LF	30	50	80	95	115	130	150	170
		Ps	.026	.072	.184	.259	.380	.486	.647	.831
		NC	-	16	31	36	41	44	48	50
		Throw	6-9-16	10-15-21	15-19-26	17-20-29	18-22-32	19-24-34	21-25-36	22-27-38
	2 Slot	CFM/LF	45	75	120	145	175	195	225	255
		Ps	.017	.048	.123	.179	.261	.324	.431	.553
		NC	-	-	25	31	37	40	44	47
		Throw	5-9-19	11-16-25	17-23-32	20-25-35	22-28-39	24-29-41	25-31-44	27-33-47
2" Slot Width	1 Slot	CFM/LF	35	55	90	110	135	155	175	195
		Ps	.025	.062	.166	.248	.374	.493	.628	.780
		NC	-	-	27	33	39	42	45	48
		Throw	5-9-17	9-14-22	15-20-28	18-22-31	20-24-34	21-26-37	22-28-39	24-29-41
	2 Slot	CFM/LF	55	85	135	165	205	235	265	295
		Ps	.016	.039	.099	.148	.229	.301	.383	.474
		NC	-	-	20	27	34	38	41	44
		Throw	5-10-20	10-15-27	16-24-34	20-27-38	24-30-42	26-32-45	28-34-48	29-36-51
2.5" Slot Width	1 Slot	CFM/LF	40	60	100	120	145	165	190	210
		Ps	.020	.045	.126	.181	.265	.343	.455	.556
		NC	-	-	23	29	35	38	42	44
		Throw	5-9-18	9-14-23	15-21-29	18-23-39	20-25-35	22-27-38	23-29-41	25-30-43
	2 Slot	CFM/LF	60	90	150	180	220	250	285	315
		Ps	.012	.026	.073	.105	.156	.202	.262	.320
		NC	-	-	17	22	29	33	37	40
		Throw	4-9-20	9-15-28	16-24-36	20-28-39	24-31-44	27-33-47	29-35-50	30-37-52
3" Slot Width	1 Slot	CFM/LF	45	70	115	145	170	200	225	250
		Ps	.021	.051	.138	.219	.301	.416	.527	.650
		NC	-	-	21	29	34	38	42	44
		Throw	5-9-19	10-15-25	16-22-32	20-25-35	22-27-38	24-29-42	25-31-44	27-33-47
	2 Slot	CFM/LF	70	105	175	220	255	300	340	420
		Ps	.011	.025	.070	.111	.150	.207	.266	.406
		NC	-	-	16	23	28	33	37	43
		Throw	4-9-21	9-16-30	17-26-39	22-31-44	25-33-47	29-36-51	31-38-54	35-43-60

FORMATIONS PERFORMANCE DATA
ONE SLOT COMBO BLADE HORIZONTAL THROW WITH GREENHECK PLENUM

One Slot — 1" Slot Width	Horizontal Throw	6" Round Inlet	2 ft.	CFM	20	40	60	80	100	120	140	160
				Ps	.004	.018	.040	.071	.111	.159	.217	.283
Pt	.005	.020	.046	.081	.127	.182	.248	.324				
NC	-	-	20	26	31	35	38	41				
Throw	1-3-7	4-7-11	7-10-14	9-11-16	10-13-18	11-14-19	12-15-21	13-16-22				
One Slot — 1" Slot Width <td rowspan="2">Horizontal Throw <td rowspan="2">6" Round Inlet <td rowspan="2">4 ft.</td> <td>CFM</td> <td>40</td> <td>80</td> <td>120</td> <td>160</td> <td>200</td> <td>240</td> <td>280</td> <td>320</td> </td></td>	Horizontal Throw <td rowspan="2">6" Round Inlet <td rowspan="2">4 ft.</td> <td>CFM</td> <td>40</td> <td>80</td> <td>120</td> <td>160</td> <td>200</td> <td>240</td> <td>280</td> <td>320</td> </td>	6" Round Inlet <td rowspan="2">4 ft.</td> <td>CFM</td> <td>40</td> <td>80</td> <td>120</td> <td>160</td> <td>200</td> <td>240</td> <td>280</td> <td>320</td>	4 ft.	CFM	40	80	120	160	200	240	280	320
				Ps	.005	.020	.044	.079	.123	.177	.241	.314
Pt	.008	.030	.068	.120	.188	.270	.368	.480				
NC	-	-	22	28	33	37	40	43				
Throw	2-4-9	6-9-16	9-14-19	13-16-22	14-18-25	16-19-27	17-21-30	18-22-32				
One Slot — 1" Slot Width <td rowspan="2">Horizontal Throw <td rowspan="2">6" Round Inlet <td rowspan="2">5 ft.</td> <td>CFM</td> <td>50</td> <td>100</td> <td>150</td> <td>200</td> <td>250</td> <td>300</td> <td>350</td> <td>400</td> </td></td>	Horizontal Throw <td rowspan="2">6" Round Inlet <td rowspan="2">5 ft.</td> <td>CFM</td> <td>50</td> <td>100</td> <td>150</td> <td>200</td> <td>250</td> <td>300</td> <td>350</td> <td>400</td> </td>	6" Round Inlet <td rowspan="2">5 ft.</td> <td>CFM</td> <td>50</td> <td>100</td> <td>150</td> <td>200</td> <td>250</td> <td>300</td> <td>350</td> <td>400</td>	5 ft.	CFM	50	100	150	200	250	300	350	400
				Ps	.005	.022	.049	.086	.135	.195	.265	.346
Pt	.009	.038	.085	.151	.236	.340	.463	.605				
NC	-	16	23	29	34	38	42	45				
Throw	2-5-11	8-13-18	13-18-22	17-21-25	19-24-28	21-26-31	23-28-33	24-30-35				
One Slot — 1" Slot Width <td rowspan="2">Horizontal Throw <td rowspan="2">8" Oval Inlet <td rowspan="2">2 ft.</td> <td>CFM</td> <td>20</td> <td>40</td> <td>60</td> <td>80</td> <td>100</td> <td>120</td> <td>140</td> <td>160</td> </td></td>	Horizontal Throw <td rowspan="2">8" Oval Inlet <td rowspan="2">2 ft.</td> <td>CFM</td> <td>20</td> <td>40</td> <td>60</td> <td>80</td> <td>100</td> <td>120</td> <td>140</td> <td>160</td> </td>	8" Oval Inlet <td rowspan="2">2 ft.</td> <td>CFM</td> <td>20</td> <td>40</td> <td>60</td> <td>80</td> <td>100</td> <td>120</td> <td>140</td> <td>160</td>	2 ft.	CFM	20	40	60	80	100	120	140	160
				Ps	.003	.011	.025	.045	.070	.101	.137	.179
Pt	.003	.012	.027	.049	.076	.109	.149	.194				
NC	-	-	-	21	26	31	35	39				
Throw	1-3-7	4-7-11	7-10-14	9-11-16	10-13-18	11-14-19	12-15-21	13-16-22				
One Slot — 1" Slot Width <td rowspan="2">Horizontal Throw <td rowspan="2">8" Oval Inlet <td rowspan="2">4 ft.</td> <td>CFM</td> <td>40</td> <td>80</td> <td>120</td> <td>160</td> <td>200</td> <td>240</td> <td>280</td> <td>320</td> </td></td>	Horizontal Throw <td rowspan="2">8" Oval Inlet <td rowspan="2">4 ft.</td> <td>CFM</td> <td>40</td> <td>80</td> <td>120</td> <td>160</td> <td>200</td> <td>240</td> <td>280</td> <td>320</td> </td>	8" Oval Inlet <td rowspan="2">4 ft.</td> <td>CFM</td> <td>40</td> <td>80</td> <td>120</td> <td>160</td> <td>200</td> <td>240</td> <td>280</td> <td>320</td>	4 ft.	CFM	40	80	120	160	200	240	280	320
				Ps	.003	.012	.028	.050	.078	.112	.152	.199
Pt	.004	.016	.036	.065	.101	.146	.198	.259				
NC	-	-	17	23	28	33	37	41				
Throw	2-4-9	6-9-16	9-14-19	13-16-22	14-18-25	16-19-27	17-21-30	18-22-32				
One Slot — 1" Slot Width <td rowspan="2">Horizontal Throw <td rowspan="2">8" Oval Inlet <td rowspan="2">5 ft.</td> <td>CFM</td> <td>50</td> <td>100</td> <td>150</td> <td>200</td> <td>250</td> <td>300</td> <td>350</td> <td>400</td> </td></td>	Horizontal Throw <td rowspan="2">8" Oval Inlet <td rowspan="2">5 ft.</td> <td>CFM</td> <td>50</td> <td>100</td> <td>150</td> <td>200</td> <td>250</td> <td>300</td> <td>350</td> <td>400</td> </td>	8" Oval Inlet <td rowspan="2">5 ft.</td> <td>CFM</td> <td>50</td> <td>100</td> <td>150</td> <td>200</td> <td>250</td> <td>300</td> <td>350</td> <td>400</td>	5 ft.	CFM	50	100	150	200	250	300	350	400
				Ps	.003	.014	.031	.055	.086	.123	.168	.219
Pt	.005	.020	.044	.078	.122	.176	.239	.312				
NC	-	-	18	24	30	35	39	42				
Throw	2-5-11	8-13-18	13-18-22	17-21-25	19-24-28	21-26-31	23-28-33	24-30-35				

FORMATIONS PERFORMANCE DATA
ONE SLOT COMBO BLADE HORIZONTAL THROW WITH GREENHECK PLENUM

One Slot — 1.5" Slot Width	Horizontal Throw	6" Round Inlet	2 ft.	CFM	30	60	90	120	150	180	210	240	
				Ps	.009	.035	.078	.139	.217	.313	.426	.557	
				Pt	.010	.041	.091	.162	.254	.366	.498	.650	
				NC	-	-	21	27	32	36	39	42	
				Throw	2-3-8	5-8-14	8-12-17	11-14-19	13-15-22	14-17-24	15-18-26	16-19-27	
			4 ft.	CFM	60	120	180	240	300	360	420	480	
					Ps	.010	.039	.087	.155	.242	.348	.474	.619
					Pt	.015	.062	.139	.248	.387	.558	.759	.991
					NC	-	16	23	29	34	38	41	44
					Throw	2-5-12	8-12-19	12-17-24	15-19-27	18-22-31	19-24-34	21-26-36	22-27-39
			5 ft.	CFM	75	150	225	300	375	450	525	600	
					Ps	.011	.043	.096	.170	.266	.383	.521	.680
					Pt	.020	.079	.178	.316	.493	.710	.967	1.263
					NC	-	17	25	30	35	39	43	46
					Throw	3-7-13	10-16-22	16-23-27	21-26-31	24-29-34	26-32-38	28-34-41	30-37-43
One Slot — 1.5" Slot Width	Horizontal Throw	8" Oval Inlet	2 ft.	CFM	30	60	90	120	150	180	210	240	
				Ps	.006	.022	.050	.088	.138	.198	.270	.353	
				Pt	.006	.024	.054	.097	.151	.217	.296	.386	
				NC	-	-	16	22	28	32	37	40	
				Throw	2-3-8	5-8-14	8-12-17	11-14-19	13-15-22	14-17-24	15-18-26	16-19-27	
			4 ft.	CFM	60	120	180	240	300	360	420	480	
				Ps	.006	.024	.055	.098	.153	.220	.300	.392	
				Pt	.008	.033	.074	.131	.205	.296	.403	.526	
				NC	-	-	18	24	30	34	39	42	
				Throw	2-5-12	8-12-19	12-17-24	15-19-27	18-22-31	19-24-34	21-26-36	22-27-39	
			5 ft.	CFM	75	150	225	300	375	450	525	600	
				Ps	.007	.027	.061	.108	.168	.242	.330	.431	
				Pt	.010	.040	.090	.160	.250	.360	.490	.640	
				NC	-	-	19	26	31	36	40	44	
				Throw	3-7-13	10-16-22	16-23-27	21-26-31	24-29-34	26-32-38	28-34-41	30-37-43	

FORMATIONS PERFORMANCE DATA
ONE SLOT COMBO BLADE HORIZONTAL THROW WITH GREENHECK PLENUM

One Slot — 2" Slot Width	Horizontal Throw	10" Oval Inlet	2 ft.	CFM	70	100	130	160	190	220	250	280
				Ps	.022	.044	.075	.113	.159	.213	.276	.346
Pt	.023	.047	.080	.121	.170	.228	.294	.369				
NC	-	-	20	25	30	33	37	40				
Throw	5-8-15	8-12-18	10-14-20	13-16-22	14-17-24	15-19-26	16-20-28	17-21-30				
One Slot — 2" Slot Width <td rowspan="2">Horizontal Throw <td rowspan="2">10" Oval Inlet <td rowspan="2">4 ft.</td> <td>CFM</td> <td>140</td> <td>200</td> <td>260</td> <td>320</td> <td>380</td> <td>440</td> <td>500</td> <td>560</td> </td></td>	Horizontal Throw <td rowspan="2">10" Oval Inlet <td rowspan="2">4 ft.</td> <td>CFM</td> <td>140</td> <td>200</td> <td>260</td> <td>320</td> <td>380</td> <td>440</td> <td>500</td> <td>560</td> </td>	10" Oval Inlet <td rowspan="2">4 ft.</td> <td>CFM</td> <td>140</td> <td>200</td> <td>260</td> <td>320</td> <td>380</td> <td>440</td> <td>500</td> <td>560</td>	4 ft.	CFM	140	200	260	320	380	440	500	560
				Ps	.024	.049	.083	.125	.177	.237	.306	.384
Pt	.030	.061	.103	.156	.220	.295	.381	.477				
NC	-	17	22	27	3	35	39	42				
Throw	8-12-21	11-17-25	14-20-29	18-22-32	20-24-34	21-26-37	23-28-40	24-30-42				
One Slot — 2" Slot Width <td rowspan="2">Horizontal Throw <td rowspan="2">10" Oval Inlet <td rowspan="2">5 ft.</td> <td>CFM</td> <td>175</td> <td>250</td> <td>325</td> <td>400</td> <td>475</td> <td>550</td> <td>625</td> <td>700</td> </td></td>	Horizontal Throw <td rowspan="2">10" Oval Inlet <td rowspan="2">5 ft.</td> <td>CFM</td> <td>175</td> <td>250</td> <td>325</td> <td>400</td> <td>475</td> <td>550</td> <td>625</td> <td>700</td> </td>	10" Oval Inlet <td rowspan="2">5 ft.</td> <td>CFM</td> <td>175</td> <td>250</td> <td>325</td> <td>400</td> <td>475</td> <td>550</td> <td>625</td> <td>700</td>	5 ft.	CFM	175	250	325	400	475	550	625	700
				Ps	.026	.054	.091	.138	.195	.261	.337	.423
Pt	.036	.072	.122	.186	.262	.351	.453	.568				
NC	-	18	24	29	33	37	40	43				
Throw	10-16-23	15-22-28	19-27-32	24-30-35	27-33-39	29-35-41	31-38-44	32-40-47				
One Slot — 2" Slot Width <td rowspan="2">Horizontal Throw <td rowspan="2">12" Oval Inlet <td rowspan="2">2 ft.</td> <td>CFM</td> <td>70</td> <td>100</td> <td>130</td> <td>160</td> <td>190</td> <td>220</td> <td>250</td> <td>280</td> </td></td>	Horizontal Throw <td rowspan="2">12" Oval Inlet <td rowspan="2">2 ft.</td> <td>CFM</td> <td>70</td> <td>100</td> <td>130</td> <td>160</td> <td>190</td> <td>220</td> <td>250</td> <td>280</td> </td>	12" Oval Inlet <td rowspan="2">2 ft.</td> <td>CFM</td> <td>70</td> <td>100</td> <td>130</td> <td>160</td> <td>190</td> <td>220</td> <td>250</td> <td>280</td>	2 ft.	CFM	70	100	130	160	190	220	250	280
				Ps	.020	.041	.069	.104	.147	.197	.255	.320
Pt	.021	.043	.072	.109	.154	.206	.266	.334				
NC	-	-	20	25	30	33	37	40				
Throw	5-8-15	8-12-18	10-14-20	13-16-22	14-17-24	15-19-26	16-20-28	17-21-30				
One Slot — 2" Slot Width <td rowspan="2">Horizontal Throw <td rowspan="2">12" Oval Inlet <td rowspan="2">4 ft.</td> <td>CFM</td> <td>140</td> <td>200</td> <td>260</td> <td>320</td> <td>380</td> <td>440</td> <td>500</td> <td>560</td> </td></td>	Horizontal Throw <td rowspan="2">12" Oval Inlet <td rowspan="2">4 ft.</td> <td>CFM</td> <td>140</td> <td>200</td> <td>260</td> <td>320</td> <td>380</td> <td>440</td> <td>500</td> <td>560</td> </td>	12" Oval Inlet <td rowspan="2">4 ft.</td> <td>CFM</td> <td>140</td> <td>200</td> <td>260</td> <td>320</td> <td>380</td> <td>440</td> <td>500</td> <td>560</td>	4 ft.	CFM	140	200	260	320	380	440	500	560
				Ps	.022	.045	.077	.116	.164	.219	.283	.355
Pt	.026	.052	.089	.134	.189	.254	.328	.412				
NC	-	17	22	27	32	35	39	42				
Throw	8-12-21	11-17-25	14-20-29	18-22-32	20-24-34	21-26-37	23-38-40	24-30-42				
One Slot — 2" Slot Width <td rowspan="2">Horizontal Throw <td rowspan="2">12" Oval Inlet <td rowspan="2">5 ft.</td> <td>CFM</td> <td>175</td> <td>250</td> <td>325</td> <td>400</td> <td>475</td> <td>550</td> <td>625</td> <td>700</td> </td></td>	Horizontal Throw <td rowspan="2">12" Oval Inlet <td rowspan="2">5 ft.</td> <td>CFM</td> <td>175</td> <td>250</td> <td>325</td> <td>400</td> <td>475</td> <td>550</td> <td>625</td> <td>700</td> </td>	12" Oval Inlet <td rowspan="2">5 ft.</td> <td>CFM</td> <td>175</td> <td>250</td> <td>325</td> <td>400</td> <td>475</td> <td>550</td> <td>625</td> <td>700</td>	5 ft.	CFM	175	250	325	400	475	550	625	700
				Ps	.024	.050	.084	.128	.180	.241	.311	.391
Pt	.030	.061	.103	.156	.220	.296	.382	.479				
NC	-	18	24	29	33	37	40	43				
Throw	10-16-23	15-22-28	19-27-32	24-30-35	27-33-39	29-35-41	31-38-44	32-40-47				

FORMATIONS PERFORMANCE DATA
ONE SLOT COMBO BLADE HORIZONTAL THROW WITH GREENHECK PLENUM

One Slot — 2.5" Slot Width	Horizontal Throw	10" Oval Inlet	2 ft.	CFM	65	110	150	190	235	275	320	360
				Ps	.016	.042	.081	.133	.197	.274	.364	.467
Pt	.017	.046	.088	.143	.214	.297	.394	.505				
NC	-	-	19	24	29	34	37	41				
Throw	3-4-8	4-6-12	6-9-17	7-11-22	9-13-25	11-16-27	12-18-29	14-21-31				
One Slot — 2.5" Slot Width <td rowspan="2">Horizontal Throw <td rowspan="2">10" Oval Inlet <td rowspan="2">4 ft.</td> <td>CFM</td> <td>130</td> <td>215</td> <td>300</td> <td>385</td> <td>470</td> <td>550</td> <td>635</td> <td>720</td> </td></td>	Horizontal Throw <td rowspan="2">10" Oval Inlet <td rowspan="2">4 ft.</td> <td>CFM</td> <td>130</td> <td>215</td> <td>300</td> <td>385</td> <td>470</td> <td>550</td> <td>635</td> <td>720</td> </td>	10" Oval Inlet <td rowspan="2">4 ft.</td> <td>CFM</td> <td>130</td> <td>215</td> <td>300</td> <td>385</td> <td>470</td> <td>550</td> <td>635</td> <td>720</td>	4 ft.	CFM	130	215	300	385	470	550	635	720
				Ps	.017	.047	.090	.147	.219	.305	.404	.518
Pt	.022	.060	.117	.191	.285	.395	.524	.672				
NC	-	-	21	26	31	36	39	43				
Throw	4-5-11	6-9-18	8-12-24	10-16-31	13-19-35	15-23-38	17-26-41	20-29-44				
One Slot — 2.5" Slot Width <td rowspan="2">Horizontal Throw <td rowspan="2">10" Oval Inlet <td rowspan="2">5 ft.</td> <td>CFM</td> <td>165</td> <td>270</td> <td>375</td> <td>480</td> <td>585</td> <td>690</td> <td>795</td> <td>900</td> </td></td>	Horizontal Throw <td rowspan="2">10" Oval Inlet <td rowspan="2">5 ft.</td> <td>CFM</td> <td>165</td> <td>270</td> <td>375</td> <td>480</td> <td>585</td> <td>690</td> <td>795</td> <td>900</td> </td>	10" Oval Inlet <td rowspan="2">5 ft.</td> <td>CFM</td> <td>165</td> <td>270</td> <td>375</td> <td>480</td> <td>585</td> <td>690</td> <td>795</td> <td>900</td>	5 ft.	CFM	165	270	375	480	585	690	795	900
				Ps	.019	.051	.099	.162	.241	.335	.445	.570
Pt	.027	.073	.141	.231	.343	.477	.633	.811				
NC	-	15	22	28	33	37	41	44				
Throw	5-7-12	8-12-20	11-16-27	14-21-35	17-26-39	20-30-43	23-35-46	26-39-49				
One Slot — 2.5" Slot Width <td rowspan="2">Horizontal Throw <td rowspan="2">12" Oval Inlet <td rowspan="2">2 ft.</td> <td>CFM</td> <td>65</td> <td>110</td> <td>150</td> <td>190</td> <td>235</td> <td>275</td> <td>320</td> <td>360</td> </td></td>	Horizontal Throw <td rowspan="2">12" Oval Inlet <td rowspan="2">2 ft.</td> <td>CFM</td> <td>65</td> <td>110</td> <td>150</td> <td>190</td> <td>235</td> <td>275</td> <td>320</td> <td>360</td> </td>	12" Oval Inlet <td rowspan="2">2 ft.</td> <td>CFM</td> <td>65</td> <td>110</td> <td>150</td> <td>190</td> <td>235</td> <td>275</td> <td>320</td> <td>360</td>	2 ft.	CFM	65	110	150	190	235	275	320	360
				Ps	.015	.040	.076	.125	.186	.259	.344	.440
Pt	.016	.042	.080	.132	.196	.272	.362	.464				
NC	-	-	19	24	29	34	37	41				
Throw	3-4-8	4-6-12	6-9-17	7-11-22	9-13-25	11-16-27	12-18-29	14-21-31				
One Slot — 2.5" Slot Width <td rowspan="2">Horizontal Throw <td rowspan="2">12" Oval Inlet <td rowspan="2">4 ft.</td> <td>CFM</td> <td>130</td> <td>215</td> <td>300</td> <td>385</td> <td>470</td> <td>550</td> <td>635</td> <td>720</td> </td></td>	Horizontal Throw <td rowspan="2">12" Oval Inlet <td rowspan="2">4 ft.</td> <td>CFM</td> <td>130</td> <td>215</td> <td>300</td> <td>385</td> <td>470</td> <td>550</td> <td>635</td> <td>720</td> </td>	12" Oval Inlet <td rowspan="2">4 ft.</td> <td>CFM</td> <td>130</td> <td>215</td> <td>300</td> <td>385</td> <td>470</td> <td>550</td> <td>635</td> <td>720</td>	4 ft.	CFM	130	215	300	385	470	550	635	720
				Ps	.016	.044	.085	.139	.207	.288	.382	.489
Pt	.019	.052	.101	.166	.246	.342	.454	.582				
NC	-	-	21	26	31	36	39	43				
Throw	4-5-11	6-9-18	8-12-24	10-16-31	13-19-35	15-23-38	17-26-41	20-29-44				
One Slot — 2.5" Slot Width <td rowspan="2">Horizontal Throw <td rowspan="2">12" Oval Inlet <td rowspan="2">5 ft.</td> <td>CFM</td> <td>165</td> <td>270</td> <td>375</td> <td>480</td> <td>585</td> <td>690</td> <td>795</td> <td>900</td> </td></td>	Horizontal Throw <td rowspan="2">12" Oval Inlet <td rowspan="2">5 ft.</td> <td>CFM</td> <td>165</td> <td>270</td> <td>375</td> <td>480</td> <td>585</td> <td>690</td> <td>795</td> <td>900</td> </td>	12" Oval Inlet <td rowspan="2">5 ft.</td> <td>CFM</td> <td>165</td> <td>270</td> <td>375</td> <td>480</td> <td>585</td> <td>690</td> <td>795</td> <td>900</td>	5 ft.	CFM	165	270	375	480	585	690	795	900
				Ps	.018	.048	.093	.153	.227	.316	.420	.538
Pt	.023	.062	.119	.194	.289	.402	.533	.684				
NC	-	15	22	28	33	37	41	44				
Throw	5-7-12	8-12-20	11-16-27	14-21-35	17-26-39	20-30-43	23-35-46	26-39-49				

FORMATIONS PERFORMANCE DATA
ONE SLOT COMBO BLADE HORIZONTAL THROW WITH GREENHECK PLENUM

One Slot — 3" Slot Width	Horizontal Throw	10" Oval Inlet	2 ft.	CFM	135	180	220	260	305	345	390	430
				Ps	.032	.055	.084	.119	.160	.207	.260	.320
Pt	.037	.064	.098	.139	.187	.242	.305	.374				
NC	-	18	23	28	31	35	38	40				
Throw	5-7-14	6-9-19	8-12-23	9-14-26	11-16-28	12-18-30	14-20-32	15-23-34				
One Slot — 3" Slot Width <td rowspan="2">Horizontal Throw <td rowspan="2">10" Oval Inlet <td rowspan="2">4 ft.</td> <td>CFM</td> <td>270</td> <td>355</td> <td>440</td> <td>525</td> <td>610</td> <td>690</td> <td>775</td> <td>860</td> </td></td>	Horizontal Throw <td rowspan="2">10" Oval Inlet <td rowspan="2">4 ft.</td> <td>CFM</td> <td>270</td> <td>355</td> <td>440</td> <td>525</td> <td>610</td> <td>690</td> <td>775</td> <td>860</td> </td>	10" Oval Inlet <td rowspan="2">4 ft.</td> <td>CFM</td> <td>270</td> <td>355</td> <td>440</td> <td>525</td> <td>610</td> <td>690</td> <td>775</td> <td>860</td>	4 ft.	CFM	270	355	440	525	610	690	775	860
				Ps	.036	.061	.093	.132	.177	.230	.289	.355
Pt	.057	.098	.150	.214	.288	.371	.467	.575				
NC	-	20	25	30	33	37	40	42				
Throw	7-10-20	9-13-26	11-16-33	13-19-37	15-23-40	17-26-43	19-29-45	21-32-48				
One Slot — 3" Slot Width <td rowspan="2">Horizontal Throw <td rowspan="2">10" Oval Inlet <td rowspan="2">5 ft.</td> <td>CFM</td> <td>340</td> <td>445</td> <td>550</td> <td>655</td> <td>760</td> <td>865</td> <td>970</td> <td>1075</td> </td></td>	Horizontal Throw <td rowspan="2">10" Oval Inlet <td rowspan="2">5 ft.</td> <td>CFM</td> <td>340</td> <td>445</td> <td>550</td> <td>655</td> <td>760</td> <td>865</td> <td>970</td> <td>1075</td> </td>	10" Oval Inlet <td rowspan="2">5 ft.</td> <td>CFM</td> <td>340</td> <td>445</td> <td>550</td> <td>655</td> <td>760</td> <td>865</td> <td>970</td> <td>1075</td>	5 ft.	CFM	340	445	550	655	760	865	970	1075
				Ps	.039	.067	.102	.145	.195	.253	.318	.391
Pt	.073	.126	.192	.272	.367	.475	.597	.734				
NC	16	22	27	31	35	38	41	44				
Throw	9-14-23	12-18-30	15-22-37	17-26-42	20-30-45	23-35-48	26-39-51	29-43-53				
One Slot — 3" Slot Width <td rowspan="2">Horizontal Throw <td rowspan="2">12" Oval Inlet <td rowspan="2">2 ft.</td> <td>CFM</td> <td>135</td> <td>180</td> <td>220</td> <td>260</td> <td>305</td> <td>345</td> <td>390</td> <td>430</td> </td></td>	Horizontal Throw <td rowspan="2">12" Oval Inlet <td rowspan="2">2 ft.</td> <td>CFM</td> <td>135</td> <td>180</td> <td>220</td> <td>260</td> <td>305</td> <td>345</td> <td>390</td> <td>430</td> </td>	12" Oval Inlet <td rowspan="2">2 ft.</td> <td>CFM</td> <td>135</td> <td>180</td> <td>220</td> <td>260</td> <td>305</td> <td>345</td> <td>390</td> <td>430</td>	2 ft.	CFM	135	180	220	260	305	345	390	430
				Ps	.030	.052	.079	.112	.151	.195	.246	.302
Pt	.033	.057	.088	.124	.167	.217	.273	.335				
NC	-	18	23	28	31	35	38	40				
Throw	5-7-14	6-9-19	8-12-23	9-14-26	11-16-28	12-18-30	14-20-32	15-23-34				
One Slot — 3" Slot Width <td rowspan="2">Horizontal Throw <td rowspan="2">12" Oval Inlet <td rowspan="2">4 ft.</td> <td>CFM</td> <td>270</td> <td>355</td> <td>440</td> <td>525</td> <td>610</td> <td>690</td> <td>775</td> <td>860</td> </td></td>	Horizontal Throw <td rowspan="2">12" Oval Inlet <td rowspan="2">4 ft.</td> <td>CFM</td> <td>270</td> <td>355</td> <td>440</td> <td>525</td> <td>610</td> <td>690</td> <td>775</td> <td>860</td> </td>	12" Oval Inlet <td rowspan="2">4 ft.</td> <td>CFM</td> <td>270</td> <td>355</td> <td>440</td> <td>525</td> <td>610</td> <td>690</td> <td>775</td> <td>860</td>	4 ft.	CFM	270	355	440	525	610	690	775	860
				Ps	.034	.057	.088	.124	.167	.217	.273	.335
Pt	.047	.080	.122	.174	.234	.302	.381	.468				
NC	-	20	25	30	33	37	40	42				
Throw	7-10-20	9-13-26	11-16-33	13-19-37	15-23-40	17-26-43	19-29-45	21-32-48				
One Slot — 3" Slot Width <td rowspan="2">Horizontal Throw <td rowspan="2">12" Oval Inlet <td rowspan="2">5 ft.</td> <td>CFM</td> <td>340</td> <td>445</td> <td>550</td> <td>655</td> <td>760</td> <td>865</td> <td>970</td> <td>1075</td> </td></td>	Horizontal Throw <td rowspan="2">12" Oval Inlet <td rowspan="2">5 ft.</td> <td>CFM</td> <td>340</td> <td>445</td> <td>550</td> <td>655</td> <td>760</td> <td>865</td> <td>970</td> <td>1075</td> </td>	12" Oval Inlet <td rowspan="2">5 ft.</td> <td>CFM</td> <td>340</td> <td>445</td> <td>550</td> <td>655</td> <td>760</td> <td>865</td> <td>970</td> <td>1075</td>	5 ft.	CFM	340	445	550	655	760	865	970	1075
				Ps	.037	.063	.096	.137	.184	.239	.300	.369
Pt	.058	.099	.151	.214	.288	.373	.469	.576				
NC	16	22	27	31	35	38	41	44				
Throw	9-14-23	12-18-30	15-22-37	17-26-42	20-30-45	23-35-48	26-39-51	29-43-53				

FORMATIONS PERFORMANCE DATA
ONE SLOT COMBO BLADE VERTICAL THROW WITH GREENHECK PLENUM

One Slot — 1" Slot Width	Vertical Throw	8" Oval Inlet	2 ft.	CFM	70	110	155	200	240	285	325	370
				Ps	.009	.025	.048	.078	.116	.161	.213	.273
Pt	.012	.032	.062	.101	.149	.208	.275	.353				
NC	-	20	26	30	34	37	40	43				
Throw	4-5-10	6-9-13	8-11-15	10-12-18	11-14-19	12-15-21	13-16-23	14-17-24				
One Slot — 1" Slot Width	Vertical Throw	8" Oval Inlet	4 ft.	CFM	140	225	310	395	480	570	655	740
				Ps	.014	.036	.068	.112	.166	.230	.305	.390
One Slot — 1" Slot Width	Vertical Throw	8" Oval Inlet	5 ft.	Pt	.025	.065	.124	.203	.300	.419	.555	.709
				NC	-	22	28	32	36	39	42	45
One Slot — 1" Slot Width	Vertical Throw	8" Oval Inlet	Throw	5-8-15	8-13-19	12-15-22	14-18-25	16-19-27	17-21-30	18-23-32	20-24-4	
				CFM	175	280	390	495	605	710	820	925
One Slot — 1" Slot Width	Vertical Throw	10" Oval Inlet	2 ft.	Ps	.018	.046	.089	.145	.215	.299	.396	.507
				Pt	.035	.092	.178	.288	.428	.592	.788	1.005
One Slot — 1" Slot Width	Vertical Throw	10" Oval Inlet	NC	15	23	29	34	38	41	44	46	
				Throw	7-10-16	11-17-21	15-21-24	19-23-28	21-26-31	23-28-33	25-30-36	26-32-38
One Slot — 1" Slot Width	Vertical Throw	10" Oval Inlet	4 ft.	CFM	70	110	155	200	240	285	325	370
				Ps	.012	.031	.060	.097	.144	.200	.204	.340
One Slot — 1" Slot Width	Vertical Throw	10" Oval Inlet	5 ft.	Pt	.013	.035	.067	.109	.161	.225	.223	.381
				NC	-	17	22	26	29	32	33	36
One Slot — 1" Slot Width	Vertical Throw	10" Oval Inlet	Throw	4-5-10	6-9-13	8-11-15	10-12-18	11-14-19	12-15-21	13-16-23	14-17-24	
				CFM	140	225	310	395	480	570	655	740
One Slot — 1" Slot Width	Vertical Throw	10" Oval Inlet	4 ft.	Ps	.017	.045	.085	.139	.206	.286	.291	.486
				Pt	.023	.060	.114	.186	.275	.383	.368	.649
One Slot — 1" Slot Width	Vertical Throw	10" Oval Inlet	NC	-	19	24	28	31	34	35	38	
				Throw	5-8-15	8-13-19	12-15-22	14-18-25	16-19-27	17-21-30	18-23-32	20-24-34
One Slot — 1" Slot Width	Vertical Throw	10" Oval Inlet	5 ft.	CFM	175	280	390	495	605	710	820	925
				Ps	.022	.058	.111	.181	.268	.372	.379	.632
One Slot — 1" Slot Width	Vertical Throw	10" Oval Inlet	Pt	.031	.081	.156	.254	.377	.522	.500	.886	
				NC	-	20	26	30	33	35	36	40
One Slot — 1" Slot Width	Vertical Throw	10" Oval Inlet	Throw	7-10-16	11-17-21	15-21-24	19-23-28	21-26-31	23-28-33	25-30-36	26-32-38	

FORMATIONS PERFORMANCE DATA
ONE SLOT COMBO BLADE VERTICAL THROW WITH GREENHECK PLENUM

One Slot — 1" Slot Width	Vertical Throw	12" Oval Inlet	2 ft.	CFM	70	110	155	200	240	285	325	370
				Ps	.009	.024	.046	.075	.111	.154	.204	.261
Pt	.010	.026	.050	.082	.121	.168	.223	.286				
NC	-	-	18	23	27	30	33	35				
Throw	4-5-10	6-9-13	8-11-15	10-12-18	11-14-19	12-15-21	13-16-23	14-17-24				
One Slot — 1.5" Slot Width	Vertical Throw	8" Oval Inlet	2 ft.	CFM	80	140	200	260	320	380	440	500
				Ps	.012	.037	.075	.127	.192	.270	.363	.468
Pt	.016	.048	.098	.166	.251	.354	.475	.614				
NC	-	18	25	30	34	37	40	42				
Throw	3-5-10	6-9-15	9-12-18	11-14-20	13-16-22	14-17-24	15-18-26	16-20-28				
One Slot — 1.5" Slot Width	Vertical Throw	8" Oval Inlet	4 ft.	CFM	160	280	400	520	640	760	880	1000
				Ps	.017	.052	.107	.181	.274	.386	.518	.669
Pt	0.032	0.098	0.2	0.338	0.512	0.723	0.969	1.251				
NC	-	20	27	32	36	39	42	44				
Throw	5-7-15	9-13-21	12-18-25	16-20-28	18-22-31	20-24-34	21-26-37	23-28-39				
One Slot — 1.5" Slot Width	Vertical Throw	8" Oval Inlet	5 ft.	CFM	200	350	500	650	800	950	1100	1250
				Ps	.022	.068	.139	.235	.356	.502	.673	.869
Pt	.046	.139	.285	.481	.729	1.028	1.378	1.779				
NC	-	22	28	39	37	40	43	46				
Throw	7-10-16	11-17-23	16-24-28	21-27-32	24-30-35	27-33-38	29-35-41	30-37-44				

FORMATIONS PERFORMANCE DATA
ONE SLOT COMBO BLADE VERTICAL THROW WITH GREENHECK PLENUM

One Slot — 1.5" Slot Width	Vertical Throw	10" Oval Inlet	2 ft.	CFM	80	140	200	260	320	380	440	500
				Ps	.008	.026	.052	.088	.134	.189	.253	.326
Pt	.010	.031	.064	.108	.164	.231	.310	.401				
NC	-	15	21	26	29	32	34	36				
Throw	3-5-10	6-9-15	9-12-18	11-14-20	13-16-22	14-17-24	15-18-26	16-20-28				
One Slot — 1.5" Slot Width <td rowspan="2">Vertical Throw <td rowspan="2">10" Oval Inlet <td rowspan="2">4 ft.</td> <td>CFM</td> <td>160</td> <td>280</td> <td>400</td> <td>520</td> <td>640</td> <td>760</td> <td>880</td> <td>1000</td> </td></td>	Vertical Throw <td rowspan="2">10" Oval Inlet <td rowspan="2">4 ft.</td> <td>CFM</td> <td>160</td> <td>280</td> <td>400</td> <td>520</td> <td>640</td> <td>760</td> <td>880</td> <td>1000</td> </td>	10" Oval Inlet <td rowspan="2">4 ft.</td> <td>CFM</td> <td>160</td> <td>280</td> <td>400</td> <td>520</td> <td>640</td> <td>760</td> <td>880</td> <td>1000</td>	4 ft.	CFM	160	280	400	520	640	760	880	1000
				Ps	.012	.037	.075	.126	.191	.269	.361	.466
Pt	.020	.060	.122	.206	.313	.441	.591	.763				
NC	-	17	23	28	31	34	36	38				
Throw	5-7-15	9-13-21	12-18-25	16-20-28	18-22-31	20-24-34	21-26-37	23-28-39				
One Slot — 1.5" Slot Width <td rowspan="2">Vertical Throw <td rowspan="2">10" Oval Inlet <td rowspan="2">5 ft.</td> <td>CFM</td> <td>200</td> <td>350</td> <td>500</td> <td>650</td> <td>800</td> <td>950</td> <td>1100</td> <td>1250</td> </td></td>	Vertical Throw <td rowspan="2">10" Oval Inlet <td rowspan="2">5 ft.</td> <td>CFM</td> <td>200</td> <td>350</td> <td>500</td> <td>650</td> <td>800</td> <td>950</td> <td>1100</td> <td>1250</td> </td>	10" Oval Inlet <td rowspan="2">5 ft.</td> <td>CFM</td> <td>200</td> <td>350</td> <td>500</td> <td>650</td> <td>800</td> <td>950</td> <td>1100</td> <td>1250</td>	5 ft.	CFM	200	350	500	650	800	950	1100	1250
				Ps	.016	.048	.097	.164	.248	.350	.469	.606
Pt	.027	.084	.171	.289	.438	.618	.829	1.070				
NC	-	19	25	29	32	35	37	40				
Throw	7-10-16	11-17-23	16-24-28	21-27-32	24-30-35	27-33-38	29-35-41	30-37-44				
One Slot — 1.5" Slot Width <td rowspan="2">Vertical Throw <td rowspan="2">12" Oval Inlet <td rowspan="2">2 ft.</td> <td>CFM</td> <td>80</td> <td>140</td> <td>200</td> <td>260</td> <td>320</td> <td>380</td> <td>440</td> <td>500</td> </td></td>	Vertical Throw <td rowspan="2">12" Oval Inlet <td rowspan="2">2 ft.</td> <td>CFM</td> <td>80</td> <td>140</td> <td>200</td> <td>260</td> <td>320</td> <td>380</td> <td>440</td> <td>500</td> </td>	12" Oval Inlet <td rowspan="2">2 ft.</td> <td>CFM</td> <td>80</td> <td>140</td> <td>200</td> <td>260</td> <td>320</td> <td>380</td> <td>440</td> <td>500</td>	2 ft.	CFM	80	140	200	260	320	380	440	500
				Ps	.006	.020	.040	.068	.103	.145	.194	.250
Pt	.008	.023	.047	.080	.121	.170	.229	.295				
NC	-	-	17	22	26	30	32	35				
Throw	3-5-10	6-9-15	9-12-18	11-14-20	13-16-22	14-17-24	15-18-26	16-20-28				
One Slot — 1.5" Slot Width <td rowspan="2">Vertical Throw <td rowspan="2">12" Oval Inlet <td rowspan="2">4 ft.</td> <td>CFM</td> <td>160</td> <td>280</td> <td>400</td> <td>520</td> <td>640</td> <td>760</td> <td>880</td> <td>1000</td> </td></td>	Vertical Throw <td rowspan="2">12" Oval Inlet <td rowspan="2">4 ft.</td> <td>CFM</td> <td>160</td> <td>280</td> <td>400</td> <td>520</td> <td>640</td> <td>760</td> <td>880</td> <td>1000</td> </td>	12" Oval Inlet <td rowspan="2">4 ft.</td> <td>CFM</td> <td>160</td> <td>280</td> <td>400</td> <td>520</td> <td>640</td> <td>760</td> <td>880</td> <td>1000</td>	4 ft.	CFM	160	280	400	520	640	760	880	1000
				Ps	.009	.028	.057	.097	.146	.206	.277	.358
Pt	.014	.042	.086	.145	.220	.310	.416	.537				
NC	-	-	19	24	28	32	34	37				
Throw	5-7-15	9-13-21	12-18-25	16-20-28	18-22-31	20-24-34	21-26-37	23-28-39				
One Slot — 1.5" Slot Width <td rowspan="2">Vertical Throw <td rowspan="2">12" Oval Inlet <td rowspan="2">5 ft.</td> <td>CFM</td> <td>200</td> <td>350</td> <td>500</td> <td>650</td> <td>800</td> <td>950</td> <td>1100</td> <td>1250</td> </td></td>	Vertical Throw <td rowspan="2">12" Oval Inlet <td rowspan="2">5 ft.</td> <td>CFM</td> <td>200</td> <td>350</td> <td>500</td> <td>650</td> <td>800</td> <td>950</td> <td>1100</td> <td>1250</td> </td>	12" Oval Inlet <td rowspan="2">5 ft.</td> <td>CFM</td> <td>200</td> <td>350</td> <td>500</td> <td>650</td> <td>800</td> <td>950</td> <td>1100</td> <td>1250</td>	5 ft.	CFM	200	350	500	650	800	950	1100	1250
				Ps	.012	.036	.074	.126	.190	.268	.360	.465
Pt	.019	.058	.119	.202	.305	.431	.577	.746				
NC	-	-	21	26	30	33	36	38				
Throw	7-10-16	11-17-23	16-24-28	21-27-32	24-30-35	27-33-38	29-35-41	30-37-44				

FORMATIONS PERFORMANCE DATA
ONE SLOT COMBO BLADE VERTICAL THROW WITH GREENHECK PLENUM

One Slot — 2" Slot Width	Vertical Throw	8" Oval Inlet	2 ft.	CFM	70	125	180	235	290	350	405	460
				Ps	.007	.024	.051	.088	.134	.191	.257	.333
Pt	.010	.033	.070	.120	.183	.262	.353	.456				
NC	-	19	25	31	35	38	41	44				
Throw	2-3-7	4-6-12	6-9-18	8-12-22	10-15-24	12-17-26	13-20-28	15-21-30				
One Slot — 2" Slot Width	Vertical Throw	8" Oval Inlet	4 ft.	CFM	135	250	360	470	585	695	810	920
				Ps	.010	.035	.073	.125	.192	.272	.367	.476
One Slot — 2" Slot Width	Vertical Throw	8" Oval Inlet	4 ft.	Pt	.021	.071	.148	.254	.391	.554	.749	.969
				NC	-	21	27	33	37	40	43	46
One Slot — 2" Slot Width	Vertical Throw	8" Oval Inlet	4 ft.	Throw	3-5-10	6-9-18	8-13-25	11-17-31	14-21-34	16-25-37	19-28-40	22-30-43
				CFM	170	310	450	590	730	870	1010	1150
One Slot — 2" Slot Width	Vertical Throw	8" Oval Inlet	5 ft.	Ps	.014	.045	.095	.163	.249	.354	.477	.619
				Pt	.030	.101	.213	.366	.560	.795	1.071	1.389
One Slot — 2" Slot Width	Vertical Throw	8" Oval Inlet	5 ft.	NC	-	22	29	34	38	41	44	47
				Throw	4-6-11	8-12-20	11-17-28	15-22-34	18-28-38	22-33-42	26-38-45	29-41-48
One Slot — 2" Slot Width	Vertical Throw	10" Oval Inlet	2 ft.	CFM	70	125	180	235	290	350	405	460
				Ps	.006	.020	.041	.071	.109	.155	.209	.271
One Slot — 2" Slot Width	Vertical Throw	10" Oval Inlet	2 ft.	Pt	.007	.024	.051	.088	.134	.191	.258	.334
				NC	-	15	22	26	30	32	35	37
One Slot — 2" Slot Width	Vertical Throw	10" Oval Inlet	2 ft.	Throw	2-3-7	4-6-12	6-9-18	8-12-22	10-15-24	12-17-26	13-20-28	15-21-30
				CFM	135	250	360	470	585	695	810	920
One Slot — 2" Slot Width	Vertical Throw	10" Oval Inlet	4 ft.	Ps	.008	.028	.059	.102	.156	.221	.298	.387
				Pt	.014	.047	.098	.167	.257	.365	.493	.638
One Slot — 2" Slot Width	Vertical Throw	10" Oval Inlet	4 ft.	NC	-	17	24	28	32	34	37	39
				Throw	3-5-10	6-9-18	8-13-25	11-17-31	14-21-34	16-25-37	19-28-40	22-30-43
One Slot — 2" Slot Width	Vertical Throw	10" Oval Inlet	5 ft.	CFM	170	310	450	590	730	870	1010	1150
				Ps	.011	.037	.077	.132	.203	.288	.388	.503
One Slot — 2" Slot Width	Vertical Throw	10" Oval Inlet	5 ft.	Pt	.020	.065	.137	.236	.361	.513	.691	.896
				NC	-	19	25	30	33	36	38	41
One Slot — 2" Slot Width	Vertical Throw	10" Oval Inlet	5 ft.	Throw	4-6-11	8-12-20	11-17-28	15-22-34	18-28-38	22-33-42	26-38-45	29-41-48
				CFM	70	125	180	235	290	350	405	460
One Slot — 2" Slot Width	Vertical Throw	12" Oval Inlet	2 ft.	Ps	.004	.012	.026	.044	.067	.095	.129	.167
				Pt	.005	.015	.031	.054	.082	.117	.158	.205
One Slot — 2" Slot Width	Vertical Throw	12" Oval Inlet	2 ft.	NC	-	-	18	23	27	31	33	36
				Throw	2-3-7	4-6-12	6-9-18	8-12-22	10-15-24	12-17-26	13-20-28	15-21-30
One Slot — 2" Slot Width	Vertical Throw	12" Oval Inlet	4 ft.	CFM	135	250	360	470	585	695	810	920
				Ps	.005	.017	.036	.063	.096	.136	.184	.238
One Slot — 2" Slot Width	Vertical Throw	12" Oval Inlet	4 ft.	Pt	.008	.029	.060	.102	.157	.223	.302	.390
				NC	-	-	20	25	29	33	35	38
One Slot — 2" Slot Width	Vertical Throw	12" Oval Inlet	4 ft.	Throw	3-5-10	6-9-18	8-13-25	11-17-31	14-21-34	16-25-37	19-28-40	22-30-43
				CFM	170	310	450	590	730	870	1010	1150
One Slot — 2" Slot Width	Vertical Throw	12" Oval Inlet	5 ft.	Ps	.007	.022	.047	.081	.125	.177	.239	.309
				Pt	.012	.040	.084	.144	.220	.313	.422	.547
One Slot — 2" Slot Width	Vertical Throw	12" Oval Inlet	5 ft.	NC	-	-	22	27	31	34	37	39
				Throw	4-6-11	8-12-20	11-17-28	15-22-34	18-28-38	22-33-42	26-38-45	29-41-48

FORMATIONS PERFORMANCE DATA
ONE SLOT COMBO BLADE VERTICAL THROW WITH GREENHECK PLENUM

One Slot — 2.5" Slot Width	Vertical Throw	12" Oval Inlet	2 ft.	CFM	195	290	385	480	575	670	765	860
				Ps	.017	.037	.065	.101	.145	.196	.256	.324
Pt	.023	.052	.091	.142	.204	.277	.361	.456				
NC	-	22	27	32	35	38	40	42				
Throw	6-9-18	9-13-24	12-18-28	15-22-31	17-24-34	20-26-37	23-28-39	24-29-41				
One Slot — 3" Slot Width <td rowspan="2">Vertical Throw <td rowspan="2">12" Oval Inlet <td rowspan="2">2 ft.</td> <td>CFM</td> <td>195</td> <td>290</td> <td>385</td> <td>480</td> <td>575</td> <td>670</td> <td>765</td> <td>860</td> </td></td>	Vertical Throw <td rowspan="2">12" Oval Inlet <td rowspan="2">2 ft.</td> <td>CFM</td> <td>195</td> <td>290</td> <td>385</td> <td>480</td> <td>575</td> <td>670</td> <td>765</td> <td>860</td> </td>	12" Oval Inlet <td rowspan="2">2 ft.</td> <td>CFM</td> <td>195</td> <td>290</td> <td>385</td> <td>480</td> <td>575</td> <td>670</td> <td>765</td> <td>860</td>	2 ft.	CFM	195	290	385	480	575	670	765	860
				Ps	.015	.033	.058	.090	.130	.176	.229	.290
Pt	.022	.048	.085	.132	.189	.257	.335	.423				
NC	-	-	20	24	28	31	33	35				
Throw	6-9-18	9-13-24	12-18-28	15-22-31	17-24-34	20-26-37	23-29-39	24-29-41				
One Slot — 2.5" Slot Width <td rowspan="2">Vertical Throw <td rowspan="2">12" Oval Inlet <td rowspan="2">4 ft.</td> <td>CFM</td> <td>390</td> <td>580</td> <td>770</td> <td>960</td> <td>1150</td> <td>1340</td> <td>1530</td> <td>1720</td> </td></td>	Vertical Throw <td rowspan="2">12" Oval Inlet <td rowspan="2">4 ft.</td> <td>CFM</td> <td>390</td> <td>580</td> <td>770</td> <td>960</td> <td>1150</td> <td>1340</td> <td>1530</td> <td>1720</td> </td>	12" Oval Inlet <td rowspan="2">4 ft.</td> <td>CFM</td> <td>390</td> <td>580</td> <td>770</td> <td>960</td> <td>1150</td> <td>1340</td> <td>1530</td> <td>1720</td>	4 ft.	CFM	390	580	770	960	1150	1340	1530	1720
				Ps	.024	.053	.093	.144	.207	.281	.366	.462
Pt	.051	.113	.199	.310	.444	.603	.786	.994				
NC	17	24	29	34	37	40	42	44				
Throw	8-13-25	12-19-34	17-25-39	21-31-44	25-34-48	29-37-52	32-39-55	34-41-59				
One Slot — 3" Slot Width <td rowspan="2">Vertical Throw <td rowspan="2">12" Oval Inlet <td rowspan="2">4 ft.</td> <td>CFM</td> <td>390</td> <td>580</td> <td>770</td> <td>960</td> <td>1150</td> <td>1340</td> <td>1530</td> <td>1720</td> </td></td>	Vertical Throw <td rowspan="2">12" Oval Inlet <td rowspan="2">4 ft.</td> <td>CFM</td> <td>390</td> <td>580</td> <td>770</td> <td>960</td> <td>1150</td> <td>1340</td> <td>1530</td> <td>1720</td> </td>	12" Oval Inlet <td rowspan="2">4 ft.</td> <td>CFM</td> <td>390</td> <td>580</td> <td>770</td> <td>960</td> <td>1150</td> <td>1340</td> <td>1530</td> <td>1720</td>	4 ft.	CFM	390	580	770	960	1150	1340	1530	1720
				Ps	.021	.047	.083	.129	.185	.251	.328	.414
Pt	.049	.108	.190	.295	.423	.574	.748	.946				
NC	-	17	22	26	30	33	35	37				
Throw	8-13-25	12-19-34	17-25-39	21-31-44	25-34-48	29-37-52	32-39-55	34-41-59				
One Slot — 2.5" Slot Width <td rowspan="2">Vertical Throw <td rowspan="2">12" Oval Inlet <td rowspan="2">5 ft.</td> <td>CFM</td> <td>490</td> <td>725</td> <td>965</td> <td>1200</td> <td>1440</td> <td>1675</td> <td>1915</td> <td>2150</td> </td></td>	Vertical Throw <td rowspan="2">12" Oval Inlet <td rowspan="2">5 ft.</td> <td>CFM</td> <td>490</td> <td>725</td> <td>965</td> <td>1200</td> <td>1440</td> <td>1675</td> <td>1915</td> <td>2150</td> </td>	12" Oval Inlet <td rowspan="2">5 ft.</td> <td>CFM</td> <td>490</td> <td>725</td> <td>965</td> <td>1200</td> <td>1440</td> <td>1675</td> <td>1915</td> <td>2150</td>	5 ft.	CFM	490	725	965	1200	1440	1675	1915	2150
				Ps	.031	.068	.120	.187	.269	.365	.475	.601
Pt	.074	.163	.288	.446	.641	.869	1.134	1.432				
NC	18	25	31	35	38	41	43	45				
Throw	11-17-28	17-25-38	22-33-44	28-42-49	33-45-54	39-49-58	43-52-62	45-56-66				
One Slot — 3" Slot Width <td rowspan="2">Vertical Throw <td rowspan="2">12" Oval Inlet <td rowspan="2">5 ft.</td> <td>CFM</td> <td>490</td> <td>725</td> <td>965</td> <td>1200</td> <td>1440</td> <td>1675</td> <td>1915</td> <td>2150</td> </td></td>	Vertical Throw <td rowspan="2">12" Oval Inlet <td rowspan="2">5 ft.</td> <td>CFM</td> <td>490</td> <td>725</td> <td>965</td> <td>1200</td> <td>1440</td> <td>1675</td> <td>1915</td> <td>2150</td> </td>	12" Oval Inlet <td rowspan="2">5 ft.</td> <td>CFM</td> <td>490</td> <td>725</td> <td>965</td> <td>1200</td> <td>1440</td> <td>1675</td> <td>1915</td> <td>2150</td>	5 ft.	CFM	490	725	965	1200	1440	1675	1915	2150
				Ps	.028	.061	.108	.168	.241	.327	.426	.538
Pt	.071	.156	.275	.426	.613	.831	1.085	1.369				
NC	-	18	24	28	31	34	37	39				
Throw	11-17-28	17-25-38	22-33-44	28-42-49	33-45-54	39-49-58	43-52-62	45-56-66				

FORMATIONS PERFORMANCE DATA
TWO SLOT COMBO BLADE HORIZONTAL THROW WITH GREENHECK PLENUM

Two Slot — 1" Slot Width	Horizontal Throw	8" Oval Inlet	2 ft.	CFM	110	145	180	215	250	290	325	360		
				Ps	.037	.065	.102	.147	.200	.261	.331	.408		
				Pt	.044	.078	.121	.174	.236	.310	.392	.484		
				NC	-	17	22	26	30	34	37	40		
				Throw	6-10-15	9-13-18	11-14-20	13-15-22	14-17-24	15-18-25	15-19-27	16-20-28		
		10" Oval Inlet	4 ft.	CFM	215	290	360	430	505	575	550	720		
						Ps	.041	.073	.113	.163	.222	.290	.367	.454
						Pt	.068	.122	.189	.271	.371	.483	.613	.755
						NC	-	19	24	28	32	36	39	42
					Throw	9-14-22	12-18-25	15-20-28	18-22-31	19-24-33	21-25-36	22-27-38	23-28-40	
				5 ft.	CFM	270	360	450	540	630	720	810	900	
						Ps	.045	.080	.125	.180	.244	.319	.404	.499
						Pt	.087	.155	.243	.349	.476	.621	.786	.971
						NC	-	20	25	30	34	37	40	43
					Throw	12-18-24	16-24-28	21-27-32	24-29-35	26-32-37	28-34-40	29-36-42	31-38-45	
Two Slot — 1" Slot Width	Horizontal Throw		8" Oval Inlet	2 ft.	CFM	110	145	180	215	250	290	325	360	
					Ps	.033	.058	.091	.131	.179	.233	.295	.365	
					Pt	.036	.065	.101	.145	.197	.258	.327	.403	
					NC	-	17	22	26	30	34	37	40	
				Throw	6-10-15	9-13-18	11-14-20	13-15-22	14-17-24	15-18-25	15-19-27	16-20-28		
				4 ft.	CFM	215	290	360	430	505	575	550	720	
		Ps			.036	.065	.101	.146	.198	.259	.328	.405		
		Pt			.050	.090	.140	.201	.274	.357	.454	.559		
		NC	-		19	24	28	32	36	39	42			
		Throw	9-14-22	12-18-25	15-20-28	18-22-31	19-24-33	21-25-36	22-27-38	23-28-40				
		5 ft.	CFM	270	360	450	540	530	720	810	900			
			Ps	.040	.071	.111	.160	.218	.285	.361	.446			
			Pt	.062	.110	.172	.247	.336	.439	.556	.686			
			NC	-	20	25	30	34	37	40	43			
		Throw	12-18-24	16-24-28	21-27-32	24-29-35	26-32-37	28-34-40	29-36-42	31-38-45				

FORMATIONS PERFORMANCE DATA
TWO SLOT COMBO BLADE HORIZONTAL THROW WITH GREENHECK PLENUM

Two Slot — 1.5" Slot Width	Horizontal Throw	8" Oval Inlet	2 ft.	CFM	95	125	155	185	215	250	280	310
				Ps	.018	.033	.051	.073	.100	.130	.165	.203
Pt	.024	.042	.065	.093	.127	.166	.210	.259				
NC	-	17	22	27	31	34	37	40				
Throw	4-7-14	6-9-17	8-11-18	9-14-20	11-15-22	12-17-23	14-18-25	15-18-26				
Two Slot — 1.5" Slot Width <td rowspan="2">Horizontal Throw <td rowspan="2">8" Oval Inlet <td rowspan="2">4 ft.</td> <td>CFM</td> <td>185</td> <td>250</td> <td>310</td> <td>370</td> <td>435</td> <td>495</td> <td>560</td> <td>620</td> </td></td>	Horizontal Throw <td rowspan="2">8" Oval Inlet <td rowspan="2">4 ft.</td> <td>CFM</td> <td>185</td> <td>250</td> <td>310</td> <td>370</td> <td>435</td> <td>495</td> <td>560</td> <td>620</td> </td>	8" Oval Inlet <td rowspan="2">4 ft.</td> <td>CFM</td> <td>185</td> <td>250</td> <td>310</td> <td>370</td> <td>435</td> <td>495</td> <td>560</td> <td>620</td>	4 ft.	CFM	185	250	310	370	435	495	560	620
				Ps	.020	.036	.056	.081	.111	.145	.183	.226
Pt	.040	.073	.112	.161	.221	.287	.366	.450				
NC	-	19	24	29	33	36	39	42				
Throw	5-10-19	9-13-23	11-16-26	13-19-29	15-22-31	17-23-33	19-25-35	21-26-37				
Two Slot — 1.5" Slot Width <td rowspan="2">Horizontal Throw <td rowspan="2">8" Oval Inlet <td rowspan="2">5 ft.</td> <td>CFM</td> <td>235</td> <td>310</td> <td>390</td> <td>465</td> <td>545</td> <td>620</td> <td>700</td> <td>775</td> </td></td>	Horizontal Throw <td rowspan="2">8" Oval Inlet <td rowspan="2">5 ft.</td> <td>CFM</td> <td>235</td> <td>310</td> <td>390</td> <td>465</td> <td>545</td> <td>620</td> <td>700</td> <td>775</td> </td>	8" Oval Inlet <td rowspan="2">5 ft.</td> <td>CFM</td> <td>235</td> <td>310</td> <td>390</td> <td>465</td> <td>545</td> <td>620</td> <td>700</td> <td>775</td>	5 ft.	CFM	235	310	390	465	545	620	700	775
				Ps	.022	.040	.062	.089	.122	.159	.201	.248
Pt	.055	.096	.151	.215	.295	.383	.486	.598				
NC	15	21	26	30	34	38	41	43				
Throw	7-13-22	12-17-26	14-22-29	17-26-32	20-29-35	23-31-37	26-33-39	29-35-41				
Two Slot — 1.5" Slot Width <td rowspan="2">Horizontal Throw <td rowspan="2">12" Oval Inlet <td rowspan="2">2 ft.</td> <td>CFM</td> <td>95</td> <td>125</td> <td>155</td> <td>185</td> <td>215</td> <td>250</td> <td>280</td> <td>310</td> </td></td>	Horizontal Throw <td rowspan="2">12" Oval Inlet <td rowspan="2">2 ft.</td> <td>CFM</td> <td>95</td> <td>125</td> <td>155</td> <td>185</td> <td>215</td> <td>250</td> <td>280</td> <td>310</td> </td>	12" Oval Inlet <td rowspan="2">2 ft.</td> <td>CFM</td> <td>95</td> <td>125</td> <td>155</td> <td>185</td> <td>215</td> <td>250</td> <td>280</td> <td>310</td>	2 ft.	CFM	95	125	155	185	215	250	280	310
				Ps	.017	.030	.047	.068	.092	.120	.152	.188
Pt	.019	.033	.051	.074	.100	.132	.166	.205				
NC	-	17	22	26	30	34	37	39				
Throw	4-7-14	6-9-17	8-11-18	9-14-20	11-15-22	12-17-23	14-18-25	15-18-26				
Two Slot — 1.5" Slot Width <td rowspan="2">Horizontal Throw <td rowspan="2">12" Oval Inlet <td rowspan="2">4 ft.</td> <td>CFM</td> <td>185</td> <td>250</td> <td>310</td> <td>370</td> <td>435</td> <td>495</td> <td>560</td> <td>620</td> </td></td>	Horizontal Throw <td rowspan="2">12" Oval Inlet <td rowspan="2">4 ft.</td> <td>CFM</td> <td>185</td> <td>250</td> <td>310</td> <td>370</td> <td>435</td> <td>495</td> <td>560</td> <td>620</td> </td>	12" Oval Inlet <td rowspan="2">4 ft.</td> <td>CFM</td> <td>185</td> <td>250</td> <td>310</td> <td>370</td> <td>435</td> <td>495</td> <td>560</td> <td>620</td>	4 ft.	CFM	185	250	310	370	435	495	560	620
				Ps	.019	.033	.052	.075	.102	.134	.169	.209
Pt	.025	.045	.070	.100	.136	.178	.226	.278				
NC	-	19	24	28	32	36	39	41				
Throw	5-10-19	9-13-23	11-16-26	13-19-29	15-22-31	17-23-33	19-25-35	21-26-37				
Two Slot — 1.5" Slot Width <td rowspan="2">Horizontal Throw <td rowspan="2">12" Oval Inlet <td rowspan="2">5 ft.</td> <td>CFM</td> <td>235</td> <td>310</td> <td>390</td> <td>465</td> <td>545</td> <td>620</td> <td>700</td> <td>775</td> </td></td>	Horizontal Throw <td rowspan="2">12" Oval Inlet <td rowspan="2">5 ft.</td> <td>CFM</td> <td>235</td> <td>310</td> <td>390</td> <td>465</td> <td>545</td> <td>620</td> <td>700</td> <td>775</td> </td>	12" Oval Inlet <td rowspan="2">5 ft.</td> <td>CFM</td> <td>235</td> <td>310</td> <td>390</td> <td>465</td> <td>545</td> <td>620</td> <td>700</td> <td>775</td>	5 ft.	CFM	235	310	390	465	545	620	700	775
				Ps	.021	.037	.057	.083	.113	.147	.186	.230
Pt	.031	.054	.085	.122	.166	.216	.274	.338				
NC	-	20	25	30	34	37	40	43				
Throw	7-13-22	12-17-26	14-22-29	17-26-32	20-29-35	23-31-37	26-33-39	29-35-41				

FORMATIONS PERFORMANCE DATA
TWO SLOT COMBO BLADE HORIZONTAL THROW WITH GREENHECK PLENUM

Two Slot — 2" Slot Width	Horizontal Throw	8" Oval Inlet	2 ft.	CFM	100	140	175	210	250	285	325	360
				Ps	.015	.028	.044	.065	.090	.119	.151	.188
Pt	.021	.039	.062	.091	.126	.166	.213	.264				
NC	-	17	22	27	31	35	38	41				
Throw	6-9-15	8-12-17	11-14-20	12-15-22	14-17-23	14-18-25	15-19-27	16-20-28				
Two Slot — 2" Slot Width	Horizontal Throw	8" Oval Inlet	4 ft.	CFM	200	275	350	425	500	570	645	720
				Ps	.016	.031	.049	.072	.100	.132	.168	.209
Pt	.040	.075	.121	.178	.246	.321	.410	.511				
NC	-	19	24	29	33	37	40	43				
Throw	4-9-18	7-12-25	11-16-28	13-19-31	15-22-33	17-25-36	19-27-38	22-28-40				
Two Slot — 2" Slot Width	Horizontal Throw	8" Oval Inlet	5 ft.	CFM	255	345	440	530	625	715	810	900
				Ps	.018	.034	.054	.080	.110	.145	.185	.230
Pt	.056	.103	.167	.243	.337	.443	.567	.701				
NC	-	20	26	30	34	38	41	44				
Throw	5-12-20	10-17-28	14-21-31	17-26-34	20-30-37	23-34-40	26-36-42	29-38-45				
Two Slot — 2" Slot Width	Horizontal Throw	12" Oval Inlet	2 ft.	CFM	100	140	175	210	250	285	325	360
				Ps	.013	.024	.039	.057	.079	.104	.133	.165
Pt	.015	.028	.044	.065	.090	.119	.152	.188				
NC	-	17	22	27	31	35	38	41				
Throw	3-6-13	5-9-17	7-11-20	9-14-22	11-16-23	12-18-25	14-19-27	15-20-28				
Two Slot — 2" Slot Width	Horizontal Throw	12" Oval Inlet	4 ft.	CFM	200	275	350	425	500	570	645	720
				Ps	.014	.027	.043	.063	.088	.116	.147	.183
Pt	.022	.040	.065	.096	.132	.174	.222	.276				
NC	-	19	24	29	33	37	40	43				
Throw	4-9-18	7-12-25	11-16-28	13-19-31	15-22-33	17-25-36	19-27-38	22-28-40				
Two Slot — 2" Slot Width	Horizontal Throw	12" Oval Inlet	5 ft.	CFM	255	345	440	530	625	715	810	900
				Ps	.016	.030	.048	0.07	.090	.127	.162	.201
Pt	.028	.051	.082	0.12	.167	.219	.280	.347				
NC	-	20	26	30	34	38	41	44				
Throw	5-12-20	10-17-28	14-21-31	17-26-34	20-30-37	23-34-40	26-36-42	29-38-45				

FORMATIONS PERFORMANCE DATA
TWO SLOT COMBO BLADE HORIZONTAL THROW WITH GREENHECK PLENUM

Two Slot — 2.5" Slot Width	Horizontal Throw	10" Oval Inlet	2 ft.	CFM	140	185	230	275	320	370	415	460
				Ps	.015	.027	.042	.061	.083	.108	.137	.169
Pt	.021	.037	.058	.083	.113	.140	.188	.232				
NC	-	17	22	26	30	33	37	39				
Throw	4-8-16	6-11-20	9-13-23	11-16-25	12-18-27	14-20-28	16-21-30	18-23-32				
Two Slot — 2.5" Slot Width <td rowspan="2">Horizontal Throw <td rowspan="2">10" Oval Inlet <td rowspan="2">4 ft.</td> <td>CFM</td> <td>275</td> <td>370</td> <td>460</td> <td>550</td> <td>645</td> <td>735</td> <td>830</td> <td>920</td> </td></td>	Horizontal Throw <td rowspan="2">10" Oval Inlet <td rowspan="2">4 ft.</td> <td>CFM</td> <td>275</td> <td>370</td> <td>460</td> <td>550</td> <td>645</td> <td>735</td> <td>830</td> <td>920</td> </td>	10" Oval Inlet <td rowspan="2">4 ft.</td> <td>CFM</td> <td>275</td> <td>370</td> <td>460</td> <td>550</td> <td>645</td> <td>735</td> <td>830</td> <td>920</td>	4 ft.	CFM	275	370	460	550	645	735	830	920
				Ps	.017	.030	.047	.068	.092	.120	.152	.188
Pt	.039	.071	.110	.157	.216	.281	.357	.439				
NC	-	19	24	28	32	35	39	41				
Throw	5-11-22	9-15-28	12-19-32	15-22-35	17-26-38	20-28-40	22-30-43	25-32-45				
Two Slot — 2.5" Slot Width <td rowspan="2">Horizontal Throw <td rowspan="2">10" Oval Inlet <td rowspan="2">5 ft.</td> <td>CFM</td> <td>345</td> <td>460</td> <td>575</td> <td>690</td> <td>805</td> <td>920</td> <td>1035</td> <td>1150</td> </td></td>	Horizontal Throw <td rowspan="2">10" Oval Inlet <td rowspan="2">5 ft.</td> <td>CFM</td> <td>345</td> <td>460</td> <td>575</td> <td>690</td> <td>805</td> <td>920</td> <td>1035</td> <td>1150</td> </td>	10" Oval Inlet <td rowspan="2">5 ft.</td> <td>CFM</td> <td>345</td> <td>460</td> <td>575</td> <td>690</td> <td>805</td> <td>920</td> <td>1035</td> <td>1150</td>	5 ft.	CFM	345	460	575	690	805	920	1035	1150
				Ps	.019	.033	.052	.074	.101	.132	.167	.207
Pt	.054	.096	.150	.216	.294	.384	.486	.599				
NC	-	20	25	30	33	37	40	43				
Throw	7-15-25	12-20-32	17-25-36	20-30-39	23-35-42	27-38-45	30-41-48	33-43-50				
Two Slot — 2.5" Slot Width <td rowspan="2">Horizontal Throw <td rowspan="2">12" Oval Inlet <td rowspan="2">2 ft.</td> <td>CFM</td> <td>140</td> <td>185</td> <td>230</td> <td>275</td> <td>320</td> <td>370</td> <td>415</td> <td>460</td> </td></td>	Horizontal Throw <td rowspan="2">12" Oval Inlet <td rowspan="2">2 ft.</td> <td>CFM</td> <td>140</td> <td>185</td> <td>230</td> <td>275</td> <td>320</td> <td>370</td> <td>415</td> <td>460</td> </td>	12" Oval Inlet <td rowspan="2">2 ft.</td> <td>CFM</td> <td>140</td> <td>185</td> <td>230</td> <td>275</td> <td>320</td> <td>370</td> <td>415</td> <td>460</td>	2 ft.	CFM	140	185	230	275	320	370	415	460
				Ps	.014	.025	.039	.056	.076	.099	.125	.155
Pt	.017	.031	.048	.069	.094	.124	.156	.193				
NC	-	16	21	25	29	32	35	38				
Throw	4-8-16	6-11-20	9-13-23	11-16-25	12-18-27	14-20-28	16-21-30	18-23-32				
Two Slot — 2.5" Slot Width <td rowspan="2">Horizontal Throw <td rowspan="2">12" Oval Inlet <td rowspan="2">4 ft.</td> <td>CFM</td> <td>275</td> <td>370</td> <td>460</td> <td>550</td> <td>645</td> <td>735</td> <td>830</td> <td>920</td> </td></td>	Horizontal Throw <td rowspan="2">12" Oval Inlet <td rowspan="2">4 ft.</td> <td>CFM</td> <td>275</td> <td>370</td> <td>460</td> <td>550</td> <td>645</td> <td>735</td> <td>830</td> <td>920</td> </td>	12" Oval Inlet <td rowspan="2">4 ft.</td> <td>CFM</td> <td>275</td> <td>370</td> <td>460</td> <td>550</td> <td>645</td> <td>735</td> <td>830</td> <td>920</td>	4 ft.	CFM	275	370	460	550	645	735	830	920
				Ps	.015	.028	.043	.062	.084	.110	.139	.172
Pt	.029	.052	.081	.116	.159	.207	.263	.324				
NC	-	18	23	27	31	34	37	40				
Throw	5-11-22	9-15-28	12-19-32	15-22-35	17-26-38	20-28-40	22-30-43	25-32-45				
Two Slot — 2.5" Slot Width <td rowspan="2">Horizontal Throw <td rowspan="2">12" Oval Inlet <td rowspan="2">5 ft.</td> <td>CFM</td> <td>345</td> <td>460</td> <td>575</td> <td>690</td> <td>805</td> <td>920</td> <td>1035</td> <td>1150</td> </td></td>	Horizontal Throw <td rowspan="2">12" Oval Inlet <td rowspan="2">5 ft.</td> <td>CFM</td> <td>345</td> <td>460</td> <td>575</td> <td>690</td> <td>805</td> <td>920</td> <td>1035</td> <td>1150</td> </td>	12" Oval Inlet <td rowspan="2">5 ft.</td> <td>CFM</td> <td>345</td> <td>460</td> <td>575</td> <td>690</td> <td>805</td> <td>920</td> <td>1035</td> <td>1150</td>	5 ft.	CFM	345	460	575	690	805	920	1035	1150
				Ps	.017	.030	.047	.068	.093	.121	.153	.189
Pt	.038	.068	.107	.154	.209	.273	.346	.427				
NC	-	19	24	28	32	36	39	42				
Throw	7-15-25	12-20-32	17-25-36	20-30-39	23-35-42	27-38-45	30-41-48	33-43-50				

FORMATIONS PERFORMANCE DATA
TWO SLOT COMBO BLADE HORIZONTAL THROW WITH GREENHECK PLENUM

Two Slot — 3" Slot Width	Horizontal Throw	10" Oval Inlet	2 ft.	CFM	150	200	250	300	350	400	450	500
				Ps	.015	.027	.042	.061	.083	.108	.137	.169
Pt	.022	.039	.061	.087	.119	.156	.197	.243				
NC	-	17	22	26	30	34	37	40				
Throw	3-7-16	6-10-21	9-13-23	10-16-26	12-18-28	14-21-30	16-22-32	17-23-33				
Two Slot — 3" Slot Width <td rowspan="2">Horizontal Throw <td rowspan="2">10" Oval Inlet <td rowspan="2">4 ft.</td> <td>CFM</td> <td>300</td> <td>400</td> <td>500</td> <td>600</td> <td>700</td> <td>800</td> <td>900</td> <td>1000</td> </td></td>	Horizontal Throw <td rowspan="2">10" Oval Inlet <td rowspan="2">4 ft.</td> <td>CFM</td> <td>300</td> <td>400</td> <td>500</td> <td>600</td> <td>700</td> <td>800</td> <td>900</td> <td>1000</td> </td>	10" Oval Inlet <td rowspan="2">4 ft.</td> <td>CFM</td> <td>300</td> <td>400</td> <td>500</td> <td>600</td> <td>700</td> <td>800</td> <td>900</td> <td>1000</td>	4 ft.	CFM	300	400	500	600	700	800	900	1000
				Ps	.017	.030	.047	.068	.092	.120	.152	.188
Pt	.044	.078	.121	.174	.237	.310	.392	.485				
NC	-	19	24	28	32	36	39	42				
Throw	5-10-22	8-15-29	12-18-33	15-22-36	17-26-39	20-29-42	22-32-45	25-33-53				
Two Slot — 3" Slot Width <td rowspan="2">Horizontal Throw <td rowspan="2">10" Oval Inlet <td rowspan="2">5 ft.</td> <td>CFM</td> <td>375</td> <td>500</td> <td>625</td> <td>750</td> <td>875</td> <td>1000</td> <td>1125</td> <td>1250</td> </td></td>	Horizontal Throw <td rowspan="2">10" Oval Inlet <td rowspan="2">5 ft.</td> <td>CFM</td> <td>375</td> <td>500</td> <td>625</td> <td>750</td> <td>875</td> <td>1000</td> <td>1125</td> <td>1250</td> </td>	10" Oval Inlet <td rowspan="2">5 ft.</td> <td>CFM</td> <td>375</td> <td>500</td> <td>625</td> <td>750</td> <td>875</td> <td>1000</td> <td>1125</td> <td>1250</td>	5 ft.	CFM	375	500	625	750	875	1000	1125	1250
				Ps	.019	.033	.052	.074	.101	.132	.167	.206
Pt	.060	.107	.168	.241	.328	.429	.543	.670				
NC	-	20	25	30	34	37	40	43				
Throw	6-14-25	11-20-33	16-25-37	20-30-41	23-35-44	26-40-47	30-42-50	33-45-53				
Two Slot — 3" Slot Width <td rowspan="2">Horizontal Throw <td rowspan="2">12" Oval Inlet <td rowspan="2">2 ft.</td> <td>CFM</td> <td>150</td> <td>200</td> <td>250</td> <td>300</td> <td>350</td> <td>400</td> <td>450</td> <td>500</td> </td></td>	Horizontal Throw <td rowspan="2">12" Oval Inlet <td rowspan="2">2 ft.</td> <td>CFM</td> <td>150</td> <td>200</td> <td>250</td> <td>300</td> <td>350</td> <td>400</td> <td>450</td> <td>500</td> </td>	12" Oval Inlet <td rowspan="2">2 ft.</td> <td>CFM</td> <td>150</td> <td>200</td> <td>250</td> <td>300</td> <td>350</td> <td>400</td> <td>450</td> <td>500</td>	2 ft.	CFM	150	200	250	300	350	400	450	500
				Ps	.014	.026	.040	.058	.079	.103	.130	.160
Pt	.018	.033	.051	.074	.101	.131	.166	.205				
NC	-	16	21	25	29	32	35	38				
Throw	3-7-16	6-10-21	9-13-23	10-16-26	12-18-28	14-21-30	16-22-32	17-23-33				
Two Slot — 3" Slot Width <td rowspan="2">Horizontal Throw <td rowspan="2">12" Oval Inlet <td rowspan="2">4 ft.</td> <td>CFM</td> <td>300</td> <td>400</td> <td>500</td> <td>600</td> <td>700</td> <td>800</td> <td>900</td> <td>1000</td> </td></td>	Horizontal Throw <td rowspan="2">12" Oval Inlet <td rowspan="2">4 ft.</td> <td>CFM</td> <td>300</td> <td>400</td> <td>500</td> <td>600</td> <td>700</td> <td>800</td> <td>900</td> <td>1000</td> </td>	12" Oval Inlet <td rowspan="2">4 ft.</td> <td>CFM</td> <td>300</td> <td>400</td> <td>500</td> <td>600</td> <td>700</td> <td>800</td> <td>900</td> <td>1000</td>	4 ft.	CFM	300	400	500	600	700	800	900	1000
				Ps	.016	.029	.045	.064	.087	.114	.144	.178
Pt	.032	.057	.089	.129	.175	.229	.290	.358				
NC	-	18	23	27	31	34	37	40				
Throw	5-10-22	8-15-29	12-18-33	15-22-36	17-26-39	20-29-42	22-32-45	25-33-47				
Two Slot — 3" Slot Width <td rowspan="2">Horizontal Throw <td rowspan="2">12" Oval Inlet <td rowspan="2">5 ft.</td> <td>CFM</td> <td>375</td> <td>500</td> <td>625</td> <td>750</td> <td>875</td> <td>1000</td> <td>1125</td> <td>1250</td> </td></td>	Horizontal Throw <td rowspan="2">12" Oval Inlet <td rowspan="2">5 ft.</td> <td>CFM</td> <td>375</td> <td>500</td> <td>625</td> <td>750</td> <td>875</td> <td>1000</td> <td>1125</td> <td>1250</td> </td>	12" Oval Inlet <td rowspan="2">5 ft.</td> <td>CFM</td> <td>375</td> <td>500</td> <td>625</td> <td>750</td> <td>875</td> <td>1000</td> <td>1125</td> <td>1250</td>	5 ft.	CFM	375	500	625	750	875	1000	1125	1250
				Ps	.018	.031	.049	.071	.096	.125	.159	.196
Pt	.043	.076	.119	.172	.234	.305	.386	.477				
NC	-	19	24	29	32	36	39	42				
Throw	6-14-25	11-20-33	16-25-37	20-30-41	23-35-44	26-40-47	30-42-50	33-45-53				

FORMATIONS PERFORMANCE DATA
TWO SLOT COMBO BLADE VERTICAL THROW WITH GREENHECK PLENUM

Two Slot — 1" Slot Width	Vertical Throw	8" Oval Inlet	2 ft.	CFM	95	150	205	260	315	370	425	480
				Ps	.013	.032	.059	.095	.139	.192	.253	.323
Pt	.018	.045	.083	.134	.197	.271	.358	.457				
NC	-	20	25	30	33	36	39	42				
Throw	3-4-8	4-6-13	6-9-17	7-11-22	9-13-27	10-16-30	12-18-32	14-20-34				
Two Slot — 1" Slot Width <td rowspan="2">Vertical Throw <td rowspan="2">8" Oval Inlet <td rowspan="2">4 ft.</td> <td>CFM</td> <td>190</td> <td>300</td> <td>410</td> <td>520</td> <td>630</td> <td>740</td> <td>850</td> <td>960</td> </td></td>	Vertical Throw <td rowspan="2">8" Oval Inlet <td rowspan="2">4 ft.</td> <td>CFM</td> <td>190</td> <td>300</td> <td>410</td> <td>520</td> <td>630</td> <td>740</td> <td>850</td> <td>960</td> </td>	8" Oval Inlet <td rowspan="2">4 ft.</td> <td>CFM</td> <td>190</td> <td>300</td> <td>410</td> <td>520</td> <td>630</td> <td>740</td> <td>850</td> <td>960</td>	4 ft.	CFM	190	300	410	520	630	740	850	960
				Ps	.018	.045	.084	.135	.198	.274	.361	.461
Pt	.039	.097	.182	.293	.430	.593	.782	.997				
NC	-	22	27	32	35	38	41	44				
Throw	4-6-11	6-9-18	8-12-25	10-16-31	13-19-38	15-22-42	17-26-45	19-29-48				
Two Slot — 1" Slot Width <td rowspan="2">Vertical Throw <td rowspan="2">8" Oval Inlet <td rowspan="2">5 ft.</td> <td>CFM</td> <td>240</td> <td>375</td> <td>515</td> <td>650</td> <td>790</td> <td>925</td> <td>1065</td> <td>1200</td> </td></td>	Vertical Throw <td rowspan="2">8" Oval Inlet <td rowspan="2">5 ft.</td> <td>CFM</td> <td>240</td> <td>375</td> <td>515</td> <td>650</td> <td>790</td> <td>925</td> <td>1065</td> <td>1200</td> </td>	8" Oval Inlet <td rowspan="2">5 ft.</td> <td>CFM</td> <td>240</td> <td>375</td> <td>515</td> <td>650</td> <td>790</td> <td>925</td> <td>1065</td> <td>1200</td>	5 ft.	CFM	240	375	515	650	790	925	1065	1200
				Ps	.023	.059	.109	.176	.258	.356	.470	.599
Pt	.057	.140	.264	.422	.621	.840	1.130	1.437				
NC	15	23	29	33	37	40	43	45				
Throw	5-8-13	8-12-20	11-17-28	14-21-35	17-25-42	20-30-47	23-34-51	26-39-54				
Two Slot — 1" Slot Width <td rowspan="2">Vertical Throw <td rowspan="2">10" Oval Inlet <td rowspan="2">2 ft.</td> <td>CFM</td> <td>95</td> <td>150</td> <td>205</td> <td>260</td> <td>315</td> <td>370</td> <td>425</td> <td>480</td> </td></td>	Vertical Throw <td rowspan="2">10" Oval Inlet <td rowspan="2">2 ft.</td> <td>CFM</td> <td>95</td> <td>150</td> <td>205</td> <td>260</td> <td>315</td> <td>370</td> <td>425</td> <td>480</td> </td>	10" Oval Inlet <td rowspan="2">2 ft.</td> <td>CFM</td> <td>95</td> <td>150</td> <td>205</td> <td>260</td> <td>315</td> <td>370</td> <td>425</td> <td>480</td>	2 ft.	CFM	95	150	205	260	315	370	425	480
				Ps	.007	.018	.034	.055	.081	.111	.147	.187
Pt	.010	.025	.047	.075	.110	.152	.200	.256				
NC	-	16	22	26	29	31	33	35				
Throw	3-4-8	4-6-13	6-9-17	7-11-22	9-13-27	10-16-30	12-18-32	14-20-34				
Two Slot — 1" Slot Width <td rowspan="2">Vertical Throw <td rowspan="2">10" Oval Inlet <td rowspan="2">4 ft.</td> <td>CFM</td> <td>190</td> <td>300</td> <td>410</td> <td>520</td> <td>630</td> <td>740</td> <td>850</td> <td>960</td> </td></td>	Vertical Throw <td rowspan="2">10" Oval Inlet <td rowspan="2">4 ft.</td> <td>CFM</td> <td>190</td> <td>300</td> <td>410</td> <td>520</td> <td>630</td> <td>740</td> <td>850</td> <td>960</td> </td>	10" Oval Inlet <td rowspan="2">4 ft.</td> <td>CFM</td> <td>190</td> <td>300</td> <td>410</td> <td>520</td> <td>630</td> <td>740</td> <td>850</td> <td>960</td>	4 ft.	CFM	190	300	410	520	630	740	850	960
				Ps	.010	.026	.049	.078	.115	.159	.210	.267
Pt	.021	.053	.099	.159	.233	.321	.424	.541				
NC	-	18	24	28	31	33	35	37				
Throw	4-6-11	6-9-18	8-12-25	10-16-31	13-19-38	15-22-42	17-26-45	19-29-48				
Two Slot — 1" Slot Width <td rowspan="2">Vertical Throw <td rowspan="2">10" Oval Inlet <td rowspan="2">5 ft.</td> <td>CFM</td> <td>240</td> <td>375</td> <td>515</td> <td>650</td> <td>790</td> <td>925</td> <td>1065</td> <td>1200</td> </td></td>	Vertical Throw <td rowspan="2">10" Oval Inlet <td rowspan="2">5 ft.</td> <td>CFM</td> <td>240</td> <td>375</td> <td>515</td> <td>650</td> <td>790</td> <td>925</td> <td>1065</td> <td>1200</td> </td>	10" Oval Inlet <td rowspan="2">5 ft.</td> <td>CFM</td> <td>240</td> <td>375</td> <td>515</td> <td>650</td> <td>790</td> <td>925</td> <td>1065</td> <td>1200</td>	5 ft.	CFM	240	375	515	650	790	925	1065	1200
				Ps	.014	.034	.063	.102	.150	.206	.272	.347
Pt	.031	.076	.142	.227	.335	.461	.609	.775				
NC	-	20	25	29	32	35	37	39				
Throw	5-8-13	8-12-20	11-17-28	14-21-35	17-25-42	20-30-47	23-34-51	26-39-54				

FORMATIONS PERFORMANCE DATA
TWO SLOT COMBO BLADE VERTICAL THROW WITH GREENHECK PLENUM

Two Slot — 1" Slot Width	Vertical Throw	12" Oval Inlet	2 ft.	CFM	95	150	205	260	315	370	425	480
				Ps	.009	.022	.041	.066	.097	.134	.177	.226
Pt	.010	.026	.049	.078	.115	.159	.209	.267				
NC	-	-	18	22	26	29	32	34				
Throw	3-4-8	4-6-13	6-9-17	7-11-22	9-13-27	10-16-30	12-18-32	14-20-34				
Two Slot — 1" Slot Width <td rowspan="2">Vertical Throw <td rowspan="2">12" Oval Inlet <td rowspan="2">4 ft.</td> <td>CFM</td> <td>190</td> <td>300</td> <td>410</td> <td>520</td> <td>630</td> <td>740</td> <td>850</td> <td>960</td> </td></td>	Vertical Throw <td rowspan="2">12" Oval Inlet <td rowspan="2">4 ft.</td> <td>CFM</td> <td>190</td> <td>300</td> <td>410</td> <td>520</td> <td>630</td> <td>740</td> <td>850</td> <td>960</td> </td>	12" Oval Inlet <td rowspan="2">4 ft.</td> <td>CFM</td> <td>190</td> <td>300</td> <td>410</td> <td>520</td> <td>630</td> <td>740</td> <td>850</td> <td>960</td>	4 ft.	CFM	190	300	410	520	630	740	850	960
				Ps	.013	.032	.059	.095	.139	.192	.253	.323
Pt	.019	.048	.089	.143	.210	.290	.383	.488				
NC	-	-	20	24	28	31	34	36				
Throw	4-6-11	6-9-18	8-12-25	10-16-31	13-19-38	15-22-42	17-26-45	19-29-48				
Two Slot — 1" Slot Width <td rowspan="2">Vertical Throw <td rowspan="2">12" Oval Inlet <td rowspan="2">5 ft.</td> <td>CFM</td> <td>240</td> <td>375</td> <td>515</td> <td>650</td> <td>790</td> <td>925</td> <td>1065</td> <td>1200</td> </td></td>	Vertical Throw <td rowspan="2">12" Oval Inlet <td rowspan="2">5 ft.</td> <td>CFM</td> <td>240</td> <td>375</td> <td>515</td> <td>650</td> <td>790</td> <td>925</td> <td>1065</td> <td>1200</td> </td>	12" Oval Inlet <td rowspan="2">5 ft.</td> <td>CFM</td> <td>240</td> <td>375</td> <td>515</td> <td>650</td> <td>790</td> <td>925</td> <td>1065</td> <td>1200</td>	5 ft.	CFM	240	375	515	650	790	925	1065	1200
				Ps	.016	.041	.076	.123	.181	.249	.329	.419
Pt	.027	.066	.124	.199	.293	.403	.533	.678				
NC	-	16	21	26	29	33	35	37				
Throw	5-8-13	8-12-20	11-17-28	14-21-35	17-25-42	20-30-47	23-34-51	26-39-54				
Two Slot — 1.5" Slot Width <td rowspan="2">Vertical Throw <td rowspan="2">8" Oval Inlet <td rowspan="2">2 ft.</td> <td>CFM</td> <td>195</td> <td>310</td> <td>420</td> <td>530</td> <td>645</td> <td>755</td> <td>870</td> <td>980</td> </td></td>	Vertical Throw <td rowspan="2">8" Oval Inlet <td rowspan="2">2 ft.</td> <td>CFM</td> <td>195</td> <td>310</td> <td>420</td> <td>530</td> <td>645</td> <td>755</td> <td>870</td> <td>980</td> </td>	8" Oval Inlet <td rowspan="2">2 ft.</td> <td>CFM</td> <td>195</td> <td>310</td> <td>420</td> <td>530</td> <td>645</td> <td>755</td> <td>870</td> <td>980</td>	2 ft.	CFM	195	310	420	530	645	755	870	980
				Ps	.027	.066	.123	.198	.290	.400	.527	.672
Pt	.049	.122	.226	.362	.533	.732	.968	1.231				
NC	-	20	26	30	34	37	40	42				
Throw	5-7-14	7-11-21	10-15-29	12-18-36	15-22-39	18-26-43	20-30-46	23-34-49				
Two Slot — 1.5" Slot Width <td rowspan="2">Vertical Throw <td rowspan="2">8" Oval Inlet <td rowspan="2">4 ft.</td> <td>CFM</td> <td>390</td> <td>615</td> <td>840</td> <td>1065</td> <td>1290</td> <td>1510</td> <td>1735</td> <td>1960</td> </td></td>	Vertical Throw <td rowspan="2">8" Oval Inlet <td rowspan="2">4 ft.</td> <td>CFM</td> <td>390</td> <td>615</td> <td>840</td> <td>1065</td> <td>1290</td> <td>1510</td> <td>1735</td> <td>1960</td> </td>	8" Oval Inlet <td rowspan="2">4 ft.</td> <td>CFM</td> <td>390</td> <td>615</td> <td>840</td> <td>1065</td> <td>1290</td> <td>1510</td> <td>1735</td> <td>1960</td>	4 ft.	CFM	390	615	840	1065	1290	1510	1735	1960
				Ps	.038	.095	.176	.283	.415	.572	.753	.960
Pt	.127	.315	.587	.943	1.384	1.899	2.506	3.197				
NC	-	22	28	32	36	39	42	44				
Throw	6-10-19	10-15-30	14-21-41	17-26-51	21-32-56	25-37-60	28-43-65	32-48-69				
Two Slot — 1.5" Slot Width <td rowspan="2">Vertical Throw <td rowspan="2">8" Oval Inlet <td rowspan="2">5 ft.</td> <td>CFM</td> <td>490</td> <td>770</td> <td>1050</td> <td>1330</td> <td>1610</td> <td>1890</td> <td>2170</td> <td>2450</td> </td></td>	Vertical Throw <td rowspan="2">8" Oval Inlet <td rowspan="2">5 ft.</td> <td>CFM</td> <td>490</td> <td>770</td> <td>1050</td> <td>1330</td> <td>1610</td> <td>1890</td> <td>2170</td> <td>2450</td> </td>	8" Oval Inlet <td rowspan="2">5 ft.</td> <td>CFM</td> <td>490</td> <td>770</td> <td>1050</td> <td>1330</td> <td>1610</td> <td>1890</td> <td>2170</td> <td>2450</td>	5 ft.	CFM	490	770	1050	1330	1610	1890	2170	2450
				Ps	.050	.123	.229	.368	.539	.743	.979	1.249
Pt	.190	.469	.871	1.398	2.048	2.823	3.721	4.743				
NC	16	24	29	34	37	40	43	46				
Throw	9-13-22	14-20-34	18-28-46	23-35-57	28-42-62	33-50-68	38-57-72	43-65-77				

FORMATIONS PERFORMANCE DATA
TWO SLOT COMBO BLADE VERTICAL THROW WITH GREENHECK PLENUM

Two Slot — 1.5" Slot Width	Vertical Throw	10" Oval Inlet	2 ft.	CFM	195	310	420	530	645	755	870	980
				Ps	.018	.044	.081	.131	.192	.264	.348	.444
Pt	.029	.072	.134	.214	.315	.433	.573	.729				
NC	-	20	25	29	32	34	37	39				
Throw	5-7-14	7-11-21	10-15-29	12-18-36	15-22-39	18-26-43	20-30-46	23-34-49				
Two Slot — 1.5" Slot Width <td rowspan="2">Vertical Throw <td rowspan="2">10" Oval Inlet <td rowspan="2">4 ft.</td> <td>CFM</td> <td>390</td> <td>615</td> <td>840</td> <td>1065</td> <td>1290</td> <td>1510</td> <td>1735</td> <td>1960</td> </td></td>	Vertical Throw <td rowspan="2">10" Oval Inlet <td rowspan="2">4 ft.</td> <td>CFM</td> <td>390</td> <td>615</td> <td>840</td> <td>1065</td> <td>1290</td> <td>1510</td> <td>1735</td> <td>1960</td> </td>	10" Oval Inlet <td rowspan="2">4 ft.</td> <td>CFM</td> <td>390</td> <td>615</td> <td>840</td> <td>1065</td> <td>1290</td> <td>1510</td> <td>1735</td> <td>1960</td>	4 ft.	CFM	390	615	840	1065	1290	1510	1735	1960
				Ps	.025	.063	.116	.187	.274	.377	.497	.634
Pt	.071	.175	.326	.524	.768	1.054	1.391	1.775				
NC	-	22	27	31	34	36	39	41				
Throw	6-10-19	10-15-30	14-21-41	17-26-51	21-32-56	25-37-60	28-43-65	32-48-69				
Two Slot — 1.5" Slot Width <td rowspan="2">Vertical Throw <td rowspan="2">10" Oval Inlet <td rowspan="2">5 ft.</td> <td>CFM</td> <td>490</td> <td>770</td> <td>1050</td> <td>1330</td> <td>1610</td> <td>1890</td> <td>2170</td> <td>2450</td> </td></td>	Vertical Throw <td rowspan="2">10" Oval Inlet <td rowspan="2">5 ft.</td> <td>CFM</td> <td>490</td> <td>770</td> <td>1050</td> <td>1330</td> <td>1610</td> <td>1890</td> <td>2170</td> <td>2450</td> </td>	10" Oval Inlet <td rowspan="2">5 ft.</td> <td>CFM</td> <td>490</td> <td>770</td> <td>1050</td> <td>1330</td> <td>1610</td> <td>1890</td> <td>2170</td> <td>2450</td>	5 ft.	CFM	490	770	1050	1330	1610	1890	2170	2450
				Ps	.033	.081	.151	.243	.356	.490	.646	.824
Pt	.104	.258	.479	.768	1.126	1.551	2.045	2.607				
NC	16	23	29	32	35	38	40	43				
Throw	9-13-22	14-20-34	18-28-46	23-35-57	28-42-62	33-50-68	38-57-72	43-65-77				
Two Slot — 1.5" Slot Width <td rowspan="2">Vertical Throw <td rowspan="2">12" Oval Inlet <td rowspan="2">2 ft.</td> <td>CFM</td> <td>195</td> <td>310</td> <td>420</td> <td>530</td> <td>645</td> <td>755</td> <td>870</td> <td>980</td> </td></td>	Vertical Throw <td rowspan="2">12" Oval Inlet <td rowspan="2">2 ft.</td> <td>CFM</td> <td>195</td> <td>310</td> <td>420</td> <td>530</td> <td>645</td> <td>755</td> <td>870</td> <td>980</td> </td>	12" Oval Inlet <td rowspan="2">2 ft.</td> <td>CFM</td> <td>195</td> <td>310</td> <td>420</td> <td>530</td> <td>645</td> <td>755</td> <td>870</td> <td>980</td>	2 ft.	CFM	195	310	420	530	645	755	870	980
				Ps	.017	.042	.077	.124	.181	.250	.330	.420
Pt	.024	.059	.109	.174	.256	.352	.466	.593				
NC	-	-	18	23	26	29	32	34				
Throw	5-7-14	7-11-21	10-15-29	12-18-36	15-22-39	18-26-43	20-30-46	23-34-49				
Two Slot — 1.5" Slot Width <td rowspan="2">Vertical Throw <td rowspan="2">12" Oval Inlet <td rowspan="2">4 ft.</td> <td>CFM</td> <td>390</td> <td>615</td> <td>840</td> <td>1065</td> <td>1290</td> <td>1510</td> <td>1735</td> <td>1960</td> </td></td>	Vertical Throw <td rowspan="2">12" Oval Inlet <td rowspan="2">4 ft.</td> <td>CFM</td> <td>390</td> <td>615</td> <td>840</td> <td>1065</td> <td>1290</td> <td>1510</td> <td>1735</td> <td>1960</td> </td>	12" Oval Inlet <td rowspan="2">4 ft.</td> <td>CFM</td> <td>390</td> <td>615</td> <td>840</td> <td>1065</td> <td>1290</td> <td>1510</td> <td>1735</td> <td>1960</td>	4 ft.	CFM	390	615	840	1065	1290	1510	1735	1960
				Ps	.024	.059	.110	.177	.259	.357	.471	.600
Pt	.051	.127	.237	.381	.558	.767	1.012	1.291				
NC	-	-	20	25	28	31	34	36				
Throw	6-10-19	10-15-30	14-21-41	17-26-51	21-32-56	25-37-60	28-43-65	32-48-69				
Two Slot — 1.5" Slot Width <td rowspan="2">Vertical Throw <td rowspan="2">12" Oval Inlet <td rowspan="2">5 ft.</td> <td>CFM</td> <td>490</td> <td>770</td> <td>1050</td> <td>1330</td> <td>1610</td> <td>1890</td> <td>2170</td> <td>2450</td> </td></td>	Vertical Throw <td rowspan="2">12" Oval Inlet <td rowspan="2">5 ft.</td> <td>CFM</td> <td>490</td> <td>770</td> <td>1050</td> <td>1330</td> <td>1610</td> <td>1890</td> <td>2170</td> <td>2450</td> </td>	12" Oval Inlet <td rowspan="2">5 ft.</td> <td>CFM</td> <td>490</td> <td>770</td> <td>1050</td> <td>1330</td> <td>1610</td> <td>1890</td> <td>2170</td> <td>2450</td>	5 ft.	CFM	490	770	1050	1330	1610	1890	2170	2450
				Ps	.031	.077	.143	.230	.337	.464	.612	.780
Pt	.074	.184	.341	.548	.803	1.106	1.458	1.859				
NC	-	16	22	26	30	33	36	38				
Throw	9-13-22	14-20-34	18-28-46	23-35-57	28-42-62	33-50-68	38-57-72	43-65-77				

FORMATIONS PERFORMANCE DATA
TWO SLOT COMBO BLADE VERTICAL THROW WITH GREENHECK PLENUM

Two Slot — 2" Slot Width	Vertical Throw	8" Oval Inlet	2 ft.	CFM	170	260	350	440	530	620	710	800			
				Ps	.044	.104	.188	.296	.430	.589	.772	.980			
				Pt	.061	.143	.259	.409	.594	.812	1.065	1.353			
				NC	-	-	19	23	27	30	32	34			
				Throw	3-5-10	5-8-16	7-11-21	9-13-27	11-16-29	13-19-32	14-22-34	16-24-36			
		8" Oval Inlet	4 ft.	CFM	340	520	700	880	1060	1240	1420	1600			
						Ps	.063	.148	.268	.424	.614	.841	1.103	1.400	
						Pt	.131	.305	.553	.874	1.269	1.736	2.277	2.890	
						NC	-	16	21	25	29	32	34	36	
						Throw	5-7-15	7-11-22	10-15-30	13-19-38	15-23-41	18-27-45	20-31-48	23-34-51	
		8" Oval Inlet	5 ft.	CFM	425	650	875	1100	1325	1550	1775	2000			
						Ps	.082	.192	.348	.551	.799	1.093	1.434	1.820	
						Pt	.187	.438	.794	1.255	1.821	2.492	3.268	4.149	
						NC	-	18	23	27	30	33	36	38	
						Throw	7-10-16	10-15-25	13-20-34	17-25-42	20-31-46	24-36-50	27-41-54	31-46-57	
Two Slot — 2" Slot Width	Vertical Throw	10" Oval Inlet	2 ft.	CFM	170	260	350	440	530	620	710	800			
				Ps	.008	.019	.035	.056	.081	.110	.145	.184			
				Pt	.017	.039	.072	.113	.164	.225	.294	.374			
				NC	-	21	26	29	32	35	37	40			
			Throw	3-5-10	5-8-16	7-11-21	9-13-27	11-16-29	13-19-32	14-22-34	16-24-36				
					4 ft.	CFM	340	520	700	880	1060	1240	1420	1600	
							Ps	.012	.028	.050	.079	.115	.158	.207	.262
							Pt	.046	.108	.196	.309	.449	.614	.806	1.023
							NC	15	23	28	31	34	37	39	42
						Throw	5-7-15	7-11-22	10-15-30	13-19-38	15-23-41	18-27-45	20-31-48	23-34-51	
					5 ft.	CFM	425	650	875	1100	1325	1550	1775	2000	
							Ps	.015	.036	.065	.103	.150	.205	.269	.341
							Pt	.069	.162	.293	.463	.671	.919	1.205	1.529
							NC	17	24	29	33	36	38	41	43
						Throw	7-10-16	10-15-25	13-20-34	17-25-42	20-31-46	24-36-50	27-41-54	31-46-57	

FORMATIONS PERFORMANCE DATA
TWO SLOT COMBO BLADE VERTICAL THROW WITH GREENHECK PLENUM

Two Slot — 2" Slot Width	Vertical Throw	12" Oval Inlet	2 ft.	CFM	170	260	350	440	530	620	710	800
				Ps	.008	.020	.036	.057	.083	.113	.148	.188
Pt	.014	.032	.058	.092	.133	.182	.239	.303				
NC	-	17	22	27	30	33	36	38				
Throw	3-5-10	5-8-16	7-11-21	9-13-27	11-16-29	13-19-32	14-22-34	16-24-36				
Two Slot — 2" Slot Width <td rowspan="2">Vertical Throw <td rowspan="2">12" Oval Inlet <td rowspan="2">4 ft.</td> <td>CFM</td> <td>340</td> <td>520</td> <td>700</td> <td>880</td> <td>1060</td> <td>1240</td> <td>1420</td> <td>1600</td> </td></td>	Vertical Throw <td rowspan="2">12" Oval Inlet <td rowspan="2">4 ft.</td> <td>CFM</td> <td>340</td> <td>520</td> <td>700</td> <td>880</td> <td>1060</td> <td>1240</td> <td>1420</td> <td>1600</td> </td>	12" Oval Inlet <td rowspan="2">4 ft.</td> <td>CFM</td> <td>340</td> <td>520</td> <td>700</td> <td>880</td> <td>1060</td> <td>1240</td> <td>1420</td> <td>1600</td>	4 ft.	CFM	340	520	700	880	1060	1240	1420	1600
				Ps	.012	.028	.051	.081	.118	.161	.212	.269
Pt	.033	.077	.139	.220	.320	.438	.574	.729				
NC	-	19	24	29	32	35	38	40				
Throw	5-7-15	7-11-22	10-15-30	13-19-38	15-23-41	18-27-45	20-31-48	23-34-51				
Two Slot — 2" Slot Width <td rowspan="2">Vertical Throw <td rowspan="2">12" Oval Inlet <td rowspan="2">5 ft.</td> <td>CFM</td> <td>425</td> <td>650</td> <td>875</td> <td>1100</td> <td>1325</td> <td>1550</td> <td>1775</td> <td>2000</td> </td></td>	Vertical Throw <td rowspan="2">12" Oval Inlet <td rowspan="2">5 ft.</td> <td>CFM</td> <td>425</td> <td>650</td> <td>875</td> <td>1100</td> <td>1325</td> <td>1550</td> <td>1775</td> <td>2000</td> </td>	12" Oval Inlet <td rowspan="2">5 ft.</td> <td>CFM</td> <td>425</td> <td>650</td> <td>875</td> <td>1100</td> <td>1325</td> <td>1550</td> <td>1775</td> <td>2000</td>	5 ft.	CFM	425	650	875	1100	1325	1550	1775	2000
				Ps	.016	.037	.067	.106	.153	.210	.275	.349
Pt	.048	.113	.204	.323	.469	.642	.841	1.068				
NC	-	20	26	30	34	37	39	41				
Throw	7-10-16	10-15-25	13-20-34	17-25-42	20-31-46	24-36-50	27-41-54	31-46-57				
Two Slot — 2.5" Slot Width <td rowspan="2">Vertical Throw <td rowspan="2">12" Oval Inlet <td rowspan="2">2 ft.</td> <td>CFM</td> <td>215</td> <td>330</td> <td>440</td> <td>550</td> <td>665</td> <td>775</td> <td>890</td> <td>1000</td> </td></td>	Vertical Throw <td rowspan="2">12" Oval Inlet <td rowspan="2">2 ft.</td> <td>CFM</td> <td>215</td> <td>330</td> <td>440</td> <td>550</td> <td>665</td> <td>775</td> <td>890</td> <td>1000</td> </td>	12" Oval Inlet <td rowspan="2">2 ft.</td> <td>CFM</td> <td>215</td> <td>330</td> <td>440</td> <td>550</td> <td>665</td> <td>775</td> <td>890</td> <td>1000</td>	2 ft.	CFM	215	330	440	550	665	775	890	1000
				Ps	.009	.021	.038	.060	.086	.118	.155	.196
Pt	.017	.041	.073	.114	.166	.226	.297	.376				
NC	-	17	23	27	30	33	36	38				
Throw	4-6-12	6-9-18	8-12-24	10-15-30	12-18-33	14-21-35	16-24-38	18-27-40				
Two Slot — 2.5" Slot Width <td rowspan="2">Vertical Throw <td rowspan="2">12" Oval Inlet <td rowspan="2">4 ft.</td> <td>CFM</td> <td>430</td> <td>655</td> <td>880</td> <td>1105</td> <td>1330</td> <td>1550</td> <td>1775</td> <td>2000</td> </td></td>	Vertical Throw <td rowspan="2">12" Oval Inlet <td rowspan="2">4 ft.</td> <td>CFM</td> <td>430</td> <td>655</td> <td>880</td> <td>1105</td> <td>1330</td> <td>1550</td> <td>1775</td> <td>2000</td> </td>	12" Oval Inlet <td rowspan="2">4 ft.</td> <td>CFM</td> <td>430</td> <td>655</td> <td>880</td> <td>1105</td> <td>1330</td> <td>1550</td> <td>1775</td> <td>2000</td>	4 ft.	CFM	430	655	880	1105	1330	1550	1775	2000
				Ps	.013	.030	.054	.085	.123	.169	.221	.280
Pt	.046	.107	.193	.305	.441	.600	.787	.999				
NC	-	19	25	29	32	35	38	40				
Throw	6-8-17	8-13-25	11-17-34	14-21-42	17-26-46	20-30-50	23-34-54	26-38-57				
Two Slot — 2.5" Slot Width <td rowspan="2">Vertical Throw <td rowspan="2">12" Oval Inlet <td rowspan="2">5 ft.</td> <td>CFM</td> <td>540</td> <td>820</td> <td>1100</td> <td>1380</td> <td>1660</td> <td>1940</td> <td>2220</td> <td>2500</td> </td></td>	Vertical Throw <td rowspan="2">12" Oval Inlet <td rowspan="2">5 ft.</td> <td>CFM</td> <td>540</td> <td>820</td> <td>1100</td> <td>1380</td> <td>1660</td> <td>1940</td> <td>2220</td> <td>2500</td> </td>	12" Oval Inlet <td rowspan="2">5 ft.</td> <td>CFM</td> <td>540</td> <td>820</td> <td>1100</td> <td>1380</td> <td>1660</td> <td>1940</td> <td>2220</td> <td>2500</td>	5 ft.	CFM	540	820	1100	1380	1660	1940	2220	2500
				Ps	.017	.039	.070	.111	.160	.219	.287	.364
Pt	.069	.160	.288	.453	.656	.895	1.173	1.487				
NC	-	21	26	30	34	37	39	41				
Throw	7-11-19	11-17-28	15-23-38	19-28-47	23-34-52	27-40-56	31-46-60	34-52-64				

FORMATIONS PERFORMANCE DATA
TWO SLOT COMBO BLADE VERTICAL THROW WITH GREENHECK PLENUM

Two Slot — 3" Slot Width	Vertical Throw	12" Oval Inlet	2 ft.	CFM	430	595	760	925	1090	1250	1415	1580
				Ps	.022	.042	.068	.101	.139	.185	.236	.294
				Pt	.055	.105	.172	.254	.353	.465	.596	.743
				NC	-	19	24	28	31	34	36	38
				Throw	7-11-21	10-15-30	13-19-35	15-23-39	18-27-42	21-31-45	23-34-48	26-36-51
			4 ft.	CFM	865	1190	1520	1850	2175	2505	2830	3160
				Ps	.031	.060	.097	.144	.199	.264	.337	.420
				Pt	.166	.314	.512	.759	1.049	1.391	1.776	2.214
				NC	16	21	26	30	33	36	38	40
				Throw	10-15-30	14-21-42	18-27-50	22-32-55	25-38-59	29-44-64	33-48-68	37-51-72
			5 ft.	CFM	1080	1490	1900	2310	2720	3130	3540	3950
				Ps	.041	.078	.126	.187	.259	.343	.439	.546
				Pt	.250	.477	.775	1.145	1.588	2.103	2.690	3.350
				NC	17	23	28	31	34	37	39	41
				Throw	14-20-34	19-28-47	24-36-55	29-43-61	34-51-66	39-59-71	44-64-76	50-68-80

FORMATIONS PERFORMANCE DATA
PRESSURIZED CEILING PLENUM WITH COMBO BLADE PATTERN CONTROLLER
HORIZONTAL FLOW

1" Slot Width	1 Slot	CFM/LF	25	40	65	80	95	110	125	140
		Ps	.023	.058	.152	.230	.325	.436	.563	.706
		NC	-	21	35	40	45	49	52	55
		Throw	6-11-15	9-13-19	12-17-24	13-19-27	14-20-29	15-22-31	16-23-33	17-25-35
	2 Slot	CFM/LF	40	60	100	120	145	165	190	210
		Ps	.015	.033	.092	.133	.194	.251	.333	.406
		NC	-	18	30	35	41	44	48	51
		Throw	5-13-19	10-16-23	15-21-30	16-23-33	18-25-36	19-27-38	20-29-41	21-30-43
1.5" Slot Width	1 Slot	CFM/LF	30	50	80	95	115	130	150	170
		Ps	.023	.063	.160	.226	.331	.423	.563	.723
		NC	-	19	31	36	41	45	48	52
		Throw	5-12-16	9-15-21	13-19-27	14-20-29	16-23-32	17-24-34	18-26-36	19-27-39
	2 Slot	CFM/LF	45	75	120	145	175	195	225	255
		Ps	.013	.037	.094	.137	.200	.248	.330	.424
		NC	-	16	26	31	36	39	44	47
		Throw	6-14-20	12-18-26	16-23-33	18-25-36	19-28-39	20-29-41	22-32-45	23-34-47
2" Slot Width	1 Slot	CFM/LF	35	55	90	110	110	155	175	195
		Ps	.025	.061	.162	.242	.242	.481	.613	.761
		NC	-	15	27	33	33	42	46	48
		Throw	4-12-18	9-16-22	14-20-28	15-22-31	15-22-31	18-26-37	19-28-39	20-29-41
	2 Slot	CFM/LF	55	85	135	165	165	235	265	295
		Ps	.015	.037	.093	.139	.139	.283	.360	.446
		NC	-	-	23	28	28	37	41	44
		Throw	4-13-22	9-19-27	16-24-35	19-27-38	19-27-38	22-32-46	24-34-48	25-36-51
2.5" Slot Width	1 Slot	CFM/LF	40	60	100	120	145	165	190	210
		Ps	.025	.056	.156	.225	.329	.426	.564	.689
		NC	-	-	24	29	34	38	42	44
		Throw	4-12-19	8-16-23	14-21--30	16-23-33	18-25-36	19-27-38	20-29-41	21-30-43
	2 Slot	CFM/LF	60	90	150	180	220	250	285	315
		Ps	.014	.033	.091	.130	.195	.252	.327	.400
		NC	-	-	20	24	29	33	37	39
		Throw	3-13-23	7-19-28	15-26-36	19-28-40	22-31-44	22-37-47	25-35-50	26-37-53
3" Slot Width	1 Slot	CFM/LF	45	70	115	145	170	200	225	250
		Ps	.023	.055	.149	.237	.325	.450	.570	.703
		NC	-	-	23	29	33	38	41	44
		Throw	4-12-20	9-18-25	15-23-32	18-25-36	19-27-39	21-30-42	22-32-45	23-33-47
	2 Slot	CFM/LF	70	105	175	220	255	300	340	375
		Ps	.014	.032	.090	.142	.191	.264	.339	.413
		NC	-	-	19	25	28	33	36	39
		Throw	3-14-25	7-20-30	16-28-39	21-31-44	23-34-47	25-36-51	27-39-55	28-41-58

FORMATIONS PERFORMANCE DATA
PRESSURIZED CEILING PLENUM WITH COMBO BLADE PATTERN CONTROLLER
VERTICAL FLOW

1" Slot Width	1 Slot	CFM/LF	50	75	100	120	140	160	180	200
		Ps	.033	.074	.131	.189	.257	.335	.424	.524
		NC	-	20	25	29	32	34	36	38
		Throw	3-11-18	4-15-22	5-18-25	6-19-27	7-21-29	9-22-31	10-24-33	11-25-35
	2 Slot	CFM/LF	75	115	150	180	210	240	270	300
		Ps	.022	.052	.089	.128	.174	.227	.287	.355
		NC	-	18	23	26	29	32	34	36
		Throw	3-12-22	4-18-27	6-22-30	7-24-33	8-26-36	9-27-39	10-29-41	11-30-43
1.5" Slot Width	1 Slot	CFM/LF	65	95	125	150	175	200	225	250
		Ps	.027	.068	.100	.145	.197	.257	.326	.402
		NC	-	18	24	27	30	33	35	37
		Throw	3-12-20	4-17-24	5-20-28	7-22-30	8-23-33	9-25-35	10-26-37	11-28-39
	2 Slot	CFM/LF	110	160	215	255	300	340	385	425
		Ps	.023	.049	.089	.125	.174	.223	.286	.349
		NC	-	18	24	27	30	32	35	37
		Throw	3-14-26	5-21-31	7-26-36	8-28-40	9-30-43	11-32-46	12-35-49	13-36-51
2" Slot Width	1 Slot	CFM/LF	100	150	200	240	280	320	360	400
		Ps	.039	.089	.158	.227	.309	.403	.511	.630
		NC	-	22	27	31	33	36	38	40
		Throw	4-16-25	6-22-30	8-25-35	9-27-39	11-29-42	12-31-45	14-33-47	15-35-50
	2 Slot	CFM/LF	150	225	300	360	420	480	540	600
		Ps	.027	.060	.106	.153	.208	.272	.344	.425
		NC	-	19	25	28	31	34	36	38
		Throw	4-17-30	6-25-37	8-30-43	10-33-47	11-36-51	13-39-55	14-41-58	16-43-61
2.5" Slot Width	1 Slot	CFM/LF	125	190	250	300	350	400	450	500
		Ps	.041	.095	.164	.237	.322	.421	.533	.658
		NC	-	22	27	31	33	36	38	40
		Throw	4-18-28	6-24-34	8-28-39	10-30-43	12-33-47	13-35-50	15-37-53	17-39-56
	2 Slot	CFM/LF	190	285	375	450	525	600	675	750
		Ps	.028	.064	.111	.160	.217	.284	.359	.443
		NC	-	19	25	28	31	34	36	38
		Throw	5-19-34	7-29-42	9-34-48	11-37-53	13-40-57	14-43-61	16-46-65	18-48-68
3" Slot Width	1 Slot	CFM/LF	150	225	300	360	420	480	540	600
		Ps	.047	.106	.189	.272	.370	.484	.612	.756
		NC	-	22	27	31	33	36	38	40
		Throw	5-19-30	7-26-37	9-30-43	11-33-47	13-36-51	15-39-55	17-41-58	18-43-61
	2 Slot	CFM/LF	225	340	450	540	630	720	810	900
		Ps	.032	.073	.128	.184	.250	.327	.413	.510
		NC	-	19	25	28	31	34	36	38
		Throw	5-21-37	7-31-46	10-37-53	12-41-58	14-44-62	16-47-67	18-50-71	20-53-75

PERFORMANCE NOTES FOR FORMATIONS SERIES

All data is tested in accordance with ANSI/ASHRAE 70-2006.

DEFINITION OF UNITS

CFM Cubic Feet per Minute (air)

CFM/LF Cubic Feet per Minute per Linear Foot (air)

Velocity Velocity of air stream in Feet per Minute

Ps Negative static pressure (inches of water column)

NC Noise criterion, sound pressure level NC ratings are based on sound power level (Lw) re: 10^{-12} watts minus a 10dB room attenuation in all octave bands

1. All pressures are given in inches of water.
2. Isothermal throws are given for velocities of 150, 100 and 50 fpm.
3. Throw values are based on a one-way discharge from the slot with the controller set at 0 discharge. For two-way discharges, throw is based upon the number and size of the slots throwing in each direction, with the total supply airflow split equally between all slots in the unit.
4. Data was collected in accordance to ASHRAE Standard 70-2006 "Method of Testing for Rating the Performance of Air Outlets and Inlets."
5. Correction factor tables are only to be used with continuous pressurized ceiling plenum performance data.

Table 1. NC Correction For Length

Length (feet)	2	4	6	8	10
Supply	-2	+0	+2	+3	+5
Return	+0	+3	+5	+6	+8

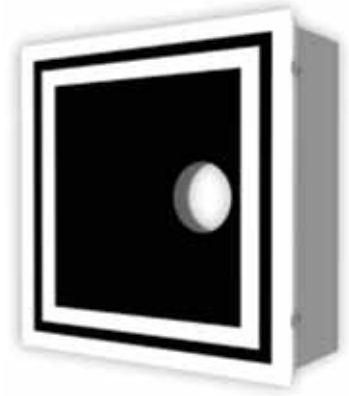
Table 2. Throw Correction Multiplier For Length

Length (feet)	2	4	8	10	12
Throw Correction	0.72	0	1.5	1.7	1.8

MODEL XG-AFLI (INTEGRA)

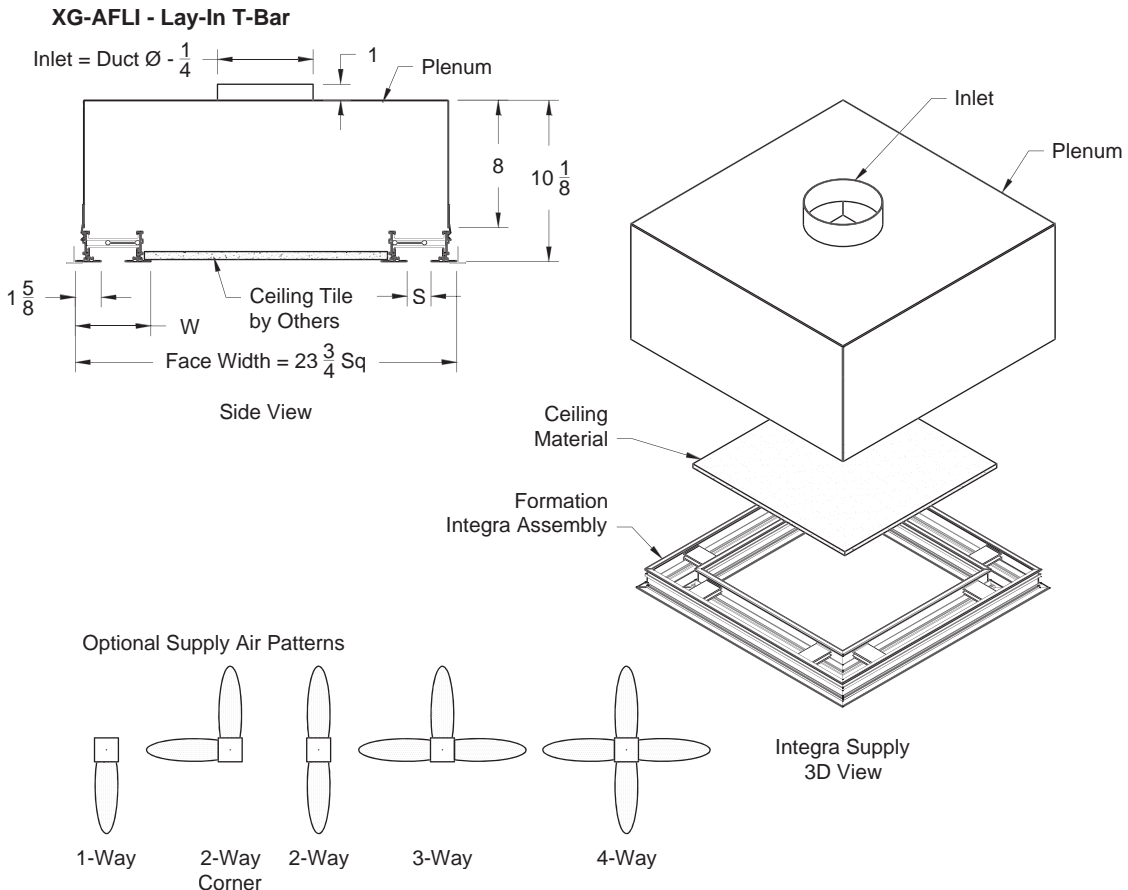
The appeal of Formations Integra is its design. Laying in an acoustical tee bar or hard ceiling, the specified ceiling material becomes the face of the Integra diffuser that fully integrates the ceiling and the diffuser. Integra is available in 1", 1.5" and 2" slot widths. Constructed of extruded aluminum, Integra diffusers are available for either supply or return and can be field adjusted for one-, two-, three- or four-way directional airflow. Air patterns can be adjusted for horizontal or vertical throws.

- Available size – 24 x 24
- Available inlets – 6", 8", 10", 12", 14" or no inlet
- Finish – white face with black interior
- Optional steel center panel



MODEL XG-AFLI

Model: XG-AFLI Integra Supply - Lay-In T-Bar



Models	T-Bar Module	Insulation	Slot Width (S)	Slots	Width (W)	Round Inlets Available
AFLI-10	Lay-In	No	1	1	4 1/4	6, 8, 10, 12
AFLI-15	Lay-In	No	1 1/2	1	4 3/4	6, 8, 10, 12
AFLI-20	Lay-In	No	2	1	5 1/4	6, 8, 10, 12

Standard Finish:

- 02 - Satin Silver Face and Black Interior
- 03 - Black Face and Black Interior
- 20 - White Face and Black Interior
- 28 - Custom Face Color and Black Interior

Optional Finish:

- 28 - Custom Face Color and Black Interior

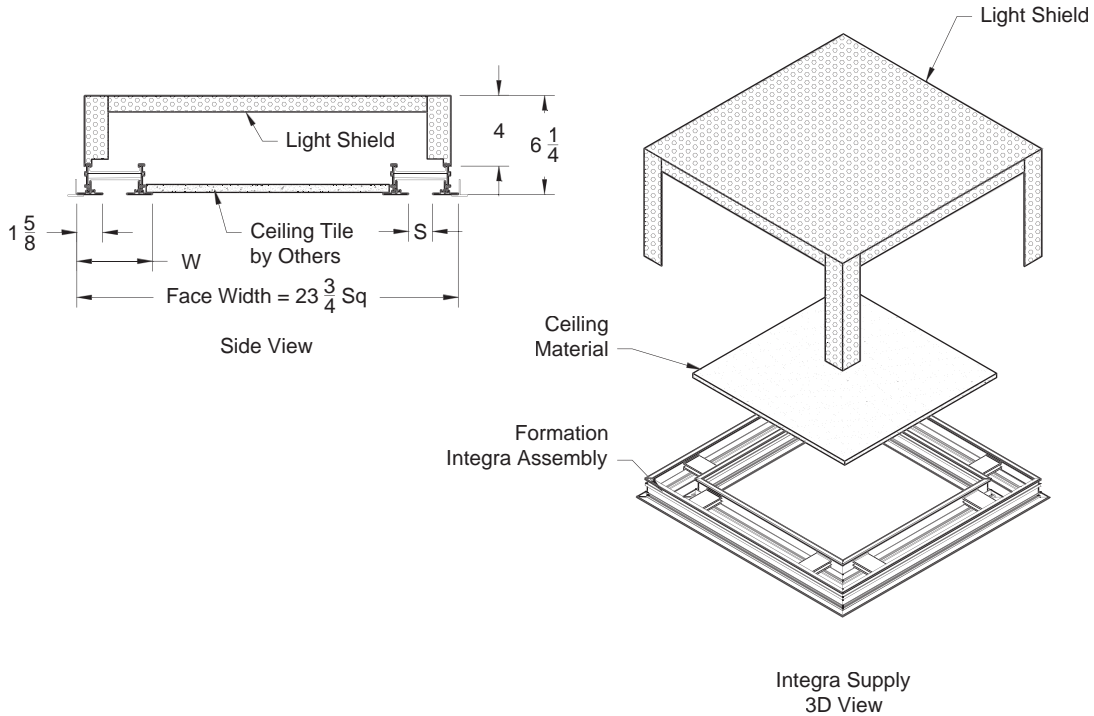
Material Extruded Aluminum
 C - Combo Pattern Controller
 S - Straight Pattern Controller
 Available only in 24x24
 Available in 1 Slot only

All Dimensions $\pm 1/16"$

MODEL XG-AFLIR

Model: XG-AFLIR Integra Return - Lay-In T-Bar

XG-AFLIR - Lay-In T-Bar



Models	T-Bar Module	Insulation	Slot Width (S)	Slots	Width (W)	Round Inlets Available
AFLIR-10	Lay-In	No	1	1	4 1/4	6, 8, 10, 12
AFLIR-15	Lay-In	No	1 1/2	1	4 3/4	6, 8, 10, 12
AFLIR-20	Lay-In	No	2	1	5 1/4	6, 8, 10, 12

Standard Finish:

- 02 - Satin Silver Face and Black Interior
- 03 - Black Face and Black Interior
- 20 - White Face and Black Interior
- 28 - Custom Face Color and Black Interior

Optional Finish:

- 28 - Custom Face Color and Black Interior

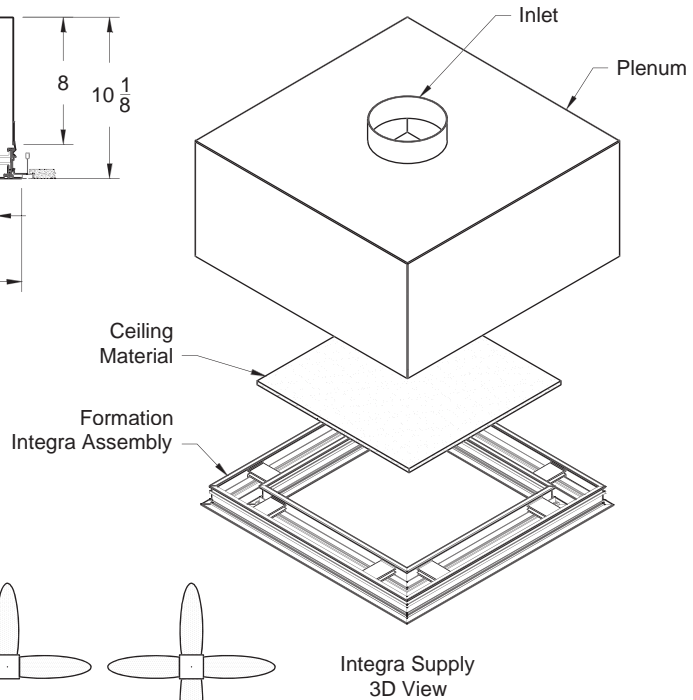
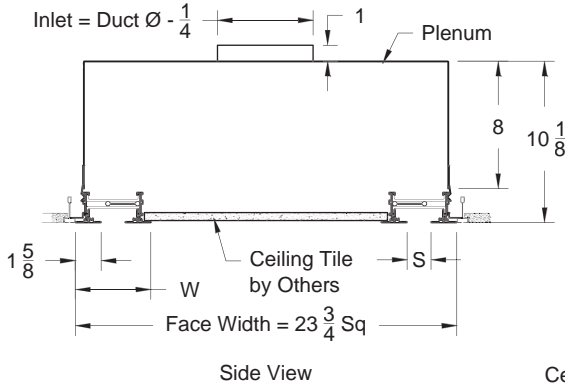
Material Extruded Aluminum
 C - Combo Pattern Controller
 S - Straight Pattern Controller
 Available only in 24x24
 Available in 1 Slot only

All Dimensions ±1/16"

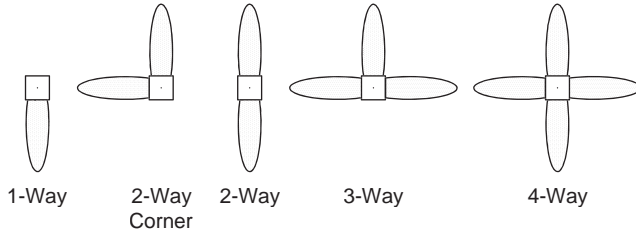
MODEL XG-AFLIB

Model: XG-AFLIB Integra Supply - Bolt Slot / Donn Finline - T-Bar

XG-AFLIB - Bolt Slot / Donn Finline - T-Bar



Optional Supply Air Patterns



Models	T-Bar Module	Insulation	Slot Width (S)	Slots	Width (W)	Round Inlets Available
AFLIB-10	Bolt Slot	No	1	1	4 1/4	6, 8, 10, 12
AFLIB-15	Bolt Slot	No	1 1/2	1	4 3/4	6, 8, 10, 12
AFLIB-20	Bolt Slot	No	2	1	5 1/4	6, 8, 10, 12

Standard Finish:

- 02 - Satin Silver Face and Black Interior
- 03 - Black Face and Black Interior
- 20 - White Face and Black Interior
- 28 - Custom Face Color and Black Interior

Optional Finish:

- 28 - Custom Face Color and Black Interior

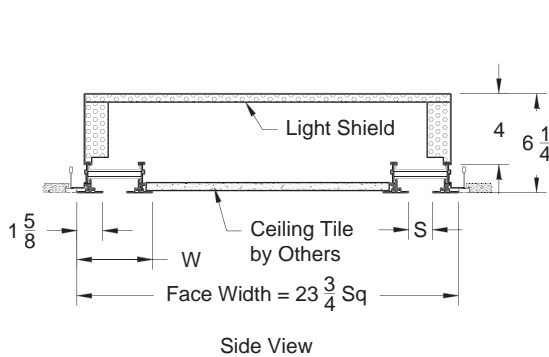
Material Extruded Aluminum
C - Combo Pattern Controller
S - Straight Pattern Controller
Available only in 24x24
Available in 1 Slot only

All Dimensions ±1/16"

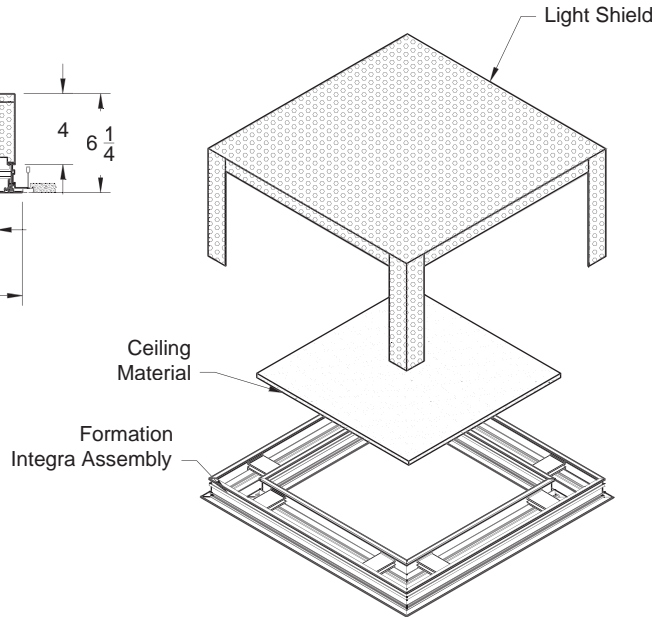
MODEL XG-AFLIBR

Model: XG-AFLIBR Integra Return - Bolt Slot / Donn Finline - T-Bar

XG-AFLIBR - Bolt Slot / Donn Finline - T-Bar



Side View



Integra Supply
3D View

Models	T-Bar Module	Insulation	Slot Width (S)	Slots	Width (W)	Round Inlets Available
AFLIBR-10	Bolt Slot	No	1	1	4 1/4	6, 8, 10, 12
AFLIBR-15	Bolt Slot	No	1 1/2	1	4 3/4	6, 8, 10, 12
AFLIBR-20	Bolt Slot	No	2	1	5 1/4	6, 8, 10, 12

Standard Finish:

- 02 - Satin Silver Face and Black Interior
- 03 - Black Face and Black Interior
- 20 - White Face and Black Interior
- 28 - Custom Face Color and Black Interior

Optional Finish:

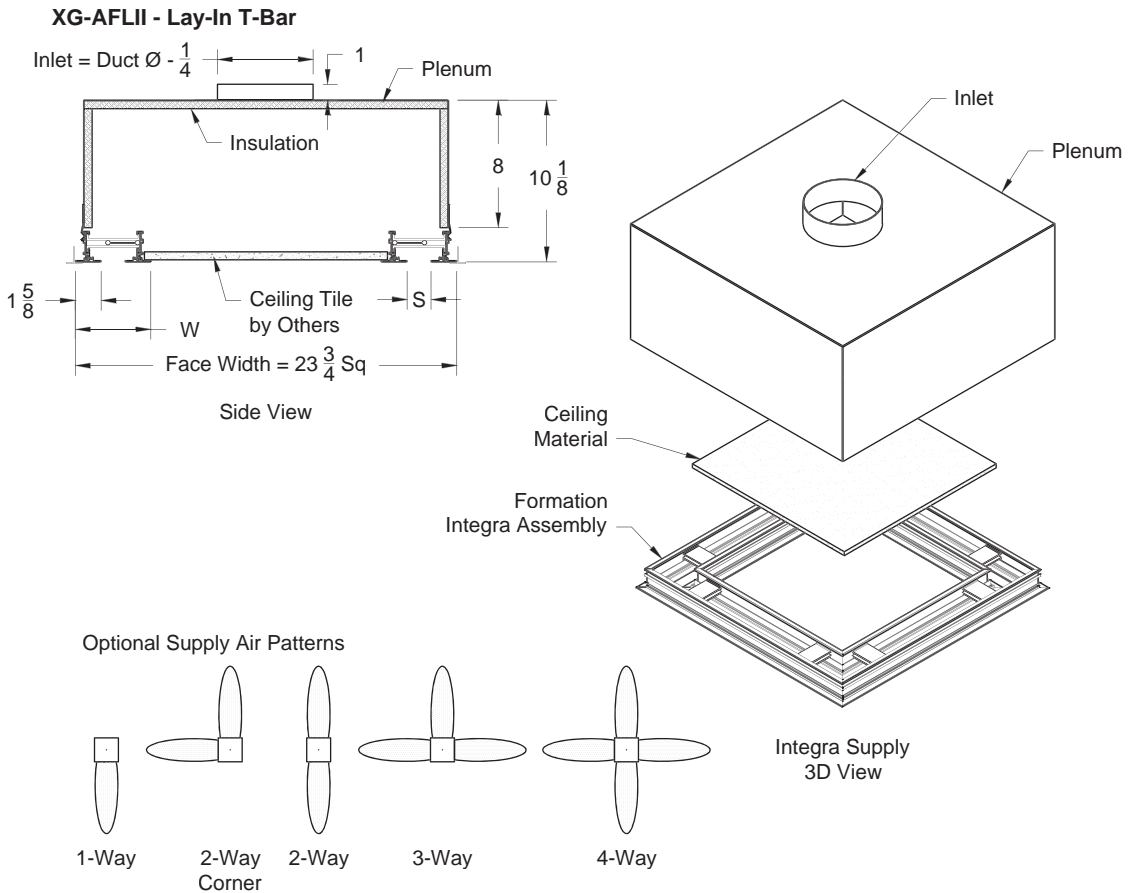
- 28 - Custom Face Color and Black Interior

Material Extruded Aluminum
C - Combo Pattern Controller
S - Straight Pattern Controller
Available only in 24x24
Available in 1 Slot only

All Dimensions $\pm 1/16"$

MODEL XG-AFLII

Model: XG-AFLII Integra Supply with Insulation - Lay-In T-Bar



Models	T-Bar Module	Insulation	Slot Width (S)	Slots	Width (W)	Round Inlets Available
AFLII-10	Lay-In	No	1	1	4 1/4	6, 8, 10, 12
AFLII-15	Lay-In	No	1 1/2	1	4 3/4	6, 8, 10, 12
AFLII-20	Lay-In	No	2	1	5 1/4	6, 8, 10, 12

Standard Finish:

- 02 - Satin Silver Face and Black Interior
- 03 - Black Face and Black Interior
- 20 - White Face and Black Interior
- 28 - Custom Face Color and Black Interior

Optional Finish:

- 28 - Custom Face Color and Black Interior

Material Extruded Aluminum

- C - Combo Pattern Controller
- S - Straight Pattern Controller

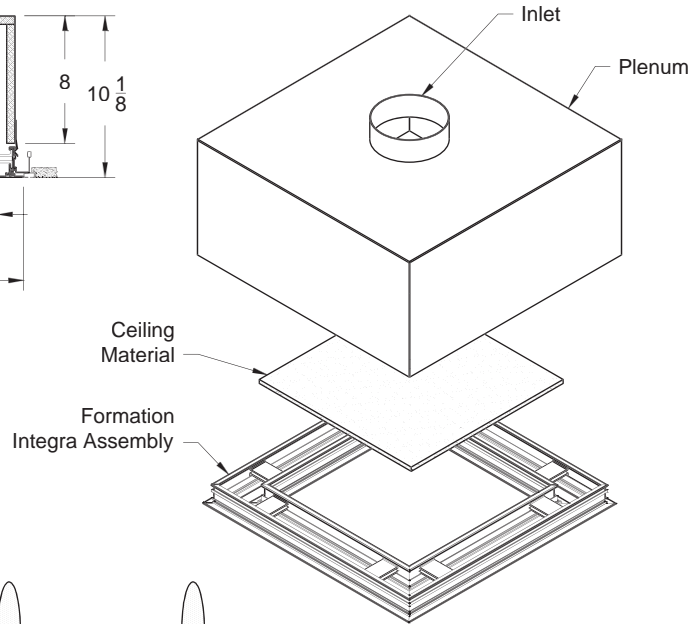
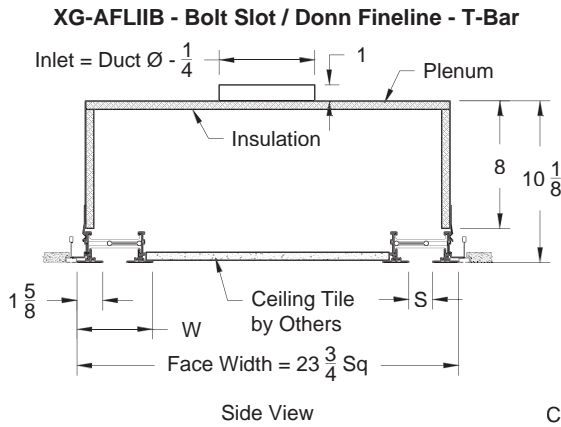
Available only in 24x24

Available in 1 Slot only

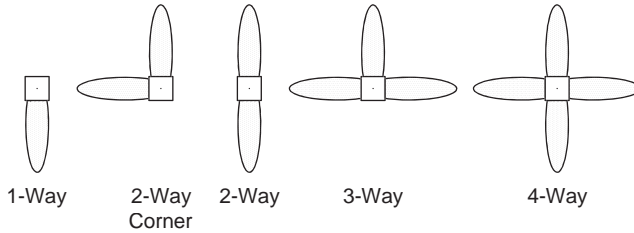
All Dimensions $\pm 1/16"$

MODEL XG-AFLIB

Model: XG-AFLIB Integra Supply with Insulation - Bolt Slot / Donn Finline - T-Bar



Optional Supply Air Patterns



Models	T-Bar Module	Insulation	Slot Width (S)	Slots	Width (W)	Round Inlets Available
AFLIB-10	Bolt Slot	No	1	1	4 1/4	6, 8, 10, 12
AFLIB-15	Bolt Slot	No	1 1/2	1	4 3/4	6, 8, 10, 12
AFLIB-20	Bolt Slot	No	2	1	5 1/4	6, 8, 10, 12

Standard Finish:

- 02 - Satin Silver Face and Black Interior
- 03 - Black Face and Black Interior
- 20 - White Face and Black Interior
- 28 - Custom Face Color and Black Interior

Optional Finish:

- 28 - Custom Face Color and Black Interior

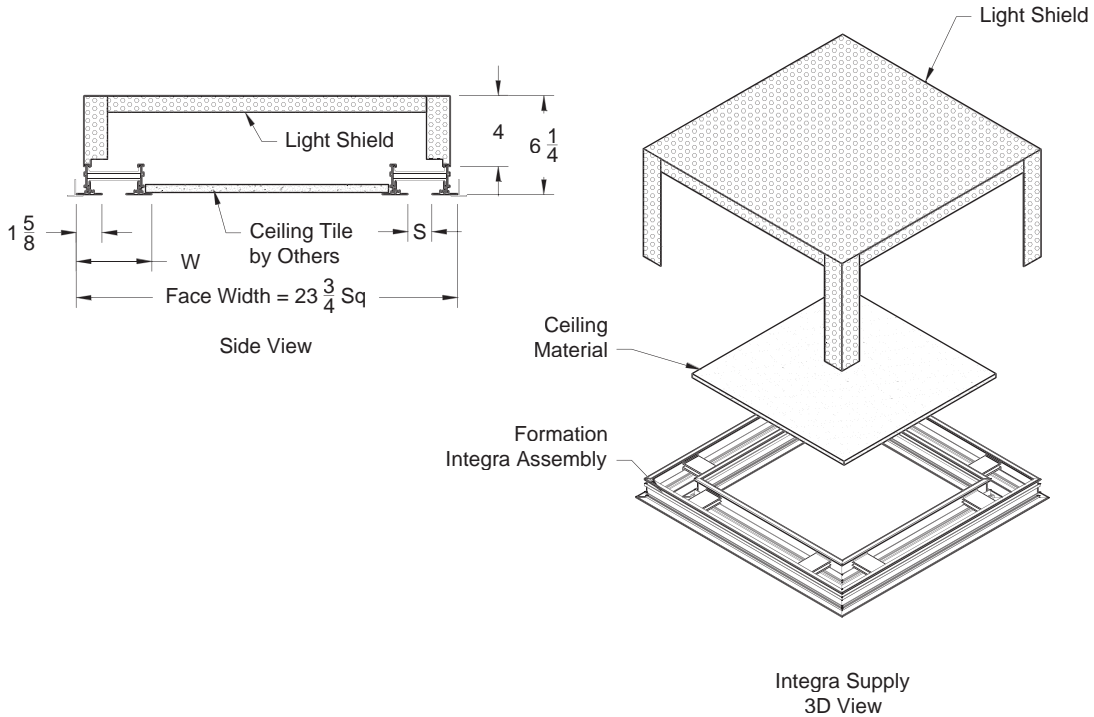
Material Extruded Aluminum
 C - Combo Pattern Controller
 S - Straight Pattern Controller
 Available only in 24x24
 Available in 1 Slot only

All Dimensions ±1/16"

MODEL XG-AFLIBR

Model: XG-AFLIBR Integra Return with Insulation - Bolt Slot / Donn Finline - T-Bar

XG-AFLIBR - Bolt Slot / Donn Finline - T-Bar



Models	T-Bar Module	Insulation	Slot Width (S)	Slots	Width (W)	Round Inlets Available
AFLIBR-10	Lay-In	No	1	1	4 1/4	6, 8, 10, 12
AFLIBR-15	Lay-In	No	1 1/2	1	4 3/4	6, 8, 10, 12
AFLIBR-20	Lay-In	No	2	1	5 1/4	6, 8, 10, 12

Standard Finish:

- 02 - Satin Silver Face and Black Interior
- 03 - Black Face and Black Interior
- 20 - White Face and Black Interior
- 28 - Custom Face Color and Black Interior

Optional Finish:

- 28 - Custom Face Color and Black Interior

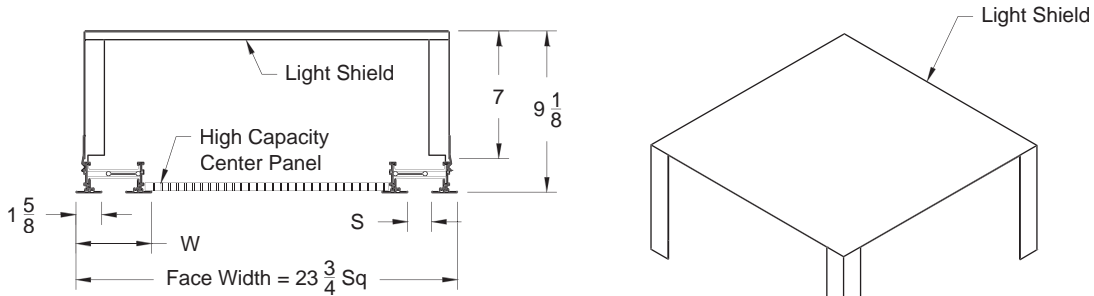
Material Extruded Aluminum
 C - Combo Pattern Controller
 S - Straight Pattern Controller
 Available only in 24x24
 Available in 1 Slot only

All Dimensions ±1/16"

MODEL XG-AFLIH

Model: XG-AFLIH Integra High Capacity Return - Lay-In T-Bar

XG-AFLIH - Lay-In T-Bar

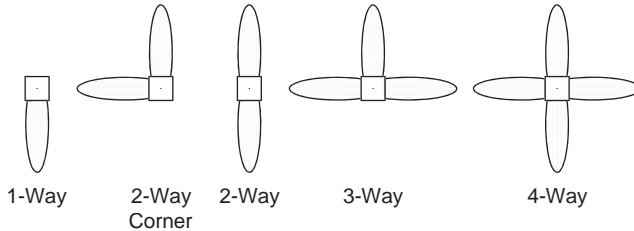


Side View

High Capacity Center Panel
Formation Integra Assembly

Integra Supply 3D View

Optional Supply Air Patterns



1-Way

2-Way
Corner

2-Way

3-Way

4-Way

Models	T-Bar Module	Insulation	Slot Width (S)	Slots	Width (W)	Round Inlets Available
AFLIH-10	Lay-In	No	1	1	4 1/4	6, 8, 10, 12
AFLIH-15	Lay-In	No	1 1/2	1	4 3/4	6, 8, 10, 12
AFLIH-20	Lay-In	No	2	1	5 1/4	6, 8, 10, 12

Standard Finish:

- 02 - Satin Silver Face and Black Interior
- 03 - Black Face and Black Interior
- 20 - White Face and Black Interior
- 28 - Custom Face Color and Black Interior

Optional Finish:

- 28 - Custom Face Color and Black Interior

Material Extruded Aluminum
 C - Combo Pattern Controller
 S - Straight Pattern Controller
 Available only in 24x24
 Available in 1 Slot only

All Dimensions $\pm 1/16"$

FORMATIONS MODEL NUMBER SPECIFICATIONS
ARCHITECTURAL LINEAR

Model	Slot Width	Border Style	Inlet	# of Slots	Length	Finish	Mtg Hdw	Pattern Controller	Available Options	
XG-AFLI	10-1"	AA	NI - No Inlet	1	24 x 24	20 - White/Black	F21	C - Combo	XG-FODR	Face Operated Damper
XG-AFLIH	15-1.5" 20-2"		06			02 - Satin Silver/Black	F22	S - Straight	XG-ID	Inlet Damper
			08			03 - Black/Black	F23		XG-ROD	Remote Operated Damper
			10				F24		XG-CC	Closed Cell Insulation
			12				F25		XG-EI	External Insulation

GREENHECK INTEGRA 24 X 24

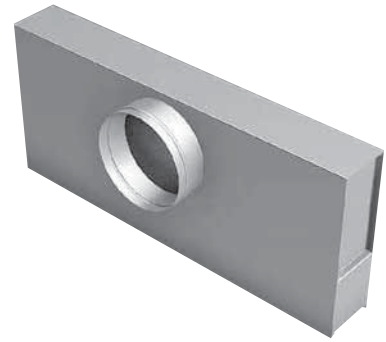
1.5" Slot Width	Four Way Throw	6" Inlet	CFM	80	120	155	190	225	260	300
			Ps	.024	.049	.084	.128	.181	.244	.315
Pt	.035	.072	.123	.187	.264	.355	.459			
NC	-	17	23	28	32	36	39			
Throw	3-5-10	5-7-13	6-9-14	7-11-16	9-2-17	10-13-19	12-14-20			
1.5" Slot Width	Four Way Throw	8" Inlet	CFM	85	120	160	195	230	265	300
			Ps	.013	.026	.043	.065	.091	.122	.157
Pt	.016	.033	.056	.084	.118	.158	.203			
NC	-	18	24	29	33	36	40			
Throw	3-5-10	5-7-13	6-9-15	8-11-16	9-12-18	10-13-19	12-14-20			
1.5" Slot Width	Four Way Throw	10" Inlet	CFM	90	130	165	205	240	275	315
			Ps	0.009	0.018	0.03	0.045	0.063	0.084	0.108
Pt	0.011	0.022	0.036	0.054	0.075	0.1	0.129			
NC	-	19	25	30	34	37	40			
Throw	4-5-11	5-8-13	7-10-15	8-12-17	9-13-18	11-14-19	12-15-21			
1.5" Slot Width	Four Way Throw	12" Inlet	CFM	100	140	175	210	245	280	320
			Ps	.008	.014	.023	.034	.046	.061	.077
Pt	.009	.016	.026	.038	.052	.069	.087			
NC	-	20	26	31	35	38	41			
Throw	4-6-12	5-8-14	7-10-15	8-12-17	10-13-18	11-14-19	12-15-21			
1.5" Slot Width	Three Way Throw	6" Inlet	CFM	70	100	125	155	180	210	235
			Ps	.021	.041	.066	.099	.137	.182	.233
Pt	.029	.056	.092	.137	.190	.252	.323			
NC	-	17	23	28	32	35	39			
Throw	2-4-7	3-5-10	4-6-13	5-8-14	6-9-16	7-10-17	8-12-18			
1.5" Slot Width	Three Way Throw	8" Inlet	CFM	75	105	130	160	190	215	245
			Ps	.012	.022	.035	.052	.072	.095	.121
Pt	.015	.027	.044	.065	.090	.118	.151			
NC	-	18	24	29	33	36	39			
Throw	3-4-8	3-5-10	4-7-13	5-8-15	6-9-16	7-11-17	8-12-18			
1.5" Slot Width	Three Way Throw	10" Inlet	CFM	75	105	135	165	195	225	255
			Ps	0.007	0.014	0.023	0.035	0.049	0.065	0.084
Pt	0.008	0.016	0.027	0.041	0.057	0.076	0.097			
NC	-	18	24	29	34	37	40			
Throw	2-4-7	3-5-10	4-7-13	5-8-15	6-10-16	7-11-17	8-13-18			
1.5" Slot Width	Three Way Throw	12" Inlet	CFM	70	105	135	165	195	225	260
			Ps	.005	.009	.016	.024	.034	.046	.060
Pt	.005	.011	.018	.027	.038	.051	.066			
NC	-	18	24	29	34	38	41			
Throw	2-4-7	3-5-10	4-7-13	5-8-15	7-10-16	8-11-17	9-13-19			

**LINEAR DIFFUSERS
AND GRILLES**
**FORMATIONS
LINEAR DIFFUSERS**
XG-AFLI

MODEL XG-UP-AFL

The Formations plenum, model XG-UP-AFL, is designed to connect model XG-AFL to the ducted supply or return system. The XG-UP-AFL is constructed from coated steel and is offered with standard 6" round inlet and oval inlets up to 14". The overall height of the plenum is 10 1/2".

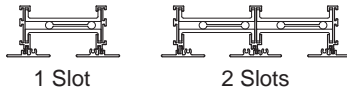
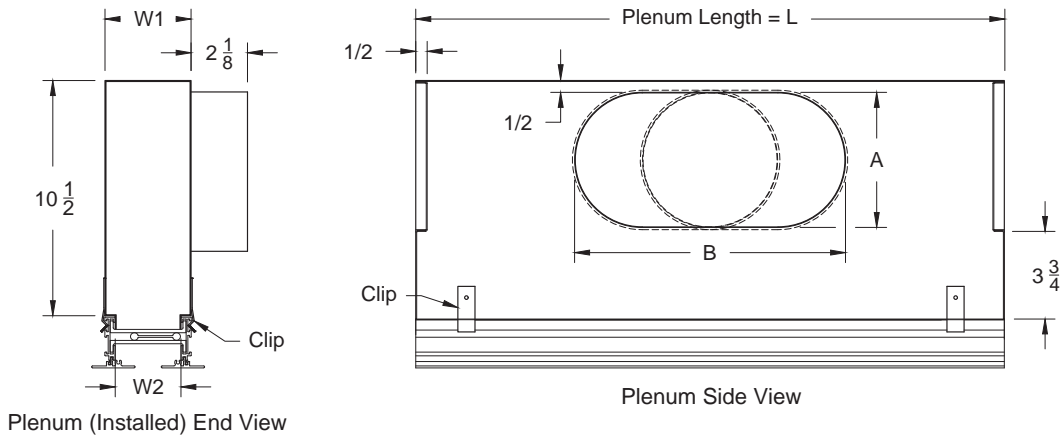
- Available with 1/2" insulation, model XG-UPI-AFL
- Optional external insulation, EI, and internal closed cell insulation, CC, are also available
- Standard inlet sizes 6", 8", 10", 12", 14" or NI (no inlet)
- Available in 24", 36", 48", 60" and 72" lengths



MODEL XG-UP-AFL-10

Model: XG-UP-AFL-10 Linear Diffuser Plenum - 1" Slot - Non Insulated

XG-UP-AFL-10 - 1" Slot - Non Insulated



Models	Slot Width	Number of Slots	W1	W2
XG-UP-AFL-10	1	1	3 1/4	2 1/4
XG-UP-AFL-10	1	2	6 3/16	5 3/16

Inlet Chart				Length
Size	Type	A	B	
6	Round	5 7/8	-	L
7	Oval	5 7/8	7 1/4	24
8	Oval	5 7/8	8 3/8	36
9	Oval	5 7/8	10	48
10	Oval	5 7/8	11 9/16	60
12	Oval	5 7/8	14 13/16	72
14	Oval	5 7/8	17 13/16	

L = Listed Size ± Linear End Types								
Model	Frame Type	2-EB	1-EB	OO	1-EC	2-EC	MM	MO
XG-UP-AFL-10	-1	- 1/4	- 1/4	- 1/4	- 1/4	- 1/4	- 1/4	- 1/4
XG-UP-AFL-10	-6	- 2 1/4	- 1	0	- 1/8	- 1/4	- 1 1/4	- 5/8

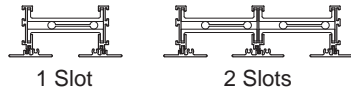
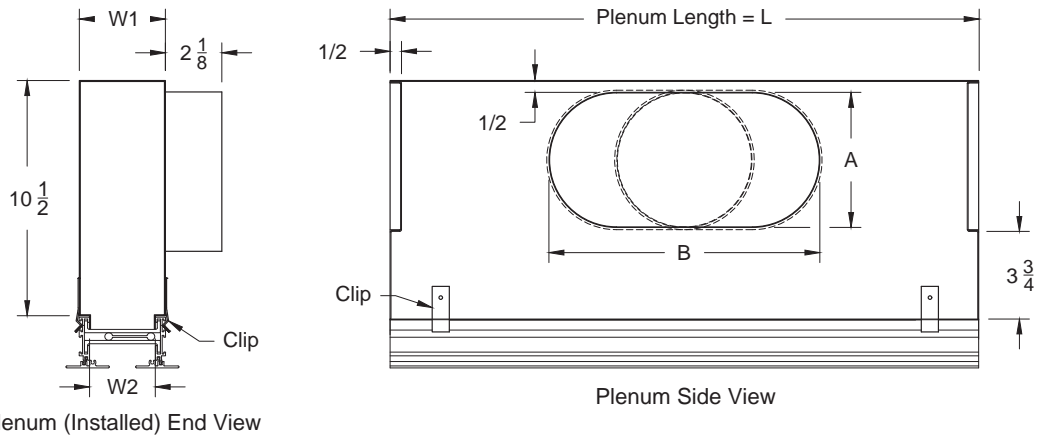
1. Available Finishes	2. Available Accessories	3. Available Options	4. Construction Details
	XG-FODR - Face Operated Damper Rod XG-ID - Inlet Damper XG-LQ - Locking Quadrant Damper XG-ROD - Remote Operated Damper	1EC - (1) End Cap 2EC - (2) End Caps 1EB - (1) End Border 2EB - (2) End Borders OO - Open / Open	<ul style="list-style-type: none"> Standard Lengths: 24, 36, 48, 60, 72 Custom Length available for extra charge 12" minimum – 72" maximum NI - No Inlet

All Dimensions ±1/16"

MODEL XG-UP-AFL-15

Model: XG-UP-AFL-15 Linear Diffuser Plenum - 1 1/2" Slot - Non Insulated

XG-UP-AFL-15 - 1 1/2" Slot - Non Insulated



Models	Slot Width	Number of Slots	W1	W2
XG-UP-AFL-15	1 1/2"	1	3 3/4"	2 3/4"
XG-UP-AFL-15	1 1/2"	2	7 3/16"	6 3/16"

Inlet Chart				Length
Size	Type	A	B	
6	Round	5 7/8"	-	L
7	Oval	5 7/8"	7 1/4"	24
8	Oval	5 7/8"	8 3/8"	36
9	Oval	5 7/8"	10"	48
10	Oval	5 7/8"	11 9/16"	60
12	Oval	5 7/8"	14 13/16"	72
14	Oval	5 7/8"	17 13/16"	

L = Listed Size ± Linear End Types								
Model	Frame Type	2-EB	1-EB	OO	1-EC	2-EC	MM	MO
XG-UP-AFL-15	-1	- 1/4"	- 1/4"	- 1/4"	- 1/4"	- 1/4"	- 1/4"	- 1/4"
XG-UP-AFL-15	-6	- 2 1/4"	-1"	0	-1/8"	-1/4"	-1 1/4"	-5/8"

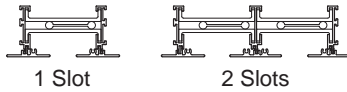
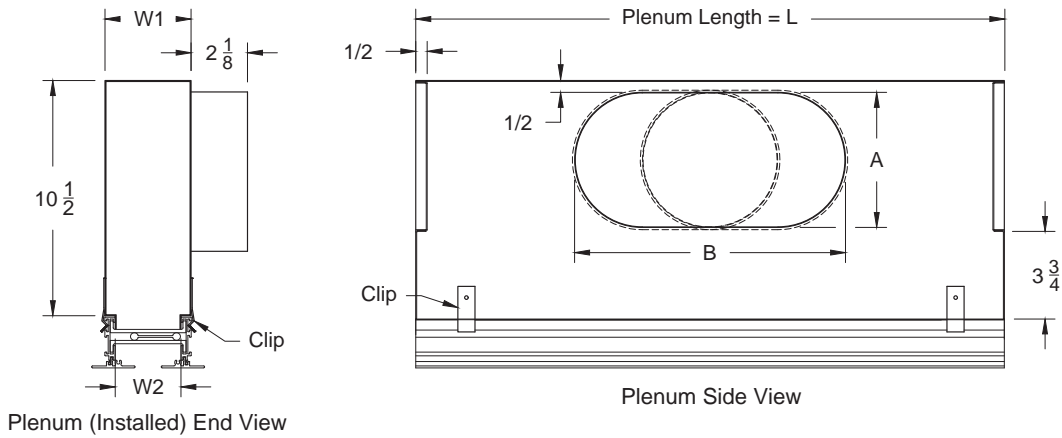
1. Available Finishes	2. Available Accessories	3. Available Options	4. Construction Details
	XG-FODR - Face Operated Damper Rod XG-ID - Inlet Damper XG-LQ - Locking Quadrant Damper XG-ROD - Remote Operated Damper	1EC - (1) End Cap 2EC - (2) End Caps 1EB - (1) End Border 2EB - (2) End Borders OO - Open / Open	<ul style="list-style-type: none"> Standard Lengths: 24, 36, 48, 60, 72 Custom Length available for extra charge 12" minimum – 72" maximum NI - No Inlet

All Dimensions ±1/16"

MODEL XG-UP-AFL-20

Model: XG-UP-AFL-20 Linear Diffuser Plenum - 2" Slot - Non Insulated

XG-UP-AFL-20 - 2" Slot - Non Insulated



Models	Slot Width	Number of Slots	W1	W2
XG-UP-AFL-20	2	1	4 1/4	3 1/4
XG-UP-AFL-20	2	2	8 3/16	7 3/16

Inlet Chart				Length
Size	Type	A	B	
6	Round	5 7/8	-	L
7	Oval	5 7/8	7 1/4	24
8	Oval	5 7/8	8 3/8	36
9	Oval	5 7/8	10	48
10	Oval	5 7/8	11 9/16	60
12	Oval	5 7/8	14 13/16	72
14	Oval	5 7/8	17 13/16	

L = Listed Size ± Linear End Types								
Model	Frame Type	2-EB	1-EB	OO	1-EC	2-EC	MM	MO
XG-UP-AFL-20	-1	- 1/4	- 1/4	- 1/4	- 1/4	- 1/4	- 1/4	- 1/4
XG-UP-AFL-20	-6	- 2 1/4	- 1	0	- 1/8	- 1/4	- 1 1/4	- 5/8

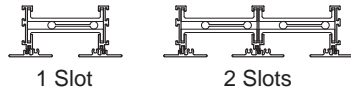
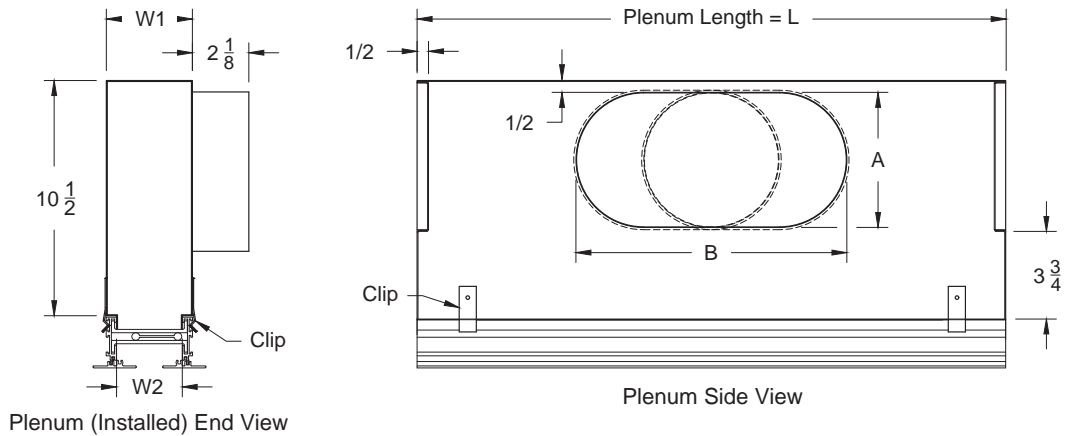
1. Available Finishes	2. Available Accessories	3. Available Options	4. Construction Details
	XG-FODR - Face Operated Damper Rod XG-ID - Inlet Damper XG-LQ - Locking Quadrant Damper XG-ROD - Remote Operated Damper	1EC - (1) End Cap 2EC - (2) End Caps 1EB - (1) End Border 2EB - (2) End Borders OO - Open / Open	<ul style="list-style-type: none"> Standard Lengths: 24, 36, 48, 60, 72 Custom Length available for extra charge 12" minimum – 72" maximum NI - No Inlet

All Dimensions ±1/16"

MODEL XG-UP-AFL-25

Model: XG-UP-AFL-25 Linear Diffuser Plenum - 2 1/2" Slot - Non Insulated

XG-UP-AFL-25 - 2 1/2" Slot - Non Insulated



Models	Slot Width	Number of Slots	W1	W2
XG-UP-AFL-25	2 1/2	1	5 3/4	4 3/4
XG-UP-AFL-25	2 1/2	2	11 3/16	10 3/16

Inlet Chart				Length
Size	Type	A	B	
6	Round	5 7/8	-	L
7	Oval	5 7/8	7 1/4	24
8	Oval	5 7/8	8 3/8	36
9	Oval	5 7/8	10	48
10	Oval	5 7/8	11 9/16	60
12	Oval	5 7/8	14 13/16	72
14	Oval	5 7/8	17 13/16	

L = Listed Size ± Linear End Types								
Model	Frame Type	2-EB	1-EB	OO	1-EC	2-EC	MM	MO
XG-UP-AFL-25	-1	- 1/4	- 1/4	- 1/4	- 1/4	- 1/4	- 1/4	- 1/4
XG-UP-AFL-25	-6	- 2 1/4	-1	0	-1/8	-1/4	-1 1/4	-5/8

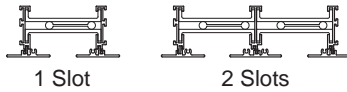
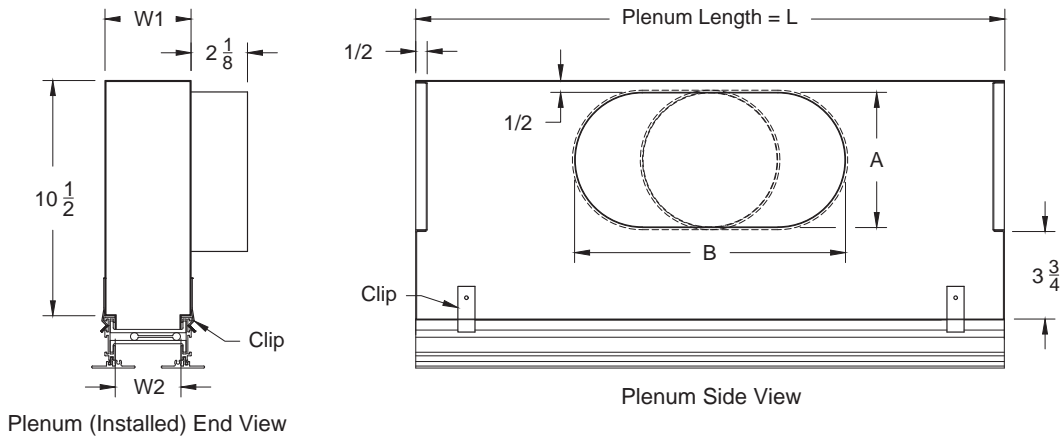
1. Available Finishes	2. Available Accessories	3. Available Options	4. Construction Details
	XG-FODR - Face Operated Damper Rod XG-ID - Inlet Damper XG-LQ - Locking Quadrant Damper XG-ROD - Remote Operated Damper	1EC - (1) End Cap 2EC - (2) End Caps 1EB - (1) End Border 2EB - (2) End Borders OO - Open / Open	<ul style="list-style-type: none"> Standard Lengths: 24, 36, 48, 60, 72 Custom Length available for extra charge 12" minimum – 72" maximum NI - No Inlet

All Dimensions ±1/16"

MODEL XG-UP-AFL-30

Model: XG-UP-AFL-30 Linear Diffuser Plenum - 3" Slot - Non Insulated

XG-UP-AFL-30 - 3" Slot - Non Insulated



Models	Slot Width	Number of Slots	W1	W2
XG-UP-AFL-30	3	1	6 1/4	5 1/4
XG-UP-AFL-30	3	2	12 3/16	11 3/16

Inlet Chart				Length
Size	Type	A	B	
6	Round	5 7/8	-	L
7	Oval	5 7/8	7 1/4	24
8	Oval	5 7/8	8 3/8	36
9	Oval	5 7/8	10	48
10	Oval	5 7/8	11 9/16	60
12	Oval	5 7/8	14 13/16	72
14	Oval	5 7/8	17 13/16	

L = Listed Size ± Linear End Types								
Model	Frame Type	2-EB	1-EB	OO	1-EC	2-EC	MM	MO
XG-UP-AFL-30	-1	- 1/4	- 1/4	- 1/4	- 1/4	- 1/4	- 1/4	- 1/4
XG-UP-AFL-30	-6	- 2 1/4	-1	0	-1/8	-1/4	-1 1/4	-5/8

1. Available Finishes	2. Available Accessories	3. Available Options	4. Construction Details
	XG-FODR - Face Operated Damper Rod XG-ID - Inlet Damper XG-LQ - Locking Quadrant Damper XG-ROD - Remote Operated Damper	1EC - (1) End Cap 2EC - (2) End Caps 1EB - (1) End Border 2EB - (2) End Borders OO - Open / Open	<ul style="list-style-type: none"> Standard Lengths: 24, 36, 48, 60, 72 Custom Length available for extra charge 12" minimum – 72" maximum NI - No Inlet

All Dimensions ±1/16"

MODEL XG-UP-AFLC

The Formations hemmed plenum, model XG-UP-AFLC, is designed to connect model XG-AFLC to the ducted supply or return system. The XG-UP-AFLC is constructed from coated steel and is offered with standard 6" round inlet and oval inlets up to 14". The overall height of the plenum is 10.5".

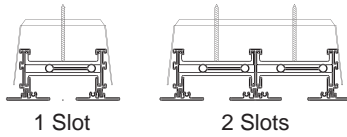
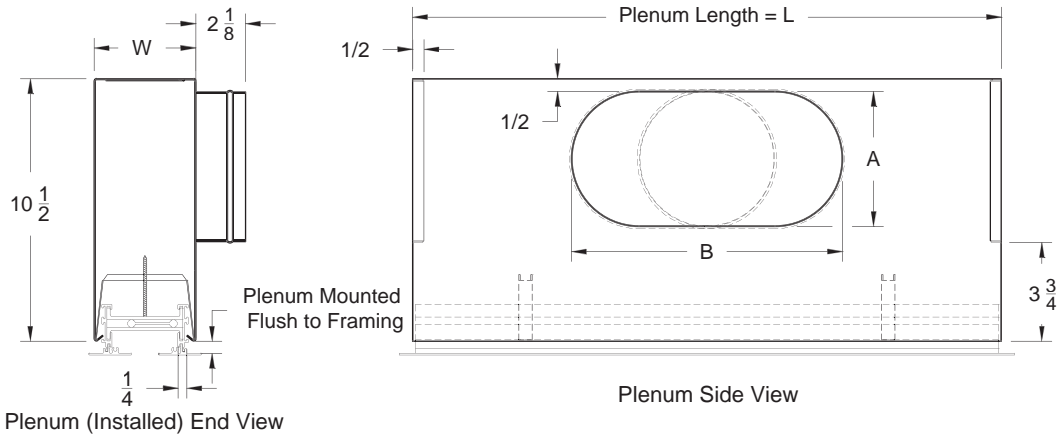
- Available with 1/2" insulation, model XG-UPI-AFLC
- Optional external insulation, EI, and internal closed cell insulation, CC, are also available
- Standard inlet sizes 6", 8", 10", 12", 14" or NI (no inlet)
- Available in 24", 36", 48", 60" and 72" lengths



MODEL XG-UP-AFLC-10

Model: XG-UP-AFLC-10 Linear Diffuser Plenum with Concealed Mounting - 1" Slot - Non Insulated

XG-UP-AFLC-10 - 1" Slot - Non Insulated



Models	Slot Width	Number of Slots	W (Width)
UP-AFLC-10	1	1	3 3/4
UP-AFLC-10	1	2	6 11/16

Inlet Chart				Length
Size	Type	A	B	
6	Round	5 7/8	-	L
7	Oval	5 7/8	7 1/4	24
8	Oval	5 7/8	8 3/8	36
9	Oval	5 7/8	10	48
10	Oval	5 7/8	11 9/16	60
12	Oval	5 7/8	14 13/16	72
14	Oval	5 7/8	17 13/16	

L = Listed Size ± Linear End Types								
Model	Frame Type	2-EB	1-EB	OO	1-EC	2-EC	MM	MO
UP-AFLC-10	-1	- 1/16	- 1/16	- 1/16	- 1/16	- 1/16	- 1/16	- 1/16
UP-AFLC-10	-6	- 2 1/4	- 1 1/8	0	- 1/8	- 1/4	- 1 1/8	- 5/8

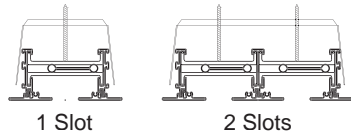
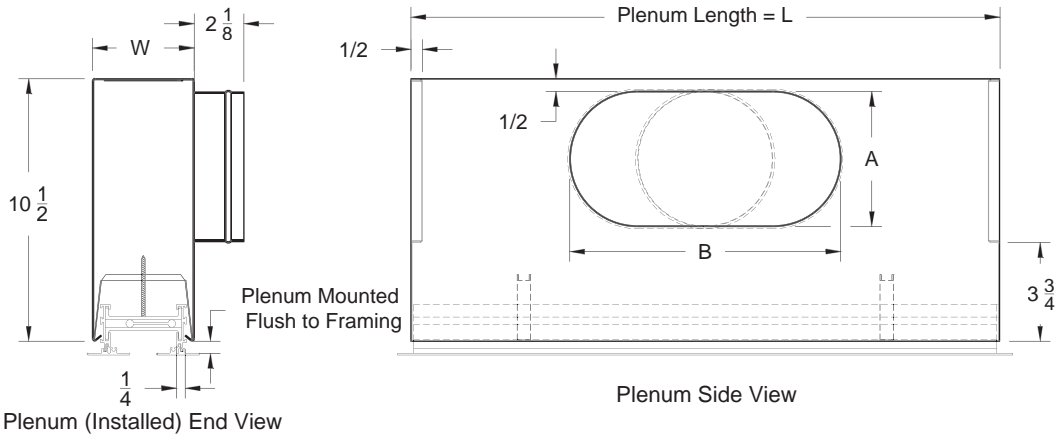
1. Available Finishes	2. Available Accessories	3. Available Options	4. Construction Details
	XG-FODR - Face Operated Damper Rod XG-ID - Inlet Damper XG-LQ - Locking Quadrant Damper XG-ROD - Remote Operated Damper	1EC - (1) End Cap 2EC - (2) End Caps 1EB - (1) End Border 2EB - (2) End Borders OO - Open / Open	<ul style="list-style-type: none"> Standard Lengths: 24, 36, 48, 60, 72 Custom Length available for extra charge 12" minimum – 72" maximum NI - No Inlet

All Dimensions ±1/16"

MODEL XG-UP-AFLC-15

Model: XG-UP-AFLC-15 Linear Diffuser Plenum with Concealed Mounting - 1 1/2" Slot - Non Insulated

XG-UP-AFLC-15 - 1 1/2" Slot - Non Insulated



Models	Slot Width	Number of Slots	W (Width)
UP-AFLC-15	1 1/2	1	4 1/4
UP-AFLC-15	1 1/2	2	7 11/16

Inlet Chart				Length
Size	Type	A	B	
6	Round	5 7/8	-	L
7	Oval	5 7/8	7 1/4	24
8	Oval	5 7/8	8 3/8	36
9	Oval	5 7/8	10	48
10	Oval	5 7/8	11 9/16	60
12	Oval	5 7/8	14 13/16	72
14	Oval	5 7/8	17 13/16	

L = Listed Size ± Linear End Types								
Model	Frame Type	2-EB	1-EB	OO	1-EC	2-EC	MM	MO
UP-AFLC-15	-1	- 1/16	- 1/16	- 1/16	- 1/16	- 1/16	- 1/16	- 1/16
UP-AFLC-15	-6	- 2 1/4	- 1 1/8	0	- 1/8	- 1/4	- 1 1/8	- 5/8

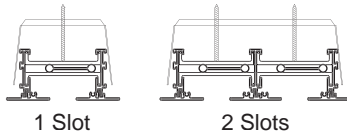
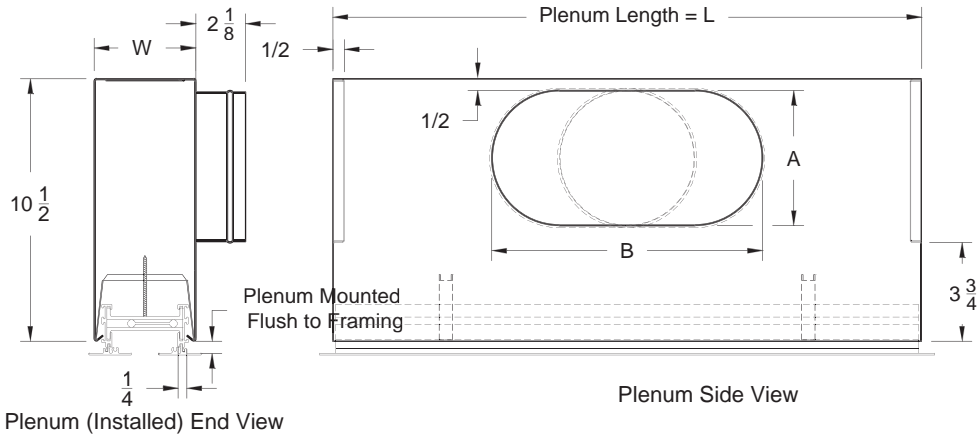
1. Available Finishes	2. Available Accessories	3. Available Options	4. Construction Details
	XG-FODR - Face Operated Damper Rod XG-ID - Inlet Damper XG-LQ - Locking Quadrant Damper XG-ROD - Remote Operated Damper	1EC - (1) End Cap 2EC - (2) End Caps 1EB - (1) End Border 2EB - (2) End Borders OO - Open / Open	<ul style="list-style-type: none"> Standard Lengths: 24, 36, 48, 60, 72 Custom Length available for extra charge 12" minimum – 72" maximum NI - No Inlet

All Dimensions ±1/16"

MODEL XG-UP-AFLC-20

Model: XG-UP-AFLC-20 Linear Diffuser Plenum with Concealed Mounting - 2" Slot - Non Insulated

XG-UP-AFLC-20 - 2" Slot - Non Insulated



Models	Slot Width	Number of Slots	W (Width)
UP-AFLC-20	2	1	4 3/4
UP-AFLC-20	2	2	7 11/16

Inlet Chart				Length
Size	Type	A	B	
6	Round	5 7/8	-	L
7	Oval	5 7/8	7 1/4	24
8	Oval	5 7/8	8 3/8	36
9	Oval	5 7/8	10	48
10	Oval	5 7/8	11 9/16	60
12	Oval	5 7/8	14 13/16	72
14	Oval	5 7/8	17 13/16	

L = Listed Size ± Linear End Types								
Model	Frame Type	2-EB	1-EB	OO	1-EC	2-EC	MM	MO
UP-AFLC-20	-1	- 1/16	- 1/16	- 1/16	- 1/16	- 1/16	- 1/16	- 1/16
UP-AFLC-20	-6	- 2 1/4	- 1 1/8	0	- 1/8	- 1/4	- 1 1/8	- 5/8

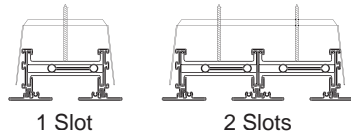
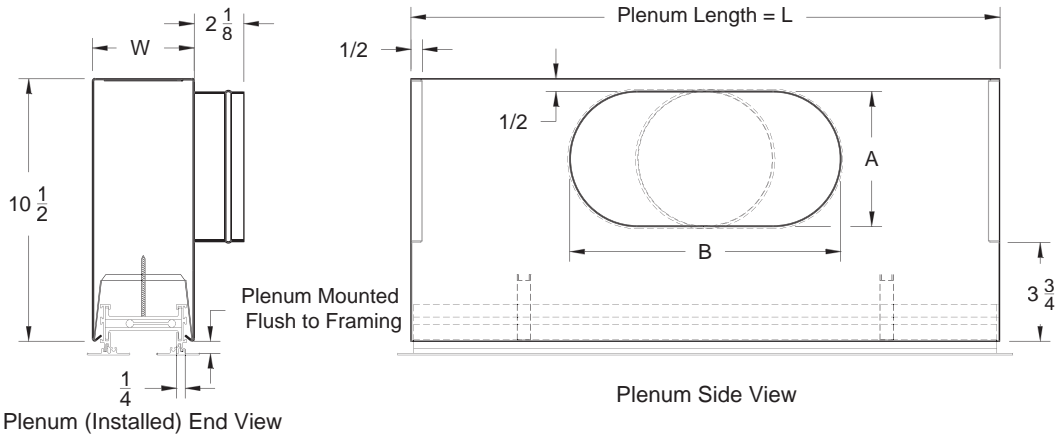
1. Available Finishes	2. Available Accessories	3. Available Options	4. Construction Details
	XG-FODR - Face Operated Damper Rod XG-ID - Inlet Damper XG-LQ - Locking Quadrant Damper XG-ROD - Remote Operated Damper	1EC - (1) End Cap 2EC - (2) End Caps 1EB - (1) End Border 2EB - (2) End Borders OO - Open / Open	<ul style="list-style-type: none"> Standard Lengths: 24, 36, 48, 60, 72 Custom Length available for extra charge 12" minimum – 72" maximum NI - No Inlet

All Dimensions ±1/16"

MODEL XG-UP-AFLC-25

Model: XG-UP-AFLC-25 Linear Diffuser Plenum with Concealed Mounting - 2 1/2" Slot - Non Insulated

XG-UP-AFLC-25 - 2 1/2" Slot - Non Insulated



Models	Slot Width	Number of Slots	W (Width)
UP-AFLC-25	2 1/2	1	6 1/4
UP-AFLC-25	2 1/2	2	11 11/16

Inlet Chart				Length
Size	Type	A	B	
6	Round	5 7/8	-	L
7	Oval	5 7/8	7 1/4	24
8	Oval	5 7/8	8 3/8	36
9	Oval	5 7/8	10	48
10	Oval	5 7/8	11 9/16	60
12	Oval	5 7/8	14 13/16	72
14	Oval	5 7/8	17 13/16	

L = Listed Size ± Linear End Types								
Model	Frame Type	2-EB	1-EB	OO	1-EC	2-EC	MM	MO
UP-AFLC-25	-1	- 1/16	- 1/16	- 1/16	- 1/16	- 1/16	- 1/16	- 1/16
UP-AFLC-25	-6	- 2 1/4	- 1 1/8	0	- 1/8	- 1/4	- 1 1/8	- 5/8

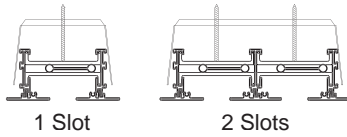
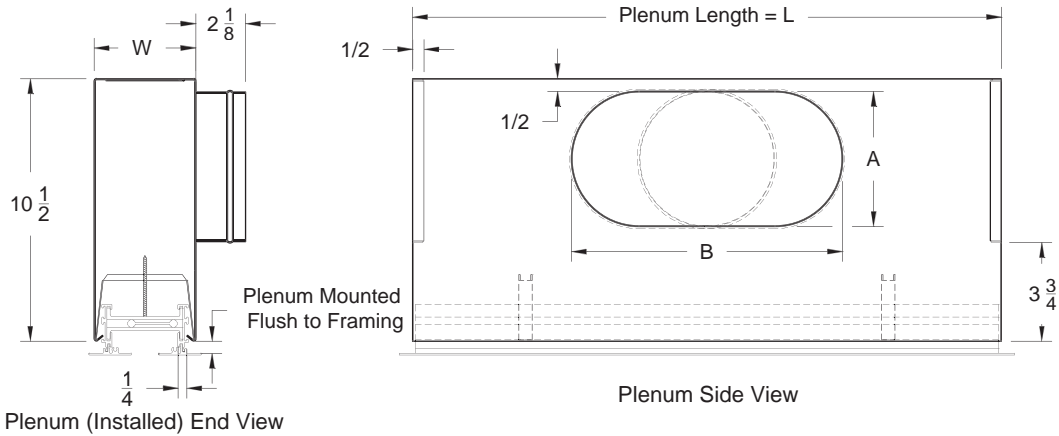
1. Available Finishes	2. Available Accessories	3. Available Options	4. Construction Details
	XG-FODR - Face Operated Damper Rod XG-ID - Inlet Damper XG-LQ - Locking Quadrant Damper XG-ROD - Remote Operated Damper	1EC - (1) End Cap 2EC - (2) End Caps 1EB - (1) End Border 2EB - (2) End Borders OO - Open / Open	<ul style="list-style-type: none"> Standard Lengths: 24, 36, 48, 60, 72 Custom Length available for extra charge 12" minimum – 72" maximum NI - No Inlet

All Dimensions ±1/16"

MODEL XG-UP-AFLC-30

Model: XG-UP-AFLC-30 Linear Diffuser Plenum with Concealed Mounting - 3" Slot - Non Insulated

XG-UP-AFLC-30 - 3" Slot - Non Insulated



Models	Slot Width	Number of Slots	W (Width)
UP-AFLC-30	3	1	6 3/4
UP-AFLC-30	3	2	12 11/16

Inlet Chart				Length
Size	Type	A	B	
6	Round	5 7/8	-	L
7	Oval	5 7/8	7 1/4	24
8	Oval	5 7/8	8 3/8	36
9	Oval	5 7/8	10	48
10	Oval	5 7/8	11 9/16	60
12	Oval	5 7/8	14 13/16	72
14	Oval	5 7/8	17 13/16	

L = Listed Size ± Linear End Types								
Model	Frame Type	2-EB	1-EB	OO	1-EC	2-EC	MM	MO
UP-AFLC-30	-1	- 1/16	- 1/16	- 1/16	- 1/16	- 1/16	- 1/16	- 1/16
UP-AFLC-30	-6	- 2 1/4	- 1 1/8	0	- 1/8	- 1/4	- 1 1/8	- 5/8

1. Available Finishes	2. Available Accessories	3. Available Options	4. Construction Details
	XG-FODR - Face Operated Damper Rod XG-ID - Inlet Damper XG-LQ - Locking Quadrant Damper XG-ROD - Remote Operated Damper	1EC - (1) End Cap 2EC - (2) End Caps 1EB - (1) End Border 2EB - (2) End Borders OO - Open / Open	<ul style="list-style-type: none"> Standard Lengths: 24, 36, 48, 60, 72 Custom Length available for extra charge 12" minimum – 72" maximum NI - No Inlet

All Dimensions ±1/16"

FORMATIONS MODEL SPECIFICATIONS

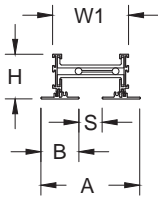
MODEL XG-UP/XG-UPI

Model	Slot Width	Frame Style	Inlet	# of Slots	Length	End Detail	Pattern Controller	Available Options	
XG-UP-AFL	10-1"	- 1	NI - No Inlet	1	24"	2EB	C - Combo	XXG-FODR	Face Operated Damper
XG-UPI-AFL	15-1.5"	- 6	06	2	36"	1EB	S - Straight	XG-ID	Inlet Damper
XG-UP-AFLC	20-2"		08		48"	2EC		XG-ROD	Remote Operated Damper
XG-UPI-AFLC	25-2.5"		10		60"	1EC		XG-CC	Closed Cell Insulation
	30-3"		12		72"	MM		XG-EI	External Insulation
			14			00			

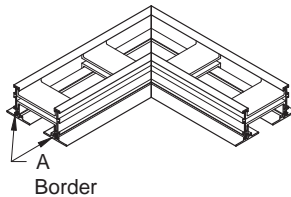
MODEL XG-AFLMC-AA 90

Model: XG-AFLMC-AA 90 Border A & Border A - Exposed Face - 90° Miter Corner

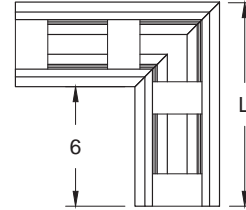
XG-AFLMC-AA 90 - Exposed Face - 90° Miter Corner



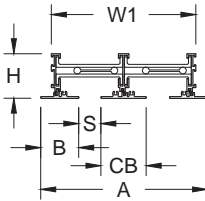
1 Slot



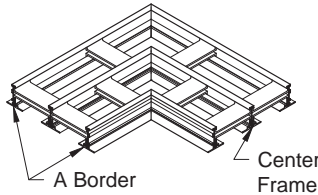
Mitered Corner 90°



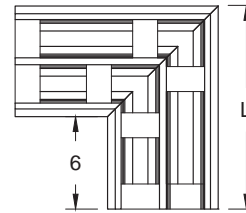
Mitered Corner 90° - Top View



2 Slot



Mitered Corner 90°



Mitered Corner 90° - Top View

Model 90°	Number	Slot	A Face	Length	Height	Face	Neck	Center
	Slots	S	B	L	H	A	W-1	-
XG-AFLMC-10 AA 90	1	1	1 5/8	10 1/4	1 15/16	4 1/4	3 1/4	0
XG-AFLMC-15 AA 90		1 1/2	1 5/8	10 3/4	1 15/16	4 3/4	3 3/4	0
XG-AFLMC-20 AA 90		2	1 5/8	11 1/4	1 15/16	5 1/4	4 1/4	0
XG-AFLMC-25 AA 90		2 1/2	2 1/8	12 3/4	2 9/16	6 3/4	5 3/4	0
XG-AFLMC-30 AA 90		3	2 1/8	13 1/4	2 9/16	7 1/4	6 1/4	0
Model 90°	Slots	S	B	L	H	A	W-1	CB
XG-AFLMC-10 AA 90	2	1	1 5/8	13 1/8	1 15/16	7 3/16	6 3/16	1 15/16
XG-AFLMC-15 AA 90		1 1/2	1 5/8	14 1/8	1 15/16	8 3/16	7 3/16	1 15/16
XG-AFLMC-20 AA 90		2	1 5/8	15 1/8	1 15/16	9 3/16	8 3/16	1 15/16
XG-AFLMC-25 AA 90		2 1/2	2 1/8	18 1/8	2 9/16	12 3/16	11 3/16	2 15/16
XG-AFLMC-30 AA 90		3	2 1/8	19 1/8	2 9/16	13 3/16	12 3/16	2 15/16

1. Available Finishes

Standard Finish:
 20 - White Face and Black Interior
 Optional Finish
 02 - Satin Silver Face and Black Interior
 03 - Black Face and Black Interior
 28 - Custom Face Color and Black Interior

2. Available Accessories

3. Available Options

1EC - (1) End Cap
 OO - Open / Open

4. Construction Details

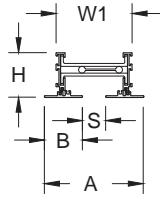
- Material Extruded Aluminum
- C - Combo Pattern Controller
- S - Standard Pattern Controller

All Dimensions ±1/16"

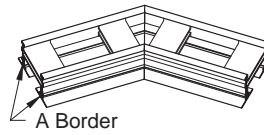
MODEL XG-AFLMC-AA 135

Model: XG-AFLMC-AA 135 Border A & Border A - Exposed Face - 135° Miter Corner

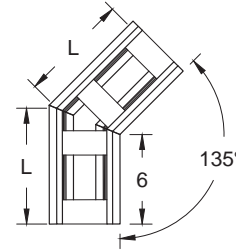
XG-AFLMC-AA 135 - Exposed Face - 135° Miter Corner



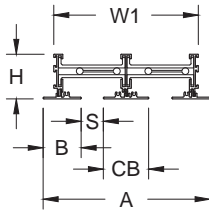
1 Slot



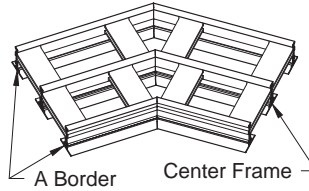
Mitered Corner 135°



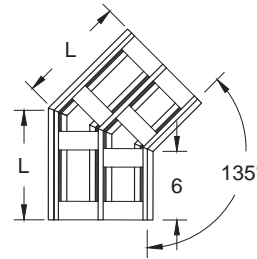
Mitered Corner 135° - Top View



2 Slot



Mitered Corner 135°



Mitered Corner 135° - Top View

Model 135°	Number	Slot	A Face	Length	Height	Face	Neck	Center
	Slots	S	B	L	H	A	W-1	-
XG-AFLMC-10 AA 135	1	1	1 5/8	7 3/4	1 15/16	4 1/4	3 1/4	0
XG-AFLMC-15 AA 135		1 1/2	1 5/8	7 15/16	1 15/16	4 3/4	3 3/4	0
XG-AFLMC-20 AA 135		2	1 5/8	8 3/16	1 15/16	5 1/4	4 1/4	0
XG-AFLMC-25 AA 135		2 1/2	2 1/8	8 13/16	2 9/16	6 3/4	5 3/4	0
XG-AFLMC-30 AA 135		3	2 1/8	9	2 9/16	7 1/4	6 1/4	0
Model 135°	Slots	S	B	L	H	A	W-1	CB
XG-AFLMC-10 AA 135	2	1	1 5/8	9	1 15/16	7 3/16	6 3/16	1 15/16
XG-AFLMC-15 AA 135		1 1/2	1 5/8	9 3/8	1 15/16	8 3/16	7 3/16	1 15/16
XG-AFLMC-20 AA 135		2	1 5/8	9 13/16	1 15/16	9 3/16	8 3/16	1 15/16
XG-AFLMC-25 AA 135		2 1/2	2 1/8	11 1/16	2 9/16	12 3/16	11 3/16	2 15/16
XG-AFLMC-30 AA 135		3	2 1/8	11 7/16	2 9/16	13 3/16	12 3/16	2 15/16

1. Available Finishes

Standard Finish:
20 - White Face and Black Interior
Optional Finish
02 - Satin Silver Face and Black Interior
03 - Black Face and Black Interior
28 - Custom Face Color and Black Interior

2. Available Accessories

3. Available Options

1EC - (1) End Cap
OO - Open / Open

4. Construction Details

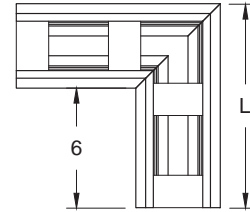
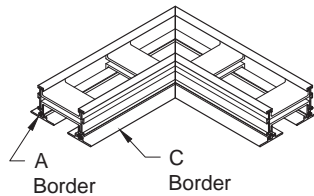
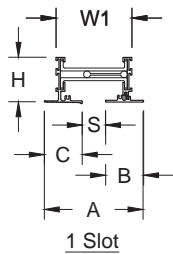
- Material Extruded Aluminum
- C - Combo Pattern Controller
- S - Standard Pattern Controller

All Dimensions ±1/16"

MODEL XG-AFLMC-AC 90

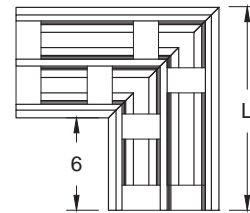
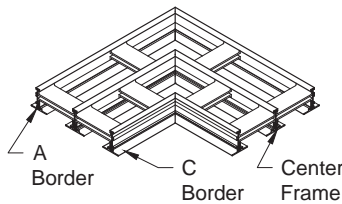
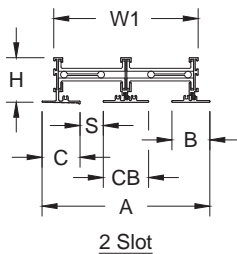
Model: XG-AFLMC-AC-90 Border A & Borders C - Exposed Face & Concealed Tape and Spackle - 90° Miter Corner

XG-AFLMC-AC 90 - Exposed Face & Concealed Tape and Spackle - 90° Miter Corner



Mitered Corner 90°

Mitered Corner 90° - Top View



Mitered Corner 90°

Mitered Corner 90° - Top View

Model 90°	Number	Slot	A Face	C Face	Length	Height	Face	Neck	Center
	Slots	S	B	C	L	H	A	W-1	-
XG-AFLMC-10 AC 90	1	1	1 5/8	1 5/8	10 1/4	1 15/16	4 1/4	3 1/4	0
XG-AFLMC-15 AC 90		1 1/2	1 5/8	1 5/8	10 3/4	1 15/16	4 3/4	3 3/4	0
XG-AFLMC-20 AC 90		2	1 5/8	1 5/8	11 1/4	1 15/16	5 1/4	4 1/4	0
XG-AFLMC-25 AC 90		2 1/2	2 1/8	2 1/8	12 3/4	2 9/16	6 3/4	5 3/4	0
XG-AFLMC-30 AC 90		3	2 1/8	2 1/8	13 1/4	2 9/16	7 1/4	6 1/4	0
Model 90°	Slots	S	B	C	L	H	A	W-1	CB
XG-AFLMC-10 AC 90	2	1	1 5/8	1 5/8	13 1/8	1 15/16	7 3/16	6 3/16	1 15/16
XG-AFLMC-15 AC 90		1 1/2	1 5/8	1 5/8	14 1/8	1 15/16	8 3/16	7 3/16	1 15/16
XG-AFLMC-20 AC 90		2	1 5/8	1 5/8	15 1/8	1 15/16	9 3/16	8 3/16	1 15/16
XG-AFLMC-25 AC 90		2 1/2	2 1/8	2 1/8	18 1/8	2 9/16	12 3/16	11 3/16	2 15/16
XG-AFLMC-30 AC 90		3	2 1/8	2 1/8	19 1/8	2 9/16	13 3/16	12 3/16	2 15/16

1. Available Finishes

Standard Finish:
 20 - White Face and Black Interior
 Optional Finish
 02 - Satin Silver Face and Black Interior
 03 - Black Face and Black Interior
 28 - Custom Face Color and Black Interior

2. Available Accessories

3. Available Options

1EC - (1) End Cap
 OO - Open / Open

4. Construction Details

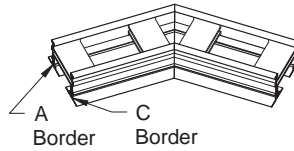
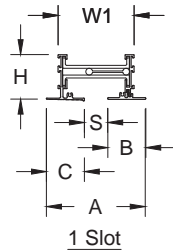
- Material Extruded Aluminum
- C - Combo Pattern Controller
- S - Standard Pattern Controller

All Dimensions ±1/16"

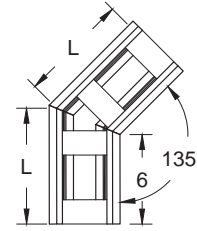
MODEL XG-AFLMC-AC 135

Model: XG-AFLMC-AC 135 Border A & Borders C - Exposed Face & Concealed Tape and Spackle - 135° Miter Corner

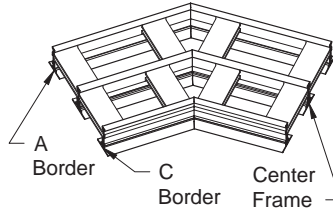
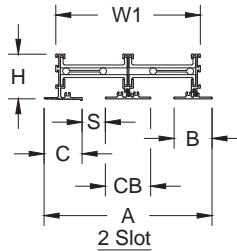
XG-AFLMC-AC 135 - Exposed Face & Concealed Tape and Spackle - 135° Miter Corner



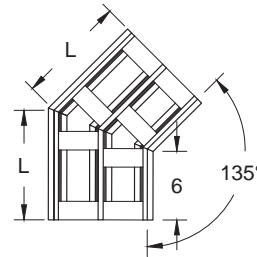
Mitered Corner 135°



Mitered Corner 135° - Top View



Mitered Corner 135°



Mitered Corner 135° - Top View

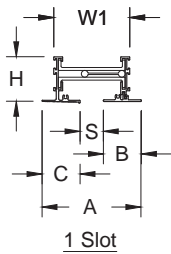
Model 135°	Number	Slot	A Face	C Face	Length	Height	Face	Neck	Center
	Slots	S	B	C	L	H	A	W-1	-
XG-AFLMC-10 AC 135	1	1	1 5/8	1 5/8	7 3/4	1 15/16	4 1/4	3 1/4	0
XG-AFLMC-15 AC 135		1 1/2	1 5/8	1 5/8	7 15/16	1 15/16	4 3/4	3 3/4	0
XG-AFLMC-20 AC 135		2	1 5/8	1 5/8	8 3/16	1 15/16	5 1/4	4 1/4	0
XG-AFLMC-25 AC 135		2 1/2	2 1/8	2 1/8	8 13/16	2 9/16	6 3/4	5 3/4	0
XG-AFLMC-30 AC 135		3	2 1/8	2 1/8	9	2 9/16	7 1/4	6 1/4	0
Model 135°	Slots	S	B	C	L	H	A	W-1	CB
XG-AFLMC-10 AC 135	2	1	1 5/8	1 5/8	9	1 15/16	7 3/16	6 3/16	1 15/16
XG-AFLMC-15 AC 135		1 1/2	1 5/8	1 5/8	9 3/8	1 15/16	8 3/16	7 3/16	1 15/16
XG-AFLMC-20 AC 135		2	1 5/8	1 5/8	9 13/16	1 15/16	9 3/16	8 3/16	1 15/16
XG-AFLMC-25 AC 135		2 1/2	2 1/8	2 1/8	11 1/16	2 9/16	12 3/16	11 3/16	2 15/16
XG-AFLMC-30 AC 135		3	2 1/8	2 1/8	11 7/16	2 9/16	13 3/16	12 3/16	2 15/16

1. Available Finishes	2. Available Accessories	3. Available Options	4. Construction Details
Standard Finish: 20 - White Face and Black Interior Optional Finish 02 - Satin Silver Face and Black Interior 03 - Black Face and Black Interior 28 - Custom Face Color and Black Interior		1EC - (1) End Cap OO - Open / Open	<ul style="list-style-type: none"> Material Extruded Aluminum C - Combo Pattern Controller S - Standard Pattern Controller <p>All Dimensions ±1/16"</p>

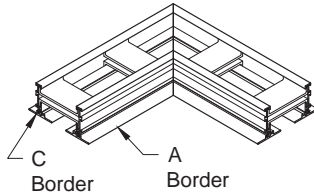
MODEL XG-AFLMC-CA 90

Model: XG-AFLMC-CA 90 Border C & Borders A - Concealed Tape and Spackle & Exposed Face - 90° Miter Corner

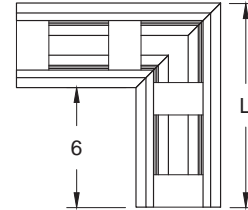
XG-AFLMC-CA 90 - Concealed Mount Mitered Corner



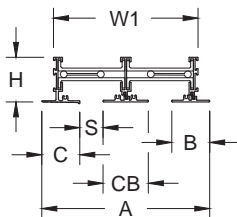
1 Slot



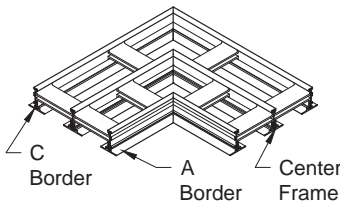
Mitered Corner 90°



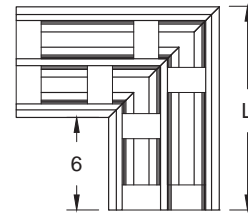
Mitered Corner 90° - Top View



2 Slot



Mitered Corner 90°



Mitered Corner 90° - Top View

Model 90°	Number	Slot	A Face	C Face	Length	Height	Face	Neck	Center
	Slots	S	B	C	L	H	A	W-1	-
XG-AFLMC-10 CA 90	1	1	1 5/8	1 5/8	10 1/4	1 15/16	4 1/4	3 1/4	0
XG-AFLMC-15 CA 90		1 1/2	1 5/8	1 5/8	10 3/4	1 15/16	4 3/4	3 3/4	0
XG-AFLMC-20 CA 90		2	1 5/8	1 5/8	11 1/4	1 15/16	5 1/4	4 1/4	0
XG-AFLMC-25 CA 90		2 1/2	2 1/8	2 1/8	12 3/4	2 9/16	6 3/4	5 3/4	0
XG-AFLMC-30 CA 90		3	2 1/8	2 1/8	13 1/4	2 9/16	7 1/4	6 1/4	0
Model 90°	Slots	S	B	C	L	H	A	W-1	CB
XG-AFLMC-10 CA 90	2	1	1 5/8	1 5/8	13 1/8	1 15/16	7 3/16	6 3/16	1 15/16
XG-AFLMC-15 CA 90		1 1/2	1 5/8	1 5/8	14 1/8	1 15/16	8 3/16	7 3/16	1 15/16
XG-AFLMC-20 CA 90		2	1 5/8	1 5/8	15 1/8	1 15/16	9 3/16	8 3/16	1 15/16
XG-AFLMC-25 CA 90		2 1/2	2 1/8	2 1/8	18 1/8	2 9/16	12 3/16	11 3/16	2 15/16
XG-AFLMC-30 CA 90		3	2 1/8	2 1/8	19 1/8	2 9/16	13 3/16	12 3/16	2 15/16

1. Available Finishes

Standard Finish:
 20 - White Face and Black Interior
 Optional Finish
 02 - Satin Silver Face and Black Interior
 03 - Black Face and Black Interior
 28 - Custom Face Color and Black Interior

2. Available Accessories

3. Available Options

1EC - (1) End Cap
 OO - Open / Open

4. Construction Details

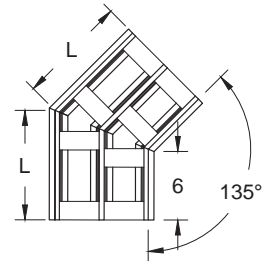
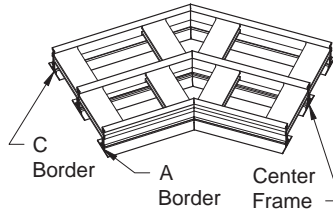
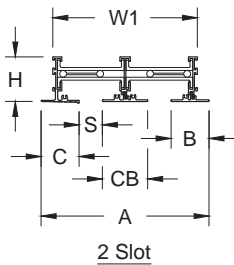
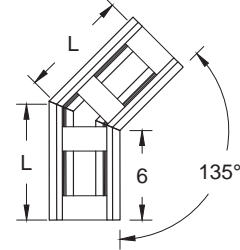
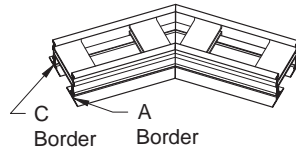
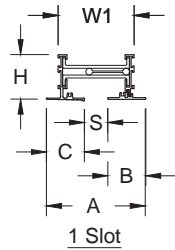
- Material Extruded Aluminum
- C - Combo Pattern Controller
- S - Standard Pattern Controller

All Dimensions ±1/16"

MODEL XG-AFLMC-CA 135

Model: XG-AFLMC-CA 135 Border C & Borders A - Concealed Tape and Spackle & Exposed Face - 135° Miter Corner

XG-AFLMC-CA 135 - Concealed Tape and Spackle & Exposed Face - 135° Miter Corner



Model 135°	Number	Slot	A Face	C Face	Length	Height	Face	Neck	Center
	Slots	S	B	C	L	H	A	W-1	-
XG-AFLMC-10 CA 135	1	1	1 5/8	1 5/8	7 3/4	1 15/16	4 1/4	3 1/4	0
XG-AFLMC-15 CA 135		1 1/2	1 5/8	1 5/8	7 15/16	1 15/16	4 3/4	3 3/4	0
XG-AFLMC-20 CA 135		2	1 5/8	1 5/8	8 3/16	1 15/16	5 1/4	4 1/4	0
XG-AFLMC-25 CA 135		2 1/2	2 1/8	2 1/8	8 13/16	2 9/16	6 3/4	5 3/4	0
XG-AFLMC-30 CA 135		3	2 1/8	2 1/8	9	2 9/16	7 1/4	6 1/4	0
Model 135°	Slots	S	B	C	L	H	A	W-1	CB
XG-AFLMC-10 CA 135	2	1	1 5/8	1 5/8	9	1 15/16	7 3/16	6 3/16	1 15/16
XG-AFLMC-15 CA 135		1 1/2	1 5/8	1 5/8	9 3/8	1 15/16	8 3/16	7 3/16	1 15/16
XG-AFLMC-20 CA 135		2	1 5/8	1 5/8	9 13/16	1 15/16	9 3/16	8 3/16	1 15/16
XG-AFLMC-25 CA 135		2 1/2	2 1/8	2 1/8	11 1/16	2 9/16	12 3/16	11 3/16	2 15/16
XG-AFLMC-30 CA 135		3	2 1/8	2 1/8	11 7/16	2 9/16	13 3/16	12 3/16	2 15/16

1. Available Finishes

Standard Finish:
20 - White Face and Black Interior
Optional Finish
02 - Satin Silver Face and Black Interior
03 - Black Face and Black Interior
28 - Custom Face Color and Black Interior

2. Available Accessories

3. Available Options

1EC - (1) End Cap
OO - Open / Open

4. Construction Details

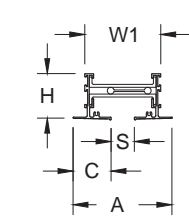
- Material Extruded Aluminum
- C - Combo Pattern Controller
- S - Standard Pattern Controller

All Dimensions ±1/16"

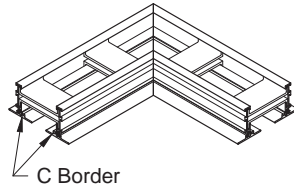
MODEL XG-AFLMC-CC 90

Model: XG-AFLMC-CC 90 Border C & Border C - Concealed Tape and Spackle - 90° Miter Corner

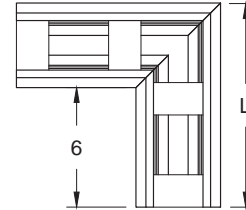
XG-AFLMC-CC 90 - Concealed Tape and Spackle - 90° Miter Corner



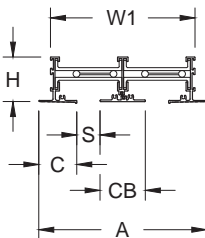
1 Slot



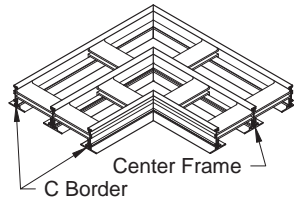
Mitered Corner 90°



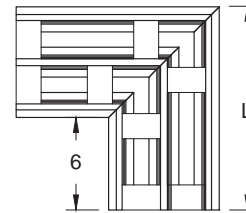
Mitered Corner 90° - Top View



2 Slot



Mitered Corner 90°



Mitered Corner 90° - Top View

Model 90°	Number	Slot	C Face	Length	Height	Face	Neck	Center
	Slots	S	C	L	H	A	W-1	-
XG-AFLMC-10 CC 90	1	1	1 5/8	10 1/4	1 15/16	4 1/4	3 1/4	0
XG-AFLMC-15 CC 90		1 1/2	1 5/8	10 3/4	1 15/16	4 3/4	3 3/4	0
XG-AFLMC-20 CC 90		2	1 5/8	11 1/4	1 15/16	5 1/4	4 1/4	0
XG-AFLMC-25 CC 90		2 1/2	2 1/8	12 3/4	2 9/16	6 3/4	5 3/4	0
XG-AFLMC-30 CC 90		3	2 1/8	13 1/4	2 9/16	7 1/4	6 1/4	0
Model 90°	Slots	S	C	L	H	A	W-1	CB
XG-AFLMC-10 CC 90	2	1	1 5/8	13 1/8	1 15/16	7 3/16	6 3/16	1 15/16
XG-AFLMC-15 CC 90		1 1/2	1 5/8	14 1/8	1 15/16	8 3/16	7 3/16	1 15/16
XG-AFLMC-20 CC 90		2	1 5/8	15 1/8	1 15/16	9 3/16	8 3/16	1 15/16
XG-AFLMC-25 CC 90		2 1/2	2 1/8	18 1/8	2 9/16	12 3/16	11 3/16	2 15/16
XG-AFLMC-30 CC 90		3	2 1/8	19 1/8	2 9/16	13 3/16	12 3/16	2 15/16

1. Available Finishes

Standard Finish:
 20 - White Face and Black Interior
 Optional Finish
 02 - Satin Silver Face and Black Interior
 03 - Black Face and Black Interior
 28 - Custom Face Color and Black Interior

2. Available Accessories

3. Available Options

1EC - (1) End Cap
 OO - Open / Open

4. Construction Details

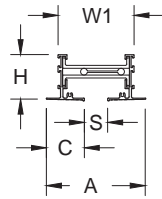
- Material Extruded Aluminum
- C - Combo Pattern Controller
- S - Standard Pattern Controller

All Dimensions ±1/16"

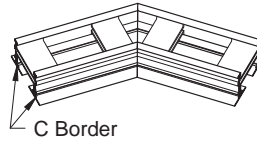
MODEL XG-AFLMC-CC 135

Model: XG-AFLMC-CC 135 Border C & Border C - Concealed Tape and Spackle - 135° Miter Corner

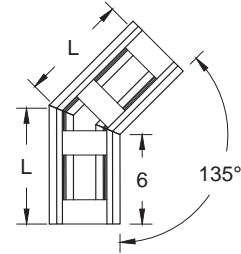
XG-AFLMC-CC 135 - Concealed Tape and Spackle - 135° Miter Corner



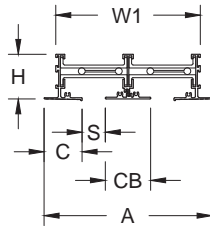
1 Slot



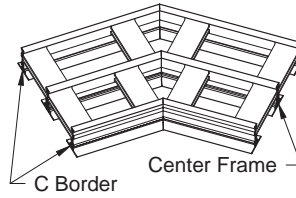
Mitered Corner 135°



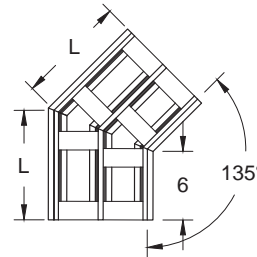
Mitered Corner 135° - Top View



2 Slot



Mitered Corner 135°



Mitered Corner 135° - Top View

Model 135°	Number	Slot	C Face	Length	Height	Face	Neck	Center
	Slots	S	C	L	H	A	W-1	-
XG-AFLMC-10 CC 135	1	1	1 5/8	7 3/4	1 15/16	4 1/4	3 1/4	0
XG-AFLMC-15 CC 135		1 1/2	1 5/8	7 15/16	1 15/16	4 3/4	3 3/4	0
XG-AFLMC-20 CC 135		2	1 5/8	8 3/16	1 15/16	5 1/4	4 1/4	0
XG-AFLMC-25 CC 135		2 1/2	2 1/8	8 13/16	2 9/16	6 3/4	5 3/4	0
XG-AFLMC-30 CC 135		3	2 1/8	9	2 9/16	7 1/4	6 1/4	0
Model 135°	Slots	S	C	L	H	A	W-1	CB
XG-AFLMC-10 CC 135	2	1	1 5/8	9	1 15/16	7 3/16	6 3/16	1 15/16
XG-AFLMC-15 CC 135		1 1/2	1 5/8	9 3/8	1 15/16	8 3/16	7 3/16	1 15/16
XG-AFLMC-20 CC 135		2	1 5/8	9 13/16	1 15/16	9 3/16	8 3/16	1 15/16
XG-AFLMC-25 CC 135		2 1/2	2 1/8	11 1/16	2 9/16	12 3/16	11 3/16	2 15/16
XG-AFLMC-30 CC 135		3	2 1/8	11 7/16	2 9/16	13 3/16	12 3/16	2 15/16

1. Available Finishes

Standard Finish:
20 - White Face and Black Interior
Optional Finish
02 - Satin Silver Face and Black Interior
03 - Black Face and Black Interior
28 - Custom Face Color and Black Interior

2. Available Accessories

3. Available Options

1EC - (1) End Cap
2EC - (2) End Caps
OO - Open / Open

4. Construction Details

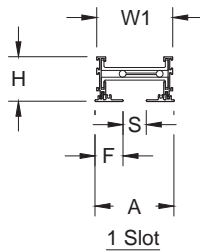
- Material Extruded Aluminum
- C - Combo Pattern Controller
- S - Standard Pattern Controller

All Dimensions ±1/16"

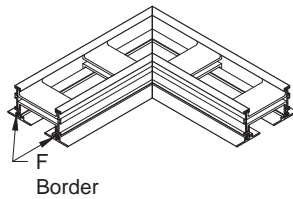
MODEL XG-AFLMC-FF 90

Model: XG-AFLMC-FF 90 Border F & Border F - Flush Channel Frame - 90° Miter Corner

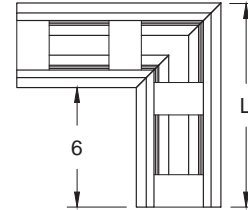
XG-AFLMC-FF 90 - Flush Channel Frame - 90° Miter Corner



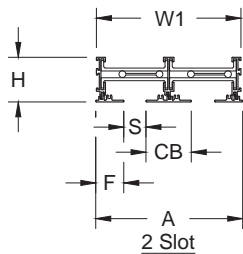
1 Slot



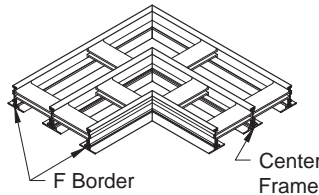
Mitered Corner 90°



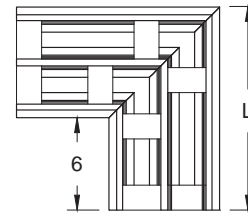
Mitered Corner 90° - Top View



2 Slot



Mitered Corner 90°



Mitered Corner 90° - Top View

Model 90°	Number	Slot	F Face	Length	Height	Face	Neck	Center
	Slots	S	F	L	H	A	W-1	-
XG-AFLMC-10 FF 90	1	1	1 1/8	10 1/4	1 15/16	4 1/4	3 1/4	0
XG-AFLMC-15 FF 90		1 1/2	1 1/8	10 3/4	1 15/16	4 3/4	3 3/4	0
XG-AFLMC-20 FF 90		2	1 1/8	11 1/4	1 15/16	5 1/4	4 1/4	0
XG-AFLMC-25 FF 90		2 1/2	1 5/8	12 3/4	2 9/16	6 3/4	5 3/4	0
XG-AFLMC-30 FF 90		3	1 5/8	13 1/4	2 9/16	7 1/4	6 1/4	0
Model 90°	Slots	S	F	L	H	A	W-1	CB
XG-AFLMC-10 FF 90	2	1	1 1/8	13 1/8	1 15/16	7 3/16	6 3/16	1 15/16
XG-AFLMC-15 FF 90		1 1/2	1 1/8	14 1/8	1 15/16	8 3/16	7 3/16	1 15/16
XG-AFLMC-20 FF 90		2	1 1/8	15 1/8	1 15/16	9 3/16	8 3/16	1 15/16
XG-AFLMC-25 FF 90		2 1/2	1 5/8	18 1/8	2 9/16	12 3/16	11 3/16	2 15/16
XG-AFLMC-30 FF 90		3	1 5/8	19 1/8	2 9/16	13 3/16	12 3/16	2 15/16

1. Available Finishes

Standard Finish:
 20 - White Face and Black Interior
 Optional Finish
 02 - Satin Silver Face and Black Interior
 03 - Black Face and Black Interior
 28 - Custom Face Color and Black Interior

2. Available Accessories

3. Available Options

1EC - (1) End Cap
 OO - Open / Open

4. Construction Details

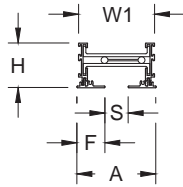
- Material Extruded Aluminum
- C - Combo Pattern Controller
- S - Standard Pattern Controller

All Dimensions ±1/16"

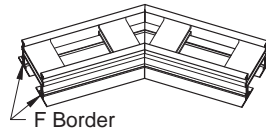
MODEL XG-AFLMC-FF 135

Model: XG-AFLMC-FF 135 Border F & Border F - Flush Channel Frame - 135° Miter Corner

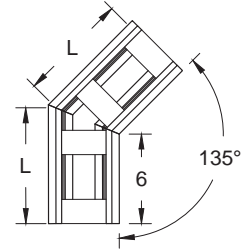
XG-AFLMC-FF 135 - Flush Channel Frame - 135° Miter Corner



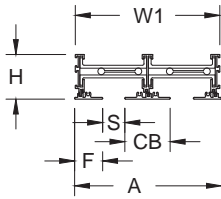
1 Slot



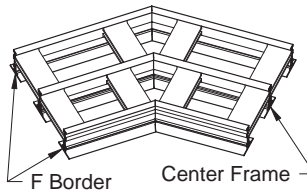
Mitered Corner 135°



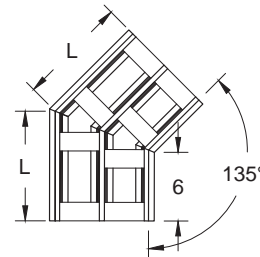
Mitered Corner 135° - Top View



2 Slot



Mitered Corner 135°



Mitered Corner 135° - Top View

Model 135°	Number	Slot	F Face	Length	Height	Face	Neck	Center
	Slots	S	F	L	H	A	W-1	-
XG-AFLMC-10 FF 135	1	1	1 1/8	7 3/4	1 15/16	4 1/4	3 1/4	0
XG-AFLMC-15 FF 135		1 1/2	1 1/8	7 15/16	1 15/16	4 3/4	3 3/4	0
XG-AFLMC-20 FF 135		2	1 1/8	8 3/16	1 15/16	5 1/4	4 1/4	0
XG-AFLMC-25 FF 135		2 1/2	1 5/8	8 13/16	2 9/16	6 3/4	5 3/4	0
XG-AFLMC-30 FF 135		3	1 5/8	9	2 9/16	7 1/4	6 1/4	0
Model 135°	Slots	S	F	L	H	A	W-1	CB
XG-AFLMC-10 FF 135	2	1	1 1/8	9	1 15/16	7 3/16	6 3/16	1 15/16
XG-AFLMC-15 FF 135		1 1/2	1 1/8	9 3/8	1 15/16	8 3/16	7 3/16	1 15/16
XG-AFLMC-20 FF 135		2	1 1/8	9 13/16	1 15/16	9 3/16	8 3/16	1 15/16
XG-AFLMC-25 FF 135		2 1/2	1 5/8	11 1/16	2 9/16	12 3/16	11 3/16	2 15/16
XG-AFLMC-30 FF 135		3	1 5/8	11 7/16	2 9/16	13 3/16	12 3/16	2 15/16

1. Available Finishes

Standard Finish:
20 - White Face and Black Interior
Optional Finish
02 - Satin Silver Face and Black Interior
03 - Black Face and Black Interior
28 - Custom Face Color and Black Interior

2. Available Accessories

3. Available Options

1EC - (1) End Cap
OO - Open / Open

4. Construction Details

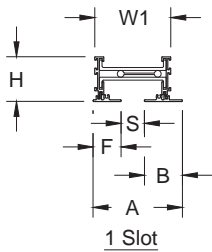
- Material Extruded Aluminum
- C - Combo Pattern Controller
- S - Standard Pattern Controller

All Dimensions ±1/16"

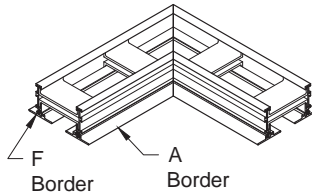
MODEL XG-AFLMC-FA 90

Model: XG-AFLMC-FA 90 Border F & Border A - Flush Channel & Exposed Face - 90° Miter Corner

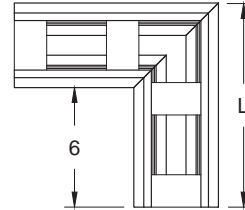
XG-AFLMC-FA 90 - Flush Channel & Exposed Face - 90° Miter Corner



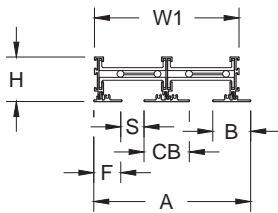
1 Slot



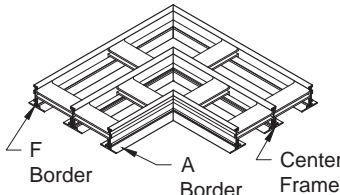
Mitered Corner 90°



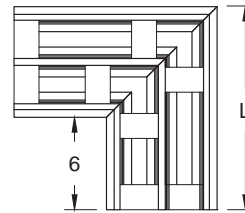
Mitered Corner 90° - Top View



2 Slot



Mitered Corner 90°



Mitered Corner 90° - Top View

Model 90°	Number	Slot	F Face	A Face	Length	Height	Face	Neck	Center
	Slots	S	F	B	L	H	A	W-1	-
XG-AFLMC-10 FA 90	1	1	1 1/8	1 5/8	10 1/4	1 15/16	4 1/4	3 1/4	0
XG-AFLMC-15 FA 90		1 1/2	1 1/8	1 5/8	10 3/4	1 15/16	4 3/4	3 3/4	0
XG-AFLMC-20 FA 90		2	1 1/8	1 5/8	11 1/4	1 15/16	5 1/4	4 1/4	0
XG-AFLMC-25 FA 90		2 1/2	1 5/8	2 1/8	12 3/4	2 9/16	6 3/4	5 3/4	0
XG-AFLMC-30 FA 90		3	1 5/8	2 1/8	13 1/4	2 9/16	7 1/4	6 1/4	0
Model 90°	Slots	S	F	B	L	H	A	W-1	CB
XG-AFLMC-10 FA 90	2	1	1 1/8	1 5/8	13 1/8	1 15/16	7 3/16	6 3/16	1 15/16
XG-AFLMC-15 FA 90		1 1/2	1 1/8	1 5/8	14 1/8	1 15/16	8 3/16	7 3/16	1 15/16
XG-AFLMC-20 FA 90		2	1 1/8	1 5/8	15 1/8	1 15/16	9 3/16	8 3/16	1 15/16
XG-AFLMC-25 FA 90		2 1/2	1 5/8	2 1/8	18 1/8	2 9/16	12 3/16	11 3/16	2 15/16
XG-AFLMC-30 FA 90		3	1 5/8	2 1/8	19 1/8	2 9/16	13 3/16	12 3/16	2 15/16

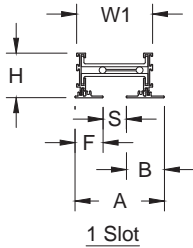
1. Available Finishes	2. Available Accessories	3. Available Options	4. Construction Details
Standard Finish: 20 - White Face and Black Interior Optional Finish 02 - Satin Silver Face and Black Interior 03 - Black Face and Black Interior 28 - Custom Face Color and Black Interior		1EC - (1) End Cap OO - Open / Open	<ul style="list-style-type: none"> Material Extruded Aluminum C - Combo Pattern Controller S - Standard Pattern Controller

All Dimensions ±1/16"

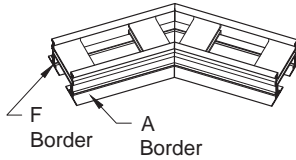
MODEL XG-AFLMC-FA 135

Model: XG-AFLMC-FA 135 Border F & Border A - Flush Channel & Exposed Face - 135° Miter Corner

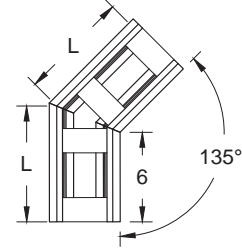
XG-AFLMC-FA 135 - Flush Channel & Exposed Face - 135° Miter Corner



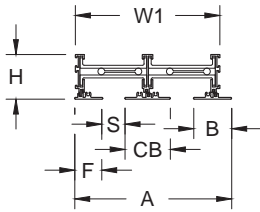
1 Slot



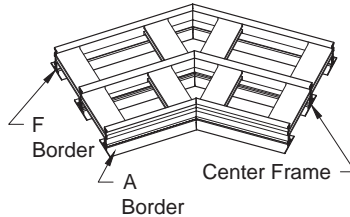
Mitered Corner 135°



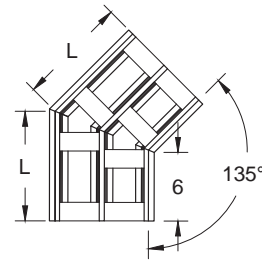
Mitered Corner 135° - Top View



2 Slot



Mitered Corner 135°



Mitered Corner 135° - Top View

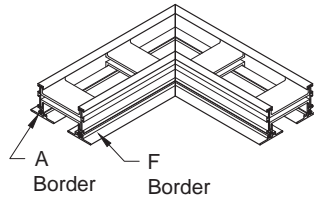
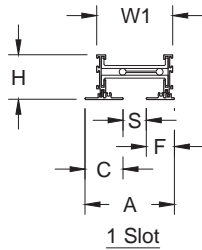
Model 135°	Number	Slot	F Face	A Face	Length	Height	Face	Neck	Center
	Slots	S	F	B	L	H	A	W-1	-
XG-AFLMC-10 FA 135	1	1	1 1/8	1 5/8	7 3/4	1 15/16	4 1/4	3 1/4	0
XG-AFLMC-15 FA 135		1 1/2	1 1/8	1 5/8	7 15/16	1 15/16	4 3/4	3 3/4	0
XG-AFLMC-20 FA 135		2	1 1/8	1 5/8	8 3/16	1 15/16	5 1/4	4 1/4	0
XG-AFLMC-25 FA 135		2 1/2	1 5/8	2 1/8	8 13/16	2 9/16	6 3/4	5 3/4	0
XG-AFLMC-30 FA 135		3	1 5/8	2 1/8	9	2 9/16	7 1/4	6 1/4	0
Model 135°	Slots	S	F	B	L	H	A	W-1	CB
XG-AFLMC-10 FA 135	2	1	1 1/8	1 5/8	9	1 15/16	7 3/16	6 3/16	1 15/16
XG-AFLMC-15 FA 135		1 1/2	1 1/8	1 5/8	9 3/8	1 15/16	8 3/16	7 3/16	1 15/16
XG-AFLMC-20 FA 135		2	1 1/8	1 5/8	9 13/16	1 15/16	9 3/16	8 3/16	1 15/16
XG-AFLMC-25 FA 135		2 1/2	1 5/8	2 1/8	11 1/16	2 9/16	12 3/16	11 3/16	2 15/16
XG-AFLMC-30 FA 135		3	1 5/8	2 1/8	11 7/16	2 9/16	13 3/16	12 3/16	2 15/16

1. Available Finishes	2. Available Accessories	3. Available Options	4. Construction Details
<p>Standard Finish: 20 - White Face and Black Interior</p> <p>Optional Finish 02 - Satin Silver Face and Black Interior 03 - Black Face and Black Interior 28 - Custom Face Color and Black Interior</p>		<p>1EC - (1) End Cap OO - Open / Open</p>	<ul style="list-style-type: none"> Material Extruded Aluminum C - Combo Pattern Controller S - Standard Pattern Controller <p>All Dimensions ±1/16"</p>

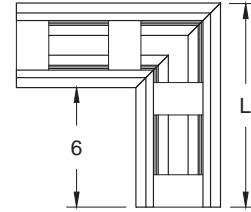
MODEL XG-AFLMC-AF 90

Model: XG-AFLMC-AF 90 Border A & Border F - Exposed Face & Flush Channel - 90° Miter Corner

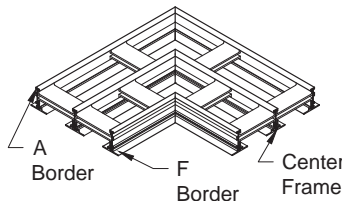
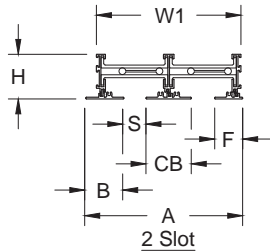
XG-AFLMC-AF 90 - Exposed Face & Flush Channel - 90° Miter Corner



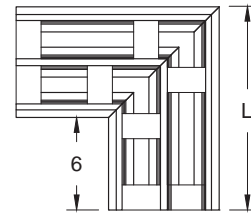
Mitered Corner 90°



Mitered Corner 90° - Top View



Mitered Corner 90°



Mitered Corner 90° - Top View

Model 90°	Number	Slot	A Face	F Face	Length	Height	Face	Neck	Center
	Slots	S	B	F	L	H	A	W-1	-
XG-AFLMC-10 AF 90	1	1	1 5/8	1 1/8	10 1/4	1 15/16	4 1/4	3 1/4	0
XG-AFLMC-15 AF 90		1 1/2	1 5/8	1 1/8	10 3/4	1 15/16	4 3/4	3 3/4	0
XG-AFLMC-20 AF 90		2	1 5/8	1 1/8	11 1/4	1 15/16	5 1/4	4 1/4	0
XG-AFLMC-25 AF 90		2 1/2	2 1/8	1 5/8	12 3/4	2 9/16	6 3/4	5 3/4	0
XG-AFLMC-30 AF 90		3	2 1/8	1 5/8	13 1/4	2 9/16	7 1/4	6 1/4	0
Model 90°	Slots	S	B	F	L	H	A	W-1	CB
XG-AFLMC-10 AF 90	2	1	1 5/8	1 1/8	13 1/8	1 15/16	7 3/16	6 3/16	1 15/16
XG-AFLMC-15 AF 90		1 1/2	1 5/8	1 1/8	14 1/8	1 15/16	8 3/16	7 3/16	1 15/16
XG-AFLMC-20 AF 90		2	1 5/8	1 1/8	15 1/8	1 15/16	9 3/16	8 3/16	1 15/16
XG-AFLMC-25 AF 90		2 1/2	2 1/8	1 5/8	18 1/8	2 9/16	12 3/16	11 3/16	2 15/16
XG-AFLMC-30 AF 90		3	2 1/8	1 5/8	19 1/8	2 9/16	13 3/16	12 3/16	2 15/16

1. Available Finishes

Standard Finish:
 20 - White Face and Black Interior
 Optional Finish
 02 - Satin Silver Face and Black Interior
 03 - Black Face and Black Interior
 28 - Custom Face Color and Black Interior

2. Available Accessories

3. Available Options

1EC - (1) End Cap
 OO - Open / Open

4. Construction Details

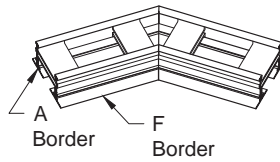
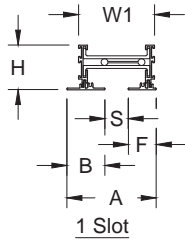
- Material Extruded Aluminum
- C - Combo Pattern Controller
- S - Standard Pattern Controller

All Dimensions ±1/16"

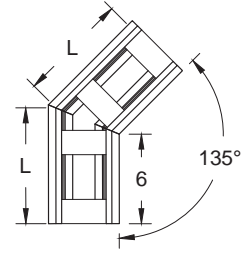
MODEL XG-AFLMC-AF 135

Model: XG-AFLMC-AF 135 Border A & Border F - Exposed Face & Flush Channel - 135° Miter Corner

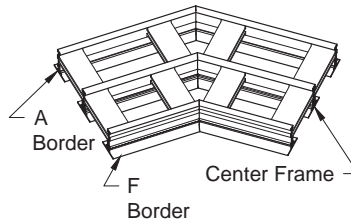
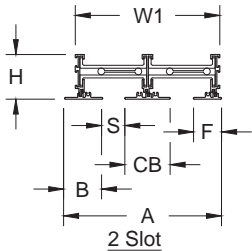
XG-AFLMC-AF 135 - Exposed Face & Flush Channel - 135° Miter Corner



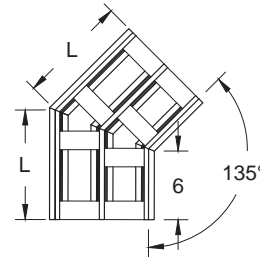
Mitered Corner 135°



Mitered Corner 135° - Top View



Mitered Corner 135°



Mitered Corner 135° - Top View

Model 135°	Number	Slot	A Face	F Face	Length	Height	Face	Neck	Center
	Slots	S	B	F	L	H	A	W-1	-
XG-AFLMC-10 AF 135	1	1	1 5/8	1 1/8	7 3/4	1 15/16	4 1/4	3 1/4	0
XG-AFLMC-15 AF 135		1 1/2	1 5/8	1 1/8	7 15/16	1 15/16	4 3/4	3 3/4	0
XG-AFLMC-20 AF 135		2	1 5/8	1 1/8	8 3/16	1 15/16	5 1/4	4 1/4	0
XG-AFLMC-25 AF 135		2 1/2	2 1/8	1 5/8	8 13/16	2 9/16	6 3/4	5 3/4	0
XG-AFLMC-30 AF 135		3	2 1/8	1 5/8	9	2 9/16	7 1/4	6 1/4	0
Model 135°	Slots	S	B	F	L	H	A	W-1	CB
XG-AFLMC-10 AF 135	2	1	1 5/8	1 1/8	9	1 15/16	7 3/16	6 3/16	1 15/16
XG-AFLMC-15 AF 135		1 1/2	1 5/8	1 1/8	9 3/8	1 15/16	8 3/16	7 3/16	1 15/16
XG-AFLMC-20 AF 135		2	1 5/8	1 1/8	9 13/16	1 15/16	9 3/16	8 3/16	1 15/16
XG-AFLMC-25 AF 135		2 1/2	2 1/8	1 5/8	11 1/16	2 9/16	12 3/16	11 3/16	2 15/16
XG-AFLMC-30 AF 135		3	2 1/8	1 5/8	11 7/16	2 9/16	13 3/16	12 3/16	2 15/16

1. Available Finishes

Standard Finish:
20 - White Face and Black Interior
Optional Finish
02 - Satin Silver Face and Black Interior
03 - Black Face and Black Interior
28 - Custom Face Color and Black Interior

2. Available Accessories

3. Available Options

1EC - (1) End Cap
OO - Open / Open

4. Construction Details

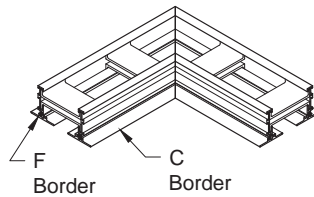
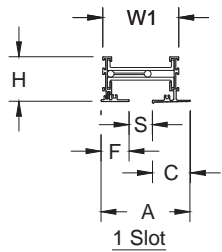
- Material Extruded Aluminum
- C - Combo Pattern Controller
- S - Standard Pattern Controller

All Dimensions ±1/16"

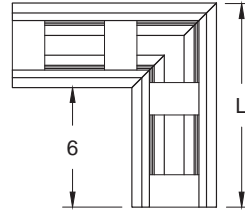
MODEL XG-AFLMC-FC 90

Model: XG-AFLMC-FC 90 Border F & Border C - Flush Channel & Concealed Tape and Spackle - 90° Miter Corner

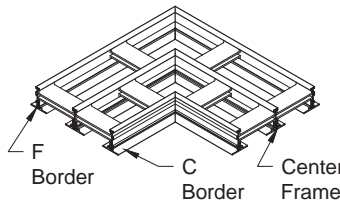
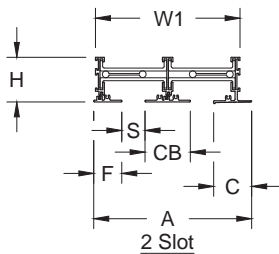
XG-AFLMC-FC 90 - Flush Channel & Concealed Tape and Spackle - 90° Miter Corner



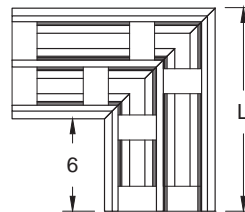
Mitered Corner 90°



Mitered Corner 90° - Top View



Mitered Corner 90°



Mitered Corner 90° - Top View

Model 90°	Number	Slot	F Face	C Face	Length	Height	Face	Neck	Center
	Slots	S	F	C	L	H	A	W-1	-
XG-AFLMC-10 FC 90	1	1	1 1/8	1 5/8	10 1/4	1 15/16	4 1/4	3 1/4	0
XG-AFLMC-15 FC 90		1 1/2	1 1/8	1 5/8	10 3/4	1 15/16	4 3/4	3 3/4	0
XG-AFLMC-20 FC 90		2	1 1/8	1 5/8	11 1/4	1 15/16	5 1/4	4 1/4	0
XG-AFLMC-25 FC 90		2 1/2	1 5/8	2 1/8	12 3/4	2 9/16	6 3/4	5 3/4	0
XG-AFLMC-30 FC 90		3	1 5/8	2 1/8	13 1/4	2 9/16	7 1/4	6 1/4	0
Model 90°	Slots	S	F	C	L	H	A	W-1	CB
XG-AFLMC-10 FC 90	2	1	1 1/8	1 5/8	13 1/8	1 15/16	7 3/16	6 3/16	1 15/16
XG-AFLMC-15 FC 90		1 1/2	1 1/8	1 5/8	14 1/8	1 15/16	8 3/16	7 3/16	1 15/16
XG-AFLMC-20 FC 90		2	1 1/8	1 5/8	15 1/8	1 15/16	9 3/16	8 3/16	1 15/16
XG-AFLMC-25 FC 90		2 1/2	1 5/8	2 1/8	18 1/8	2 9/16	12 3/16	11 3/16	2 15/16
XG-AFLMC-30 FC 90		3	1 5/8	2 1/8	19 1/8	2 9/16	13 3/16	12 3/16	2 15/16

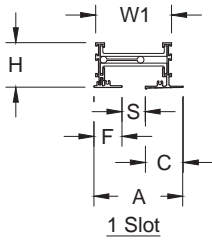
1. Available Finishes	2. Available Accessories	3. Available Options	4. Construction Details
Standard Finish: 20 - White Face and Black Interior Optional Finish 02 - Satin Silver Face and Black Interior 03 - Black Face and Black Interior 28 - Custom Face Color and Black Interior		1EC - (1) End Cap OO - Open / Open	<ul style="list-style-type: none"> Material Extruded Aluminum C - Combo Pattern Controller S - Standard Pattern Controller

All Dimensions ±1/16"

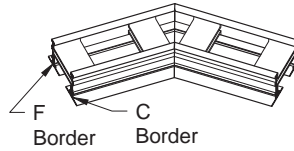
MODEL XG-AFLMC-FC 135

Model: XG-AFLMC-FC 135 Border F & Border C - Flush Channel & Concealed Tape and Spackle - 135° Miter Corner

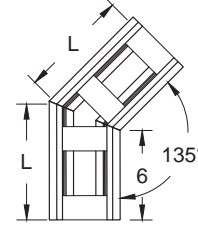
XG-AFLMC-FC 135 - Flush Channel & Concealed Tape and Spackle - 135° Miter Corner



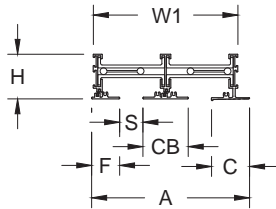
1 Slot



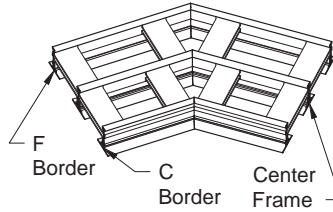
Mitered Corner 135°



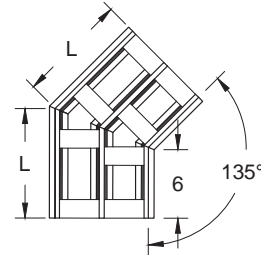
Mitered Corner 135° - Top View



2 Slot



Mitered Corner 135°



Mitered Corner 135° - Top View

Model 135°	Number	Slot	F Face	C Face	Length	Height	Face	Neck	Center
	Slots	S	F	C	L	H	A	W-1	-
XG-AFLMC-10 FC 135	1	1	1 1/8	1 5/8	7 3/4	1 15/16	4 1/4	3 1/4	0
XG-AFLMC-15 FC 135		1 1/2	1 1/8	1 5/8	7 15/16	1 15/16	4 3/4	3 3/4	0
XG-AFLMC-20 FC 135		2	1 1/8	1 5/8	8 3/16	1 15/16	5 1/4	4 1/4	0
XG-AFLMC-25 FC 135		2 1/2	1 5/8	2 1/8	8 13/16	2 9/16	6 3/4	5 3/4	0
XG-AFLMC-30 FC 135		3	1 5/8	2 1/8	9	2 9/16	7 1/4	6 1/4	0
Model 135°	Slots	S	F	C	L	H	A	W-1	CB
XG-AFLMC-10 FC 135	2	1	1 1/8	1 5/8	9	1 15/16	7 3/16	6 3/16	1 15/16
XG-AFLMC-15 FC 135		1 1/2	1 1/8	1 5/8	9 3/8	1 15/16	8 3/16	7 3/16	1 15/16
XG-AFLMC-20 FC 135		2	1 1/8	1 5/8	9 13/16	1 15/16	9 3/16	8 3/16	1 15/16
XG-AFLMC-25 FC 135		2 1/2	1 5/8	2 1/8	11 1/16	2 9/16	12 3/16	11 3/16	2 15/16
XG-AFLMC-30 FC 135		3	1 5/8	2 1/8	11 7/16	2 9/16	13 3/16	12 3/16	2 15/16

1. Available Finishes

Standard Finish:
20 - White Face and Black Interior
Optional Finish
02 - Satin Silver Face and Black Interior
03 - Black Face and Black Interior
28 - Custom Face Color and Black Interior

2. Available Accessories

3. Available Options

1EC - (1) End Cap
OO - Open / Open

4. Construction Details

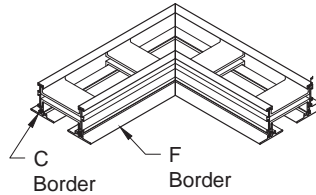
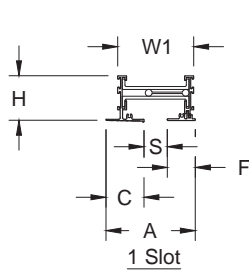
- Material Extruded Aluminum
- C - Combo Pattern Controller
- S - Standard Pattern Controller

All Dimensions ±1/16"

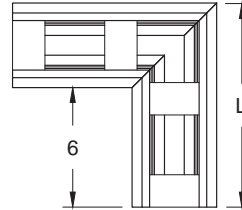
MODEL XG-AFLMC-CF 90

Model: XG-AFLMC-CF 90 Border C & Border F - Concealed Tape and Spackle & Flush Channel - 90° Miter Corner

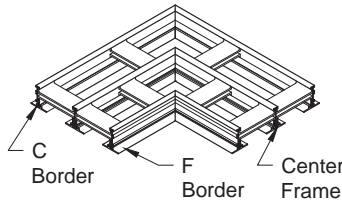
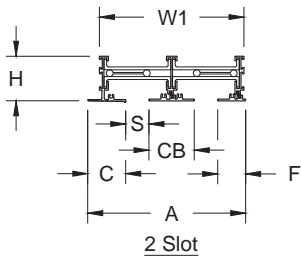
XG-AFLMC-CF 90 - Concealed Tape and Spackle & Flush Channel - 90° Mitered Corner



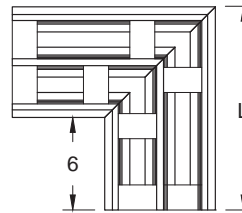
Mitered Corner 90°



Mitered Corner 90° - Top View



Mitered Corner 90°



Mitered Corner 90° - Top View

Model 90°	Number	Slot	F Face	C Face	Length	Height	Face	Neck	Center
	Slots	S	F	C	L	H	A	W-1	-
XG-AFLMC-10 CF 90	1	1	1 1/8	1 5/8	10 1/4	1 15/16	4 1/4	3 1/4	0
XG-AFLMC-15 CF 90		1 1/2	1 1/8	1 5/8	2 3/4	1 15/16	4 3/4	3 3/4	0
XG-AFLMC-20 CF 90		2	1 1/8	1 5/8	11 1/4	1 15/16	5 1/4	4 1/4	0
XG-AFLMC-25 CF 90		2 1/2	1 5/8	2 1/8	12 3/4	2 9/16	6 3/4	5 3/4	0
XG-AFLMC-30 CF 90		3	1 5/8	2 1/8	13 1/4	2 9/16	7 1/4	6 1/4	0
Model 90°	Slots	S	F	C	L	H	A	W-1	CB
XG-AFLMC-10 CF 90	2	1	1 1/8	1 5/8	13 1/8	1 15/16	7 3/16	6 3/16	1 15/16
XG-AFLMC-15 CF 90		1 1/2	1 1/8	1 5/8	14 1/8	1 15/16	8 3/16	7 3/16	1 15/16
XG-AFLMC-20 CF 90		2	1 1/8	1 5/8	15 1/8	1 15/16	9 3/16	8 3/16	1 15/16
XG-AFLMC-25 CF 90		2 1/2	1 5/8	2 1/8	18 1/8	2 9/16	12 3/16	11 3/16	2 15/16
XG-AFLMC-30 CF 90		3	1 5/8	2 1/8	19 1/8	2 9/16	13 3/16	12 3/16	2 15/16

1. Available Finishes

Standard Finish:
 20 - White Face and Black Interior
 Optional Finish
 02 - Satin Silver Face and Black Interior
 03 - Black Face and Black Interior
 28 - Custom Face Color and Black Interior

2. Available Accessories

3. Available Options

1EC - (1) End Cap
 OO - Open / Open

4. Construction Details

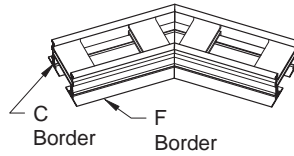
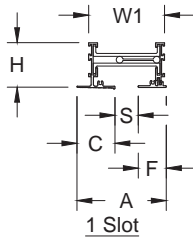
- Material Extruded Aluminum
- C - Combo Pattern Controller
- S - Standard Pattern Controller

All Dimensions ±1/16"

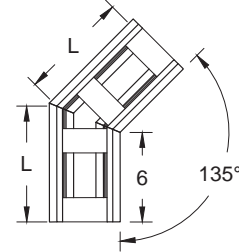
MODEL XG-AFLMC-CF 135

Model: XG-AFLMC-CF 135 Border C & Border F - Concealed Tape and Spackle & Flush Channel - 135° Miter Corner

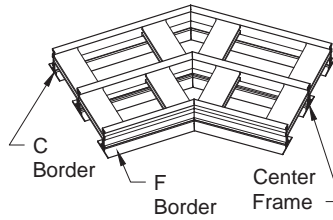
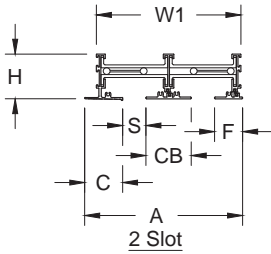
XG-AFLMC-CF 135 - Concealed Tape and Spackle & Flush Channel - 135° Miter Corner



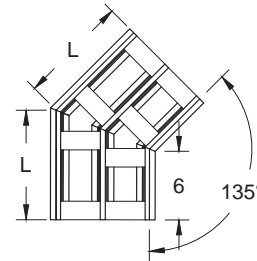
Mitered Corner 135°



Mitered Corner 135° - Top View



Mitered Corner 135°



Mitered Corner 135° - Top View

Model 135°	Number	Slot	F Face	C Face	Length	Height	Face	Neck	Center
	Slots	S	F	C	L	H	A	W-1	-
XG-AFLMC-10 CF 135	1	1	1 1/8	1 5/8	7 3/4	1 15/16	4 1/4	3 1/4	0
XG-AFLMC-15 CF 135		1 1/2	1 1/8	1 5/8	7 15/16	1 15/16	4 3/4	3 3/4	0
XG-AFLMC-20 CF 135		2	1 1/8	1 5/8	8 3/16	1 15/16	5 1/4	4 1/4	0
XG-AFLMC-25 CF 135		2 1/2	1 5/8	2 1/8	8 13/16	2 9/16	6 3/4	5 3/4	0
XG-AFLMC-30 CF 135		3	1 5/8	2 1/8	9	2 9/16	7 1/4	6 1/4	0
Model 135°	Slots	S	F	C	L	H	A	W-1	CB
XG-AFLMC-10 CF 135	2	1	1 1/8	1 5/8	9	1 15/16	7 3/16	6 3/16	1 15/16
XG-AFLMC-15 CF 135		1 1/2	1 1/8	1 5/8	9 3/8	1 15/16	8 3/16	7 3/16	1 15/16
XG-AFLMC-20 CF 135		2	1 1/8	1 5/8	9 13/16	1 15/16	9 3/16	8 3/16	1 15/16
XG-AFLMC-25 CF 135		2 1/2	1 5/8	2 1/8	11 1/16	2 9/16	12 3/16	11 3/16	2 15/16
XG-AFLMC-30 CF 135		3	1 5/8	2 1/8	11 7/16	2 9/16	13 3/16	12 3/16	2 15/16

1. Available Finishes

Standard Finish:
20 - White Face and Black Interior
Optional Finish
02 - Satin Silver Face and Black Interior
03 - Black Face and Black Interior
28 - Custom Face Color and Black Interior

2. Available Accessories

3. Available Options

1EC - (1) End Cap
OO - Open / Open

4. Construction Details

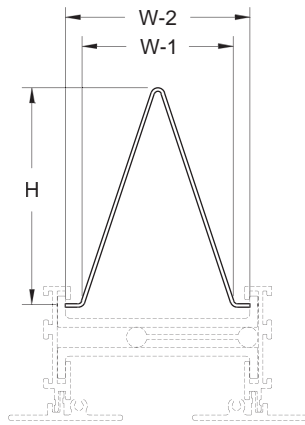
- Material Extruded Aluminum
- C - Combo Pattern Controller
- S - Standard Pattern Controller

All Dimensions ±1/16"

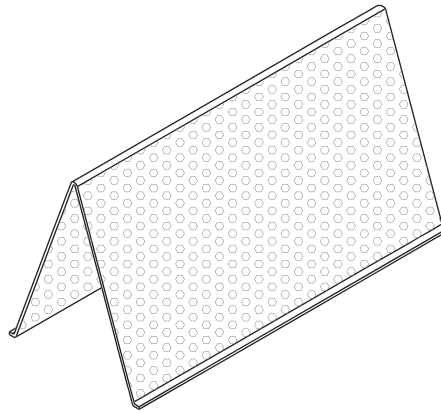
MODEL XG-AFR

Model: XG-AFR-10	1" Slot - Non Insulated
XG-AFR-15	1 1/2" Slot - Non Insulated
XG-AFR-20	2" Slot - Non Insulated
XG-AFR-25	2 1/2" Slot - Non Insulated
XG-AFR-30	3" Slot - Non Insulated

XG-AFR - Return Hood Light Shield



Installation End View



3D View

1 - Slot			
Slot Width	Dim H	Dim W-1	Dim W-2
1"	2 1/2"	2 1/8"	2 5/8"
1 1/2"	2 1/2"	2 5/8"	3 1/8"
2"	2 1/2"	3 1/8"	3 5/8"
2 1/2"	2 1/2"	4 5/8"	5 1/8"
3"	2 1/2"	5 1/8"	5 5/8"

2 - Slot			
Slot Width	Dim H	Dim W-1	Dim W-2
1"	2 1/2"	5 1/16"	5 9/16"
1 1/2"	2 1/2"	6 1/16"	6 9/16"
2"	2 1/2"	7 1/16"	7 9/16"
2 1/2"	2 1/2"	10 1/16"	10 9/16"
3"	2 1/2"	11 10/16"	11 9/16"

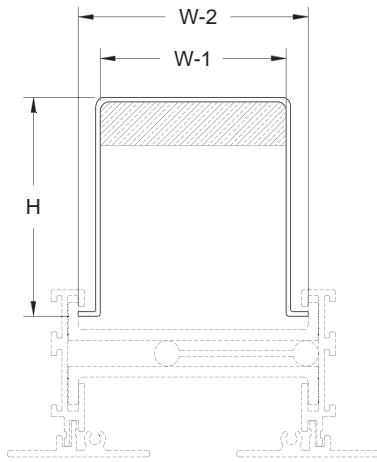
1. Available Finishes	2. Available Accessories	3. Available Options	4. Construction Details
Standard Finish: 03 Black		15/16" Tee System 9/16" Tee System 9/16" Bolt Slot Tee System Hard Ceiling	<ul style="list-style-type: none"> Aluminum Construction Length 48" Field Cut to Fit Finish on interior only

All Dimensions $\pm 1/16"$

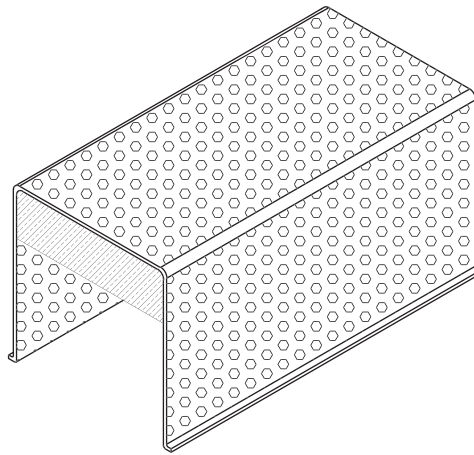
MODEL XG-AFRI

Model: XG-AFRI-10	1" Slot - Insulated
XG-AFRI-15	1 1/2" Slot - Insulated
XG-AFRI-20	2" Slot - Insulated
XG-AFRI-25	2 1/2" Slot - Insulated
XG-AFRI-30	3" Slot - Insulated

XG-AFRI - Return Hood Light Shield - Insulated



Installation End View



3D View

1 Slot			
Slot Width	Dim H	Dim W 1	Dim W 2
1	2 1/2	2 1/8	2 5/8
1 1/2	2 1/2	3 1/8	2 7/8
2	2 1/2	3 3/8	3 5/8
2 1/2	2 1/2	4 7/8	5 1/8
3	2 1/2	5 3/8	5 5/8

2 Slot			
Slot Width	Dim H	Dim W 1	Dim W 2
1	2 1/2	5 5/16	5 9/16
1 1/2	2 1/2	6 5/16	6 9/16
2	2 1/2	7 5/16	7 9/16
2 1/2	2 1/2	10 5/16	10 9/16
3	2 1/2	11 5/16	11 9/16

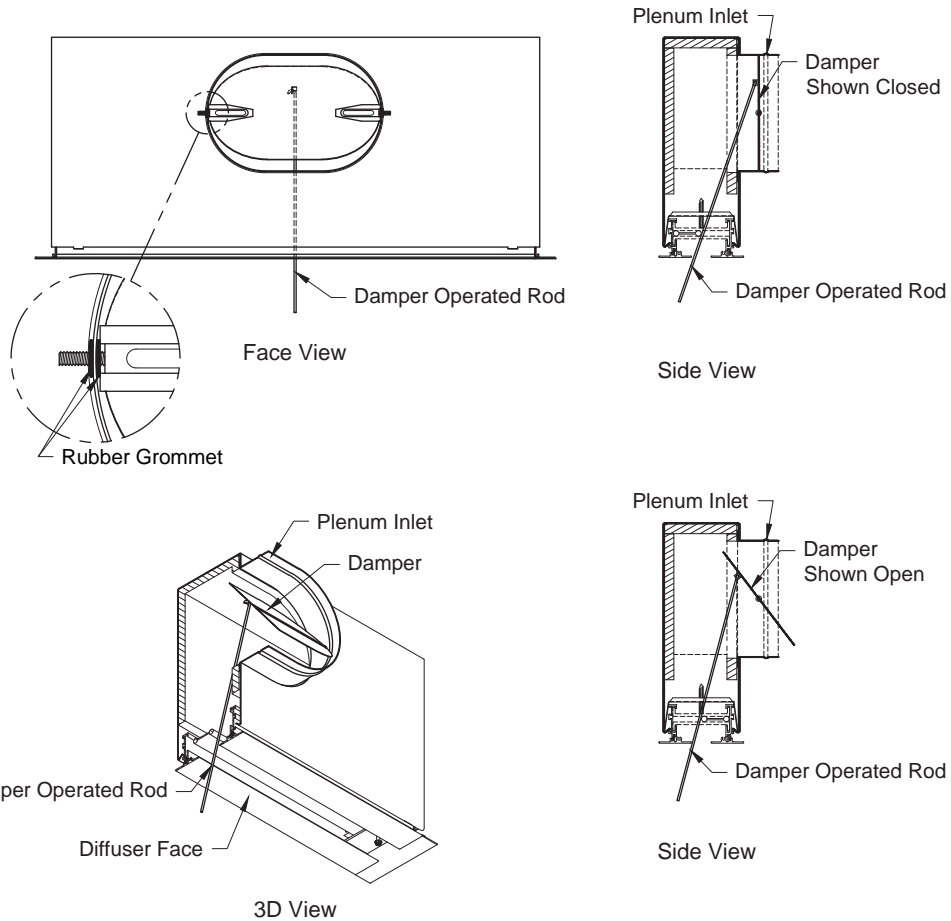
1. Available Finishes	2. Available Accessories	3. Available Options	4. Construction Details
Standard Finish: 03 Black		15/16" Tee System 9/16" Tee System 9/16" Bolt Slot Tee System Hard Ceiling	<ul style="list-style-type: none"> Aluminum Construction Length 48" Field Cut to Fit Finish on interior only

All Dimensions ±1/16"

MODEL XG-FODR

Model: XG-FODR Face-Operated Damper Rod

XG-FODR - Face-Operated Damper Rod



1. Available Finishes

Standard Finish:
24 Mill Finish

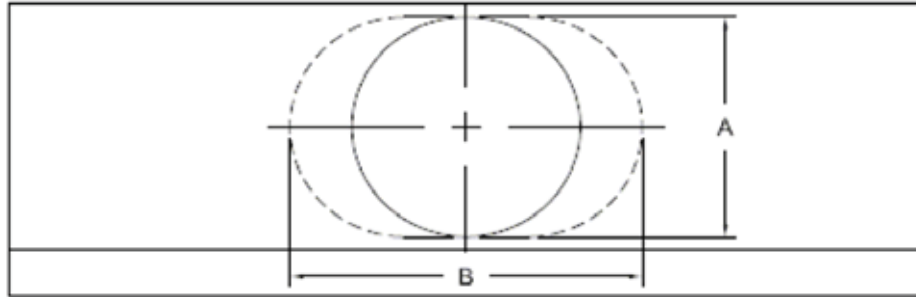
2. Available Accessories

3. Available Options

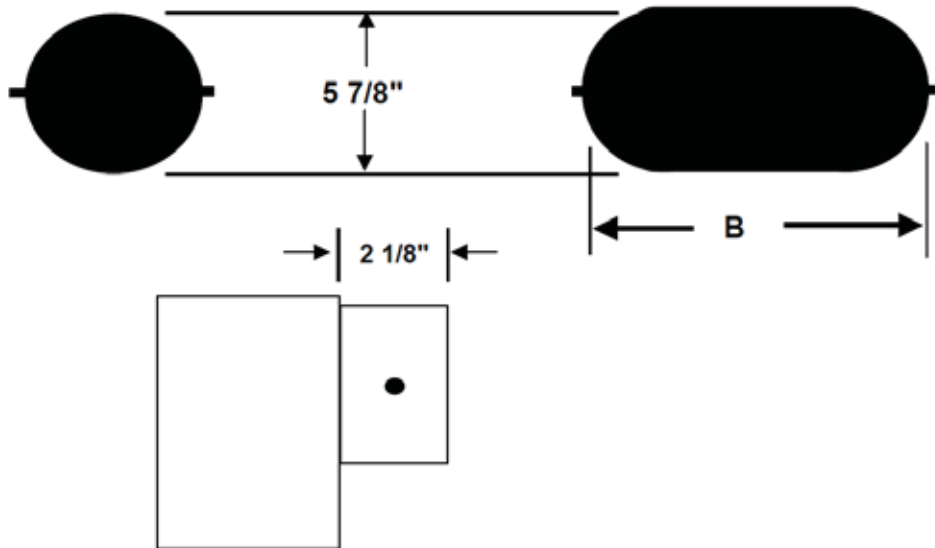
4. Construction Details

- Galvanized Steel Construction

All Dimensions $\pm 1/16"$

FORMATIONS ACCESSORIES
XG-ID - INLET DAMPER


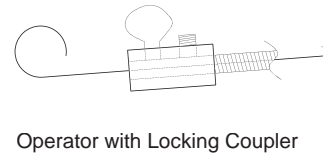
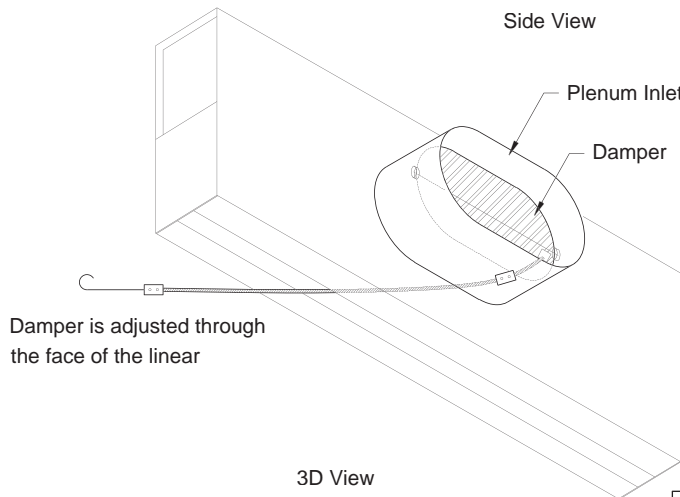
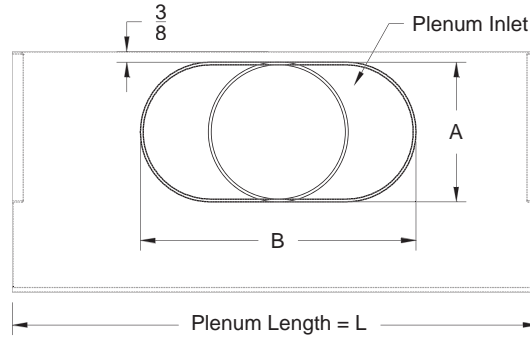
Available Inlets	Round Dim. (A)	Oval Dim. (A x B)
6	5 - 7/8	-
8	-	5 - 7/8 x 8 - 15/16
10	-	5 - 7/8 x 12 - 1/16
12	-	5 - 7/8 x 15 - 1/4
14	-	5 - 7/8 x 18 - 7/16



MODEL XG-ROD

Model: XG-ROD Remote Operated Damper - Locking Coupling - Plenum Accessory

XG-ROD - Remote Operated Damper



Inlet Sizes			
Size	Type	A	B
6	Round	5 7/8	N/A
8	Oval	5 7/8	8 15/16
10	Oval	5 7/8	12 1/16
12	Oval	5 7/8	15 1/4

1. Available Finishes	2. Available Accessories	3. Available Options	4. Construction Details
			<ul style="list-style-type: none"> • 1/2" Aluminum Shaft • Galvanized Blade, Blade Stop • Beaded Steel Collar • Neoprene Bearings • Steel Flexible Casting and Wire • Steel Coupling <p>All Dimensions ±1/16"</p>

LINEAR SLOT DIFFUSERS

The Greenheck line of linear diffusers is designed for applications such as perimeter office space, airport terminals, convention centers and shopping malls. These diffusers are aesthetically pleasing without compromising performance.

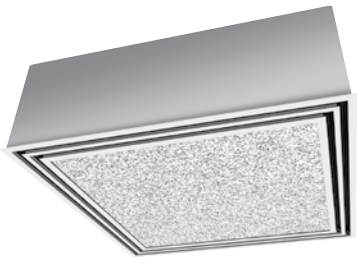
ALUMINUM LINEAR SLOT DIFFUSER



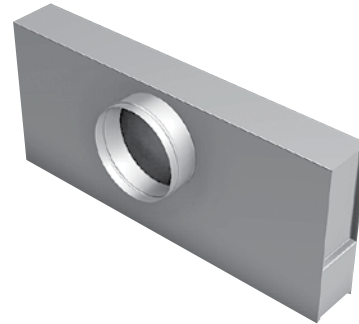
ALUMINUM SPIRAL PIPE SLOT DIFFUSER



ALUMINUM MODULAR SLOT DIFFUSER



PLENUMS



Aluminum Linear Slot Diffuser. The XG-6600 series is an excellent choice for continuous linear applications where the diffuser can direct air along the perimeter wall or glass and toward the occupied area to maximize comfort.

XG-6600 – Aluminum linear supply

XG-6600R – Aluminum linear return.

PAGE 135

Plenums. The XG-UP-6600 series plenum is designed to connect the XG-6600 series linear slot diffuser to the ducted supply or return.

XG-UP-6600 – Boot plenum

XG-UPI-6600 – Boot plenum - Insulated

PAGE 178

Aluminum Spiral Pipe Slot Diffuser. The XG-6600-SP series is designed to integrate into exposed spiral duct systems. The pattern controllers are fully adjustable and can be set from horizontal to vertical discharge.

XG-6610SP – Aluminum spiral pipe supply

XG-6610RSP – Aluminum spiral pipe return

PAGE 201

Aluminum Modular Slot Diffuser. The XG-6600-SQ series modular slot diffuser is designed for lay-in ceiling grids including standard T-bar, Tegular and Donn Finline. The design allows a ceiling tile (by others) to be installed from the face of the diffuser without having to remove the plenum.

XG-6600SQ – Aluminum modular supply

XG-6600SQI – Aluminum modular supply – Insulated

XG-6600SQR – Aluminum modular return

PAGE 207

MODEL XG-6600



Air outlets shall be model XG-6600 (supply) or XG6600R (return) linear slot diffusers manufactured by Greenheck. Units shall be constructed of heavy-gauge extruded aluminum. The units shall be the size and quantity as outlined in the plans and specifications. Units shall be available with .5", .75", 1", or 2" slot widths in one to eight slots and 1.5" slot widths in one to four slots.

For supply linear slot diffusers, the pattern controller shall be curved, aerodynamically shaped, and capable of adjustment from the face of the diffuser. The patterns controller shall allow adjustment from vertical to horizontal patterns as well as damper the volume through the face of the diffuser. Pattern controllers shall be aluminum construction. Steel pattern controllers are not acceptable.

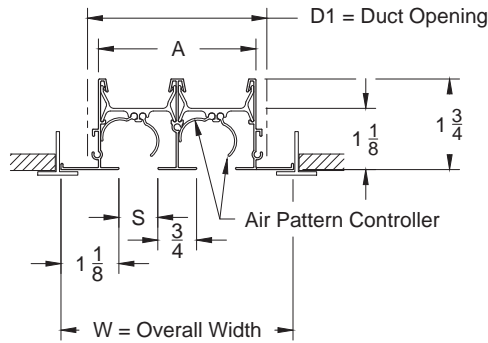
For the return linear slot diffuser, the unit will be provided without pattern controllers to minimize pressure drop and noise. Linear slot diffusers shall be available in one-piece sections up to 8' to provide fewer joints for continuous linear applications.

Supply units shall be furnished with the face white and the pattern controller black. The manufacturer shall provide published performance data. Data shall be tested in accordance with ANSI/ASHRAE Standard 70-2006.

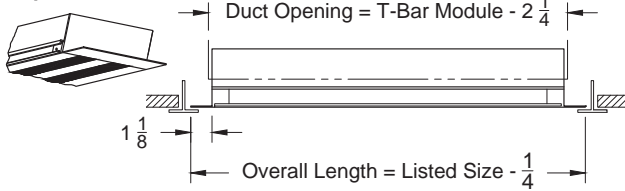
MODEL XG-6600-10-6

Model: XG-6600-10-6 1 1/8" Border - Lay In T-Bar with No Hardware

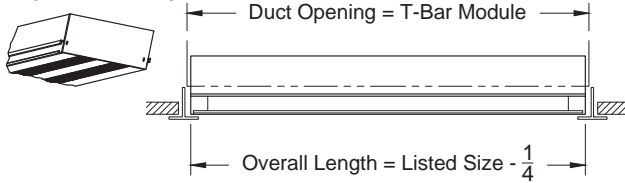
XG-6600-10-6 - Lay In T-Bar, no Hardware



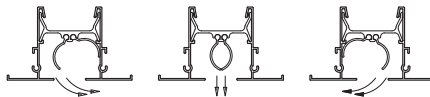
Option: End Border



Option: End Cap



Air Deflection Patterns



Model	S = Slots	NECK	DUCT	FACE
	Slots	A	D1	W
XG-6650	1	1 5/16	1 9/16	2 3/4
	2	2 9/16	2 13/16	4
	3	3 13/16	4 1/16	5 1/4
	4	5 1/16	5 5/16	6 1/2
	5	6 5/16	6 9/16	7 3/4
	6	7 9/16	7 13/16	9
	7	8 13/16	9 1/16	10 1/4
	8	10 1/16	10 5/16	11 1/2
XG-6675	1	1 9/16	1 13/16	3
	2	3 1/16	3 5/16	4 1/2
	3	4 9/16	4 13/16	6
	4	6 1/16	6 5/16	7 1/2
	5	7 9/16	7 13/16	9
	6	9 1/16	9 5/16	10 1/2
	7	10 9/16	10 13/16	12
	8	12 1/16	12 5/16	13 1/2
XG-6610	1	1 13/16	2 1/16	3 1/4
	2	3 9/16	3 13/16	5
	3	5 5/16	5 9/16	6 3/4
	4	7 1/16	7 5/16	8 1/2
	5	8 13/16	9 1/16	10 1/4
	6	10 9/16	10 13/16	12
	7	12 5/16	12 9/16	13 3/4
	8	14 1/16	14 5/16	15 1/2
XG-6615	1	2 5/16	2 9/16	3 3/4
	2	4 9/16	4 13/16	6
	3	6 13/16	7 1/16	8 1/4
	4	9 1/16	9 5/16	10 1/2

1. Available Finishes

Standard Finish:
20 - White Face, Black Back
21 - Clear anodized with Black Pattern
Controller
03 - Black
Optional Finish:
28 - Special/Setup Charge

2. Available Accessories

3. Available Options

MRI - MRI Construction
1EC - (1) End Cap
2EC - (2) End Caps
1EB - (1) End Border
2EB - (2) End Borders
OO - Open / Open

4. Construction Details

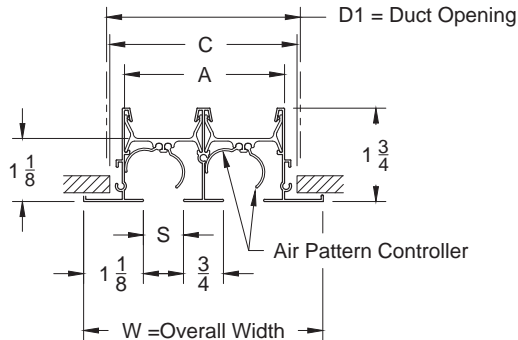
- Sizes available in only 1-8 slots
- Longest single section is 96"
- Continuous lengths are made in sections

All Dimensions ±1/16"

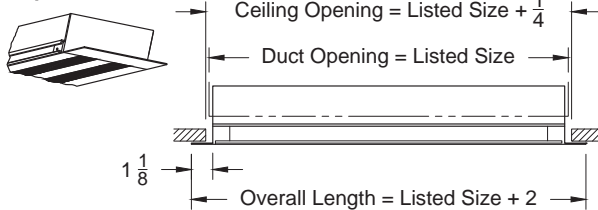
MODEL XG-6600-11-1

Model: XG-6600-11-1 1 1/8" Border - Face Screw Mount with No Hardware

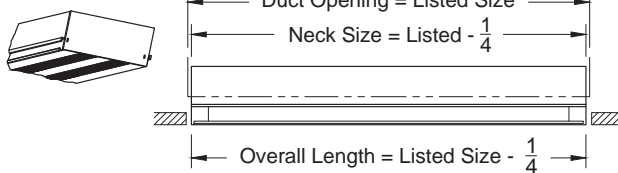
XG-6600-11-1 - Face Screw Mounting, no Hardware



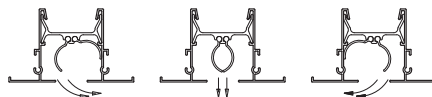
Option: End Border



Option: End Cap



Air Deflection Patterns



Model	S = Slots Slots	NECK	DUCT	OPENING	FACE	
		A	D1	C	W	
XG-6650	1/2" Slots	1	1 5/16	1 9/16	1 13/16	2 3/4
		2	2 9/16	2 13/16	3 1/16	4
		3	3 13/16	4 1/16	4 5/16	5 1/4
		4	5 1/16	5 5/16	5 9/16	6 1/2
		5	6 5/16	6 9/16	6 13/16	7 3/4
		6	7 9/16	7 13/16	8 1/16	9
		7	8 13/16	9 1/16	9 5/16	10 1/4
		8	10 1/16	10 5/16	10 9/16	11 1/2
XG-6675	3/4" Slots	1	1 9/16	1 13/16	2 1/16	3
		2	3 1/16	3 5/16	3 9/16	4 1/2
		3	4 9/16	4 13/16	5 1/16	6
		4	6 1/16	6 5/16	6 9/16	7 1/2
		5	7 9/16	7 13/16	8 1/16	9
		6	9 1/16	9 5/16	9 9/16	10 1/2
		7	10 9/16	10 13/16	11 1/16	12
		8	12 1/16	12 5/16	12 9/16	13 1/2
XG-6610	1" Slots	1	1 13/16	2 1/16	2 5/16	3 1/4
		2	3 9/16	3 13/16	4 1/16	5
		3	5 5/16	5 9/16	5 13/16	6 3/4
		4	7 1/16	7 5/16	7 9/16	8 1/2
		5	8 13/16	9 1/16	9 5/16	10 1/4
		6	10 9/16	10 13/16	11 1/16	12
		7	12 5/16	12 9/16	12 13/16	13 3/4
		8	14 1/16	14 5/16	14 9/16	15 1/2
XG-6615	1 1/2" Slots	1	2 5/16	2 9/16	2 13/16	3 3/4
		2	4 9/16	4 13/16	5 1/16	6
		3	6 13/16	7 1/16	7 5/16	8 1/4
		4	9 1/16	9 5/16	9 9/16	10 1/2

1. Available Finishes

Standard Finish:
 20 - White Face, Black Back
 21 - Clear anodized with Black Pattern
 Controller
 03 - Black
 Optional Finish:
 28 - Special/Setup Charge

2. Available Accessories

3. Available Options

MRI - MRI Construction
 1EC - (1) End Cap
 2EC - (2) End Caps
 1EB - (1) End Border
 2EB - (2) End Borders
 OO - Open / Open

4. Construction Details

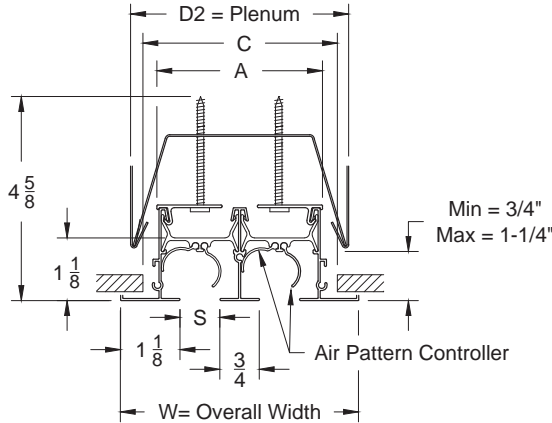
- Sizes available in only 1-8 slots
- Longest single section is 96"
- Continuous lengths are made in sections

All Dimensions ±1/16"

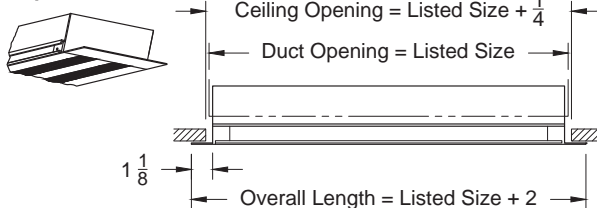
MODEL XG-6600-12-1

Model: XG-6600-12-1 1 1/8" Border - Concealed Surface Mount with Hardware

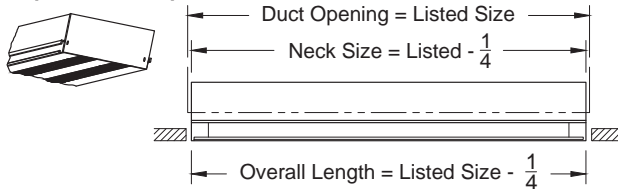
XG-6600-12-1 - Flush Surface Mount, Concealed Hardware



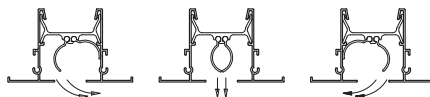
Option: End Border



Option: End Cap



Air Deflection Patterns



Model	S = Slots Slots	NECK	PLENUM	OPENING	FACE	
		A	D2	C	W	
XG-6650	1/2" Slots	1	1 5/16	2 5/16	1 13/16	2 3/4
		2	2 9/16	3 9/16	3 1/16	4
		3	3 13/16	4 13/16	4 5/16	5 1/4
		4	5 1/16	6 1/16	5 9/16	6 1/2
		5	6 5/16	7 5/16	6 13/16	7 3/4
		6	7 9/16	8 9/16	8 1/16	9
		7	8 13/16	9 13/16	9 5/16	10 1/4
		8	10 1/16	11 1/16	10 9/16	11 1/2
XG-6675	3/4" Slots	1	1 9/16	2 9/16	2 1/16	3
		2	3 1/16	4 1/16	3 9/16	4 1/2
		3	4 9/16	5 9/16	5 1/16	6
		4	6 1/16	7 1/16	6 9/16	7 1/2
		5	7 9/16	8 9/16	8 1/16	9
		6	9 1/16	10 1/16	9 9/16	10 1/2
		7	10 9/16	11 9/16	11 1/16	12
		8	12 1/16	13 1/16	12 9/16	13 1/2
XG-6610	1" Slots	1	1 13/16	2 13/16	2 5/16	3 1/4
		2	3 9/16	4 9/16	4 1/16	5
		3	5 5/16	6 5/16	5 13/16	6 3/4
		4	7 1/16	8 1/16	7 9/16	8 1/2
		5	8 13/16	9 13/16	9 5/16	10 1/4
		6	10 9/16	11 9/16	11 1/16	12
		7	12 5/16	13 5/16	12 13/16	13 3/4
		8	14 1/16	15 1/16	14 9/16	15 1/2
XG-6615	1 1/2" Slots	1	2 5/16	3 5/16	2 13/16	3 3/4
		2	4 9/16	5 9/16	5 1/16	6
		3	6 13/16	7 13/16	7 5/16	8 1/4
		4	9 1/16	10 1/16	9 9/16	10 1/2

1. Available Finishes

Standard Finish:
 20 - White Face, Black Back
 21 - Clear anodized with Black Pattern
 Controller
 03 - Black
 Optional Finish:
 28 - Special/Setup Charge

2. Available Accessories

3. Available Options

MRI - MRI Construction
 1EC - (1) End Cap
 2EC - (2) End Caps
 1EB - (1) End Border
 2EB - (2) End Borders
 OO - Open / Open

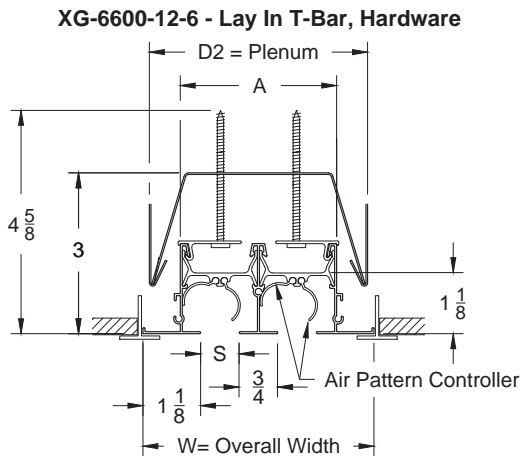
4. Construction Details

- Sizes available in only 1-8 slots
- Longest single section is 96"
- Continuous lengths are made in sections

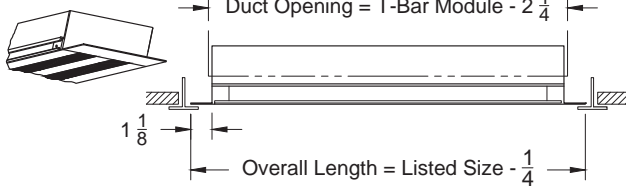
All Dimensions ±1/16"

MODEL XG-6600-12-6

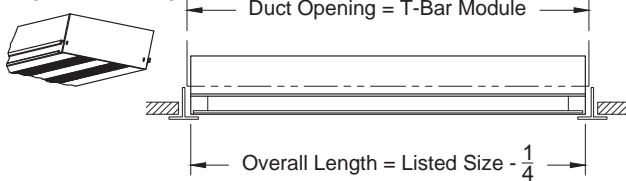
Model: XG-6600-12-6 1 1/8" Border - Lay In T-Bar with Concealed Hardware



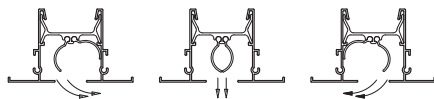
Option: End Border



Option: End Cap



Air Deflection Patterns



Model	S = Slots	NECK	PLENUM	FACE
	Slots	A	D2	W
XG-6650	1	1 5/16	2 5/16	2 3/4
	2	2 9/16	3 9/16	4
	3	3 13/16	4 13/16	5 1/4
	4	5 1/16	6 1/16	6 1/2
	5	6 5/16	7 5/16	7 3/4
	6	7 9/16	8 9/16	9
	7	8 13/16	9 13/16	10 1/4
	8	10 1/16	11 1/16	11 1/2
XG-6675	1	1 9/16	2 9/16	3
	2	3 1/16	4 1/16	4 1/2
	3	4 9/16	5 9/16	6
	4	6 1/16	7 1/16	7 1/2
	5	7 9/16	8 9/16	9
	6	9 1/16	10 1/16	10 1/2
	7	10 9/16	11 9/16	12
	8	12 1/16	13 1/16	13 1/2
XG-6610	1	1 13/16	2 13/16	3 1/4
	2	3 9/16	4 9/16	5
	3	5 5/16	6 5/16	6 3/4
	4	7 1/16	8 1/16	8 1/2
	5	8 13/16	9 13/16	10 1/4
	6	10 9/16	11 9/16	12
	7	12 5/16	13 5/16	13 3/4
	8	14 1/16	15 1/16	15 1/2
XG-6615	1	2 5/16	3 5/16	3 3/4
	2	4 9/16	5 9/16	6
	3	6 13/16	7 13/16	8 1/4
	4	9 1/16	10 1/16	10 1/2

1. Available Finishes

- Standard Finish:
 20 - White Face, Black Back
 21 - Clear anodized with Black Pattern Controller
 03 - Black
 Optional Finish:
 28 - Special/Setup Charge

2. Available Accessories

3. Available Options

- MRI - MRI Construction
 1EC - (1) End Cap
 2EC - (2) End Caps
 1EB - (1) End Border
 2EB - (2) End Borders
 OO - Open / Open

4. Construction Details

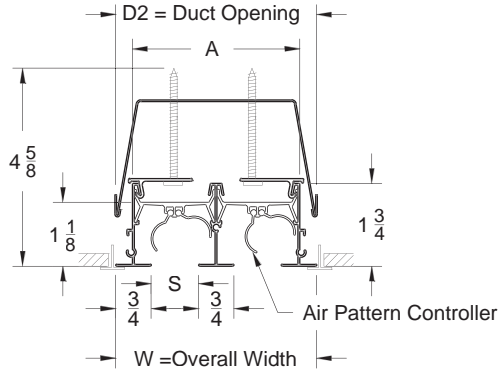
- Sizes available in only 1-8 slots
- Longest single section is 96"
- Continuous lengths are made in sections

All Dimensions ±1/16"

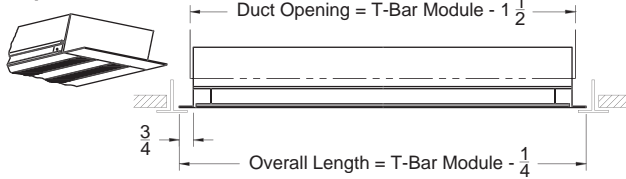
MODEL XG-6600-22-6

Model: XG-6600-22-6 3/4" Border - Lay In T-Bar with Concealed Hardware

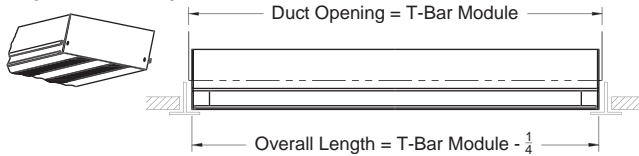
XG-6600-22-6 - Lay In T-Bar, Hardware



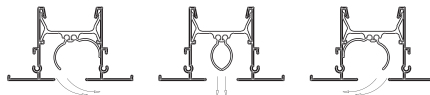
Option: End Border



Option: End Cap



Air Deflection Patterns



Model	S = Slots	A	D2	W	
					Model XG-6650
Model XG-6650	1/2" Slots	2	2 9/16	3 1/16	3 1/4
		3	3 13/16	4 5/16	4 1/2
		4	5 1/16	6	5 3/4
		5	6 5/16	6 13/16	7
		6	7 9/16	8 1/16	8 1/4
		7	8 13/16	9 5/16	9 1/2
		8	10 1/16	11	10 3/4
Model XG-6675	3/4" Slots	1	1 9/16	2 1/16	2 1/4
		2	3 1/16	3 9/16	3 3/4
		3	4 9/16	5 1/16	5 1/4
		4	6 1/16	7	6 3/4
		5	7 9/16	8 1/16	8 1/4
		6	9 1/16	9 9/16	9 3/4
		7	10 9/16	11 1/16	11 1/4
		8	12 1/16	13	12 3/4
Model XG-6610	1" Slots	1	1 13/16	2 5/16	2 1/2
		2	3 9/16	4 1/16	4 1/4
		3	5 5/16	5 13/16	6
		4	7 1/16	8	7 3/4
		5	8 13/16	9 5/16	9 1/2
		6	10 9/16	11 1/16	11 1/4
		7	12 5/16	12 13/16	13
		8	14 1/16	15	14 3/4
Model 6615	1 1/2" Slots	1	2 5/16	2 13/16	3
		2	4 9/16	5 1/16	5 1/4
		3	6 13/16	7 5/16	7 1/2
		4	9 1/16	10	9 3/4
		5	N/A	N/A	N/A
		6	N/A	N/A	N/A
		7	N/A	N/A	N/A
		8	N/A	N/A	N/A

1. Available Finishes

Standard Finish:
20 - White Face, Black Back
21 - Clear anodized with Black Pattern Controller
03 - Black
Optional Finish:
28 - Special/Setup Charge

2. Available Accessories

3. Available Options

MRI - MRI Construction
1EC - (1) End Cap
2EC - (2) End Caps
1EB - (1) End Border
2EB - (2) End Borders
OO - Open / Open

4. Construction Details

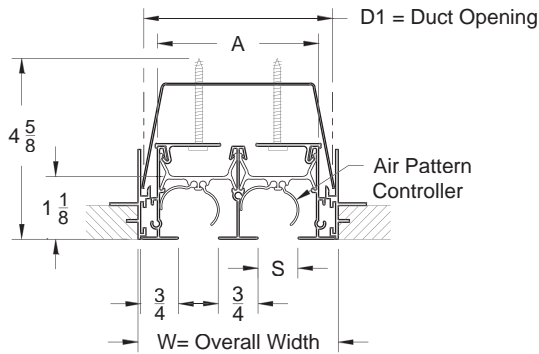
- Sizes available in only 1-8 slots
- Longest single section is 96"
- Continuous lengths are made in sections

All Dimensions ±1/16"

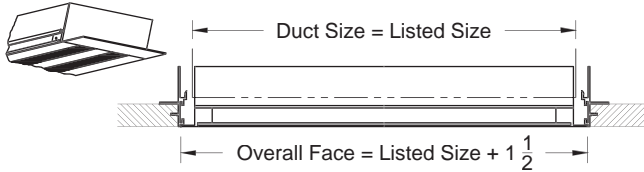
MODEL XG-6600-22-73

Model: XG-6600-22-73 3/4" Border - Concealed Spine Concealed Mount - Plaster Frame

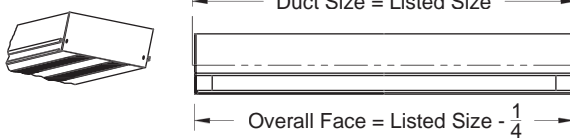
XG-6600-22-73 - Concealed Mount



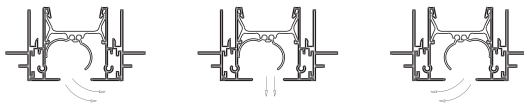
Option: End Border



Option: End Cap



Air Deflection Patterns



		S = Slots	A	D1	W
Model XG-6650	1/2" Slots	1	1 15/16	1 11/16	2 1/8
		2	2 9/16	3	3 3/8
		3	3 13/16	4 3/16	4 5/8
		4	5 1/16	5 7/16	6
		5	6 5/16	6 11/16	7 1/8
		6	7 9/16	8	8 3/8
		7	8 13/16	9 3/16	9 5/8
		8	10 1/16	10 7/16	11
Model XG-6675	3/4" Slots	1	1 9/16	1 15/16	2 3/8
		2	3 1/16	3	3 7/8
		3	4 9/16	4 15/16	5 3/8
		4	6 1/16	6 7/16	7
		5	7 9/16	7 15/16	8 3/8
		6	9 1/16	9	9 7/8
		7	10 9/16	10 15/16	11 3/8
		8	12 1/16	12 7/16	13
Model XG-6610	1" Slots	1	1 13/16	2 3/16	2 5/8
		2	3 9/16	4	4 3/8
		3	5 5/16	5 11/16	6 1/8
		4	7 1/16	7 7/16	8
		5	8 13/16	9 3/16	9 5/8
		6	10 9/16	11	11 3/8
		7	12 5/16	12 11/16	13 1/8
		8	14 1/16	14 7/16	15
Model 6615	1 1/2" Slots	1	2 5/16	2 11/16	3 1/8
		2	4 9/16	5	5 3/8
		3	6 13/16	7 3/16	7 5/8
		4	9 1/16	9 7/16	10
		5	N/A	N/A	N/A
		6	N/A	N/A	N/A
		7	N/A	N/A	N/A
		8	N/A	N/A	N/A

1. Available Finishes

Standard Finish:
 20 - White Face, Black Back
 21 - Clear anodized with Black Pattern Controller
 03 - Black
 Optional Finish:
 28 - Special/Setup Charge

2. Available Accessories

3. Available Options

MRI - MRI Construction
 1EC - (1) End Cap
 2EC - (2) End Caps
 1EB - (1) End Border
 2EB - (2) End Borders
 OO - Open / Open

4. Construction Details

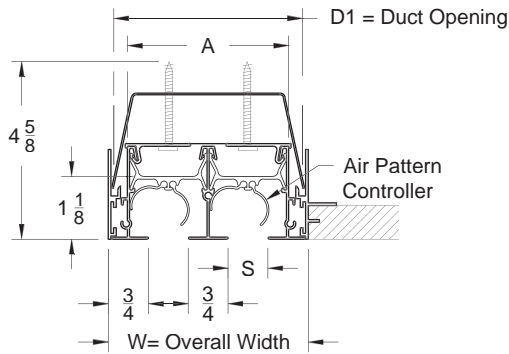
- Sizes available in only 1-8 slots
- Longest single section is 96"
- Continuous lengths are made in sections

All Dimensions ±1/16"

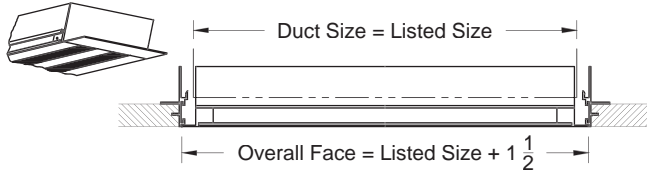
MODEL XG-6600-22-74

Model: XG-6600-22-74 3/4" Border - Concealed Spine Concealed Mount - Wall Frame / Plaster Frame

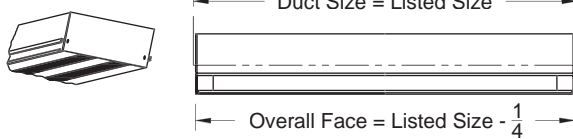
XG-6600-22-74 - Concealed Mount



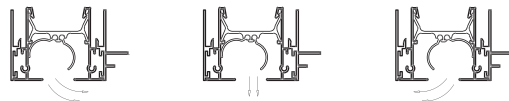
Option: End Border



Option: End Cap



Air Deflection Patterns



S = Slots		A	D1	W	
Model XG-6650	1/2" Slots	1	1 15/16	1 11/16	2 1/8
		2	2 9/16	3	3 3/8
		3	3 13/16	4 3/16	4 5/8
		4	5 1/16	5 7/16	6
		5	6 5/16	6 11/16	7 1/8
		6	7 9/16	8	8 3/8
		7	8 13/16	9 3/16	9 5/8
		8	10 1/16	10 7/16	11
Model XG-6675	3/4" Slots	1	1 9/16	1 15/16	2 3/8
		2	3 1/16	3	3 7/8
		3	4 9/16	4 15/16	5 3/8
		4	6 1/16	6 7/16	7
		5	7 9/16	7 15/16	8 3/8
		6	9 1/16	9	9 7/8
		7	10 9/16	10 15/16	11 3/8
		8	12 1/16	12 7/16	13
Model XG-6610	1" Slots	1	1 13/16	2 3/16	2 5/8
		2	3 9/16	4	4 3/8
		3	5 5/16	5 11/16	6 1/8
		4	7 1/16	7 7/16	8
		5	8 13/16	9 3/16	9 5/8
		6	10 9/16	11	11 3/8
		7	12 5/16	12 11/16	13 1/8
		8	14 1/16	14 7/16	15
Model 6615	1 1/2" Slots	1	2 5/16	2 11/16	3 1/8
		2	4 9/16	5	5 3/8
		3	6 13/16	7 3/16	7 5/8
		4	9 1/16	9 7/16	10
		5	N/A	N/A	N/A
		6	N/A	N/A	N/A
		7	N/A	N/A	N/A
		8	N/A	N/A	N/A

1. Available Finishes

Standard Finish:
20 - White Face, Black Back
21 - Clear anodized with Black Pattern Controller
03 - Black
Optional Finish:
28 - Special/Setup Charge

2. Available Accessories

3. Available Options

MRI - MRI Construction
1EC - (1) End Cap
2EC - (2) End Caps
1EB - (1) End Border
2EB - (2) End Borders
OO - Open / Open

4. Construction Details

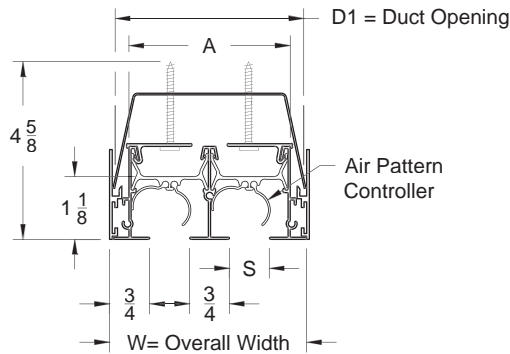
- Sizes available in only 1-8 slots
- Longest single section is 96"
- Continuous lengths are made in sections

All Dimensions ±1/16"

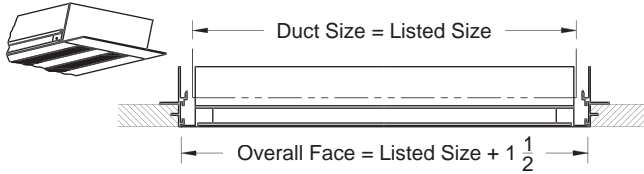
MODEL XG-6600-22-75

Model: XG-6600-22-75 3/4" Border - Concealed Spline Concealed Mount - Wall Frame

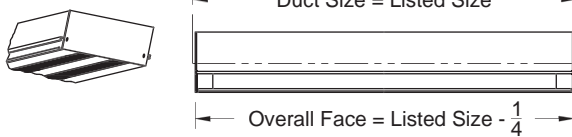
XG-6600-22-75 - Concealed Mount



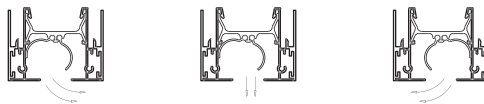
Option: End Border



Option: End Cap



Air Deflection Patterns



		S = Slots	A	D1	W
Model XG-6650	1/2" Slots	1	1 15/16	1 11/16	2 1/8
		2	2 9/16	3	3 3/8
		3	3 13/16	4 3/16	4 5/8
		4	5 1/16	5 7/16	6
		5	6 5/16	6 11/16	7 1/8
		6	7 9/16	8	8 3/8
		7	8 13/16	9 3/16	9 5/8
		8	10 1/16	10 7/16	11
Model XG-6675	3/4" Slots	1	1 9/16	1 15/16	2 3/8
		2	3 1/16	3	3 7/8
		3	4 9/16	4 15/16	5 3/8
		4	6 1/16	6 7/16	7
		5	7 9/16	7 15/16	8 3/8
		6	9 1/16	9	9 7/8
		7	10 9/16	10 15/16	11 3/8
		8	12 1/16	12 7/16	13
Model XG-6610	1" Slots	1	1 13/16	2 3/16	2 5/8
		2	3 9/16	4	4 3/8
		3	5 5/16	5 11/16	6 1/8
		4	7 1/16	7 7/16	8
		5	8 13/16	9 3/16	9 5/8
		6	10 9/16	11	11 3/8
		7	12 5/16	12 11/16	13 1/8
		8	14 1/16	14 7/16	15
Model 6615	1 1/2" Slots	1	2 5/16	2 11/16	3 1/8
		2	4 9/16	5	5 3/8
		3	6 13/16	7 3/16	7 5/8
		4	9 1/16	9 7/16	10
		5	N/A	N/A	N/A
		6	N/A	N/A	N/A
		7	N/A	N/A	N/A
		8	N/A	N/A	N/A

1. Available Finishes

Standard Finish:
 20 - White Face, Black Back
 21 - Clear anodized with Black Pattern Controller
 03 - Black
 Optional Finish:
 28 - Special/Setup Charge

2. Available Accessories

3. Available Options

MRI - MRI Construction
 1EC - (1) End Cap
 2EC - (2) End Caps
 1EB - (1) End Border
 2EB - (2) End Borders
 OO - Open / Open

4. Construction Details

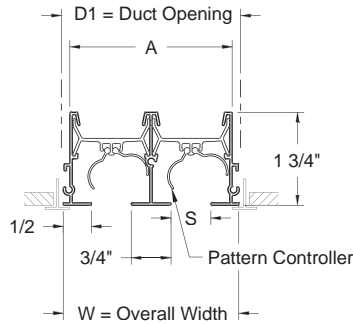
- Sizes available in only 1-8 slots
- Longest single section is 96"
- Continuous lengths are made in sections

All Dimensions ±1/16"

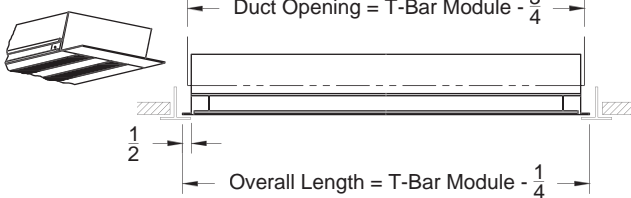
MODEL XG-6600-30-6

Model: XG-6600-30-6 1/2" Border - Lay In T-Bar with No Hardware

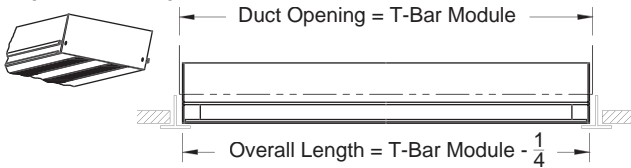
XG-6600-30-6 - Lay In T-Bar, no Hardware



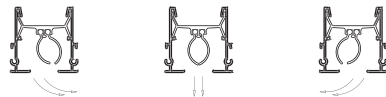
Option: End Border



Option: End Cap



Air Deflection Patterns



		S = Slots	A	D1	W
Model XG-6650	1/2" Slots	1	1 5/16	1 9/16	1 9/16
		2	2 9/16	3	2 13/16
		3	3 13/16	4 1/16	4 1/16
		4	5 1/16	5 5/16	5 5/16
		5	6 5/16	6 9/16	6 9/16
		6	7 9/16	8	7 13/16
		7	8 13/16	9 1/16	9 1/16
		8	10 1/16	10 5/16	10 5/16
Model XG-6675	3/4" Slots	1	1 9/16	1 13/16	1 13/16
		2	3 1/16	3	3 5/16
		3	4 9/16	4 13/16	4 13/16
		4	6 1/16	6 5/16	6 5/16
		5	7 9/16	7 13/16	7 13/16
		6	9 1/16	9	9 5/16
		7	10 9/16	10 13/16	10 13/16
		8	12 1/16	12 5/16	12 5/16
Model XG-6610	1" Slots	1	1 13/16	2 1/16	2 1/16
		2	3 9/16	4	3 13/16
		3	5 5/16	5 9/16	5 9/16
		4	7 1/16	7 5/16	7 5/16
		5	8 13/16	9 1/16	9 1/16
		6	10 9/16	11	10 13/16
		7	12 5/16	12 9/16	12 9/16
		8	14 1/16	14 5/16	14 5/16
Model 6615	1 1/2" Slots	1	2 5/16	2 9/16	2 9/16
		2	4 9/16	5	4 13/16
		3	6 13/16	7 1/16	7 1/16
		4	9 1/16	9 5/16	9 5/16
		5	N/A	N/A	N/A
		6	N/A	N/A	N/A
		7	N/A	N/A	N/A
		8	N/A	N/A	N/A

1. Available Finishes

Standard Finish:
20 - White Face, Black Back
21 - Clear anodized with Black Pattern Controller
03 - Black
Optional Finish:
28 - Special/Setup Charge

2. Available Accessories

3. Available Options

MRI - MRI Construction
1EC - (1) End Cap
2EC - (2) End Caps
1EB - (1) End Border
2EB - (2) End Borders
OO - Open / Open

4. Construction Details

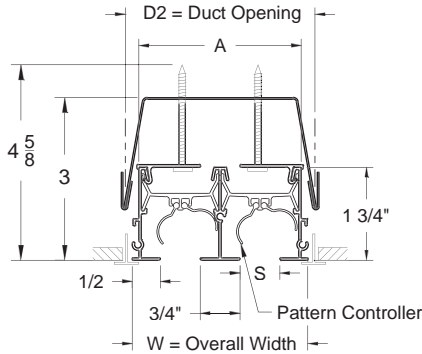
- Sizes available in only 1-8 slots
- Longest single section is 96"
- Continuous lengths are made in sections

All Dimensions ±1/16"

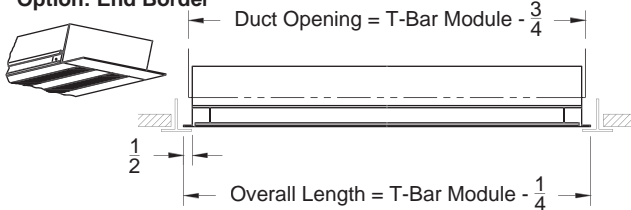
MODEL XG-6600-32-6

Model: XG-6600-32-6 1/2" Border - Lay In T-Bar with Concealed Hardware

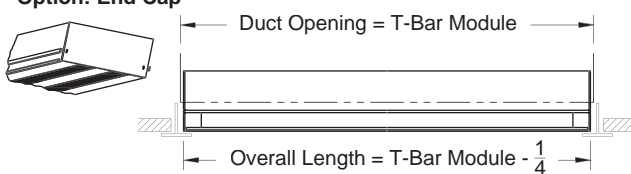
XG-6600-32-6 - Lay In T-Bar, Hardware



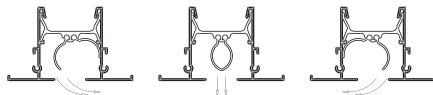
Option: End Border



Option: End Cap



Air Deflection Patterns



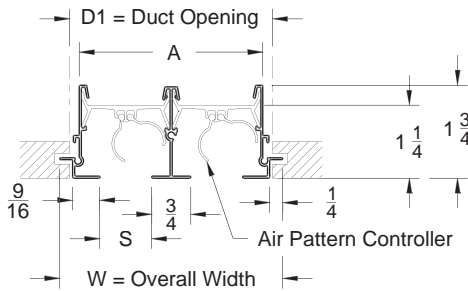
		S = Slots	A	D2	W
Model XG-6650	1/2" Slots	1	1 5/16	1 13/16	1 9/16
		2	2 9/16	3 1/16	2 13/16
		3	3 13/16	4 5/16	4 1/16
		4	5 1/16	6	5 5/16
		5	6 5/16	6 13/16	6 9/16
		6	7 9/16	8 1/16	7 13/16
		7	8 13/16	9 5/16	9 1/16
		8	10 1/16	11	10 5/16
Model XG-6675	3/4" Slots	1	1 9/16	2 1/16	1 13/16
		2	3 1/16	3 9/16	3 5/16
		3	4 9/16	5 1/16	4 13/16
		4	6 1/16	7	6 5/16
		5	7 9/16	8 1/16	7 13/16
		6	9 1/16	9 9/16	9 5/16
		7	10 9/16	11 1/16	10 13/16
		8	12 1/16	13	12 5/16
Model XG-6610	1" Slots	1	1 13/16	2 5/16	2 1/16
		2	3 9/16	4 1/16	3 13/16
		3	5 5/16	5 13/16	5 9/16
		4	7 1/16	8	7 5/16
		5	8 13/16	9 5/16	9 1/16
		6	10 9/16	11 1/16	10 13/16
		7	12 5/16	12 13/16	12 9/16
		8	14 1/16	15	14 5/16
Model 6615	1 1/2" Slots	1	2 5/16	2 13/16	2 9/16
		2	4 9/16	5 1/16	4 13/16
		3	6 13/16	7 5/16	7 1/16
		4	9 1/16	10	9 5/16
		5	N/A	N/A	N/A
		6	N/A	N/A	N/A
		7	N/A	N/A	N/A
		8	N/A	N/A	N/A

1. Available Finishes	2. Available Accessories	3. Available Options	4. Construction Details
Standard Finish: 20 - White Face, Black Back 21 - Clear anodized with Black Pattern Controller 03 - Black Optional Finish: 28 - Special/Setup Charge		MRI - MRI Construction 1EC - (1) End Cap 2EC - (2) End Caps 1EB - (1) End Border 2EB - (2) End Borders OO - Open / Open	<ul style="list-style-type: none"> Sizes available in only 1-8 slots Longest single section is 96" Continuous lengths are made in sections
All Dimensions ±1/16"			

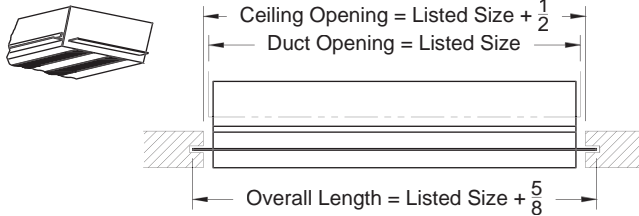
MODEL XG-6600-40-7

Model: XG-6600-40-7 9/16" Border - Concealed Spline with No Hardware

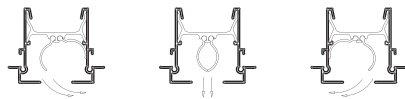
XG-6600-40-7 - Concealed Spline



Option: End Border



Air Deflection Patterns



		S = Slots	A	D1	W
Model XG-6650	1/2" Slots	1	1 5/16	1 9/16	2 1/16
		2	2 9/16	3	3 5/16
		3	3 13/16	4 1/16	4 9/16
		4	5 1/16	5 5/16	5 13/16
		5	6 5/16	6 9/16	7 1/16
		6	7 9/16	8	8 5/16
		7	8 13/16	9 1/16	9 9/16
		8	10 1/16	10 5/16	10 13/16
Model XG-6675	3/4" Slots	1	1 9/16	1 13/16	2 5/16
		2	3 1/16	3	3 13/16
		3	4 9/16	4 13/16	5 5/16
		4	6 1/16	6 5/16	6 13/16
		5	7 9/16	7 13/16	8 5/16
		6	9 1/16	9	9 13/16
		7	10 9/16	10 13/16	11 5/16
		8	12 1/16	12 5/16	12 13/16
Model XG-6610	1" Slots	1	1 13/16	2 1/16	2 9/16
		2	3 9/16	4	4 5/16
		3	5 5/16	5 9/16	6 1/16
		4	7 1/16	7 5/16	7 13/16
		5	8 13/16	9 1/16	9 9/16
		6	10 9/16	11	11 5/16
		7	12 5/16	12 9/16	13 1/16
		8	14 1/16	14 5/16	14 13/16
Model XG-6615	1 1/2" Slots	1	2 5/16	2 9/16	3 1/16
		2	4 9/16	5	5 5/16
		3	6 13/16	7 1/16	7 9/16
		4	9 1/16	9 5/16	9 13/16
		5	N/A	N/A	N/A
		6	N/A	N/A	N/A
		7	N/A	N/A	N/A
		8	N/A	N/A	N/A

1. Available Finishes

Standard Finish:
20 - White Face, Black Back
21 - Clear anodized with Black Pattern Controller
03 - Black
Optional Finish:
28 - Special/Setup Charge

2. Available Accessories

3. Available Options

MRI - MRI Construction
1EC - (1) End Cap
2EC - (2) End Caps
1EB - (1) End Border
2EB - (2) End Borders
OO - Open / Open

4. Construction Details

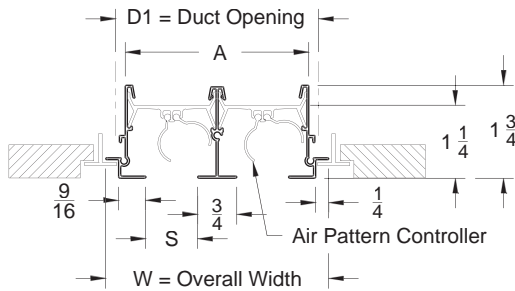
- Sizes available in only 1-8 slots
- Longest single section is 96"
- Continuous lengths are made in sections

All Dimensions ±1/16"

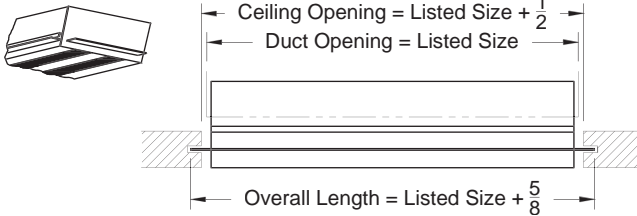
MODEL XG-6600-40-8

Model: XG-6600-40-8 9/16" Border - Drop Face, No Hardware

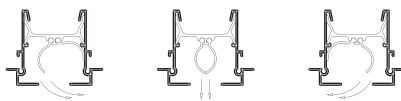
XG-6600-40-8 - Drop Face



Option: End Border



Air Deflection Patterns



		S = Slots	A	D1	W
Model XG-6650	1/2" Slots	1	1 5/16	1 9/16	2 1/16
		2	2 9/16	3	3 5/16
		3	3 13/16	4 1/16	4 9/16
		4	5 1/16	5 5/16	5 13/16
		5	6 5/16	6 9/16	7 1/16
		6	7 9/16	8	8 5/16
		7	8 13/16	9 1/16	9 9/16
		8	10 1/16	10 5/16	10 13/16
Model XG-6675	3/4" Slots	1	1 9/16	1 13/16	2 5/16
		2	3 1/16	3	3 13/16
		3	4 9/16	4 13/16	5 5/16
		4	6 1/16	6 5/16	6 13/16
		5	7 9/16	7 13/16	8 5/16
		6	9 1/16	9	9 13/16
		7	10 9/16	10 13/16	11 5/16
		8	12 1/16	12 5/16	12 13/16
Model XG-6610	1" Slots	1	1 13/16	2 1/16	2 9/16
		2	3 9/16	4	4 5/16
		3	5 5/16	5 9/16	6 1/16
		4	7 1/16	7 5/16	7 13/16
		5	8 13/16	9 1/16	9 9/16
		6	10 9/16	11	11 5/16
		7	12 5/16	12 9/16	13 1/16
		8	14 1/16	14 5/16	14 13/16
Model XG-6615	1 1/2" Slots	1	2 5/16	11 5/16	3 1/16
		2	4 9/16	14	5 5/16
		3	6 13/16	15 13/16	7 9/16
		4	9 1/16	18 1/16	9 13/16
		5	N/A	N/A	N/A
		6	N/A	N/A	N/A
		7	N/A	N/A	N/A
		8	N/A	N/A	N/A

1. Available Finishes

Standard Finish:
 20 - White Face, Black Back
 21 - Clear anodized with Black Pattern Controller
 03 - Black
 Optional Finish:
 28 - Special/Setup Charge

2. Available Accessories

3. Available Options

MRI - MRI Construction
 1EC - (1) End Cap
 2EC - (2) End Caps
 1EB - (1) End Border
 2EB - (2) End Borders
 OO - Open / Open

4. Construction Details

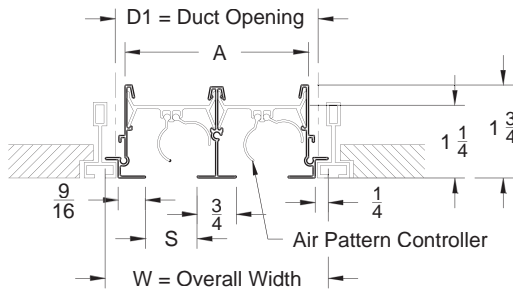
- Sizes available in only 1-8 slots
- Longest single section is 96"
- Continuous lengths are made in sections

All Dimensions ±1/16"

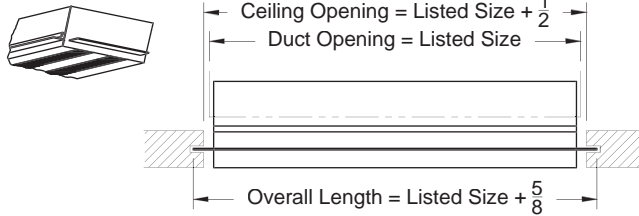
MODEL XG-6600-40-9

Model: XG-6600-40-9 9/16" Border - Narrow Tee, No Hardware

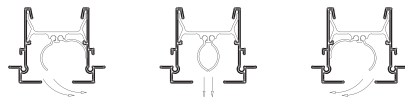
XG-6600-40-9 - Narrow Tee



Option: End Border



Air Deflection Patterns



		S = Slots	A	D1	W
Model XG-6650	1/2" Slots	1	1 5/16	1 9/16	2 1/16
		2	2 9/16	3	3 5/16
		3	3 13/16	4 1/16	4 9/16
		4	5 1/16	5 5/16	5 13/16
		5	6 5/16	6 9/16	7 1/16
		6	7 9/16	8	8 5/16
		7	8 13/16	9 1/16	9 9/16
		8	10 1/16	10 5/16	10 13/16
Model XG-6675	3/4" Slots	1	1 9/16	1 13/16	2 5/16
		2	3 1/16	3	3 13/16
		3	4 9/16	4 13/16	5 5/16
		4	6 1/16	6 5/16	6 13/16
		5	7 9/16	7 13/16	8 5/16
		6	9 1/16	9	9 13/16
		7	10 9/16	10 13/16	11 5/16
		8	12 1/16	12 5/16	12 13/16
Model XG-6610	1" Slots	1	1 13/16	2 1/16	2 9/16
		2	3 9/16	4	4 5/16
		3	5 5/16	5 9/16	6 1/16
		4	7 1/16	7 5/16	7 13/16
		5	8 13/16	9 1/16	9 9/16
		6	10 9/16	11	11 5/16
		7	12 5/16	12 9/16	13 1/16
		8	14 1/16	14 5/16	14 13/16
Model XG-6615	1 1/2" Slots	1	2 5/16	11 5/16	3 1/16
		2	4 9/16	14	5 5/16
		3	6 13/16	15 13/16	7 9/16
		4	9 1/16	18 1/16	9 13/16
		5	N/A	N/A	N/A
		6	N/A	N/A	N/A
		7	N/A	N/A	N/A
		8	N/A	N/A	N/A

1. Available Finishes

Standard Finish:
20 - White Face, Black Back
21 - Clear anodized with Black Pattern Controller
03 - Black
Optional Finish:
28 - Special/Setup Charge

2. Available Accessories

3. Available Options

MRI - MRI Construction
1EC - (1) End Cap
2EC - (2) End Caps
1EB - (1) End Border
2EB - (2) End Borders
OO - Open / Open

4. Construction Details

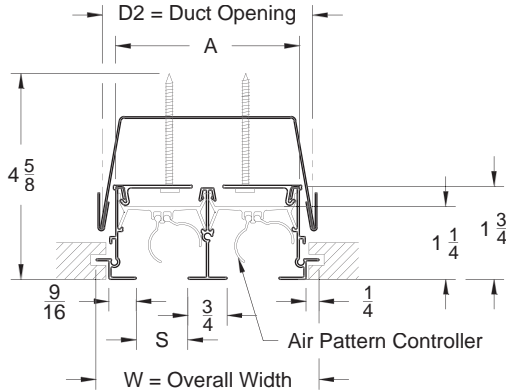
- Sizes available in only 1-8 slots
- Longest single section is 96"
- Continuous lengths are made in sections

All Dimensions $\pm 1/16"$

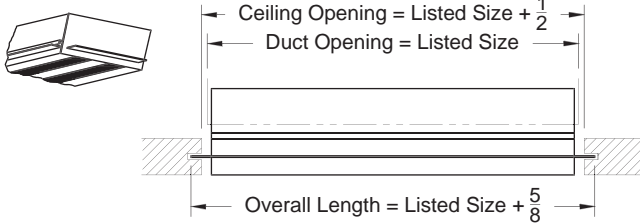
MODEL XG-6600-42-7

Model: XG-6600-42-7 9/16" Border - Concealed Spline with Concealed Mounting Hardware

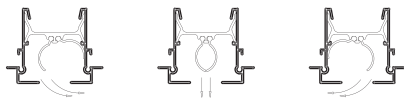
XG-6600-42-7 - Concealed Spline



Option: End Border



Air Deflection Patterns



Model	S = Slots	A	D2	W	
					1
Model XG-6650	1/2" Slots	2	2 9/16	3 1/8	3 5/16
		3	3 13/16	4 3/8	4 9/16
		4	5 1/16	6	5 13/16
		5	6 5/16	6 7/8	7 1/16
		6	7 9/16	8 1/8	8 5/16
		7	8 13/16	9 3/8	9 9/16
		8	10 1/16	11	10 13/16
		Model XG-6675	3/4" Slots	1	1 9/16
2	3 1/16			3 5/8	3 13/16
3	4 9/16			5 1/8	5 5/16
4	6 1/16			7	6 13/16
5	7 9/16			8 1/8	8 5/16
6	9 1/16			9 5/8	9 13/16
7	10 9/16			11 1/8	11 5/16
8	12 1/16			13	12 13/16
Model XG-6610	1" Slots	1	1 13/16	2 3/8	2 9/16
		2	3 9/16	4 1/8	4 5/16
		3	5 5/16	5 7/8	6 1/16
		4	7 1/16	8	7 13/16
		5	8 13/16	9 3/8	9 9/16
		6	10 9/16	11 1/8	11 5/16
		7	12 5/16	12 7/8	13 1/16
		8	14 1/16	15	14 13/16
Model XG-6615	1 1/2" Slots	1	2 5/16	2 7/8	3 1/16
		2	4 9/16	5 1/8	5 5/16
		3	6 13/16	7 3/8	7 9/16
		4	9 1/16	10	9 13/16
		5	N/A	N/A	N/A
		6	N/A	N/A	N/A
		7	N/A	N/A	N/A
		8	N/A	N/A	N/A

1. Available Finishes

Standard Finish:
 20 - White Face, Black Back
 21 - Clear anodized with Black Pattern Controller
 03 - Black
 Optional Finish:
 28 - Special/Setup Charge

2. Available Accessories

3. Available Options

MRI - MRI Construction
 1EC - (1) End Cap
 2EC - (2) End Caps
 1EB - (1) End Border
 2EB - (2) End Borders
 OO - Open / Open

4. Construction Details

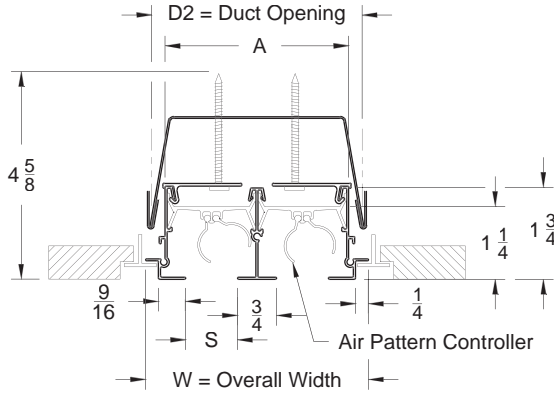
- Sizes available in only 1-8 slots
- Longest single section is 96"
- Continuous lengths are made in sections

All Dimensions ±1/16"

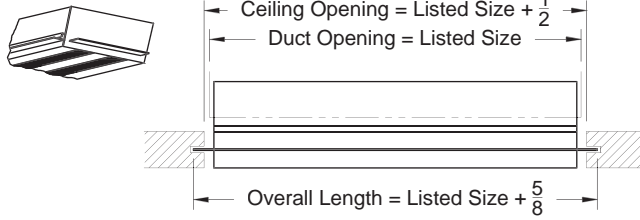
MODEL XG-6600-42-8

Model: XG-6600-42-8 9/16" Border - Drop Face with Concealed Mounting Hardware

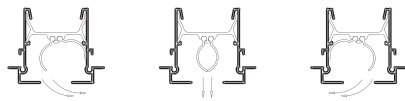
XG-6600-42-8 - Drop Face



Option: End Border



Air Deflection Patterns



		S = Slots	A	D2	W
Model XG-6650	1/2" Slots	1	1 5/16	1 7/8	2 1/16
		2	2 9/16	3 1/8	3 5/16
		3	3 13/16	4 3/8	4 9/16
		4	5 1/16	6	5 13/16
		5	6 5/16	6 7/8	7 1/16
		6	7 9/16	8 1/8	8 5/16
		7	8 13/16	9 3/8	9 9/16
		8	10 1/16	11	10 13/16
Model XG-6675	3/4" Slots	1	1 9/16	2 1/8	2 5/16
		2	3 1/16	3 5/8	3 13/16
		3	4 9/16	5 1/8	5 5/16
		4	6 1/16	7	6 13/16
		5	7 9/16	8 1/8	8 5/16
		6	9 1/16	9 5/8	9 13/16
		7	10 9/16	11 1/8	11 5/16
		8	12 1/16	13	12 13/16
Model XG-6610	1" Slots	1	1 13/16	2 3/8	2 9/16
		2	3 9/16	4 1/8	4 5/16
		3	5 5/16	5 7/8	6 1/16
		4	7 1/16	8	7 13/16
		5	8 13/16	9 3/8	9 9/16
		6	10 9/16	11 1/8	11 5/16
		7	12 5/16	12 7/8	13 1/16
		8	14 1/16	15	14 13/16
Model XG-6615	1 1/2" Slots	1	2 5/16	11 5/8	3 1/16
		2	4 9/16	13 7/8	5 5/16
		3	6 13/16	16 1/8	7 9/16
		4	9 1/16	18	9 13/16
		5	N/A	N/A	N/A
		6	N/A	N/A	N/A
		7	N/A	N/A	N/A
		8	N/A	N/A	N/A

1. Available Finishes

Standard Finish:
20 - White Face, Black Back
21 - Clear anodized with Black Pattern
Controller
03 - Black
Optional Finish:
28 - Special/Setup Charge

2. Available Accessories

3. Available Options

MRI - MRI Construction
1EC - (1) End Cap
2EC - (2) End Caps
1EB - (1) End Border
2EB - (2) End Borders
OO - Open / Open

4. Construction Details

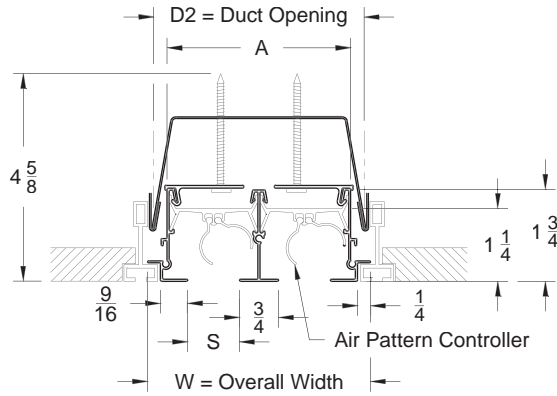
- Sizes available in only 1-8 slots
- Longest single section is 96"
- Continuous lengths are made in sections

All Dimensions ±1/16"

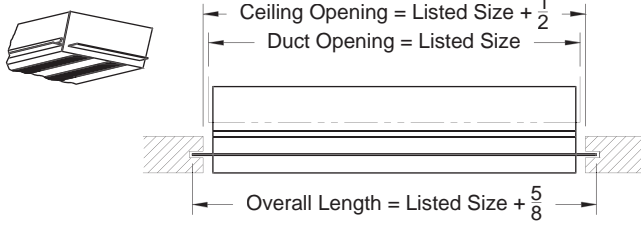
MODEL XG-6600-42-9

Model: XG-6600-42-9 9/16" Border - Narrow Tee with Concealed Mounting Hardware

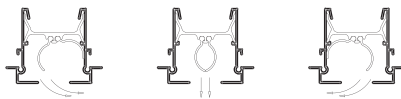
XG-6600-42-9 - Narrow Tee



Option: End Border



Air Deflection Patterns



		S = Slots	A	D2	W
Model XG-6650	1/2" Slots	1	1 5/16	1 7/8	2 1/16
		2	2 9/16	3 1/8	3 5/16
		3	3 13/16	4 3/8	4 9/16
		4	5 1/16	6	5 13/16
		5	6 5/16	6 7/8	7 1/16
		6	7 9/16	8 1/8	8 5/16
		7	8 13/16	9 3/8	9 9/16
		8	10 1/16	11	10 13/16
Model XG-6675	3/4" Slots	1	1 9/16	2 1/8	2 5/16
		2	3 1/16	3 5/8	3 13/16
		3	4 9/16	5 1/8	5 5/16
		4	6 1/16	7	6 13/16
		5	7 9/16	8 1/8	8 5/16
		6	9 1/16	9 5/8	9 13/16
		7	10 9/16	11 1/8	11 5/16
		8	12 1/16	13	12 13/16
Model XG-6610	1" Slots	1	1 13/16	2 3/8	2 9/16
		2	3 9/16	4 1/8	4 5/16
		3	5 5/16	5 7/8	6 1/16
		4	7 1/16	8	7 13/16
		5	8 13/16	9 3/8	9 9/16
		6	10 9/16	11 1/8	11 5/16
		7	12 5/16	12 7/8	13 1/16
		8	14 1/16	15	14 13/16
Model XG-6615	1 1/2" Slots	1	2 5/16	11 5/8	3 1/16
		2	4 9/16	13 7/8	5 5/16
		3	6 13/16	16 1/8	7 9/16
		4	9 1/16	18	9 13/16
		5	N/A	N/A	N/A
		6	N/A	N/A	N/A
		7	N/A	N/A	N/A
		8	N/A	N/A	N/A

1. Available Finishes

Standard Finish:
 20 - White Face, Black Back
 21 - Clear anodized with Black Pattern
 Controller
 03 - Black
 Optional Finish:
 28 - Special/Setup Charge

2. Available Accessories

3. Available Options

MRI - MRI Construction
 1EC - (1) End Cap
 2EC - (2) End Caps
 1EB - (1) End Border
 2EB - (2) End Borders
 OO - Open / Open

4. Construction Details

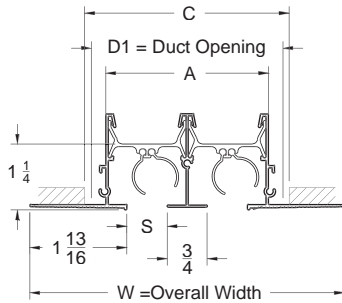
- Sizes available in only 1-8 slots
- Longest single section is 96"
- Continuous lengths are made in sections

All Dimensions ±1/16"

MODEL XG-6600-50-1

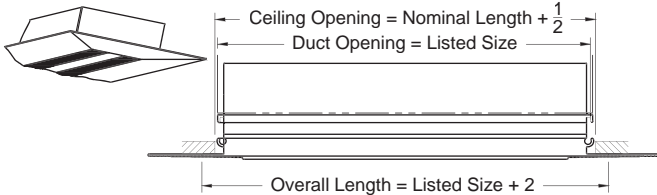
Model: XG-6600-50-1 1 13/16" Border - Surface Mount, no Hardware - Tape and Spackle

XG-6600-50-1 - Tape and Spackle

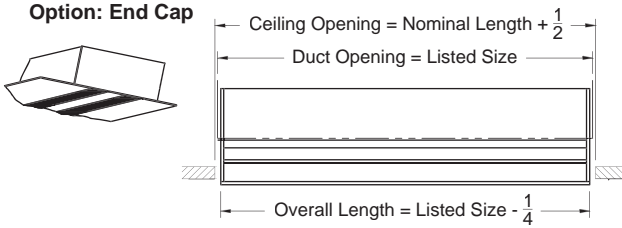


* Recommended Face Screw Mount
Screw Holes not Provided

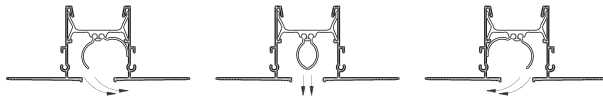
Option: Mitered Corner



Option: End Cap



Air Deflection Patterns



Model 6675	3/4" Slots	1	1 9/16	2	2 1/8	4 3/8
		2	3 1/16	4	3 5/8	6
		3	4 9/16	5	5 1/8	7 3/8
		4	6 1/16	6 1/2	6 5/8	8 7/8
		5	7 9/16	8	8 1/8	10 3/8
		6	9 1/16	10	9 7/8	12
		7	10 9/16	11	11 1/8	13 3/8
		8	12 1/16	12 1/2	12 5/8	14 7/8
Model 6610	1" Slots	1	1 13/16	2 1/4	2 3/8	4 5/8
		2	3 9/16	4	4 1/8	6
		3	5 5/16	5 5/8	5 3/4	8 1/8
		4	7 1/16	7 1/2	7 5/8	9 7/8
		5	8 13/16	9 1/4	9 3/8	11 5/8
		6	10 9/16	11	11 1/8	13
		7	12 5/16	12 3/4	12 7/8	15 1/8
		8	14 1/16	14 1/2	14 5/8	16 7/8
Model 6615	1 1/2" Slots	1	2 5/16	2 3/4	2 7/8	5 1/8
		2	4 9/16	5	5 1/8	7
		3	6 13/16	7 1/4	7 3/8	9 5/8
		4	9 1/16	9 1/2	9 5/8	11 7/8
		5	N/A	N/A	N/A	N/A
		6	N/A	N/A	N/A	N/A
		7	N/A	N/A	N/A	N/A
		8	N/A	N/A	N/A	N/A

1. Available Finishes

Standard Finish:
20 - White Face, Black Back
21 - Clear anodized with Black Pattern
Controller
03 - Black
Optional Finish:
28 - Special/Setup Charge

2. Available Accessories

3. Available Options

MRI - MRI Construction
1EC - (1) End Cap
2EC - (2) End Caps
1EB - (1) End Border
2EB - (2) End Borders
OO - Open / Open

4. Construction Details

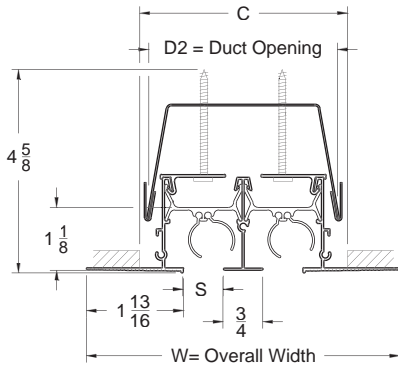
- Sizes available in only 1-8 slots
- Longest single section is 96"
- Continuous lengths are made in sections

All Dimensions $\pm 1/16"$

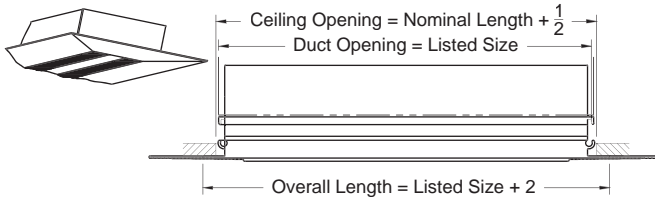
MODEL XG-6600-52-1

Model: XG-6600-52-1 1 13/16" Border - Surface Mount with Concealed Hardware - Tape and Spackle

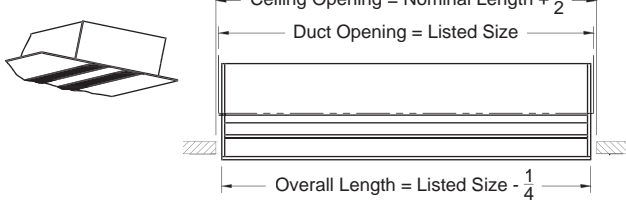
XG-6600-52-1 - Tape and Spackle / Concealed Mount



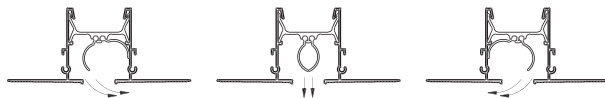
Option: Mitered Corner



Option: End Cap



Air Deflection Patterns



Model 6675	3/4" Slots	1	1 9/16	2 1/2	2 1/8	4 3/8
		2	3 1/16	4	3 5/8	6
		3	4 9/16	5 1/2	5 1/8	7 3/8
		4	6 1/16	7	6 5/8	8 7/8
		5	7 9/16	8 1/2	8 1/8	10 3/8
		6	9 1/16	10 1/4	9 7/8	12
		7	10 9/16	11 1/2	11 1/8	13 3/8
		8	12 1/16	13	12 5/8	14 7/8
Model 6610	1" Slots	1	1 13/16	2 3/4	2 3/8	4 5/8
		2	3 9/16	4 1/2	4 1/8	6
		3	5 5/16	6 1/8	5 3/4	8 1/8
		4	7 1/16	8	7 5/8	9 7/8
		5	8 13/16	9 3/4	9 3/8	11 5/8
		6	10 9/16	11 1/2	11 1/8	13
		7	12 5/16	13 1/4	12 7/8	15 1/8
		8	14 1/16	15	14 5/8	16 7/8
Model 6615	1 1/2" Slots	1	2 5/16	3 1/4	2 7/8	5 1/8
		2	4 9/16	5 1/2	5 1/8	7
		3	6 13/16	7 3/4	7 3/8	9 5/8
		4	9 1/16	10	9 5/8	11 7/8
		5	N/A	N/A	N/A	N/A
		6	N/A	N/A	N/A	N/A
		7	N/A	N/A	N/A	N/A
		8	N/A	N/A	N/A	N/A

1. Available Finishes

Standard Finish:
 20 - White Face, Black Back
 21 - Clear anodized with Black Pattern
 Controller
 03 - Black
 Optional Finish:
 28 - Special/Setup Charge

2. Available Accessories

3. Available Options

MRI - MRI Construction
 1EC - (1) End Cap
 2EC - (2) End Caps
 1EB - (1) End Border
 2EB - (2) End Borders
 OO - Open / Open

4. Construction Details

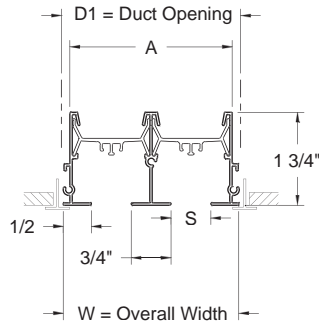
- Sizes available in only 1-8 slots
- Longest single section is 96"
- Continuous lengths are made in sections

All Dimensions $\pm 1/16"$

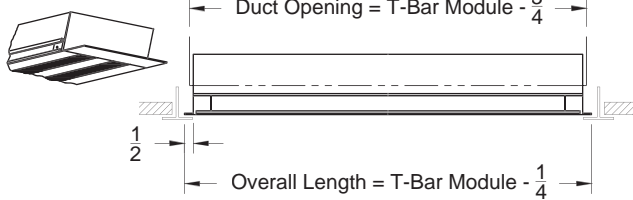
MODEL XG-6600R-30-6

Model: XG-6600R-30-6 1/2" Border - Lay In T-Bar with No Hardware

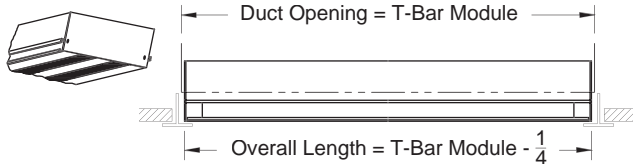
XG-6600R-30-6 - Lay In T-Bar, no Hardware



Option: End Border



Option: End Cap



		S = Slots	A	D1	W
Model XG-6650R	1/2" Slots	1	1 5/16	1 9/16	1 9/16
		2	2 9/16	3	2 13/16
		3	3 13/16	4 1/16	4 1/16
		4	5 1/16	5 5/16	5 5/16
		5	6 5/16	6 9/16	6 9/16
		6	7 9/16	8	7 13/16
		7	8 13/16	9 1/16	9 1/16
		8	10 1/16	10 5/16	10 5/16
Model XG-6675R	3/4" Slots	1	1 9/16	1 13/16	1 13/16
		2	3 1/16	3	3 5/16
		3	4 9/16	4 13/16	4 13/16
		4	6 1/16	6 5/16	6 5/16
		5	7 9/16	7 13/16	7 13/16
		6	9 1/16	9	9 5/16
		7	10 9/16	10 13/16	10 13/16
		8	12 1/16	12 5/16	12 5/16
Model XG-6610R	1" Slots	1	1 13/16	2 1/16	2 1/16
		2	3 9/16	4	3 13/16
		3	5 5/16	5 9/16	5 9/16
		4	7 1/16	7 5/16	7 5/16
		5	8 13/16	9 1/16	9 1/16
		6	10 9/16	11	10 13/16
		7	12 5/16	12 9/16	12 9/16
		8	14 1/16	14 5/16	14 5/16
Model 6615	1 1/2" Slots	1	2 5/16	2 9/16	2 9/16
		2	4 9/16	5	4 13/16
		3	6 13/16	7 1/16	7 1/16
		4	9 1/16	9 5/16	9 5/16
		5	N/A	N/A	N/A
		6	N/A	N/A	N/A
		7	N/A	N/A	N/A
		8	N/A	N/A	N/A

1. Available Finishes

Standard Finish:
20 - White Face, Black Back
21 - Clear anodized with Black Pattern
Controller
03 - Black
Optional Finish:
28 - Special/Setup Charge

2. Available Accessories

3. Available Options

MRI - MRI Construction
1EC - (1) End Cap
2EC - (2) End Caps
1EB - (1) End Border
2EB - (2) End Borders
OO - Open / Open

4. Construction Details

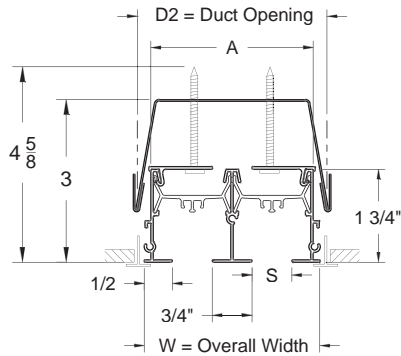
- Sizes available in only 1-8 slots
- Longest single section is 96"
- Continuous lengths are made in sections

All Dimensions ±1/16"

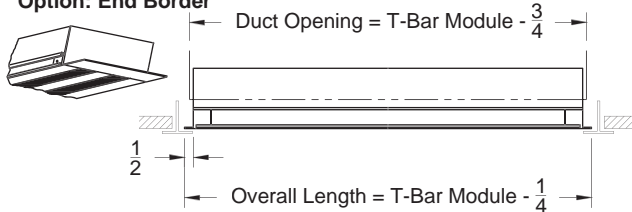
MODEL XG-6600R-32-6

Model: XG-6600R-32-6 1/2" Border - Lay In T-Bar with Concealed Hardware

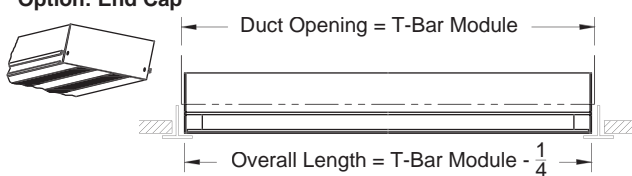
XG-6600R-32-6 - Lay In T-Bar, Hardware



Option: End Border



Option: End Cap



		S = Slots	A	D2	W
Model XG-6650R	1/2" Slots	1	1 5/16	1 13/16	2 9/16
		2	2 9/16	3 1/16	2 13/16
		3	3 13/16	4 5/16	4 1/16
		4	5 1/16	6	5 5/16
		5	6 5/16	6 13/16	6 9/16
		6	7 9/16	8 1/16	7 13/16
		7	8 13/16	9 5/16	9 1/16
		8	10 1/16	11	10 5/16
Model XG-6675R	3/4" Slots	1	1 9/16	2 1/16	1 13/16
		2	3 1/16	3 9/16	3 5/16
		3	4 9/16	5 1/16	4 13/16
		4	6 1/16	7	6 5/16
		5	7 9/16	8 1/16	7 13/16
		6	9 1/16	9 9/16	9 5/16
		7	10 9/16	11 1/16	10 13/16
		8	12 1/16	13	12 5/16
Model XG-6610R	1" Slots	1	1 13/16	2 5/16	2 1/16
		2	3 9/16	4 1/16	3 13/16
		3	5 5/16	5 13/16	5 9/16
		4	7 1/16	8	7 5/16
		5	8 13/16	9 5/16	9 1/16
		6	10 9/16	11 1/16	10 13/16
		7	12 5/16	12 13/16	12 9/16
		8	14 1/16	15	14 5/16
Model 6615	1 1/2" Slots	1	2 5/16	2 13/16	2 9/16
		2	4 9/16	5 1/16	4 13/16
		3	6 13/16	7 5/16	7 1/16
		4	9 1/16	10	9 5/16
		5	N/A	N/A	N/A
		6	N/A	N/A	N/A
		7	N/A	N/A	N/A
		8	N/A	N/A	N/A

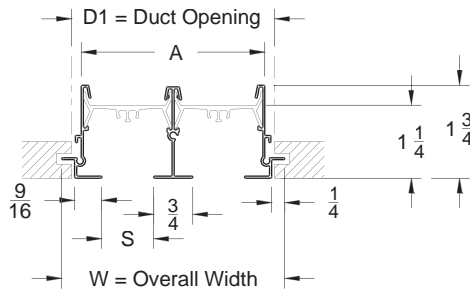
1. Available Finishes	2. Available Accessories	3. Available Options	4. Construction Details
Standard Finish: 20 - White Face, Black Back 21 - Clear anodized with Black Pattern Controller 03 - Black Optional Finish: 28 - Special/Setup Charge		MRI - MRI Construction 1EC - (1) End Cap 2EC - (2) End Caps 1EB - (1) End Border 2EB - (2) End Borders OO - Open / Open	<ul style="list-style-type: none"> Sizes available in only 1-8 slots Longest single section is 96" Continuous lengths are made in sections

All Dimensions ±1/16"

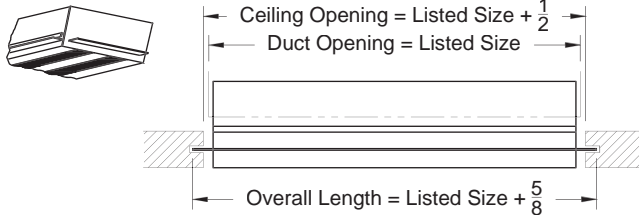
MODEL XG-6600R-40-7

Model: XG-6600R-40-7 9/16" Border - Concealed Spline with No Hardware

XG-6600R-40-7 - Concealed Spline



Option: End Border



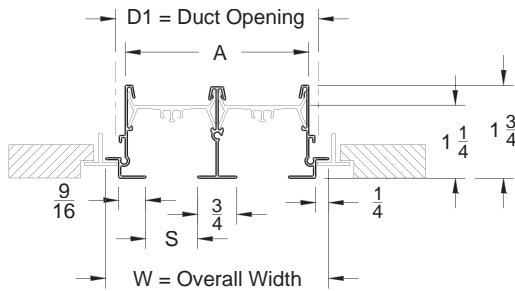
Model	S = Slots	A	D1	W
		Model XG-6650R		
1/2" Slots	1	1 5/16	1 9/16	2 1/16
	2	2 9/16	3	3 5/16
	3	3 13/16	4 1/16	4 9/16
	4	5 1/16	5 5/16	5 13/16
	5	6 5/16	6 9/16	7 1/16
	6	7 9/16	8	8 5/16
	7	8 13/16	9 1/16	9 9/16
	8	10 1/16	10 5/16	10 13/16
Model XG-6675R				
3/4" Slots	1	1 9/16	1 13/16	2 5/16
	2	3 1/16	3	3 13/16
	3	4 9/16	4 13/16	5 5/16
	4	6 1/16	6 5/16	6 13/16
	5	7 9/16	7 13/16	8 5/16
	6	9 1/16	9	9 13/16
	7	10 9/16	10 13/16	11 5/16
	8	12 1/16	12 5/16	12 13/16
Model XG-6610R				
1" Slots	1	1 13/16	2 1/16	2 9/16
	2	3 9/16	4	4 5/16
	3	5 5/16	5 9/16	6 1/16
	4	7 1/16	7 5/16	7 13/16
	5	8 13/16	9 1/16	9 9/16
	6	10 9/16	11	11 5/16
	7	12 5/16	12 9/16	13 1/16
	8	14 1/16	14 5/16	14 13/16
Model XG-6615R				
1 1/2" Slots	1	2 5/16	2 9/16	3 1/16
	2	4 9/16	5	5 5/16
	3	6 13/16	7 1/16	7 9/16
	4	9 1/16	9 5/16	9 13/16
	5	N/A	N/A	N/A
	6	N/A	N/A	N/A
	7	N/A	N/A	N/A
	8	N/A	N/A	N/A

1. Available Finishes	2. Available Accessories	3. Available Options	4. Construction Details
Standard Finish: 20 - White Face, Black Back 21 - Clear anodized with Black Pattern Controller 03 - Black Optional Finish: 28 - Special/Setup Charge		MRI - MRI Construction 1EC - (1) End Cap 2EC - (2) End Caps 1EB - (1) End Border 2EB - (2) End Borders OO - Open / Open	<ul style="list-style-type: none"> • Sizes available in only 1-8 slots • Longest single section is 96" • Continuous lengths are made in sections
All Dimensions ±1/16"			

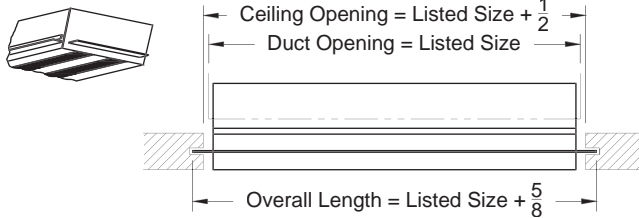
MODEL XG-6600R-40-8

Model: XG-6600R-40-8 9/16" Border - Drop Face, No Hardware

XG-6600R-40-8 - Drop Face



Option: End Border



		S = Slots	A	D1	W
Model XG-6650R	1/2" Slots	1	1 5/16	1 9/16	2 1/16
		2	2 9/16	3	3 5/16
		3	3 13/16	4 1/16	4 9/16
		4	5 1/16	5 5/16	5 13/16
		5	6 5/16	6 9/16	7 1/16
		6	7 9/16	8	8 5/16
		7	8 13/16	9 1/16	9 9/16
		8	10 1/16	10 5/16	10 13/16
Model XG-6675R	3/4" Slots	1	1 9/16	1 13/16	2 5/16
		2	3 1/16	3	3 13/16
		3	4 9/16	4 13/16	5 5/16
		4	6 1/16	6 5/16	6 13/16
		5	7 9/16	7 13/16	8 5/16
		6	9 1/16	9	9 13/16
		7	10 9/16	10 13/16	11 5/16
		8	12 1/16	12 5/16	12 13/16
Model XG-6610R	1" Slots	1	1 13/16	2 1/16	2 9/16
		2	3 9/16	4	4 5/16
		3	5 5/16	5 9/16	6 1/16
		4	7 1/16	7 5/16	7 13/16
		5	8 13/16	9 1/16	9 9/16
		6	10 9/16	11	11 5/16
		7	12 5/16	12 9/16	13 1/16
		8	14 1/16	14 5/16	14 13/16
Model XG-6615R	1 1/2" Slots	1	2 5/16	11 5/16	3 1/16
		2	4 9/16	14	5 5/16
		3	6 13/16	15 13/16	7 9/16
		4	9 1/16	18 1/16	9 13/16
		5	N/A	N/A	N/A
		6	N/A	N/A	N/A
		7	N/A	N/A	N/A
		8	N/A	N/A	N/A

1. Available Finishes

Standard Finish:
 20 - White Face, Black Back
 21 - Clear anodized with Black Pattern
 Controller
 03 - Black
 Optional Finish:
 28 - Special/Setup Charge

2. Available Accessories

3. Available Options

MRI - MRI Construction
 1EC - (1) End Cap
 2EC - (2) End Caps
 1EB - (1) End Border
 2EB - (2) End Borders
 OO - Open / Open

4. Construction Details

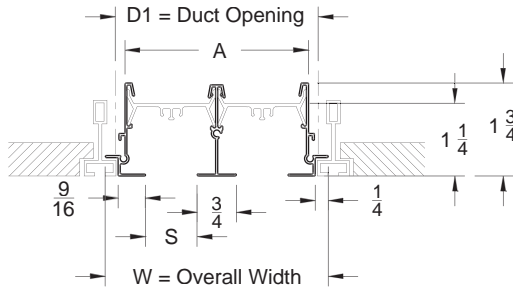
- Sizes available in only 1-8 slots
- Longest single section is 96"
- Continuous lengths are made in sections

All Dimensions ±1/16"

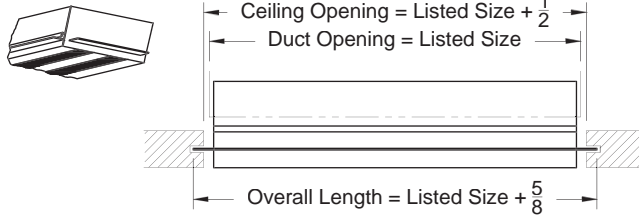
MODEL XG-6600R-40-9

Model: XG-6600R-40-9 9/16" Border - Narrow Tee, No Hardware

XG-6600R-40-9 - Narrow Tee



Option: End Border



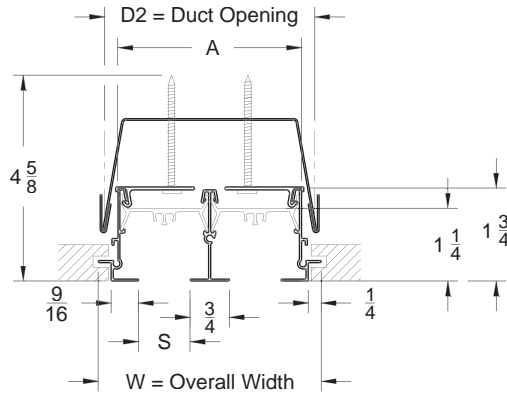
Model	S = Slots	A	D1	W	
					Model XG-6650R
		2	2 9/16	3	3 5/16
		3	3 13/16	4 1/16	4 9/16
		4	5 1/16	5 5/16	5 13/16
		5	6 5/16	6 9/16	7 1/16
		6	7 9/16	8	8 5/16
		7	8 13/16	9 1/16	9 9/16
		8	10 1/16	10 5/16	10 13/16
Model XG-6675R	3/4" Slots	1	1 9/16	1 13/16	2 5/16
		2	3 1/16	3	3 13/16
		3	4 9/16	4 13/16	5 5/16
		4	6 1/16	6 5/16	6 13/16
		5	7 9/16	7 13/16	8 5/16
		6	9 1/16	9	9 13/16
		7	10 9/16	10 13/16	11 5/16
		8	12 1/16	12 5/16	12 13/16
Model XG-6610R	1" Slots	1	1 13/16	2 1/16	2 9/16
		2	3 9/16	4	4 5/16
		3	5 5/16	5 9/16	6 1/16
		4	7 1/16	7 5/16	7 13/16
		5	8 13/16	9 1/16	9 9/16
		6	10 9/16	11	11 5/16
		7	12 5/16	12 9/16	13 1/16
		8	14 1/16	14 5/16	14 13/16
Model XG-6615R	1 1/2" Slots	1	2 5/16	11 5/16	3 1/16
		2	4 9/16	14	5 5/16
		3	6 13/16	15 13/16	7 9/16
		4	9 1/16	18 1/16	9 13/16
		5	N/A	N/A	N/A
		6	N/A	N/A	N/A
		7	N/A	N/A	N/A
		8	N/A	N/A	N/A

1. Available Finishes	2. Available Accessories	3. Available Options	4. Construction Details
Standard Finish: 20 - White Face, Black Back 21 - Clear anodized with Black Pattern Controller 03 - Black Optional Finish: 28 - Special/Setup Charge		MRI - MRI Construction 1EC - (1) End Cap 2EC - (2) End Caps 1EB - (1) End Border 2EB - (2) End Borders OO - Open / Open	<ul style="list-style-type: none"> • Sizes available in only 1-8 slots • Longest single section is 96" • Continuous lengths are made in sections
All Dimensions ±1/16"			

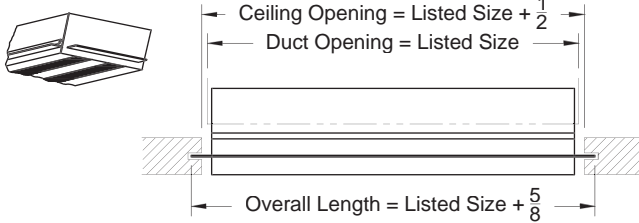
MODEL XG-6600R-42-7

Model: XG-6600R-42-7 9/16" Border - Concealed Spline with Concealed Mounting Hardware

XG-6600R-42-7 - Concealed Spline



Option: End Border



Model	S = Slots	A	D2	W
		Model XG-6650R		
1/2" Slots	1	1 5/16	1 7/8	2 1/16
	2	2 9/16	3 1/8	3 5/16
	3	3 13/16	4 3/8	4 9/16
	4	5 1/16	6	5 13/16
	5	6 5/16	6 7/8	7 1/16
	6	7 9/16	8 1/8	8 5/16
	7	8 13/16	9 3/8	9 9/16
	8	10 1/16	11	10 13/16
Model XG-6675R				
3/4" Slots	1	1 9/16	2 1/8	2 5/16
	2	3 1/16	3 5/8	3 13/16
	3	4 9/16	5 1/8	5 5/16
	4	6 1/16	7	6 13/16
	5	7 9/16	8 1/8	8 5/16
	6	9 1/16	9 5/8	9 13/16
	7	10 9/16	11 1/8	11 5/16
	8	12 1/16	13	12 13/16
Model XG-6610R				
1" Slots	1	1 13/16	2 3/8	2 9/16
	2	3 9/16	4 1/8	4 5/16
	3	5 5/16	5 7/8	6 1/16
	4	7 1/16	8	7 13/16
	5	8 13/16	9 3/8	9 9/16
	6	10 9/16	11 1/8	11 5/16
	7	12 5/16	12 7/8	13 1/16
	8	14 1/16	15	14 13/16
Model XG-6615R				
1 1/2" Slots	1	2 5/16	2 7/8	3 1/16
	2	4 9/16	5 1/8	5 5/16
	3	6 13/16	7 3/8	7 9/16
	4	9 1/16	10	9 13/16
	5	N/A	N/A	N/A
	6	N/A	N/A	N/A
	7	N/A	N/A	N/A
	8	N/A	N/A	N/A

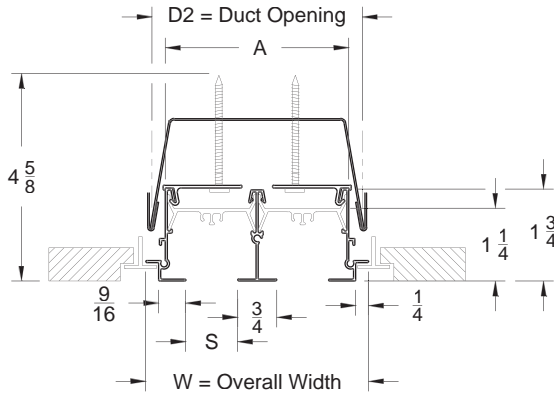
1. Available Finishes	2. Available Accessories	3. Available Options	4. Construction Details
Standard Finish: 20 - White Face, Black Back 21 - Clear anodized with Black Pattern Controller 03 - Black Optional Finish: 28 - Special/Setup Charge		MRI - MRI Construction 1EC - (1) End Cap 2EC - (2) End Caps 1EB - (1) End Border 2EB - (2) End Borders OO - Open / Open	<ul style="list-style-type: none"> Sizes available in only 1-8 slots Longest single section is 96" Continuous lengths are made in sections

All Dimensions ±1/16"

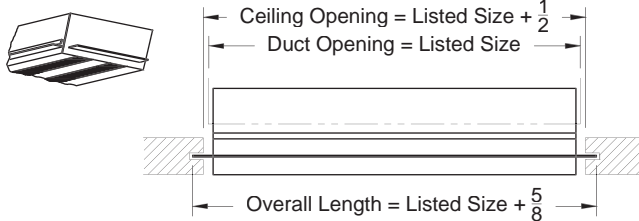
MODEL XG-6600R-42-8

Model: XG-6600R-42-8 9/16" Border - Drop Face with Concealed Mounting Hardware

XG-6600R-42-8 - Drop Face



Option: End Border



		S = Slots	A	D2	W
Model XG-6650R	1/2" Slots	1	1 5/16	1 7/8	2 1/16
		2	2 9/16	3 1/8	3 5/16
		3	3 13/16	4 3/8	4 9/16
		4	5 1/16	6	5 13/16
		5	6 5/16	6 7/8	7 1/16
		6	7 9/16	8 1/8	8 5/16
		7	8 13/16	9 3/8	9 9/16
		8	10 1/16	11	10 13/16
Model XG-6675R	3/4" Slots	1	1 9/16	2 1/8	2 5/16
		2	3 1/16	3 5/8	3 13/16
		3	4 9/16	5 1/8	5 5/16
		4	6 1/16	7	6 13/16
		5	7 9/16	8 1/8	8 5/16
		6	9 1/16	9 5/8	9 13/16
		7	10 9/16	11 1/8	11 5/16
		8	12 1/16	13	12 13/16
Model XG-6610R	1" Slots	1	1 13/16	2 3/8	2 9/16
		2	3 9/16	4 1/8	4 5/16
		3	5 5/16	5 7/8	6 1/16
		4	7 1/16	8	7 13/16
		5	8 13/16	9 3/8	9 9/16
		6	10 9/16	11 1/8	11 5/16
		7	12 5/16	12 7/8	13 1/16
		8	14 1/16	15	14 13/16
Model XG-6615R	1 1/2" Slots	1	2 5/16	11 5/8	3 1/16
		2	4 9/16	13 7/8	5 5/16
		3	6 13/16	16 1/8	7 9/16
		4	9 1/16	18	9 13/16
		5	N/A	N/A	N/A
		6	N/A	N/A	N/A
		7	N/A	N/A	N/A
		8	N/A	N/A	N/A

1. Available Finishes

Standard Finish:
20 - White Face, Black Back
21 - Clear anodized with Black Pattern
Controller
03 - Black
Optional Finish:
28 - Special/Setup Charge

2. Available Accessories

3. Available Options

MRI - MRI Construction
1EC - (1) End Cap
2EC - (2) End Caps
1EB - (1) End Border
2EB - (2) End Borders
OO - Open / Open

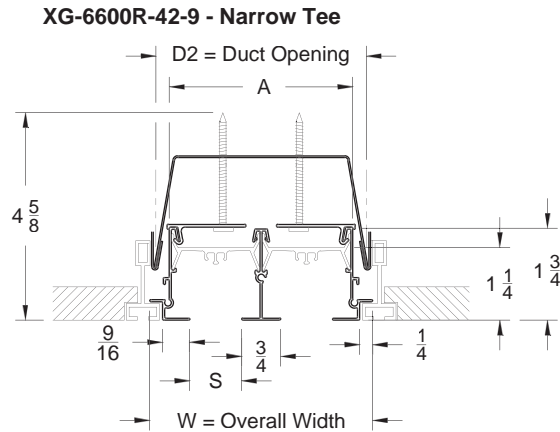
4. Construction Details

- Sizes available in only 1-8 slots
- Longest single section is 96"
- Continuous lengths are made in sections

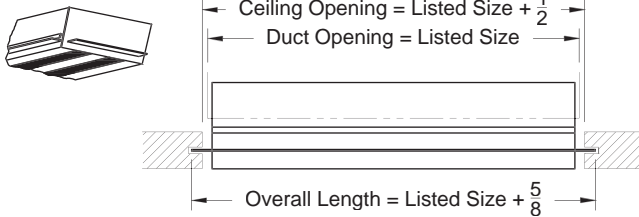
All Dimensions ±1/16"

MODEL XG-6600R-42-9

Model: XG-6600R-42-9 9/16" Border - Narrow Tee with Concealed Mounting Hardware



Option: End Border



S = Slots	A	D2	W	
Model XG-6650R 1/2" Slots	1	1 5/16	1 7/8	2 1/16
	2	2 9/16	3 1/8	3 5/16
	3	3 13/16	4 3/8	4 9/16
	4	5 1/16	6	5 13/16
	5	6 5/16	6 7/8	7 1/16
	6	7 9/16	8 1/8	8 5/16
	7	8 13/16	9 3/8	9 9/16
	8	10 1/16	11	10 13/16
Model XG-6675R 3/4" Slots	1	1 9/16	2 1/8	2 5/16
	2	3 1/16	3 5/8	3 13/16
	3	4 9/16	5 1/8	5 5/16
	4	6 1/16	7	6 13/16
	5	7 9/16	8 1/8	8 5/16
	6	9 1/16	9 5/8	9 13/16
	7	10 9/16	11 1/8	11 5/16
	8	12 1/16	13	12 13/16
Model XG-6610R 1" Slots	1	1 13/16	2 3/8	2 9/16
	2	3 9/16	4 1/8	4 5/16
	3	5 5/16	5 7/8	6 1/16
	4	7 1/16	8	7 13/16
	5	8 13/16	9 3/8	9 9/16
	6	10 9/16	11 1/8	11 5/16
	7	12 5/16	12 7/8	13 1/16
	8	14 1/16	15	14 13/16
Model XG-6615R 1 1/2" Slots	1	2 5/16	11 5/8	3 1/16
	2	4 9/16	13 7/8	5 5/16
	3	6 13/16	16 1/8	7 9/16
	4	9 1/16	18	9 13/16
	5	N/A	N/A	N/A
	6	N/A	N/A	N/A
	7	N/A	N/A	N/A
	8	N/A	N/A	N/A

1. Available Finishes

Standard Finish:
 20 - White Face, Black Back
 21 - Clear anodized with Black Pattern
 Controller
 03 - Black
 Optional Finish:
 28 - Special/Setup Charge

2. Available Accessories

3. Available Options

MRI - MRI Construction
 1EC - (1) End Cap
 2EC - (2) End Caps
 1EB - (1) End Border
 2EB - (2) End Borders
 OO - Open / Open

4. Construction Details

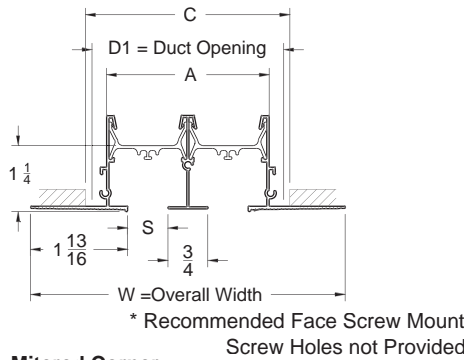
- Sizes available in only 1-8 slots
- Longest single section is 96"
- Continuous lengths are made in sections

All Dimensions $\pm 1/16"$

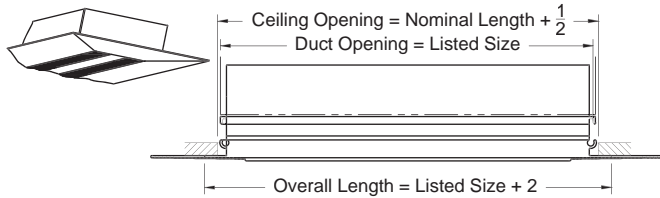
MODEL XG-6600R-50-1

Model: XG-6600R-50-1 1 13/16" Border - Surface Mount - No Hardware - Tape and Spackle

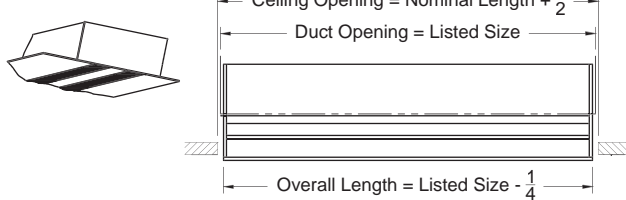
XG-6600R-50-1 - Tape and Spackle



Option: Mitered Corner



Option: End Cap



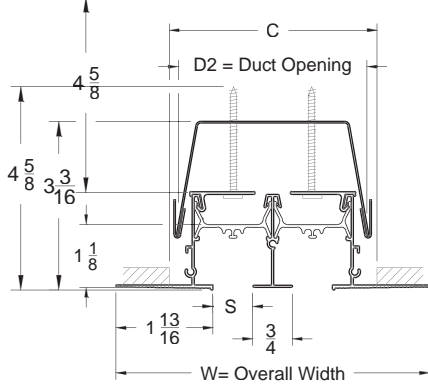
Model	Slots	Dimensions (inches)				
		1	2	3	4	
Model 6675	3/4" Slots	1	1 9/16	2	2 1/8	4 3/8
		2	3 1/16	4	3 5/8	6
		3	4 9/16	5	5 1/8	7 3/8
		4	6 1/16	6 1/2	6 5/8	8 7/8
		5	7 9/16	8	8 1/8	10 3/8
		6	9 1/16	10	9 7/8	12
		7	10 9/16	11	11 1/8	13 3/8
		8	12 1/16	12 1/2	12 5/8	14 7/8
Model 6610	1" Slots	1	1 13/16	2 1/4	2 3/8	4 5/8
		2	3 9/16	4	4 1/8	6
		3	5 5/16	5 5/8	5 3/4	8 1/8
		4	7 1/16	7 1/2	7 5/8	9 7/8
		5	8 13/16	9 1/4	9 3/8	11 5/8
		6	10 9/16	11	11 1/8	13
		7	12 5/16	12 3/4	12 7/8	15 1/8
		8	14 1/16	14 1/2	14 5/8	16 7/8
Model 6615	1 1/2" Slots	1	2 5/16	2 3/4	2 7/8	5 1/8
		2	4 9/16	5	5 1/8	7
		3	6 13/16	7 1/4	7 3/8	9 5/8
		4	9 1/16	9 1/2	9 5/8	11 7/8
		5	N/A	N/A	N/A	N/A
		6	N/A	N/A	N/A	N/A
		7	N/A	N/A	N/A	N/A
		8	N/A	N/A	N/A	N/A

1. Available Finishes	2. Available Accessories	3. Available Options	4. Construction Details
Standard Finish: 20 - White Face, Black Back 21 - Clear anodized with Black Pattern Controller 03 - Black Optional Finish: 28 - Special/Setup Charge		MRI - MRI Construction 1EC - (1) End Cap 2EC - (2) End Caps 1EB - (1) End Border 2EB - (2) End Borders OO - Open / Open	<ul style="list-style-type: none"> Sizes available in only 1-8 slots Longest single section is 96" Continuous lengths are made in sections
All Dimensions ±1/16"			

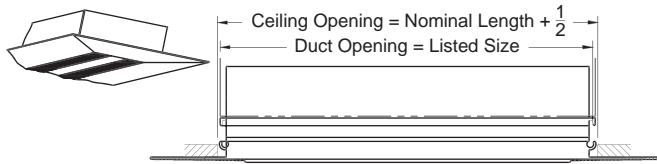
MODEL XG-6600R-52-1

Model: XG-6600R-52-1 1 13/16" Border - Surface Mount with Hardware - Tape and Spackle

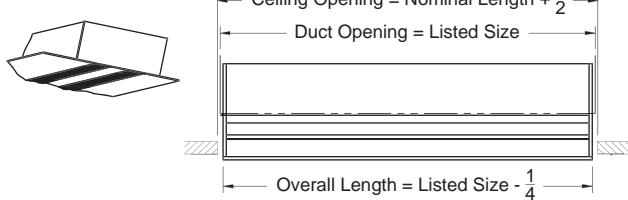
XG-6600R-52-1 - Tape and Spackle / Concealed Mount



Option: Mitered Corner



Option: End Cap



Model	Slots	Dimensions (inches)				
		1	2	3	4	
Model 6675	3/4" Slots	1	1 9/16	2 1/2	2 1/8	4 3/8
		2	3 1/16	4	3 5/8	6
		3	4 9/16	5 1/2	5 1/8	7 3/8
		4	6 1/16	7	6 5/8	8 7/8
		5	7 9/16	8 1/2	8 1/8	10 3/8
		6	9 1/16	10 1/4	9 7/8	12
		7	10 9/16	11 1/2	11 1/8	13 3/8
		8	12 1/16	13	12 5/8	14 7/8
Model 6610	1" Slots	1	1 13/16	2 3/4	2 3/8	4 5/8
		2	3 9/16	4 1/2	4 1/8	6
		3	5 5/16	6 1/8	5 3/4	8 1/8
		4	7 1/16	8	7 5/8	9 7/8
		5	8 13/16	9 3/4	9 3/8	11 5/8
		6	10 9/16	11 1/2	11 1/8	13
		7	12 5/16	13 1/4	12 7/8	15 1/8
		8	14 1/16	15	14 5/8	16 7/8
Model 6615	1 1/2" Slots	1	2 5/16	3 1/4	2 7/8	5 1/8
		2	4 9/16	5 1/2	5 1/8	7
		3	6 13/16	7 3/4	7 3/8	9 5/8
		4	9 1/16	10	9 5/8	11 7/8
		5	N/A	N/A	N/A	N/A
		6	N/A	N/A	N/A	N/A
		7	N/A	N/A	N/A	N/A
		8	N/A	N/A	N/A	N/A

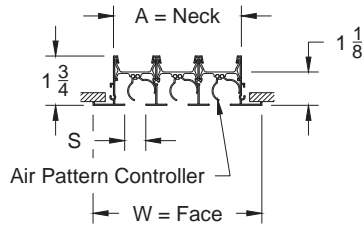
1. Available Finishes	2. Available Accessories	3. Available Options	4. Construction Details
Standard Finish: 20 - White Face, Black Back 21 - Clear anodized with Black Pattern Controller 03 - Black Optional Finish: 28 - Special/Setup Charge		MRI - MRI Construction 1EC - (1) End Cap 2EC - (2) End Caps 1EB - (1) End Border 2EB - (2) End Borders OO - Open / Open	<ul style="list-style-type: none"> Sizes available in only 1-8 slots Longest single section is 96" Continuous lengths are made in sections

All Dimensions ±1/16"

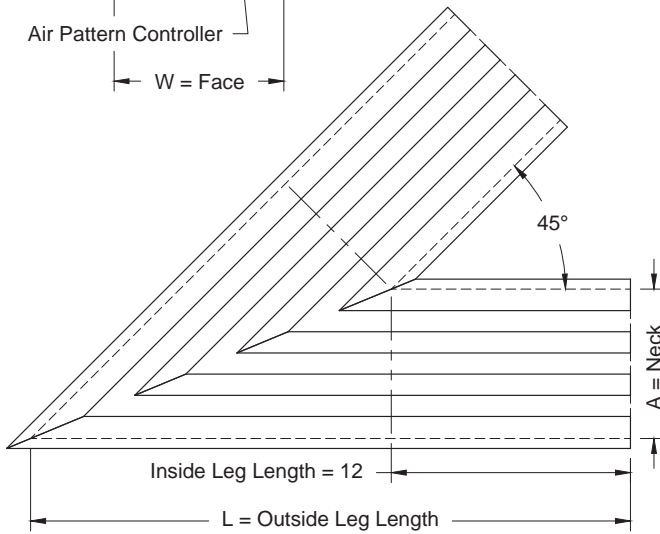
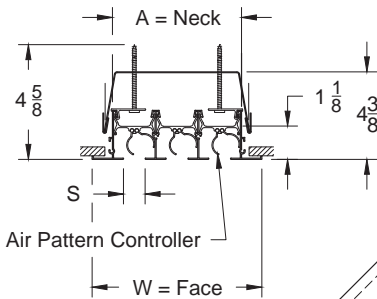
MODEL XG-6600MC

Model: XG-6600MC-11-1 45 1 1/8" Border - 45° Miter Corner - Face Screw Mount with no Hardware
 XG-6600MC-12-1 45 1 1/8" Border - 45° Miter Corner - Concealed Surface Mount with Hardware

XG-6600MC 11-1 45 - Face Screw Mount no Hardware



XG-6600MC 12-1 45 - Concealed Surface Mount with Hardware



Model	XG-6600MC-11-12-1 45				
	S = Slots	Outside Leg	Neck	Face	
		L	A	W	
XG-6650	1/2" Slots	1	15 3/16	1 5/16	2 3/4
		2	18 3/16	2 9/16	4
		3	21 3/16	3 13/16	5 1/4
		4	24 1/4	5 1/16	6 1/2
		5	27 1/4	6 5/16	7 3/4
		6	30 1/4	7 9/16	9
		7	33 1/4	8 13/16	10 1/4
		8	36 5/16	10 1/16	11 1/2
XG-6675	3/4" Slots	1	15 3/4	1 9/16	3
		2	19 3/8	3 1/16	4 1/2
		3	23	4 9/16	6
		4	26 5/8	6 1/16	7 1/2
		5	30 1/4	7 9/16	9
		6	33 7/8	9 1/16	10 3/4
		7	37 1/2	10 9/16	12
		8	41 1/8	12 1/16	13 1/2
XG-6610	1" Slots	1	16 3/8	1 13/16	3 1/4
		2	20 5/8	3 9/16	5
		3	24 13/16	5 5/16	6 5/8
		4	29 1/16	7 1/16	8 1/2
		5	33 1/4	8 13/16	10 1/4
		6	37 1/2	10 9/16	12
		7	41 3/4	12 5/16	13 3/4
		8	45 15/16	14 1/16	15 1/2
XG-6615	1 1/2" Slots	1	17 9/16	4 1/16	3 3/4
		2	23	6 5/16	6
		3	28 7/16	8 9/16	8 1/4
		4	33 7/8	10 13/16	10 1/2

1. Available Finishes	2. Available Accessories	3. Available Options	4. Construction Details
Standard Finish: 20 - White Face, Black Back 21 - Clear anodized with Black Pattern Controller 03 - Black Optional Finish: 28 - Special/Setup Charge			<ul style="list-style-type: none"> Sizes available in only 1-8 slots Extruded Aluminum Construction Supply units come standard with pattern controllers Return units do not come with pattern controllers <p>All Dimensions ±1/16"</p>

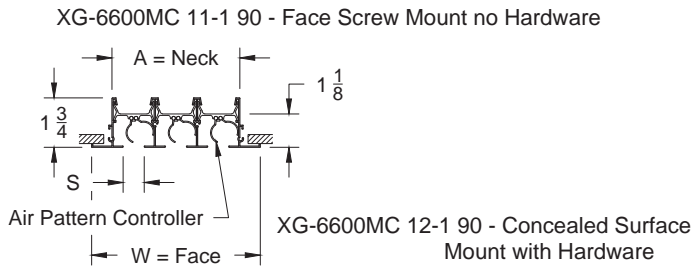
LINEAR DIFFUSERS AND GRILLES

LINEAR SLOT DIFFUSERS

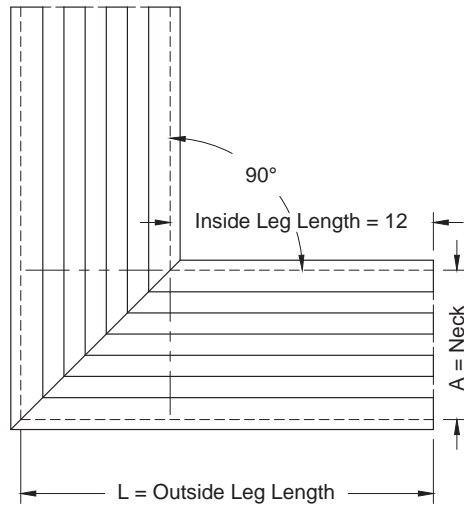
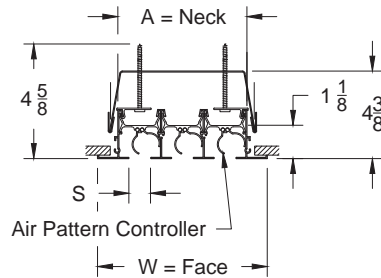
XG-6600

MODEL XG-6600MC

Model: XG-6600MC-11-1 90 1 1/8" Border - 90° Miter Corner - Face Screw Mount with no Hardware
 XG-6600MC-12-1 90 1 1/8" Border - 90° Miter Corner - Concealed Surface Mount with Hardware



XG-6600MC 12-1 90 - Concealed Surface Mount with Hardware



Model	XG-6600MC-11-12-1 90				
	S = Slots	Outside Leg	Neck	Face	
		L	A	W	
XG-6650	1/2" Slots	1	13 5/16	1 5/16	2 3/4
		2	14 9/16	2 9/16	4
		3	15 13/16	3 13/16	5 1/4
		4	17 1/16	5 1/16	6 1/2
		5	18 5/16	6 5/16	7 3/4
		6	19 9/16	7 9/16	9
		7	20 13/16	8 13/16	10 1/4
		8	22 1/16	10 1/16	11 1/2
XG-6675	3/4" Slots	1	13 9/16	1 9/16	3
		2	15 1/16	3 1/16	4 1/2
		3	16 9/16	4 9/16	6
		4	18 1/16	6 1/16	7 1/2
		5	19 9/16	7 9/16	9
		6	21 1/16	9 1/16	10 3/4
		7	22 9/16	10 9/16	12
		8	24 1/16	12 1/16	13 1/2
XG-6610	1" Slots	1	13 13/16	1 13/16	3 1/4
		2	15 9/16	3 9/16	5
		3	17 5/16	5 5/16	6 5/8
		4	19 1/16	7 1/16	8 1/2
		5	20 13/16	8 13/16	10 1/4
		6	22 9/16	10 9/16	12
		7	24 5/16	12 5/16	13 3/4
		8	26 1/16	14 1/16	15 1/2
XG-6615	1 1/2" Slots	1	14 5/16	4 1/16	3 3/4
		2	16 9/16	6 5/16	6
		3	18 13/16	8 9/16	8 1/4
		4	21 1/16	10 13/16	10 1/2

1. Available Finishes

Standard Finish:
 20 - White Face, Black Back
 21 - Clear anodized with Black Pattern Controller
 03 - Black
 Optional Finish:
 28 - Special/Setup Charge

2. Available Accessories

3. Available Options

4. Construction Details

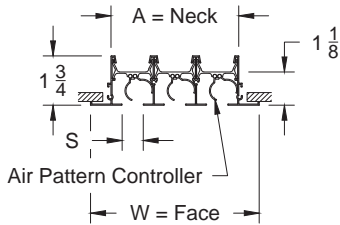
- Sizes available in only 1-8 slots
- Extruded Aluminum Construction
- Supply units come standard with pattern controllers
- Return units do not come with pattern controllers

All Dimensions ±1/16"

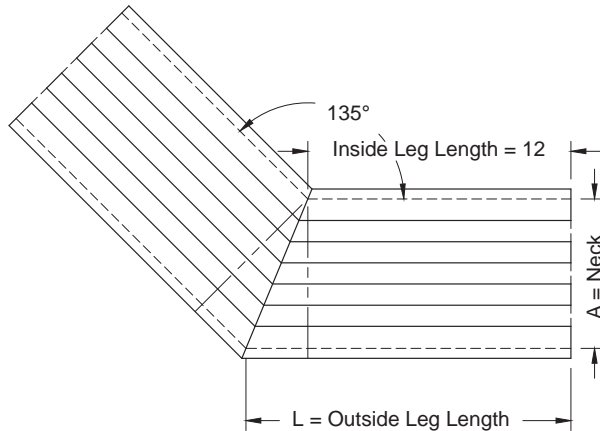
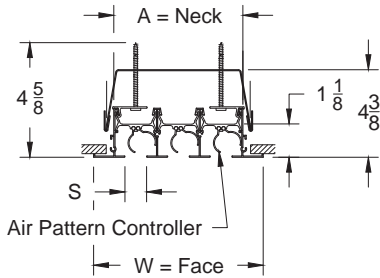
MODEL XG-6600MC

Model: XG-6600MC-11-1 135 1 1/8" Border - 135° Miter Corner - Concealed Surface Mount with Hardware
 XG-6600MC-12-1 135 1 1/8" Border - 135° Miter Corner - Concealed Surface Mount with Hardware

XG-6600MC 11-1 135 - Face Screw Mount no Hardware



XG-6600MC 12-1 135 - Concealed Surface Mount with Hardware



Model	XG-6600MC-11-12-1 135				
	S = Slots	Outside Leg	Neck	Face	
		L	A	W	
XG-6650	1/2" Slots	1	12 9/16	1 5/16	2 3/4
		2	13 1/16	2 9/16	4
		3	13 9/16	3 13/16	5 1/4
		4	14 1/8	5 1/16	6 1/2
		5	14 5/8	6 5/16	7 3/4
		6	15 1/8	7 9/16	9
		7	15 5/8	8 13/16	10 1/4
		8	16 3/16	10 1/16	11 1/2
XG-6675	3/4" Slots	1	12 5/8	1 9/16	3
		2	13 1/4	3 1/16	4 1/2
		3	13 7/8	4 9/16	6
		4	14 1/2	6 1/16	7 1/2
		5	15 1/8	7 9/16	9
		6	15 3/4	9 1/16	10 3/4
		7	16 3/8	10 9/16	12
		8	17	12 1/16	13 1/2
XG-6610	1" Slots	1	12 3/4	1 13/16	3 1/4
		2	13 1/2	3 9/16	5
		3	14 3/16	5 5/16	6 5/8
		4	14 15/16	7 1/16	8 1/2
		5	15 5/8	8 13/16	10 1/4
		6	16 3/8	10 9/16	12
		7	17 1/8	12 5/16	13 3/4
		8	17 13/16	14 1/16	15 1/2
XG-6615	1 1/2" Slots	1	12 15/16	4 1/16	3 3/4
		2	13 7/8	6 5/16	6
		3	14 13/16	8 9/16	8 1/4
		4	15 3/4	10 13/16	10 1/2

1. Available Finishes	2. Available Accessories	3. Available Options	4. Construction Details
Standard Finish: 20 - White Face, Black Back 21 - Clear anodized with Black Pattern Controller 03 - Black Optional Finish: 28 - Special/Setup Charge			<ul style="list-style-type: none"> Sizes available in only 1-8 slots Extruded Aluminum Construction Supply units come standard with pattern controllers Return units do not come with pattern controllers <p>All Dimensions ±1/16"</p>

LINEAR DIFFUSERS
AND GRILLES

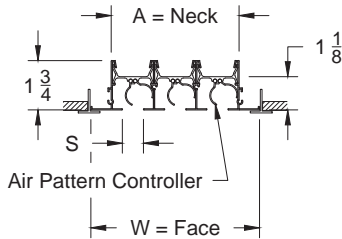
LINEAR SLOT DIFFUSERS

XG-6600

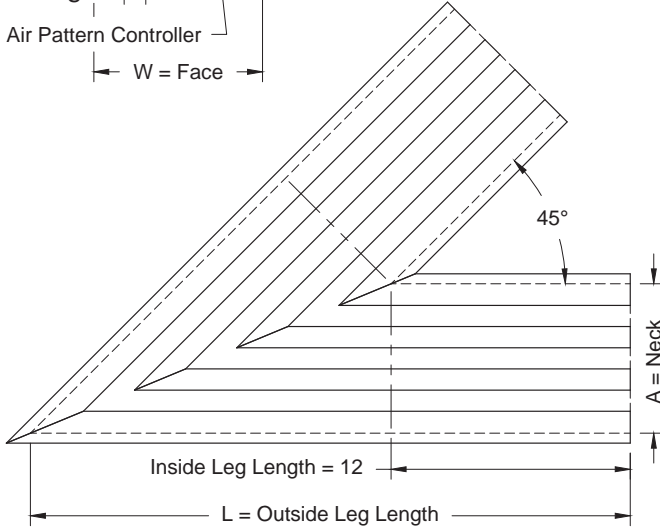
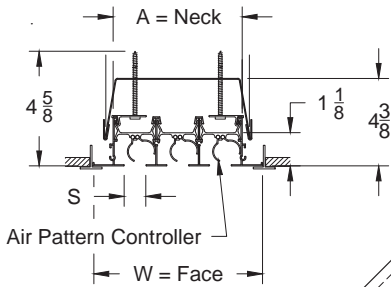
MODEL XG-6600MC

Model: XG-6600MC-10-6 45 1 1/8" Border - 45° Miter Corner - Lay In T-Bar with no Hardware
 XG-6600MC-12-6 45 1 1/8" Border - 45° Miter Corner - Lay In T-Bar with Concealed Hardware

XG-6600MC 10-6 45 - Lay in T-Bar no Hardware



XG-6600MC 12-6 45 - Lay In T-Bar with Concealed Hardware



Model	XG-6600MC-10-12-6 45				
	S = Slots	Outside Leg	Neck	Face	
		L	A	W	
XG-6650	1/2" Slots	1	15 3/16	1 5/16	2 3/4
		2	18 3/16	2 9/16	4
		3	21 3/16	3 13/16	5 1/4
		4	24 1/4	5 1/16	6 1/2
		5	27 1/4	6 5/16	7 3/4
		6	30 1/4	7 9/16	9
		7	33 1/4	8 13/16	10 1/4
		8	36 5/16	10 1/16	11 1/2
XG-6675	3/4" Slots	1	15 3/4	1 9/16	3
		2	19 3/8	3 1/16	4 1/2
		3	23	4 9/16	6
		4	26 5/8	6 1/16	7 1/2
		5	30 1/4	7 9/16	9
		6	33 7/8	9 1/16	10 3/4
		7	37 1/2	10 9/16	12
		8	41 1/8	12 1/16	13 1/2
XG-6610	1" Slots	1	16 3/8	1 13/16	3 1/4
		2	20 5/8	3 9/16	5
		3	24 13/16	5 5/16	6 5/8
		4	29 1/16	7 1/16	8 1/2
		5	33 1/4	8 13/16	10 1/4
		6	37 1/2	10 9/16	12
		7	41 3/4	12 5/16	13 3/4
		8	45 15/16	14 1/16	15 1/2
XG-6615	1 1/2" Slots	1	17 9/16	2 5/16	3 3/4
		2	23	4 9/16	6
		3	28 7/16	6 13/16	8 1/4
		4	33 7/8	9 1/16	10 1/2

1. Available Finishes

- Standard Finish:
 20 - White Face, Black Back
 21 - Clear anodized with Black Pattern Controller
 03 - Black
 Optional Finish:
 28 - Special/Setup Charge

2. Available Accessories

3. Available Options

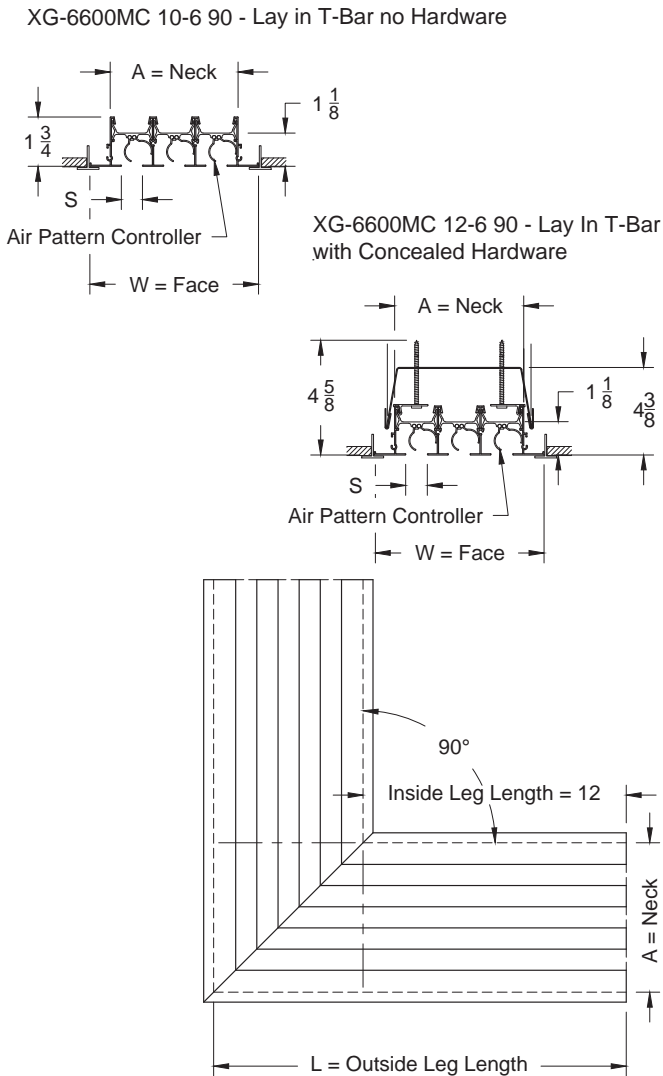
4. Construction Details

- Sizes available in only 1-8 slots
- Extruded Aluminum Construction
- Supply units come standard with pattern controllers
- Return units do not come with pattern controllers

All Dimensions ±1/16"

MODEL XG-6600MC

Model: XG-6600MC-10-6 90 1 1/8" Border - 90° Miter Corner - Lay In T-Bar with no Hardware
 XG-6600MC-12-6 90 1 1/8" Border - 90° Miter Corner - Lay In T-Bar with Concealed Hardware



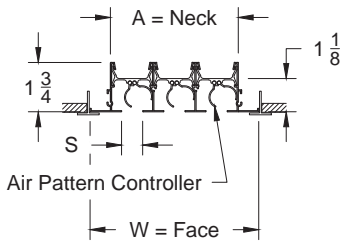
Model	XG-6600MC-10-12-6 90				
	S = Slots	Outside Leg	Neck	Face	
		L	A	W	
XG-6650	1/2" Slots	1	13 5/16	1 5/16	2 3/4
		2	14 9/16	2 9/16	4
		3	15 13/16	3 13/16	5 1/4
		4	17 1/16	5 1/16	6 1/2
		5	18 5/16	6 5/16	7 3/4
		6	19 9/16	7 9/16	9
		7	20 13/16	8 13/16	10 1/4
		8	22 1/16	10 1/16	11 1/2
XG-6675	3/4" Slots	1	13 9/16	1 9/16	3
		2	15 1/16	3 1/16	4 1/2
		3	16 9/16	4 9/16	6
		4	18 1/16	6 1/16	7 1/2
		5	19 9/16	7 9/16	9
		6	21 1/16	9 1/16	10 3/4
		7	22 9/16	10 9/16	12
		8	24 1/16	12 1/16	13 1/2
XG-6610	1" Slots	1	13 13/16	1 13/16	3 1/4
		2	15 9/16	3 9/16	5
		3	17 5/16	5 5/16	6 5/8
		4	19 1/16	7 1/16	8 1/2
		5	20 13/16	8 13/16	10 1/4
		6	22 9/16	10 9/16	12
		7	24 5/16	12 5/16	13 3/4
		8	26 1/16	14 1/16	15 1/2
XG-6615	1 1/2" Slots	1	14 5/16	2 5/16	3 3/4
		2	16 9/16	4 9/16	6
		3	18 13/16	6 13/16	8 1/4
		4	21 1/16	9 1/16	10 1/2

1. Available Finishes	2. Available Accessories	3. Available Options	4. Construction Details
Standard Finish: 20 - White Face, Black Back 21 - Clear anodized with Black Pattern Controller 03 - Black Optional Finish: 28 - Special/Setup Charge			<ul style="list-style-type: none"> Sizes available in only 1-8 slots Extruded Aluminum Construction Supply units come standard with pattern controllers Return units do not come with pattern controllers <p>All Dimensions ±1/16"</p>

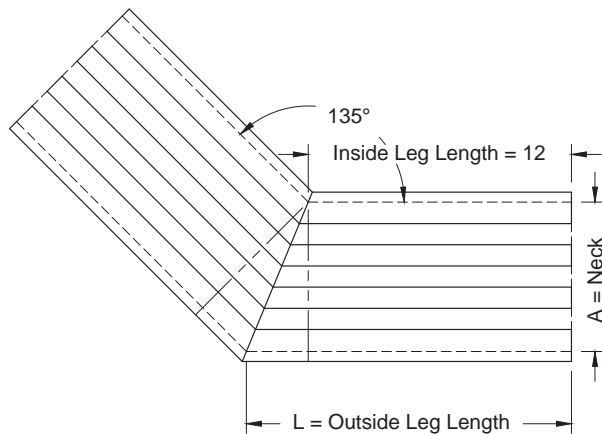
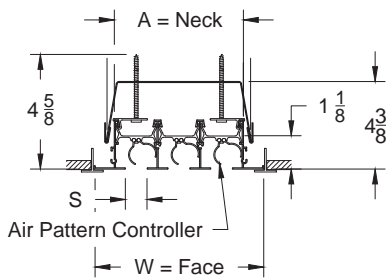
MODEL XG-6600MC

Model: XG-6600-10-6 135 1 1/8" Border - 135° Miter Corner - Lay In T-Bar with no Hardware
 XG-6600-12-6 135 1 1/8" Border - 135° Miter Corner - Lay In T-Bar with Concealed Hardware

XG-6600MC 10-6 135 - Lay in T-Bar no Hardware



XG-6600MC 12-6 135 - Lay In T-Bar with Concealed Hardware



Model	XG-6600MC-10-12-6 135				
	S = Slots	Outside Leg	Neck	Face	
		L	A	W	
XG-6650	1/2" Slots	1	12 9/16	1 5/16	2 3/4
		2	13 1/16	2 9/16	4
		3	13 9/16	3 13/16	5 1/4
		4	14 1/8	5 1/16	6 1/2
		5	14 5/8	6 5/16	7 3/4
		6	15 1/8	7 9/16	9
		7	15 5/8	8 13/16	10 1/4
		8	16 3/16	10 1/16	11 1/2
XG-6675	3/4" Slots	1	12 5/8	1 9/16	3
		2	13 1/4	3 1/16	4 1/2
		3	13 7/8	4 9/16	6
		4	14 1/2	6 1/16	7 1/2
		5	15 1/8	7 9/16	9
		6	15 3/4	9 1/16	10 3/4
		7	16 3/8	10 9/16	12
		8	17	12 1/16	13 1/2
XG-6610	1" Slots	1	12 3/4	1 13/16	3 1/4
		2	13 1/2	3 9/16	5
		3	14 3/16	5 5/16	6 5/8
		4	14 15/16	7 1/16	8 1/2
		5	15 5/8	8 13/16	10 1/4
		6	16 3/8	10 9/16	12
		7	17 1/8	12 5/16	13 3/4
		8	17 13/16	14 1/16	15 1/2
XG-6615	1 1/2" Slots	1	12 15/16	2 5/16	3 3/4
		2	13 7/8	4 9/16	6
		3	14 13/16	6 13/16	8 1/4
		4	15 3/4	9 1/16	10 1/2

1. Available Finishes

Standard Finish:
 20 - White Face, Black Back
 21 - Clear anodized with Black Pattern Controller
 03 - Black
 Optional Finish:
 28 - Special/Setup Charge

2. Available Accessories

3. Available Options

4. Construction Details

- Sizes available in only 1-8 slots
- Extruded Aluminum Construction
- Supply units come standard with pattern controllers
- Return units do not come with pattern controllers

All Dimensions ±1/16"

XG-6600 MODEL NUMBER SPECIFICATION
MODEL XG-6600

Mounting Styles	Border Width	T-bar Lay-in	Surface Mount	Concealed Spline	Drop Face	Narrow Tee	Mud Flange
Screw Mounted	1 1/8		XG-6600-11-1				
Concealed Mtg Hardware	1 1/8	XG-6600-12-6	XG-6600-12-1				
	3/4	XG-6600-22-6					
	1/2	XG-6600-32-6					
	25/32			XG-6600-42-7	XG-6600-42-8	XG-6600-42-9	
	1-13/16						XG-6600-52-1
No Mtg. Hardware	1 1/8	XG-6600-10-6					
	3/4	XG-6600-20-6					
	1/2	XG-6600-30-6					
	25/32			XG-6600-40-7	XG-6600-40-8	XG-6600-40-9	
	1-13/16						XG-6600-50-1

Concealed Spline	Concealed Wall Mounting	Plaster Concealed Wall Mounting
Plaster Mtg Frame	Spline Plaster Mtg Frame	Wall Mtg Frame
3/4 Border XG-6600-22-73	3/4 Border XG-6600-22-74	3/4 Border XG-6600-22-75

Number of Slots Available	Slot Width	Model #	Available Finishes		Available Accessories
1 through 8	1/2	XG-6650	Standard		Boot Plenums
	3/4	XG-6675	20	White / Black	
	1	XG-6610	Optional		
	1 1/2	XG-6615	21	Clear Anodized / Black	
			02	Satin Silver / Black	
			03	Black / Black	

SERIES XG-6600 PERFORMANCE DATA
MODEL XG-6650 1/2" SLOT - CFM PER LINEAR FOOT

Slots	Static Pressure	Horizontal Vertical	.005	.021	.047	.083	.130	.188	.255	.334	.422	.521
			.004	.015	.033	.058	.091	.132	.179	.234	.295	.365
1	CFMLF		5	10	15	20	25	30	35	40	45	50
	Horizontal Throw		1-1-6	3-6-12	6-10-14	10-12-17	11-13-19	12-14-20	13-16-22	14-17-24	14-18-25	15-19-26
	Vertical Throw		2	7	9	11	12	13	14	15	16	17
	Horizontal NC		<15	<15	<15	17	22	27	30	34	36	38
	Vertical NC		<15	<15	<15	<15	<15	15	18	22	24	26
2	CFMLF		10	20	30	40	50	60	70	80	90	100
	Horizontal Throw		1-2-8	4-8-17	8-14-20	14-17-24	15-19-26	17-20-29	18-22-31	19-24-33	20-25-35	22-36-37
	Vertical Throw		3	9	13	15	17	18	20	21	23	24
	Horizontal NC		<15	<15	<15	20	25	30	33	37	39	41
	Vertical NC		<15	<15	<15	<15	<15	18	21	25	27	29
3	CFMLF		16	30	45	60	75	90	105	120	135	150
	Horizontal Throw		2-4-13	6-13-20	13-18-25	17-20-29	19-23-32	20-25-35	22-27-38	18-22-31	19-24-33	20-25-35
	Vertical Throw		5	11	16	18	21	23	24	26	28	29
	Horizontal NC		<15	<15	15	22	27	32	35	39	41	43
	Vertical NC		<15	<15	<15	<15	15	20	23	27	29	31
4	CFMLF		20	40	60	80	100	120	140	160	180	200
	Horizontal Throw		3-6-15	10-15-24	15-20-29	19-24-33	22-26-37	24-29-41	26-31-44	27-33-47	29-35-50	31-37-53
	Vertical Throw		5	13	18	21	24	26	28	30	32	34
	Horizontal NC		<15	<15	17	24	29	33	36	40	42	44
	Vertical NC		<15	<15	<15	<15	17	21	24	28	30	32
5	CFMLF		25	50	75	100	125	150	175	200	225	250
	Horizontal Throw		3-7-16	11-16-25	16-23-32	22-26-30	24-30-42	26-32-46	29-35-49	31-37-53	32-40-56	34-42-59
	Vertical Throw		6	19	23	26	29	32	34	37	39	41
	Horizontal NC		<15	<15	19	26	31	35	37	41	43	45
	Vertical NC		<15	<15	<15	<15	19	23	25	29	31	33
6	CFMLF		30	60	90	120	150	180	210	240	270	300
	Horizontal Throw		4-8-20	14-20-29	20-25-35	24-29-41	26-32-46	29-35-50	31-38-54	33-41-58	35-43-61	37-56-65
	Vertical Throw		6	16	23	26	20	32	34	37	39	41
	Horizontal NC		<15	17	20	27	32	36	38	42	44	46
	Vertical NC		<15	<15	<15	15	20	24	26	30	32	35
7	CFMLF		35	70	105	140	175	210	245	280	315	350
	Horizontal Throw		5-9-18	12-18-31	18-27-38	24-31-44	29-35-49	31-38-54	34-41-59	36-44-63	38-47-66	40-49-70
	Vertical Throw		7	17	24	28	31	34	37	40	42	45
	Horizontal NC		<15	18	21	28	33	37	39	43	45	47
	Vertical NC		<15	<15	<15	16	21	25	27	31	33	35
8	CFMLF		40	80	120	160	200	240	280	320	360	400
	Horizontal Throw		6-10-19	13-19-33	19-29-41	26-33-47	31-37-53	33-41-58	36-44-63	39-47-67	41-50-71	45-53-75
	Vertical Throw		7	18	26	30	34	37	40	43	45	48
	Horizontal NC		<15	20	22	29	34	39	40	44	46	48
	Vertical NC		<15	<15	<15	17	22	27	28	32	34	36

SERIES XG-6600 PERFORMANCE DATA
MODEL XG-6675 3/4" SLOT - CFM PER LINEAR FOOT

Slots	Static Pressure	Horizontal Vertical	0.011	0.024	0.042	0.066	0.095	0.129	0.168	0.213	0.263	0.318
			.007	.014	.025	.040	.057	.077	.101	.128	.158	.191
1	CFMLF		10	15	20	25	30	35	40	45	50	55
	Horizontal Throw		1-2-6	2-4-14	3-6-22	4-10-24	6-14-27	9-19-29	11-22-31	14-26-33	18-24-35	20-26-36
	Vertical Throw		2	6	10	12	13	14	15	16	17	18
	Horizontal NC		<15	<15	<15	15	19	23	25	28	31	33
	Vertical NC		<15	<15	<15	<15	<15	<15	<15	16	19	21
2	CFMLF		20	30	40	50	60	70	80	90	100	110
	Horizontal Throw		1-3-10	3-6-22	5-10-29	7-16-35	10-22-38	14-26-41	19-29-44	22--33-46	25-35-49	27-36-51
	Vertical Throw		4	8	14	17	18	20	21	23	24	25
	Horizontal NC		<15	<15	<15	18	22	26	28	31	34	36
	Vertical NC		<15	<15	<15	<15	<15	<15	16	19	22	24
3	CFMLF		30	45	60	75	90	105	120	135	150	165
	Horizontal Throw		1-3-13	3-7-27	6-13-36	9-20-41	13-27-44	17-32-48	23-36-51	27-39-54	30-41-57	33-43-60
	Vertical Throw		4	10	17	21	23	24	26	28	29	31
	Horizontal NC		<15	<15	<15	20	24	28	30	33	35	37
	Vertical NC		<15	<15	<15	<15	<15	16	18	21	23	25
4	CFMLF		40	60	80	100	120	140	160	180	200	220
	Horizontal Throw		4-10-24	10-18-36	16-24-42	20-30-47	24-36-51	28-39-55	32-42-59	36-44-63	38-47-66	40-49-70
	Vertical Throw		5	11	20	24	26	28	30	32	34	35
	Horizontal NC		<15	15	16	22	25	30	31	35	37	39
	Vertical NC		<15	<15	<15	<15	<15	18	19	23	25	27
5	CFMLF		50	75	100	125	150	175	200	225	250	275
	Horizontal Throw		10-15-30	15-23-41	20-30-47	25-37-52	30-41-57	35-44-62	38-47-66	41-50-70	43-52-74	45-55-78
	Vertical Throw		6	13	22	27	29	31	34	36	38	39
	Horizontal NC		<15	16	17	23	26	32	33	36	38	40
	Vertical NC		<15	<15	<15	<15	<15	20	21	24	20	28
6	CFMLF		60	90	120	150	180	210	240	270	300	330
	Horizontal Throw		10-15-29	15-22-44	20-29-51	24-37-57	29-44-63	34-48-68	39-51-73	44-54-77	47-57-81	49-60-85
	Vertical Throw		6	14	24	29	32	34	37	39	41	43
	Horizontal NC		<15	17	19	24	28	33	34	37	39	41
	Vertical NC		<15	<15	<15	<15	16	21	22	25	27	29
7	CFMLF		70	105	140	175	210	245	280	315	350	385
	Horizontal Throw		11-16-32	16-24-48	21-32-55	26-40-63	32-48-68	37-52-73	42-55-78	48-59-83	51-62-88	53-65-92
	Vertical Throw		7	15	26	31	34	37	40	42	45	47
	Horizontal NC		16	18	20	24	29	34	35	38	40	42
	Vertical NC		<15	<15	<15	<15	17	22	23	26	28	30
8	CFMLF		80	120	160	200	240	280	320	360	400	440
	Horizontal Throw		11-17-34	17-25-51	23-34-59	28-42-66	34-51-73	40-55-78	45-59-84	51-63-89	54-66-94	57-70-99
	Vertical Throw		7	16	28	34	37	40	43	45	48	50
	Horizontal NC		18	19	22	25	30	35	37	39	41	43
	Vertical NC		<15	<15	<15	<15	18	23	25	27	29	31

LINEAR DIFFUSERS
AND GRILLES

LINEAR SLOT DIFFUSERS

XG-6600

SERIES XG-6600 PERFORMANCE DATA
MODEL XG-6610 1" SLOT - CFM PER LINEAR FOOT

Slots	Static Pressure	Horizontal Vertical	.008	.030	.047	.068	.092	.120	.152	.188	.227	.270
			.003	.012	.020	.028	.037	.040	.061	.076	.092	.109
1	CFMLF		10	20	25	30	35	40	45	50	55	60
	Horizontal Throw		1-2-6	3-6-22	4-10-24	6-14-27	9-19-29	11-22-31	14-23-33	18-24-35	20-26-36	22-27-38
	Vertical Throw		2	10	12	13	14	15	16	17	18	18
	Horizontal NC		<15	<15	<15	<15	19	22	24	26	28	30
	Vertical NC		<15	<15	<15	<15	<15	<15	<15	<15	16	18
2	CFMLF		20	40	50	60	70	80	90	100	110	120
	Horizontal Throw		1-3-10	5-10-29	7-16-35	10-22-38	14-26-41	19-29-44	22-33-46	25-35-49	27-36-51	29-38-54
	Vertical Throw		4	14	17	18	20	21	23	24	25	26
	Horizontal NC		<15	<15	<15	<15	21	25	27	29	31	33
	Vertical NC		<15	<15	<15	<15	<15	<15	15	17	19	21
3	CFMLF		30	60	75	90	105	120	135	150	165	180
	Horizontal Throw		3-7-18	12-18-36	15-23-41	18-27-44	21-32-48	24-26-51	27-39-54	30-41-57	33-43-60	36-44-63
	Vertical Throw		4	17	21	23	24	26	28	29	31	32
	Horizontal NC		<15	<15	<15	17	22	27	28	30	32	34
	Vertical NC		<15	<15	<15	<15	<15	15	16	18	20	22
4	CFMLF		40	80	100	120	140	160	180	200	220	240
	Horizontal Throw		4-10-24	16-24-42	20-30-47	24-36-51	28-39-55	32-42-59	36-44-63	38-47-66	40-49-70	42-51-73
	Vertical Throw		5	20	24	26	28	30	32	34	35	37
	Horizontal NC		<15	<15	15	19	24	29	30	32	34	36
	Vertical NC		<15	<15	<15	<15	<15	17	18	20	22	24
5	CFMLF		50	100	125	150	175	200	225	250	275	300
	Horizontal Throw		10-15-30	20-30-47	25-37-52	30-41-57	35-44-62	38-47-66	41-50-70	43-52-74	45-55-78	47-57-81
	Vertical Throw		6	24	29	32	34	37	39	41	43	45
	Horizontal NC		<15	<15	16	21	25	31	32	34	35	37
	Vertical NC		<15	<15	<15	<15	<15	19	20	22	23	25
6	CFMLF		60	120	150	180	210	240	270	300	330	360
	Horizontal Throw		10-15-29	20-29-51	24-37-57	29-44-63	34-48-68	39-51-73	44-54-77	47-57-81	49-60-85	51-63-89
	Vertical Throw		6	24	29	32	34	37	39	41	43	45
	Horizontal NC		<15	15	17	22	27	33	34	35	36	38
	Vertical NC		<15	<15	<15	<15	<15	21	22	23	24	26
7	CFMLF		70	140	175	210	245	280	315	350	385	420
	Horizontal Throw		11-16-32	21-32-55	26-40-62	32-48-68	37-52-73	42-55-78	48-59-83	51-62-88	53-65-92	55-68-96
	Vertical Throw		7	26	31	34	37	40	42	45	47	49
	Horizontal NC		<15	16	18	24	28	34	36	37	37	39
	Vertical NC		<15	<15	<15	<15	16	22	24	25	25	27
8	CFMLF		80	160	200	240	280	320	360	400	440	480
	Horizontal Throw		11-17-34	23-34-59	28-42-66	34-51-73	40-55-78	45-59-84	51-63-89	54-66-94	57-70-98	59-73-103
	Vertical Throw		7	28	34	37	40	43	47	48	50	52
	Horizontal NC		<15	16	20	26	30	35	37	38	39	41
	Vertical NC		<15	<15	<15	<15	18	23	25	26	27	29

SERIES XG-6600 PERFORMANCE DATA
MODEL XG-6615 1 1/2" SLOT - CFM PER LINEAR FOOT

Slots	Static Pressure	Horizontal	0.005	0.038	0.052	0.069	0.089	0.112	0.137	0.165	0.196	0.229
		Vertical	0.006	0.042	0.058	0.077	0.098	0.123	0.151	0.182	0.216	0.253
1	CFM/LF		10	25	30	35	40	45	50	55	60	65
	Horizontal Throw		1-2-6	4-10-24	6-14-27	9-19-29	11-22-31	14-23-33	18-24-35	20-26-36	22-27-38	23-28-39
	Vertical Throw		2	12	13	14	15	16	17	18	18	19
	Horizontal NC		<15	<15	<15	19	22	24	26	28	30	32
	Vertical NC		<15	<15	<15	<15	<15	<15	<15	<15	16	18
2	CFM/LF		20	50	60	70	80	90	100	110	120	130
	Horizontal Throw		1-3-10	7-16-35	10-22-38	14-26-41	19-29-44	22-33-46	25-35-49	27-36-51	29-38-54	32-39-56
	Vertical Throw		4	17	18	20	21	23	24	25	26	27
	Horizontal NC		<15	<15	<15	21	25	27	29	31	33	36
	Vertical NC		<15	<15	<15	<15	<15	15	17	19	21	23
3	CFM/LF		30	75	90	105	120	135	150	165	180	195
	Horizontal Throw		3-7-18	15-23-41	18-27-44	21-32-48	24-36-51	27-39-54	30-41-57	33-43-60	36-44-63	38-46-65
	Vertical Throw		4	21	23	24	26	28	29	31	32	33
	Horizontal NC		<15	<15	17	22	27	28	30	32	34	37
	Vertical NC		<15	<15	<15	<15	15	16	18	20	22	24
4	CFM/LF		40	100	120	140	160	180	200	220	240	260
	Horizontal Throw		4-10-24	20-30-47	24-36-51	28-39-55	32-42-59	36-44-63	38-47-66	40-49-70	42-51-73	44-53-76
	Vertical Throw		5	24	26	28	30	32	34	35	37	38
	Horizontal NC		<15	15	19	24	29	30	32	34	36	39
	Vertical NC		<15	<15	<15	<15	17	18	20	22	24	26

SERIES XG-6600R PERFORMANCE DATA
MODEL XG-6650R 1/2" SLOT WIDTH

Number of Slots	Negative Ps Inches of Water	.020	.040	.060	.080	.100	.150
1	CFM/ft.	15	20	25	30	35	40
	NC	-	20	27	32	37	41
2	CFM/ft.	35	50	60	70	80	95
	NC	-	22	27	32	37	41
3	CFM/ft.	55	80	95	110	125	150
	NC	-	23	28	33	37	42
4	CFM/ft.	70	100	120	140	155	190
	NC	-	24	30	34	37	44
5	CFM/ft.	90	135	155	180	200	245
	NC	-	25	30	34	37	44
6	CFM/ft.	110	155	195	220	245	300
	NC	-	26	33	37	40	96
7	CFM/ft.	130	185	225	260	290	365
	NC	-	27	33	37	41	47
8	CFM/ft.	140	200	245	280	310	385
	NC	-	28	34	38	42	48

SERIES XG-6600R PERFORMANCE DATA
MODEL XG-6675R 3/4" SLOT WIDTH

Number of Slots	Negative Ps Inches of Water	.020	.040	.060	.080	.100	.150
1	CFM/ft.	25	35	45	50	55	70
	NC	-	21	29	32	35	42
2	CFM/ft.	55	80	90	100	110	135
	NC	-	25	29	32	35	42
3	CFM/ft.	90	115	140	160	180	220
	NC	-	26	32	36	40	46
4	CFM/ft.	100	140	175	200	225	275
	NC	-	27	34	38	41	47
5	CFM/ft.	140	185	225	260	290	360
	NC	-	28	34	38	42	48
6	CFM/ft.	160	225	275	320	360	440
	NC	-	29	35	40	43	49
7	CFM/ft.	175	250	305	350	395	480
	NC	-	30	36	40	44	50
8	CFM/ft.	200	285	350	400	450	545
	NC	-	31	37	41	45	51

SERIES XG-6600R PERFORMANCE DATA
MODEL XG-6610R 1" SLOT WIDTH

Number of Slots	Negative Ps Inches of Water	.020	.040	.060	.080	.100	.150
1	CFM/ft.	35	50	60	70	80	95
	NC	-	25	31	36	40	45
2	CFM/ft.	70	100	125	140	155	190
	NC	-	27	33	37	41	47
3	CFM/ft.	105	150	185	210	235	285
	NC	-	29	35	39	43	49
4	CFM/ft.	140	200	250	280	310	380
	NC	-	31	37	41	45	51
5	CFM/ft.	175	250	300	350	390	475
	NC	-	32	38	42	46	52
6	CFM/ft.	210	300	375	420	465	570
	NC	-	33	40	43	47	53
7	CFM/ft.	245	350	425	490	545	665
	NC	-	34	41	44	47	54
8	CFM/ft.	280	400	475	560	620	760
	NC	-	35	42	45	48	55

SERIES XG-6600R PERFORMANCE DATA
MODEL XG-6615R 1.5" SLOT WIDTH

Number of Slots	Negative Ps Inches of Water	.020	.040	.060	.080	.100	.150
1	CFM/ft.	55	80	90	110	130	145
	NC	-	31	33	42	48	50
2	CFM/ft.	100	140	195	220	245	300
	NC	-	29	39	45	51	55
3	CFM/ft.	135	220	275	310	345	415
	NC	-	33	39	43	45	53
4	CFM/ft.	220	320	400	440	480	590
	NC	-	37	41	45	50	56

PERFORMANCE NOTES FOR SERIES XG-6600

All data is tested in accordance with ANSI/ASHRAE 70-2006.

DEFINITION OF UNITS

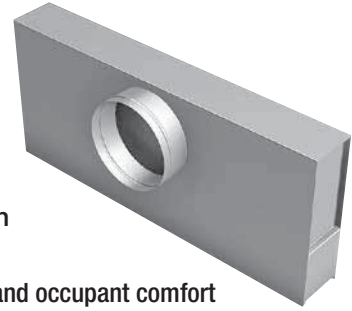
1. On units without XG-UP/UPI plenums, pressure drop reported is across the diffuser element only. The field supply plenum pressure drop should be included when determining system fan requirements. A good approximation of the static pressure requirements can be calculated by adding the velocity pressure through the plenum inlet to the diffuser section pressure drop.
2. NC is based on a 4 ft. section of diffuser. The following table should be used to calculate sound levels for lengths other than 4 ft.
3. To correct throws for lengths other than the 4 ft. lengths used in determining catalog performance, throws should be adjusted per the following table:

NC Correction for Length			
Length (feet)	2	4	6
NC Correction	-2	0	2
Throw Correction Multiplier for Length			
Length (feet)	2	4	8
Throw Correction	-7	1	1.2

4. All pressures are in inches of water.
5. Isothermal throws are given for terminal velocities of 150, 100 and 50 fpm, based upon 4 ft. section.
6. Vertical throw values are based on a 50 fpm terminal velocity.
7. For Vertical supply subtract one NC.
8. For Returns minus pattern controllers, deduct 12 NC.
9. Throw values are based on a One-Way discharge from the slot. For Two-Way discharge, throw is based upon the number and size of the slots throwing in each direction, with the total supply airflow split equally between all slots in the unit.
10. Data was collected in accordance with ASHRAE standard 70-2006 Method of Testing for rating the performance of air outlets and inlets.

MODEL XG-UP-6600

Model XG-UP-6600 Boot Plenum is an easily installed, economical accessory to the XG-6600 Linear Slot Diffuser. XG-UP-6600 Boot Plenums are designed to connect the series XG-6600 to the ducted supply or return. Factory-supplied units reduce both jobsite fabrication and installation labor.

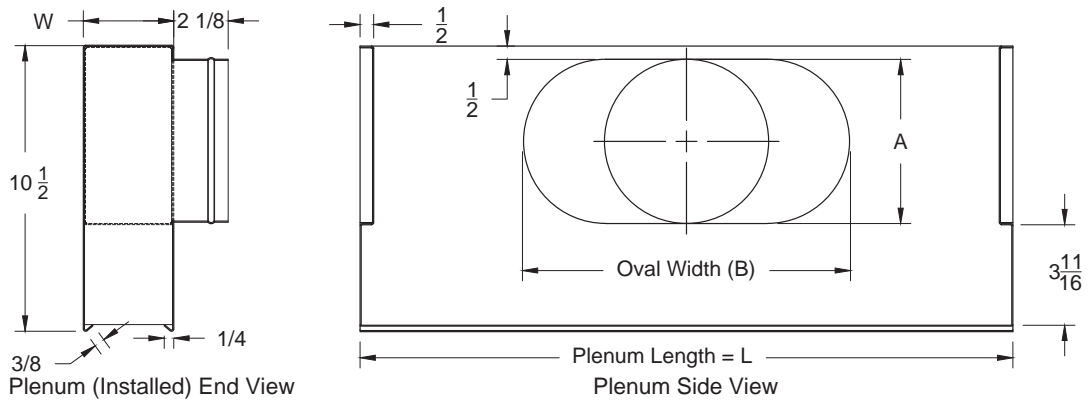


- Units provide an even distribution of air into the diffuser to maximize inductions and occupant comfort
- Available widths to fit XG-6600 with one to eight slots
- Standard lengths are 24", 36", 48", 60" and 72"
- XG-UPI-6600 is fully insulated including the end caps. Optional Thermopure insulation is available. External insulation also available
- Available with optional LQ, locking quadrant damper, ID, inlet damper, XG-FODR, face operated damper, or XG-ROD, remote operated damper
- UP-XG-6600 is shipped separately from the XG-6600 linear slot diffuser and requires field attachment

MODEL XG-UP-6650

Model: XG-UP-6650 Universal Plenum Non-Insulated for 1/2" Slot Linear Diffusers

XG-UP-6650 - Universal Plenum Non-Insulated for 1/2" Slot Linear Diffusers



Model	S = Slots		PLENUM
	Slots	D2	
XG-UP-6650	1	1/2" Slots	2 5/16
	2		3 9/16
	3		4 13/16
	4		6 1/16

Model	S = Slots		PLENUM
	Slots	D2	
XG-UP-6650	5	1/2" Slots	7 5/16
	6		8 9/16
	7		9 13/16
	8		11 1/16

Inlet Chart			
Size	Type	A	B
6	Round	5 7/8	
8	Oval	5 7/8	8 15/16
10	Oval	5 7/8	12 1/16
12	Oval	5 7/8	15 1/4
14	Oval	5 7/8	18 7/16

L = Listed Size ± Linear End Types

Description	FRAME	Border Size	2 EB / MM	1 EB / MO	No Ends	2 EC	1 EC
T-Bar Lay-In	10-6, 12-6	1 - 1/8"	-2 1/8	- 1 1/16	± 0	± 0	± 0
Screw Mount **	11-1	Note: ** Not Recommended End Type For This Style					
Concealed Mount	12-1	1 - 1/8"	± 0	± 0	± 0	± 0	± 0
T-Bar Lay-In	20-6, 22-6	3/4"	- 1 3/8	- 11/16	± 0	± 0	± 0
T-Bar Lay-In	30-6, 32-6	1/2"	- 7/8	- 7/16	± 0	± 0	± 0
Concealed Spline, Drop Face, Bolt Slot	40-7, 40-8, 40-9	22/32"	- 1/4	- 1/8	± 0	± 0	± 0
Concealed Spline, Drop Face, Bolt Slot	42-7, 42-8, 42-9	22/32"	- 1/4	- 1/8	± 0	± 0	± 0
Mud Flange	50-1, 52-1	1 13/16	± 0	± 0	± 0	± 0	± 0

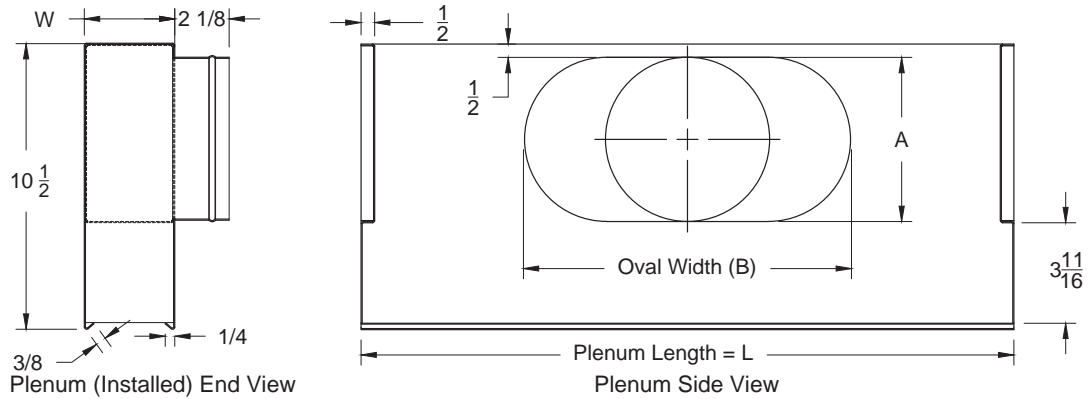
1. Available Finishes	2. Available Accessories	3. Available Options	4. Construction Details
	XG-FODR - Face Operated Damper Rod XG-ID - Inlet Damper XG-LQ - Locking Quadrant Damper XG-ROD - Remote Operated Damper	1EC - (1) End Cap 2EC - (2) End Caps 1EB - (1) End Border 2EB - (2) End Borders OO - Open / Open	<ul style="list-style-type: none"> Standard Lengths: 24, 36, 48, 60, 72 Custom Length available for extra charge 12" minimum – 72" maximum NI - No Inlet

All Dimensions ±1/16"

MODEL XG-UP-6675

Model: XG-UP-6675 Universal Plenum Non-Insulated for 3/4" Slot Linear Diffusers

XG-UP-6675 - Universal Plenum Non-Insulated for 3/4" Slot Linear Diffusers



Model	S = Slots		PLENUM
	Slots	D2	
XG-UP-6675	1	3/4" Slots	2 9/16
	2		4 1/16
	3		5 9/16
	4		7 1/16

Model	S = Slots		PLENUM
	Slots	D2	
XG-UP-6675	5	3/4" Slots	8 9/16
	6		10 1/16
	7		11 9/16
	8		13 1/16

Inlet Chart			
Size	Type	A	B
6	Round	5 7/8	
8	Oval	5 7/8	8 15/16
10	Oval	5 7/8	12 1/16
12	Oval	5 7/8	15 1/4
14	Oval	5 7/8	18 7/16

L = Listed Size ± Linear End Types

Description	FRAME	Border Size	2 EB / MM	1 EB / MO	No Ends	2 EC	1 EC
T-Bar Lay-In	10-6, 12-6	1 - 1/8"	-2 1/8	- 1 1/16	± 0	± 0	± 0
Screw Mount **	11-1	Note: ** Not Recommended End Type For This Style					
Concealed Mount	12-1	1 - 1/8"	± 0	± 0	± 0	± 0	± 0
T-Bar Lay-In	22-6, 22-6	3/4"	- 1 3/8	- 11/16	± 0	± 0	± 0
T-Bar Lay-In	30-6, 32-6	1/2"	- 7/8	- 7/16	± 0	± 0	± 0
Concealed Spline, Drop Face, Bolt Slot	40-7, 40-8, 40-9	22/32"	- 1/4	- 1/8	± 0	± 0	± 0
Concealed Spline, Drop Face, Bolt Slot	42-7, 42-8, 42-9	22/32"	- 1/4	- 1/8	± 0	± 0	± 0
Mud Flange	50-1, 52-1	1 13/16	± 0	± 0	± 0	± 0	± 0

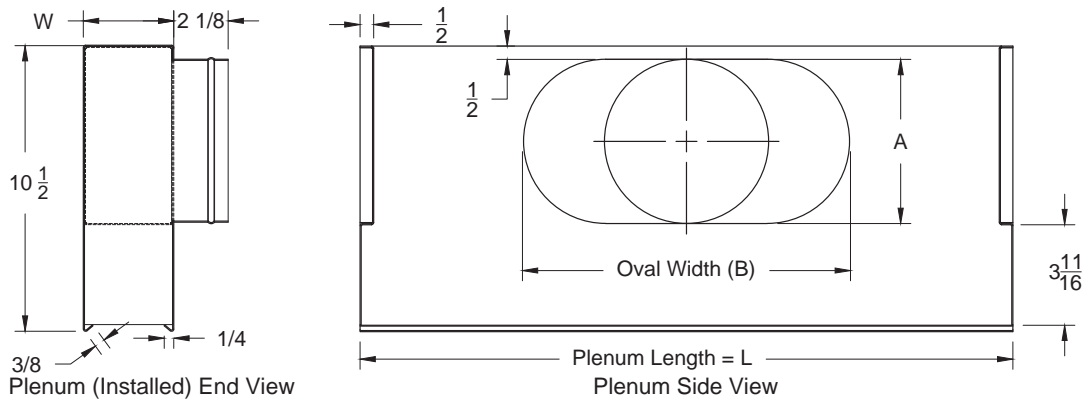
1. Available Finishes	2. Available Accessories	3. Available Options	4. Construction Details
	XG-FODR - Face Operated Damper Rod XG-ID - Inlet Damper XG-LQ - Locking Quadrant Damper XG-ROD - Remote Operated Damper	1EC - (1) End Cap 2EC - (2) End Caps 1EB - (1) End Border 2EB - (2) End Borders OO - Open / Open	<ul style="list-style-type: none"> Standard Lengths: 24, 36, 48, 60, 72 Custom Length available for extra charge 12" minimum – 72" maximum NI - No Inlet

All Dimensions ±1/16"

MODEL XG-UP-6610

Model: XG-UP-6610 Universal Plenum Non-Insulated for 1" Slot Linear Diffusers

XG-UP-6610 - Universal Plenum Non-Insulated for 1" Slot Linear Diffusers



Model	S = Slots		PLENUM
	Slots	D2	
XG-UP-6610	1	1" Slots	2 13/16
	2		4 9/16
	3		6 5/16
	4		8 1/16

Model	S = Slots		PLENUM
	Slots	D2	
XG-UP-6610	5	1" Slots	9 13/16
	6		11 9/16
	7		13 5/16
	8		15 1/16

Inlet Chart			
Size	Type	A	B
6	Round	5 7/8	
8	Oval	5 7/8	8 15/16
10	Oval	5 7/8	12 1/16
12	Oval	5 7/8	15 1/4
14	Oval	5 7/8	18 7/16

L = Listed Size ± Linear End Types

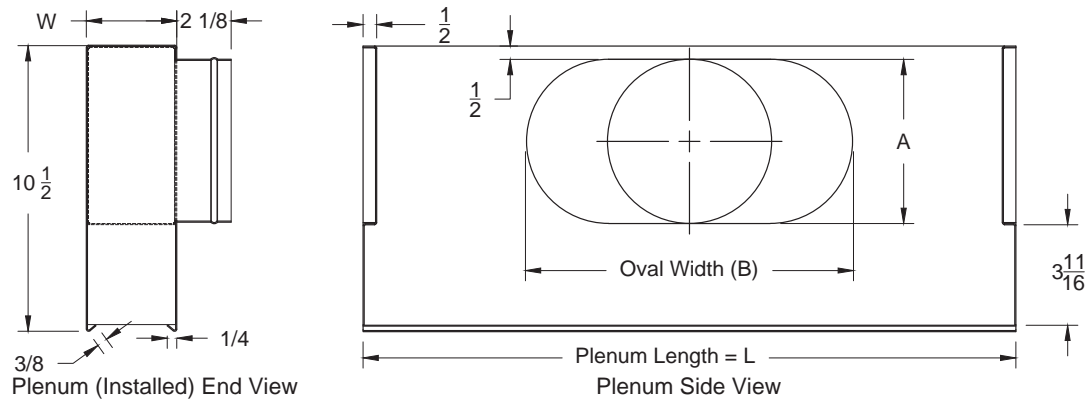
Description	FRAME	Border Size	2 EB / MM	1 EB / MO	No Ends	2 EC	1 EC
T-Bar Lay-In	10-6, 12-6	1 - 1/8"	-2 1/8	- 1 1/16	± 0	± 0	± 0
Screw Mount **	11-1	Note: ** Not Recommended End Type For This Style					
Concealed Mount	12-1	1 - 1/8"	± 0	± 0	± 0	± 0	± 0
T-Bar Lay-In	22-6, 22-6	3/4"	- 1 3/8	- 11/16	± 0	± 0	± 0
T-Bar Lay-In	30-6, 32-6	1/2"	- 7/8	- 7/16	± 0	± 0	± 0
Concealed Spline, Drop Face, Bolt Slot	40-7, 40-8, 40-9	22/32"	- 1/4	- 1/8	± 0	± 0	± 0
Concealed Spline, Drop Face, Bolt Slot	42-7, 42-8, 42-9	22/32"	- 1/4	- 1/8	± 0	± 0	± 0
Mud Flange	50-1, 52-1	1 13/16	± 0	± 0	± 0	± 0	± 0

1. Available Finishes	2. Available Accessories	3. Available Options	4. Construction Details
	XG-FODR - Face Operated Damper Rod XG-ID - Inlet Damper XG-LQ - Locking Quadrant Damper XG-ROD - Remote Operated Damper	1EC - (1) End Cap 2EC - (2) End Caps 1EB - (1) End Border 2EB - (2) End Borders OO - Open / Open	<ul style="list-style-type: none"> Standard Lengths: 24, 36, 48, 60, 72 Custom Length available for extra charge 12" minimum – 72" maximum NI - No Inlet
All Dimensions ±1/16"			

MODEL XG-UP-6615

Model: XG-UP-6615 Universal Plenum Non-Insulated for 1 1/2" Slot Linear Diffusers

XG-UP-6615 - Universal Plenum Non-Insulated for 1 1/2" Slot Linear Diffusers



Model	S = Slots		PLENUM	
	Slots	D2		
XG-UP-6615	1	1 1/2" Slots	3 5/16	
	2		5 9/16	
	3		7 13/16	
	4		10 1/16	

Inlet Chart			
Size	Type	A	B
6	Round	5 7/8	
8	Oval	5 7/8	8 15/16
10	Oval	5 7/8	12 1/16
12	Oval	5 7/8	15 1/4
14	Oval	5 7/8	18 7/16

L = Listed Size ± Linear End Types

Description	FRAME	Border Size	2 EB / MM	1 EB / MO	No Ends	2 EC	1 EC
T-Bar Lay-In	10-6, 12-6	1 - 1/8"	-2 1/8	- 1 1/16	± 0	± 0	± 0
Screw Mount **	11-1	Note: ** Not Recommended End Type For This Style					
Concealed Mount	12-1	1 - 1/8"	± 0	± 0	± 0	± 0	± 0
T-Bar Lay-In	22-6, 22-6	3/4"	- 1 3/8	- 11/16	± 0	± 0	± 0
T-Bar Lay-In	30-6, 32-6	1/2"	- 7/8	- 7/16	± 0	± 0	± 0
Concealed Spline, Drop Face, Bolt Slot	40-7, 40-8, 40-9	22/32"	- 1/4	- 1/8	± 0	± 0	± 0
Concealed Spline, Drop Face, Bolt Slot	42-7, 42-8, 42-9	22/32"	- 1/4	- 1/8	± 0	± 0	± 0
Mud Flange	50-1, 52-1	1 13/16	± 0	± 0	± 0	± 0	± 0

1. Available Finishes	2. Available Accessories	3. Available Options	4. Construction Details
	XG-FODR - Face Operated Damper Rod XG-ID - Inlet Damper XG-LQ - Locking Quadrant Damper XG-ROD - Remote Operated Damper	1EC - (1) End Cap 2EC - (2) End Caps 1EB - (1) End Border 2EB - (2) End Borders OO - Open / Open	<ul style="list-style-type: none"> Standard Lengths: 24, 36, 48, 60, 72 Custom Length available for extra charge 12" minimum – 72" maximum NI - No Inlet

All Dimensions ±1/16"

XG-UP-6600 MODEL NUMBER SPECIFICATION
MODEL XG-UP-6600

Mounting Styles	Border Width	T-bar Lay-in	Surface Mount	Concealed Spline	Drop Face	Narrow Tee	Mud Flange		
Screw Mounted	1 1/8		XG-UP-6600-11-1						
Concealed Mtg Hardware	1 1/8	XG-UP-6600-12-6	XG-UP-6600-12-1						
	3/4	XG-UP-6600-22-6							
	1/2	XG-UP-6600-32-6							
	25/32		XG-UP-6600-42-7					XG-UP-6600-42-8	XG-UP-6600-42-9
	1-13/16								
No Mtg. Hardware	1 1/8	XG-UP-6600-10-6							
	3/4	XG-UP-6600-20-6							
	1/2	XG-UP-6600-30-6							
	25/32		XG-UP-6600-40-7					XG-UP-6600-40-8	XG-UP-6600-40-9
	1-13/16								

Concealed Spline	Concealed Wall Mtg	Plaster Concealed Wall Mounting
Plaster Mtg Frame	Spline Plaster Mtg Frame	Wall Mtg Frame
3/4" Border XG-UP-6600-22-73	3/4" Border XG-UP-6600-22-74	3/4" Border XG-UP-6600-22-75

XG-UP-6600 MODEL NUMBER SPECIFICATION
MODEL XG-UPI-6600

Mounting Styles	Border Width	T-bar Lay-in	Surface Mount	Concealed Spline	Drop Face	Narrow Tee	Mud Flange		
Screw Mounted	1 1/8"		XG-UPI-6600-11-1						
Concealed Mtg Hardware	1 1/8"	XG-UPI-6600-12-6	XG-UPI-6600-12-1						
	3/4"	XG-UPI-6600-22-6							
	1/2"	XG-UPI-6600-32-6							
	25/32"		XG-UPI-6600-42-7					XG-UPI-6600-42-8	XG-UPI-6600-42-9
	1-13/16								
No Mtg Hardware	1 1/8"	XG-UPI-6600-10-6							
	3/4"	XG-UP-6600-20-6							
	1/2"	XG-UPI-6600-30-6							
	25/32"		XG-UPI-6600-40-7					XG-UPI-6600-40-8	XG-UPI-6600-40-9
	1-13/16								

Concealed Spline	Concealed Wall Mtg	Plaster Concealed Wall Mounting
Plaster Mtg Frame	Spline Plaster Mtg Frame	Wall Mtg Frame
3/4" Border XG-UPI-6600-22-73	3/4" Border XG-UPI-6600-22-74	3/4" Border XG-UPI-6600-22-75

SERIES XG-6600 UP/UI PERFORMANCE DATA
MODEL XG-UP/UI-6650 — ONE SLOT

6" Inlet	2' Length	CFM	15	30	45	60	75	90	105
		Static Pressure	.010	.038	.086	.153	.240	.345	.470
		Horizontal Throw	1-3-9	6-9-18	9-13-23	12-18-27	15-21-30	18-23-33	20-25-35
		NC	<15	20	28	35	41	45	47
	4' Length	CFM	30	60	90	120	150	180	210
		Static Pressure	.016	.063	.142	.252	.394	.567	.772
		Horizontal Throw	2-4-7	5-7-15	7-11-21	10-15-24	12-18-27	15-21-30	17-23-32
		NC	<15	24	34	41	45	46	49
8" Inlet	2' Length	CFM	20	35	50	65	80	95	110
		Static Pressure	.018	.054	.110	.185	.281	.396	.531
		Horizontal Throw	3-6-12	7-10-20	10-15-24	13-19-28	16-22-31	19-24-34	21-26-36
		NC	<15	18	27	33	38	42	44
	4' Length	CFM	40	70	100	130	160	190	220
		Static Pressure	.018	.056	.115	.194	.294	.415	.556
		Horizontal Throw	3-5-10	6-9-17	8-12-22	11-16-25	13-20-28	16-22-31	18-23-33
		NC	<15	24	33	39	43	45	45
10" Inlet	2' Length	CFM	30	45	60	75	90	105	120
		Static Pressure	.056	.126	.225	.351	.505	.688	.899
		Horizontal Throw	6-9-18	9-13-23	12-18-27	15-21-30	18-23-33	20-25-35	22-27-38
		NC	<15	22	29	34	39	42	43
	4' Length	CFM	60	90	120	150	180	210	240
		Static Pressure	.036	.082	.146	.227	.328	.446	.582
		Horizontal Throw	5-7-15	7-11-21	10-15-22	12-18-27	15-21-30	17-23-32	20-24-35
		NC	19	27	34	40	45	48	51
12" Inlet	2' Length	CFM	45	60	75	90	105	120	135
		Static Pressure	.047	.083	.129	.186	.254	.331	.419
		Horizontal Throw	9-13-23	12-18-27	15-21-30	18-23-33	20-25-35	22-27-38	23-28-40
		NC	24	28	32	35	39	42	45
	4' Length	CFM	90	120	150	180	210	240	270
		Static Pressure	.098	.175	.273	.393	.535	.699	.884
		Horizontal Throw	7-11-21	10-15-24	12-18-27	15-21-30	17-23-32	20-24-35	21-26-37
		NC	23	30	36	41	45	48	51

SERIES XG-6600 UP/UI PERFORMANCE DATA
MODEL XG-UP/UI-6650 — TWO SLOT

6" Inlet	2' Length	CFM	20	40	60	80	100	120	140
		Static Pressure	.007	.028	.064	.114	.178	.256	.349
		Horizontal Throw	1-2-8	4-8-17	8-12-25	11-17-31	14-21-35	17-25-38	12-29-41
		NC	<15	15	25	32	38	43	46
	4' Length	CFM	30	60	90	120	150	180	210
		Static Pressure	.010	.041	.093	.166	.259	.373	.507
		Horizontal Throw	1-2-5	3-5-10	5-8-16	7-10-21	9-13-26	10-16-30	12-18-32
		NC	<15	<15	24	32	37	41	43
8" Inlet	2' Length	CFM	25	45	65	85	105	125	145
		Static Pressure	.007	.023	.049	.084	.128	.181	.244
		Horizontal Throw	1-3-10	5-9-19	9-14-27	12-18-32	15-22-35	17-26-39	20-29-42
		NC	<15	<15	23	29	35	39	43
	4' Length	CFM	50	90	130	170	210	250	290
		Static Pressure	.014	.045	.094	.161	.245	.348	.468
		Horizontal Throw	3-4-9	5-8-16	8-11-23	10-15-29	12-18-32	14-22-35	17-25-38
		NC	<15	20	29	36	41	45	46
10" Inlet	2' Length	CFM	35	55	75	95	115	135	156
		Static Pressure	.013	.032	.059	.095	.139	.191	.252
		Horizontal Throw	3-6-15	7-11-23	10-16-30	13-20-34	16-24-37	19-28-40	21-30-43
		NC	<15	17	23	29	34	38	41
	4' Length	CFM	70	110	150	190	230	270	310
		Static Pressure	.019	.047	.088	.142	.207	.286	.377
		Horizontal Throw	4-6-12	6-10-19	9-13-26	11-16-31	13-20-34	16-23-27	18-27-39
		NC	<15	21	29	35	40	43	45
12" Inlet	2' Length	CFM	50	70	90	110	130	150	170
		Static Pressure	.024	.047	.078	.117	.163	.217	.279
		Horizontal Throw	6-10-21	10-15-29	12-19-33	15-23-36	18-27-39	21-30-42	24-32-45
		NC	<15		17	21	24	28	31
	4' Length	CFM	100	140	180	220	260	300	340
		Static Pressure	.027	.053	.087	.130	.181	.241	.310
		Horizontal Throw	5-9-17	8-12-24	10-16-30	13-19-33	15-23-36	17-26-39	20-29-41
		NC	16	23	29	34	38	41	43

SERIES XG-6600 UP/UI PERFORMANCE DATA
MODEL XG-UP/UI-6650 — THREE SLOT

6" Inlet	2' Length	CFM	25	50	75	100	125	150	175
		Static Pressure	.008	.033	.073	.130	.203	.293	.398
		Horizontal Throw	1-2-7	3-7-17	7-13-25	11-17-34	14-21-39	17-25-42	20-30-46
		NC	<15	15	24	31	36	40	43
	4' Length	CFM	40	75	115	150	190	225	265
		Static Pressure	.015	.054	.127	.216	.347	.486	.674
		Horizontal Throw	1-2-6	4-5-11	5-8-16	7-11-21	8-13-27	11-16-32	12-19-36
		NC	<15	<15	23	29	36	40	44
8" Inlet	2' Length	CFM	35	55	80	105	130	155	180
		Static Pressure	.009	.022	.046	.079	.122	.173	.233
		Horizontal Throw	2-3-12	4-9-19	8-14-27	12-18-35	15-22-39	18-26-43	20-31-46
		NC	<15	<15	21	28	33	37	41
	4' Length	CFM	70	110	160	210	260	310	360
		Static Pressure	.021	.052	.109	.188	.289	.410	.553
		Horizontal Throw	3-5-10	5-8-16	8-11-23	10-15-30	12-18-36	15-22-39	17-25-42
		NC	<15	18	27	34	39	44	47
10" Inlet	2' Length	CFM	45	65	90	115	140	165	190
		Static Pressure	.011	.023	.044	.072	.106	.147	.195
		Horizontal Throw	3-6-15	5-11-22	10-15-31	13-20-37	16-24-41	19-28-44	21-32-48
		NC	<15	<15	21	27	32	36	39
	4' Length	CFM	90	130	180	230	280	330	380
		Static Pressure	.023	.048	.091	.149	.221	.307	.407
		Horizontal Throw	4-6-13	6-9-18	8-13-25	11-16-33	13-20-36	16-23-39	18-27-42
		NC	<15	20	27	33	38	42	45
12" Inlet	2' Length	CFM	65	85	110	135	160	185	210
		Static Pressure	.022	.038	.063	.095	.133	.178	.229
		Horizontal Throw	5-11-22	9-14-29	12-19-36	15-23-40	18-27-44	21-31-47	24-35-50
		NC	<15	16	20	23	26	29	32
	4' Length	CFM	130	170	220	270	320	370	420
		Static Pressure	.027	.046	.077	.117	.164	.219	.282
		Horizontal Throw	6-9-18	8-12-24	10-16-31	13-19-37	15-23-40	17-26-43	20-30-46
		NC	17	22	27	33	37	41	44

SERIES XG-6600 UP/UI PERFORMANCE DATA
MODEL XG-UP/UI-6650 — FOUR SLOT

6" Inlet	2' Length	CFM	40	65	90	115	140	165	190
		Static Pressure	.018	.047	.090	.147	.218	.302	.401
		Horizontal Throw	1-3-12	3-8-19	7-13-26	11-17-34	14-21-41	16-24-44	19-28-48
		NC	<15	16	24	30	36	39	42
	4' Length	CFM	60	100	<15	175	210	250	285
		Static Pressure	.031	.087	.159	.267	.385	.546	.709
		Horizontal Throw	1-3-7	4-6-12	6-8-17	7-11-21	9-13-26	10-15-31	12-17-35
		NC	<15	16	24	31	35	37	37
8" Inlet	2' Length	CFM	50	80	110	140	170	200	230
		Static Pressure	.014	.036	.069	.112	.164	.228	.301
		Horizontal Throw	2-5-15	5-12-24	10-16-32	14-21-41	17-25-45	20-29-49	23-34-53
		NC	<15	17	24	30	35	39	42
	4' Length	CFM	75	120	165	210	255	300	345
		Static Pressure	.022	.056	.107	.173	.255	.353	.467
		Horizontal Throw	2-5-9	5-7-15	7-10-20	9-13-26	10-16-31	12-18-37	14-21-42
		NC	<15	16	23	29	34	38	40
10" Inlet	2' Length	CFM	60	90	120	150	180	210	240
		Static Pressure	.014	.032	.056	.088	.127	.173	.226
		Horizontal Throw	3-7-18	7-13-26	12-18-35	15-22-42	18-26-46	21-31-50	24-35-54
		NC	<15	17	23	29	33	37	41
	4' Length	CFM	95	135	180	225	270	315	360
		Static Pressure	.021	.043	.077	.120	.174	.236	.308
		Horizontal Throw	4-6-12	6-8-17	7-11-22	9-14-28	11-17-33	13-19-38	15-22-41
		NC	<15	16	23	28	33	36	39
12" Inlet	2' Length	CFM	80	120	160	200	240	280	320
		Static Pressure	.018	.041	.073	.114	.164	.223	.292
		Horizontal Throw	5-12-24	12-18-35	16-24-44	20-29-49	24-35-54	27-41-58	31-44-62
		NC	<15	<15	20	24	28	32	35
	4' Length	CFM	120	180	240	300	360	420	480
		Static Pressure	.018	.040	.071	.111	.159	.217	.283
		Horizontal Throw	5-7-15	7-11-22	10-15-29	12-18-37	15-22-42	17-26-46	20-29-49
		NC	<15	19	25	31	35	39	42

SERIES XG-6600 UP/UI PERFORMANCE DATA
MODEL XG-UP/UI-6675 — ONE SLOT

6" Inlet	2' Length	CFM	20	35	50	65	80	95	110
		Static Pressure	.014	.043	.088	.148	.224	.316	.424
		Horizontal Throw	1-3-10	4-8-17	8-12-24	10-16-28	13-19-31	15-23-34	10-26-36
		NC	<15	18	26	32	37	41	45
	4' Length	CFM	30	55	75	97.5	120	145	165
		Static Pressure	.009	.026	.054	.091	.137	.194	.259
		Horizontal Throw	2-3-6	4-5-11	5-8-15	7-10-20	8-12-24	10-14-27	11-17-29
		NC	<15	18	25	30	36	40	44
8" Inlet	2' Length	CFM	25	40	55	70	85	100	115
		Static Pressure	.036	.093	.175	.284	.419	.580	.767
		Horizontal Throw	2-5-12	6-10-19	9-13-26	11-17-29	14-20-32	16-24-35	18-26-37
		NC	<15	17	24	30	35	39	41
	4' Length	CFM	40	60	85	105	130	150	175
		Static Pressure	.014	.032	.065	.099	.152	.202	.275
		Horizontal Throw	3-4-8	4-6-12	6-9-17	7-11-21	9-13-25	10-15-27	12-18-30
		NC	<15	17	24	29	34	38	42
10" Inlet	2' Length	CFM	35	45	55	65	75	85	95
		Static Pressure	.085	.140	.210	.293	.390	.501	.625
		Horizontal Throw	4-8-17	7-11-22	9-13-26	10-16-28	12-18-30	14-20-32	15-23-34
		NC	<15	17	22	26	30	33	35
	4' Length	CFM	55	70	85	100	115	130	145
		Static Pressure	.028	.045	.066	.092	.122	.155	.193
		Horizontal Throw	4-6-11	5-7-14	6-9-17	7-10-20	8-12-23	9-13-25	10-15-27
		NC	<15	17	21	25	28	31	34
12" Inlet	2' Length	CFM	65	85	110	135	160	185	210
		Static Pressure	.022	.038	.063	.095	.133	.178	.229
		Horizontal Throw	5-11-22	9-14-29	12-19-36	15-23-40	18-27-44	21-31-47	24-35-50
		NC	<15	16	20	23	26	29	32
	4' Length	CFM	130	170	220	270	320	370	420
		Static Pressure	.027	.046	.077	.117	.164	.219	.282
		Horizontal Throw	6-9-18	8-12-24	10-16-31	13-19-27	15-23-40	17-26-43	20-30-46
		NC	17	22	27	33	37	41	44

SERIES XG-6600 UP/UI PERFORMANCE DATA
MODEL XG-UP/UI-6675 — TWO SLOT

6" Inlet	2' Length	CFM	30	55	80	105	130	155	180
		Static Pressure	.009	.029	.061	.105	.161	.228	.308
		Horizontal Throw	1-3-10	4-9-19	8-14-27	12-18-35	15-22-39	18-26-43	20-31-46
		NC	<15	18	27	33	39	42	44
	4' Length	CFM	45	85	120	160	195	235	270
		Static Pressure	.009	.033	.065	.116	.172	.250	.330
		Horizontal Throw	1-3-6	4-6-12	6-8-17	8-11-23	9-14-28	11-17-33	13-19-37
		NC	<15	18	25	33	37	41	43
8" Inlet	2' Length	CFM	45	65	85	105	125	145	165
		Static Pressure	.007	.023	.049	.084	.128	.181	.244
		Horizontal Throw	1-3-10	5-9-19	9-14-27	12-18-32	15-22-35	17-26-39	20-29-42
		NC	<15	<15	23	29	35	39	43
	4' Length	CFM	70	100	130	160	190	220	250
		Static Pressure	.014	.028	.047	.071	.100	.135	.174
		Horizontal Throw	3-5-10	5-7-14	6-9-18	8-11-23	9-13-27	10-16-31	12-18-35
		NC	<15	17	23	28	33	37	39
10" Inlet	2' Length	CFM	50	70	90	110	130	150	170
		Static Pressure	.023	.045	.074	.111	.155	.207	.265
		Horizontal Throw	3-7-17	6-12-24	10-15-31	12-19-36	15-22-39	17-25-42	19-29-45
		NC	<15	17	22	27	32	35	38
	4' Length	CFM	75	105	135	165	195	225	255
		Static Pressure	.025	.050	.082	.123	.171	.228	.293
		Horizontal Throw	4-5-11	5-7-15	6-10-19	8-12-23	9-14-28	11-16-32	12-18-36
		NC	<15	16	21	26	30	34	37
12" Inlet	2' Length	CFM	73	95	120	145	170	195	220
		Static Pressure	.021	.036	.058	.084	.116	.152	.194
		Horizontal Throw	7-12-25	11-16-32	14-20-38	16-25-42	19-29-45	22-33-48	25-36-51
		NC	<15	18	21	25	28	31	34
	4' Length	CFM	110	145	180	220	255	295	330
		Static Pressure	.025	.044	.068	.102	.137	.183	.229
		Horizontal Throw	5-8-16	7-10-21	8-13-25	10-16-31	12-18-36	14-21-38	16-23-41
		NC	<15	20	24	29	33	36	39

SERIES XG-6600 UP/UI PERFORMANCE DATA
MODEL XG-UP/UI-6675 — THREE SLOT

6" Inlet	2' Length	CFM	45	70	95	120	145	170	195
		Static Pressure	.012	.029	.053	.084	.122	.168	.221
		Horizontal Throw	1-3-12	3-8-19	6-13-26	10-17-33	13-20-40	16-24-45	18-27-48
		NC	<15	17	24	30	35	39	41
	4' Length	CFM	70	105	145	180	220	255	295
		Static Pressure	.017	.037	.071	.110	.165	.221	.296
		Horizontal Throw	2-4-8	4-6-12	6-8-17	7-10-21	8-13-25	10-15-29	11-17-34
		NC	<15	17	24	29	34	38	41
8" Inlet	2' Length	CFM	55	85	115	145	175	205	235
		Static Pressure	.012	.029	.054	.082	.124	.171	.224
		Horizontal Throw	2-5-15	5-11-24	9-16-32	13-20-40	16-24-46	19-28-50	22-33-53
		NC	<15	18	25	30	35	39	42
	4' Length	CFM	85	130	175	220	265	310	355
		Static Pressure	.013	.031	.057	.090	.130	.178	.233
		Horizontal Throw	2-5-10	5-8-15	7-10-20	8-13-25	10-15-31	12-18-36	14-20-41
		NC	<15	18	24	30	34	39	42
10" Inlet	2' Length	CFM	65	100	130	160	190	220	250
		Static Pressure	.015	.037	.062	.094	.132	.177	.229
		Horizontal Throw	3-7-18	7-14-28	12-18-36	15-22-44	18-26-48	20-30-51	23-35-55
		NC	<15	19	25	30	34	38	41
	4' Length	CFM	100	150	195	240	285	330	375
		Static Pressure	.018	.041	.070	.105	.149	.199	.257
		Horizontal Throw	3-6-12	6-9-17	8-11-23	9-14-28	11-16-33	13-19-38	14-22-42
		NC	<15	18	24	29	34	37	40
12" Inlet	2' Length	CFM	85	120	155	190	225	260	295
		Static Pressure	.022	.043	.072	.108	.152	.203	.261
		Horizontal Throw	5-11-24	10-17-33	14-21-43	18-26-48	21-31-52	24-36-56	27-41-59
		NC	<15	<15	18	22	26	30	33
	4' Length	CFM	130	180	235	285	340	390	445
		Static Pressure	.016	.031	.053	.078	.111	.146	.190
		Horizontal Throw	5-8-15	7-10-21	9-14-27	11-16-33	13-20-29	15-23-44	17-26-47
		NC	<15	18	24	29	33	37	39

SERIES XG-6600 UP/UI PERFORMANCE DATA
MODEL XG-UP/UI-6675 — FOUR SLOT

6" Inlet	2' Length	CFM	50	80	110	140	170	200	230
		Static Pressure	.011	.029	.055	.089	.131	.181	.239
		Horizontal Throw	1-3-10	3-6-19	5-12-26	9-17-34	13-20-41	16-24-48	18-28-53
		NC	<15	16	23	30	35	39	43
	4' Length	CFM	75	120	165	210	255	300	345
		Static Pressure	.016	.042	.079	.129	.190	.263	.348
		Horizontal Throw	1-3-8	3-6-12	6-8-17	7-11-21	9-13-26	10-15-30	12-17-35
		NC	<15	16	23	29	34	37	39
8" Inlet	2' Length	CFM	70	100	130	160	190	220	250
		Static Pressure	.016	.042	.079	.129	.190	.263	.348
		Horizontal Throw	1-3-8	3-6-12	6-8-17	7-11-21	9-13-26	10-15-30	12-17-35
		NC	<15	18	24	29	33	37	39
	4' Length	CFM	105	150	195	240	285	330	375
		Static Pressure	.017	.034	.057	.086	.122	.163	.211
		Horizontal Throw	2-5-11	5-8-15	7-10-20	8-12-24	10-14-29	11-17-33	13-19-38
		NC	<15	17	23	28	32	36	39
10" Inlet	2' Length	CFM	80	110	140	170	200	230	260
		Static Pressure	.014	.027	.044	.065	.090	.119	.152
		Horizontal Throw	3-6-19	5-12-26	8-1-34	13-20-41	16-24-48	18-28-53	21-31-56
		NC	<15	17	23	27	32	35	38
	4' Length	CFM	125	165	210	255	300	345	390
		Static Pressure	.017	.030	.049	.072	.099	.131	.167
		Horizontal Throw	3-6-13	6-8-17	7-11-21	9-13-26	10-15-20	12-17-35	13-20-39
		NC	<15	16	22	26	30	34	37
12" Inlet	2' Length	CFM	100	140	180	220	260	300	340
		Static Pressure	.007	.014	.023	.034	.047	.063	.081
		Horizontal Throw	4-10-24	9-17-34	14-22-43	18-26-51	21-31-56	24-36-60	27-41-64
		NC	<15	16	20	23	26	29	32
	4' Length	CFM	150	210	270	330	390	450	510
		Static Pressure	.014	.028	.046	.069	.096	.128	.164
		Horizontal Throw	5-8-15	7-11-21	9-14-27	11-17-33	13-20-39	15-23-45	17-26-50
		NC	<15	19	24	28	32	36	39

SERIES XG-6600 UP/UI PERFORMANCE DATA
MODEL XG-UP/UI-6610 — ONE SLOT

6" Inlet	2' Length	CFM	30	45	60	75	90	105	120
		Static Pressure	.013	.029	.052	.082	.117	.160	.209
		Horizontal Throw	2-5-12	5-9-19	8-12-25	10-16-30	12-19-33	15-22-35	17-25-38
		NC	16	23	30	35	40	44	46
	4' Length	CFM	45	70	90	115	135	160	180
		Static Pressure	.012	.029	.048	.078	.107	.151	.191
		Horizontal Throw	2-4-8	4-6-12	5-8-16	7-10-20	8-12-23	9-14-28	10-16-30
		NC	16	23	29	34	39	43	46
8" Inlet	2' Length	CFM	40	50	65	80	95	110	125
		Static Pressure	.032	.051	.085	.129	.182	.244	.316
		Horizontal Throw	4-8-17	6-10-21	9-14-27	11-17-31	13-20-34	15-23-36	17-26-39
		NC	17	22	28	33	38	40	42
	4' Length	CFM	60	75	100	120	145	165	190
		Static Pressure	.017	.026	.047	.068	.099	.128	.170
		Horizontal Throw	3-5-10	4-6-13	6-9-17	7-10-21	8-13-25	10-14-29	11-16-31
		NC	17	21	28	32	37	40	43
10" Inlet	2' Length	CFM	40	55	70	85	100	115	130
		Static Pressure	.044	.083	.134	.197	.273	.361	.461
		Horizontal Throw	4-8-17	7-11-23	10-15-29	12-18-32	14-21-35	16-24-37	18-27-39
		NC	16	24	30	35	38	39	39
	4' Length	CFM	60	85	105	130	150	175	195
		Static Pressure	.016	.033	.050	.076	.102	.138	.172
		Horizontal Throw	3-5-10	5-7-15	6-9-18	8-11-23	9-13-26	10-15-30	11-17-31
		NC	<15	21	26	31	35	30	41
12" Inlet	2' Length	CFM	48	65	80	95	110	125	140
		Static Pressure	.018	.033	.050	.071	.095	.123	.154
		Horizontal Throw	5-10-20	9-14-27	11-17-31	13-20-34	15-23-36	17-26-39	19-29-41
		NC	<15	<15	19	23	26	29	32
	4' Length	CFM	70	100	120	145	165	190	210
		Static Pressure	.029	.058	.084	.123	.159	.211	.258
		Horizontal Throw	4-6-12	6-9-17	7-10-21	8-13-25	10-14-29	11-16-31	12-18-32
		NC	<15	21	25	30	33	35	37

SERIES XG-6600 UP/UI PERFORMANCE DATA
MODEL XG-UP/UI-6610 — TWO SLOT

6" Inlet	2' Length	CFM	30	55	80	105	130	155	180
		Static Pressure	.006	.020	.042	.072	.110	.156	.211
		Horizontal Throw	1-2-7	2-6-16	5-12-24	9-15-31	13-19-38	15-23-43	18-26-46
		NC	<15	18	27	33	39	42	44
	4' Length	CFM	45	85	120	160	15	235	270
		Static Pressure	.009	.031	.061	.109	.162	.235	.310
		Horizontal Throw	1-2-6	3-5-10	5-7-15	7-10-20	8-12-24	10-14-29	11-17-33
		NC	<15	18	25	33	37	41	43
8" Inlet	2' Length	CFM	45	65	85	105	125	145	165
		Static Pressure	.017	.035	.059	.090	.128	.172	.223
		Horizontal Throw	2-4-13	3-8-19	6-12-25	9-15-31	12-18-37	14-21-42	16-24-44
		NC	<15	18	24	29	33	37	40
	4' Length	CFM	70	100	130	160	190	220	250
		Static Pressure	.014	.028	.047	.071	.100	.135	.174
		Horizontal Throw	2-4-9	4-6-12	5-8-16	7-10-20	8-12-23	9-13-27	10-15-31
		NC	<15	17	23	28	33	37	39
10" Inlet	2' Length	CFM	50	70	90	110	130	150	170
		Static Pressure	.023	.045	.074	.111	.155	.207	.265
		Horizontal Throw	2-5-15	4-9-21	7-13-26	10-16-232	13-19-38	15-22-42	17-25-45
		NC	<15	17	22	27	32	35	38
	4' Length	CFM	75	105	135	165	195	225	255
		Static Pressure	.012	.024	.039	.059	.082	.109	.140
		Horizontal Throw	2-5-9	4-6-13	6-8-17	7-10-20	8-12-24	9-14-28	10-16-31
		NC	<15	16	21	26	30	34	37
12" Inlet	2' Length	CFM	60	90	120	150	180	210	240
		Static Pressure	.014	.032	.058	.090	.130	.176	.230
		Horizontal Throw	3-7-18	7-13-26	12-18-35	15-22-42	18-26-46	21-31-50	24-35-54
		NC	<15	17	21	26	29	33	36
	4' Length	CFM	90	135	180	225	270	315	360
		Static Pressure	.017	.038	.068	.106	.153	.208	.272
		Horizontal Throw	3-6-11	6-8-17	7-11-22	9-14-28	11-17-33	13-19-39	15-22-42
		NC	<15	18	24	30	34	38	41

SERIES XG-6600 UP/UI PERFORMANCE DATA
MODEL XG-UP/UI-6610 — THREE SLOT

6" Inlet	2' Length	CFM	40	65	90	115	140	165	190
		Static Pressure	.007	.019	.036	.058	.087	.120	.160
		Horizontal Throw	1-2-6	2-4-16	4-8-22	6-13-28	9-17-34	12-20-40	15-23-46
		NC	<15	16	23	29	34	38	41
	4' Length	CFM	60	100	135	175	210	250	285
		Static Pressure	.011	.030	.055	.093	.134	.190	.247
		Horizontal Throw	1-2-6	2-5-10	4-7-44	6-9-18	7-11-21	8-13-25	10-14-29
		NC	<15	16	22	28	33	37	40
8" Inlet	2' Length	CFM	50	80	110	140	170	200	230
		Static Pressure	.010	.026	.049	.080	.117	.162	.215
		Horizontal Throw	1-3-10	3-6-19	5-12-26	9-17-34	13-20-41	16-24-48	18-28-53
		NC	<15	17	24	29	34	38	42
	4' Length	CFM	75	120	165	210	255	300	345
		Static Pressure	.008	.022	.041	.066	.098	.135	.179
		Horizontal Throw	1-3-8	3-6-12	6-8-17	7-11-21	9-13-26	10-15-30	12-17-35
		NC	<15	17	23	28	33	38	41
10" Inlet	2' Length	CFM	60	110	140	170	200	230	260
		Static Pressure	.008	.028	.045	.056	.092	.122	.155
		Horizontal Throw	2-4-14	5-12-26	9-17-34	13-20-41	16-24-48	18-28-53	21-31-56
		NC	<15	21	27	32	36	39	42
	4' Length	CFM	90	165	210	255	300	345	390
		Static Pressure	.008	.026	.042	.062	.086	.113	.145
		Horizontal Throw	2-4-9	6-8-17	7-11-21	9-13-26	10-15-30	12-17-35	13-20-39
		NC	<15	20	26	31	35	38	40
12" Inlet	2' Length	CFM	80	120	160	200	240	280	320
		Static Pressure	.010	.022	.038	.060	.086	.118	.154
		Horizontal Throw	3-6-19	6-14-29	11-19-38	16-24-48	19-29-54	22-34-58	26-38-62
		NC	<15	<15	19	23	28	31	35
	4' Length	CFM	120	180	240	300	360	420	480
		Static Pressure	.009	.021	.038	.059	.084	.115	.150
		Horizontal Throw	3-6-12	6-9-18	8-12-24	10-15-30	12-18-36	14-1-42	16-24-48
		NC	<15	18	25	30	35	38	41

SERIES XG-6600 UP/UI PERFORMANCE DATA
MODEL XG-UP/UI-6610 — FOUR SLOT

6" Inlet	2' Length	CFM	50	80	110	140	170	200	230
		Static Pressure	.009	.022	.042	.069	.101	.140	.185
		Horizontal Throw	1-2-6	2-4-17	3-8-23	6-13-29	8-18-35	12-21-42	15-24-48
		NC	<15	16	23	30	35	39	43
	4' Length	CFM	75	120	165	210	255	300	345
		Static Pressure	.012	.032	.060	.098	.144	.200	.264
		Horizontal Throw	1-2-6	2-5-10	4-7-14	6-9-18	7-11-22	9-13-26	10-15-30
		NC	<15	16	23	29	34	37	39
8" Inlet	2' Length	CFM	70	100	130	160	190	220	250
		Static Pressure	.017	.035	.059	.090	.126	.169	.219
		Horizontal Throw	1-3-13	3-6-21	5-11-27	7-17-33	10-20-39	14-23-46	17-26-52
		NC	<15	18	24	29	33	37	39
	4' Length	CFM	105	150	195	240	285	330	375
		Static Pressure	.013	.027	.045	.068	.096	.129	.166
		Horizontal Throw	2-4-9	3-6-13	5-8-17	7-10-21	8-12-25	10-14-29	11-16-32
		NC	<15	19	26	32	36	40	42
10" Inlet	2' Length	CFM	80	120	160	200	240	280	320
		Static Pressure	.010	.022	.038	.060	.086	.118	.154
		Horizontal Throw	2-4-17	4-9-25	7-17-33	12-21-42	17-25-50	19-29-58	22-33-62
		NC	<15	19	26	32	36	40	42
	4' Length	CFM	125	180	240	300	360	420	480
		Static Pressure	.012	.025	.044	.069	.100	.136	.178
		Horizontal Throw	2-5-11	5-8-16	7-10-21	9-13-26	10-16-31	12-18-36	14-21-42
		NC	<15	18	25	30	35	39	42
12" Inlet	2' Length	CFM	90	140	190	240	290	340	390
		Static Pressure	.007	.017	.031	.050	.073	.101	.132
		Horizontal Throw	2-5-19	6-13-29	10-20-39	17-25-50	20-30-59	24-35-64	27-41-68
		NC	<15	16	21	25	28	32	35
	4' Length	CFM	135	210	285	360	435	510	585
		Static Pressure	.008	.020	.038	.060	.088	.120	.158
		Horizontal Throw	3-6-12	6-9-18	8-12-25	10-16-31	13-19-38	15-22-44	17-25-51
		NC	<15	19	25	30	35	39	42

SERIES XG-6600 UP/UI PERFORMANCE DATA
MODEL XG-UP/UI-6615— ONE SLOT

6" Inlet	2' Length	CFM	40	55	70	85	100	115	130
		Static Pressure	.023	.044	.071	.105	.145	.192	.245
		Horizontal Throw	2-5-14	4-9-19	6-12-24	9-14-29	11-17-34	13-20-37	15-22-39
		NC	21	28	34	39	43	46	48
	4' Length	CFM	60	85	105	130	150	175	195
		Static Pressure	.021	.043	.065	.100	.133	.180	.224
		Horizontal Throw	2-4-8	4-6-12	5-7-15	6-9-18	7-11-21	8-12-25	9-14-28
		NC	20	27	32	38	41	45	48
8" Inlet	2' Length	CFM	50	60	75	90	105	120	135
		Static Pressure	.051	.073	.114	.164	.223	.291	.368
		Horizontal Throw	3-7-17	5-10-20	7-13-25	10-15-31	12-18-35	14-20-38	15-23-40
		NC	22	26	32	36	40	41	42
	4' Length	CFM	75	90	115	135	160	180	205
		Static Pressure	.026	.038	.062	.086	.120	.152	.197
		Horizontal Throw	4-5-11	4-6-13	5-8-16	6-10-19	8-11-23	8-13-25	10-14-29
		NC	21	25	31	35	40	42	45
10" Inlet	2' Length	CFM	50	65	80	95	110	125	140
		Static Pressure	.068	.115	.175	.246	.330	.427	.535
		Horizontal Throw	3-7-17	5-11-22	8-14-27	11-16-32	12-9-36	14-21-39	16-24-41
		NC	21	28	33	37	39	39	38
	4' Length	CFM	75	100	120	145	165	190	210
		Static Pressure	.025	.045	.065	.095	.123	.163	.199
		Horizontal Throw	4-5-11	5-7-14	6-8-17	7-10-21	8-12-23	9-13-27	10-15-30
		NC	18	25	29	34	37	40	42
12" Inlet	2' Length	CFM	58	75	90	105	120	135	150
		Static Pressure	.026	.044	.064	.086	.113	.143	.176
		Horizontal Throw	4-9-20	7-13-25	10-15-31	12-18-35	14-20-38	15-23-40	17-25-42
		NC	<15	17	21	25	28	31	34
	4' Length	CFM	85	115	135	160	180	205	225
		Static Pressure	.042	.077	.106	.150	.189	.245	.296
		Horizontal Throw	4-6-12	5-8-16	6-10-19	8-11-23	8-13-25	10-14-29	11-16-32
		NC	17	24	28	32	35	37	38

SERIES XG-6600 UP/UI PERFORMANCE DATA
MODEL XG-UP/UI-6615— TWO SLOT

6" Inlet	2' Length	CFM	60	85	110	135	160	185	210
		Static Pressure	.023	.047	.079	.118	.166	.222	.287
		Horizontal Throw	2-4-14	3-7-20	5-12-26	8-16-32	11-19-38	15-22-44	17-25-50
		NC	20	28	35	39	43	44	45
	4' Length	CFM	90	130	165	205	240	280	315
		Static Pressure	.034	.072	.116	.179	.245	.333	.422
		Horizontal Throw	2-4-9	4-7-13	6-8-17	7-10-21	8-12-24	9-14-28	11-16-32
		NC	19	27	33	39	42	43	43
8" Inlet	2' Length	CFM	75	95	115	135	155	175	195
		Static Pressure	.046	.074	.108	.149	.197	.251	.312
		Horizontal Throw	3-6-18	4-9-23	6-13-28	8-16-32	11-19-37	14-21-42	16-23-47
		NC	21	27	31	35	39	41	43
	4' Length	CFM	115	145	175	205	235	265	295
		Static Pressure	.037	.058	.085	.117	.154	.195	.242
		Horizontal Throw	3-6-12	5-7-15	6-9-18	7-10-21	8-12-24	9-13-27	10-15-30
		NC	20	26	31	35	38	41	42
10" Inlet	2' Length	CFM	80	100	120	140	160	180	200
		Static Pressure	.059	.092	.132	.180	.235	.297	.367
		Horizontal Throw	3-6-19	4-10-24	6-14-29	9-17-34	11-19-38	14-22-43	16-24-48
		NC	20	25	30	34	37	40	42
	4' Length	CFM	120	150	180	210	240	270	300
		Static Pressure	.031	.048	.070	.095	.124	.157	.194
		Horizontal Throw	3-6-12	5-8-15	6-9-18	7-11-21	8-12-24	9-14-27	10-15-30
		NC	19	24	28	32	35	38	40
12" Inlet	2' Length	CFM	90	120	150	180	210	240	270
		Static Pressure	.032	.058	.090	.130	.176	.230	.292
		Horizontal Throw	4-8-22	6-14-29	10-18-36	14-22-43	17-25-50	19-29-54	22-32-57
		NC	17	21	26	29	33	36	39
	4' Length	CFM	135	180	225	270	315	360	405
		Static Pressure	.038	.068	.106	.153	.208	.272	.344
		Horizontal Throw	4-7-14	6-9-18	8-11-23	9-14-27	11-16-32	12-18-36	14-20-41
		NC	18	24	30	34	38	41	44

SERIES XG-6600 UP/UI PERFORMANCE DATA
MODEL XG-UP/UI-6615 — THREE SLOT

6" Inlet	2' Length	CFM	75	105	135	165	195	225	255
		Static Pressure	.025	.049	.081	.120	.168	.224	.287
		Horizontal Throw	1-3-12	3-6-21	4-10-26	7-15-32	9-19-38	12-22-44	16-25-50
		NC	19	27	33	38	41	44	44
	4' Length	CFM	115	160	205	250	295	340	385
		Static Pressure	.040	.078	.128	.190	.265	.351	.451
		Horizontal Throw	2-4-9	3-7-13	5-8-17	7-10-20	8-12-24	9-14-28	10-16-31
		NC	18	26	32	37	41	44	45
8" Inlet	2' Length	CFM	85	115	145	175	205	235	265
		Static Pressure	.029	.054	.085	.124	.171	.224	.285
		Horizontal Throw	2-4-16	3-7-23	5-11-28	7-17-34	10-20-40	13-23-46	17-26-52
		NC	18	25	30	35	39	42	44
	4' Length	CFM	130	175	220	265	310	355	400
		Static Pressure	.025	.046	.073	.105	.144	.189	.240
		Horizontal Throw	2-5-11	4-7-14	6-9-18	7-11-22	8-13-25	10-14-29	11-16-33
		NC	18	24	30	34	39	42	45
10" Inlet	2' Length	CFM	95	145	175	205	235	265	295
		Static Pressure	.021	.048	.070	.097	.127	.162	.200
		Horizontal Throw	2-5-19	5-11-28	7-17-34	10-20-40	13-23-46	17-26-52	19-29-58
		NC	18	28	32	36	40	42	44
	4' Length	CFM	145	220	265	310	355	400	445
		Static Pressure	.020	.046	.067	.092	.120	.152	.189
		Horizontal Throw	3-6-12	6-9-18	7-11-22	8-13-25	10-14-29	11-16-33	12-18-36
		NC	17	27	32	36	39	41	42
12" Inlet	2' Length	CFM	115	155	195	235	275	315	355
		Static Pressure	.020	.036	.057	.083	.113	.149	.189
		Horizontal Throw	3-7-23	6-13-30	9-19-38	13-23-46	18-27-54	21-31-61	23-35-65
		NC	<15	18	23	27	31	34	37
	4' Length	CFM	175	235	295	355	415	475	535
		Static Pressure	.020	.036	.057	.082	.112	.147	.187
		Horizontal Throw	4-7-14	6-10-19	8-12-24	10-14-29	11-17-34	13-19-39	15-22-44
		NC	18	24	30	34	38	41	42

SERIES XG-6600 UP/UI PERFORMANCE DATA
MODEL XG-UP/UI-6615 — FOUR SLOT

6" Inlet	2' Length	CFM	90	120	150	180	210	240	270
		Static Pressure	.028	.050	.079	.113	.154	.202	.255
		Horizontal Throw	1-3-11	2-5-20	4-8-25	5-11-31	7-16-36	9-20-41	11-23-46
		NC	19	26	31	36	40	44	46
	4' Length	CFM	135	180	225	270	315	360	405
		Static Pressure	.040	.072	.112	.162	.220	.288	.364
		Horizontal Throw	1-3-10	3-6-13	4-8-16	6-10-19	7-11-22	8-13-25	10-14-29
		NC	18	25	31	35	38	40	40
8" Inlet	2' Length	CFM	110	140	170	200	230	260	290
		Static Pressure	.042	.069	.101	.140	.185	.237	.295
		Horizontal Throw	2-4-17	3-7-24	5-10-29	6-14-34	8-19-39	11-22-44	13-25-49
		NC	20	26	30	34	38	40	42
	4' Length	CFM	165	210	255	300	345	390	435
		Static Pressure	.032	.052	.077	.106	.140	.179	.223
		Horizontal Throw	2-5-12	3-7-15	5-9-18	7-11-21	8-12-24	9-14-28	10-15-31
		NC	19	24	29	33	37	40	42
10" Inlet	2' Length	CFM	120	160	200	240	280	320	360
		Static Pressure	.022	.038	.060	.086	.118	.154	.194
		Horizontal Throw	2-5-20	4-9-27	6-14-34	9-20-41	12-24-48	16-27-54	20-31-61
		NC	19	26	32	36	40	42	44
	4' Length	CFM	185	240	300	360	420	480	540
		Static Pressure	.026	.044	.069	.100	.136	.178	.225
		Horizontal Throw	3-6-13	5-8-17	7-11-21	8-13-25	10-15-30	11-17-34	13-19-38
		NC	19	25	30	35	39	42	44
12" Inlet	2' Length	CFM	130	180	230	280	330	380	430
		Static Pressure	.015	.028	.046	.068	.095	.126	.161
		Horizontal Throw	3-6-22	5-11-31	8-19-39	12-24-48	17-28-56	21-32-64	24-36-72
		NC	15	20	24	28	31	35	38
	4' Length	CFM	195	270	345	420	495	570	645
		Static Pressure	.018	.034	.055	.082	.113	.150	.193
		Horizontal Throw	3-7-14	6-10-19	8-12-24	10-15-30	12-18-35	13-20-40	15-23-46
		NC	18	24	29	34	38	42	45

PERFORMANCE NOTES FOR SERIES XG-UP/UIP 6600

All data is tested in accordance with ANSI/ASHRAE 70-2006.

DEFINITION OF UNITS

1. On units without XG-UP/UIP plenums, pressure drop reported is across the diffuser element only. The field supply plenum pressure drop should be included when determining system fan requirements. A good approximation of the static pressure requirements can be calculated by adding the velocity pressure through the plenum inlet to the diffuser section pressure drop.
2. NC is based on a 4 ft. section of diffuser. The following table should be used to calculate sound levels for lengths other than 4 ft.
3. To correct throws for lengths other than the 4 ft. lengths used in determining catalog performance, throws should be adjusted per the following table:

NC Correction for Length			
Length (feet)	2	4	6
NC Correction	-2	0	2
Throw Correction Multiplier for Length			
Length (feet)	2	4	8
Throw Correction	-7	1	1.2

4. All pressures are in inches of water.
5. Isothermal throws are given for terminal velocities of 150, 100 and 50 fpm, based upon 4 ft. section.
6. Vertical throw values are based on a 50 fpm terminal velocity.
7. For Vertical supply subtract one NC.
8. For Returns minus pattern controllers, deduct 12 NC.
9. Throw values are based on a One-Way discharge from the slot. For Two-Way discharge, throw is based upon the number and size of the slots throwing in each direction, with the total supply airflow split equally between all slots in the unit.
10. Data was collected in accordance to ASHRAE standard 70-2006 Method of Testing for rating the performance of air outlets and inlets.

MODEL XG-6610SP



Air outlets shall be model XG-6610 (supply) or XG-6610SPR (return) linear slot diffusers manufactured by GREENHECK.

Units shall be constructed of heavy-gauge extruded aluminum. The units shall be the size and quantity as outlined in the plans and specifications. Units shall be available with 1" slot widths.

For supply linear slot diffusers, the pattern controller shall be curved, aerodynamically shaped, capable of adjustment from the face of the diffuser. The pattern controller shall allow adjustment from vertical to horizontal patterns as well as damper the volume through the face of the diffuser. Pattern controllers shall be aluminum construction. Steel pattern controllers are not acceptable.

For return linear slot diffusers, the unit will be provided without pattern controllers to minimize pressure drop and noise. Linear slot diffusers shall be available in one-piece sections up to 6 ft. Units shall be available with one to four slots.

Supply units shall be furnished with the face white and the pattern controller black.

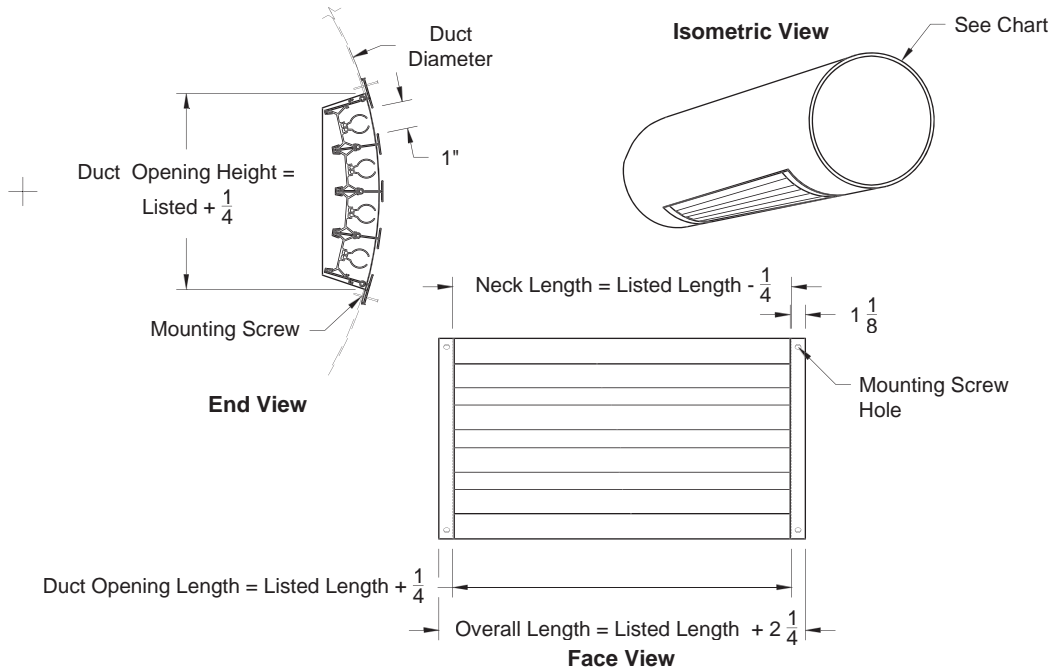
Performance Specification

The manufacturer shall provide published performance data. Data shall be tested in accordance to ANSI/ASHRAE Standard 70-2006

MODEL XG-6610SP-11-1

Model: XG-6610 SP-11-1 Linear Slot Diffuser - 1" Slot Width - Flush Surface Mount - Supply

XG-6610 SP-11-1 - Flush Surface Mount



Available only in 1" Slot Width

Pipe Diameter	Duct Cut Out Opening			
	1 Slot	2 Slot	3 Slot	4 Slot
10	2 1/2	4 1/4	6	N/A
12, 14	2 1/2	4 1/4	6	N/A
16	2 1/2	4 1/4	6	8
18, 20, 22	N/A	4 1/8	6	7.875
24, 26, 28	N/A	4 1/8	6	7 3/4
30	N/A	4 1/8	6	7 3/4

1. Available Finishes

- Standard Finish:
 02 Satin Silver
 03 Black
 20 White Frame with Black Pattern Controller
 21 Clear Anodized with Black Pattern Controllers
 Optional Finish
 28 Custom Color/ Setup

2. Available Accessories

3. Available Options

4. Construction Details

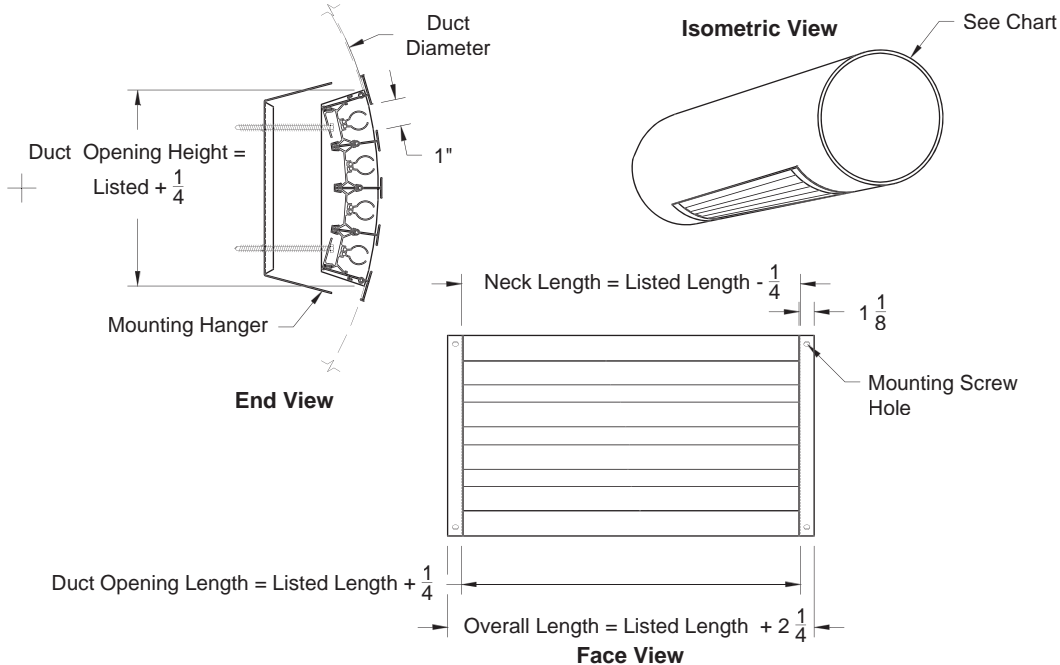
- Sizes available in only 1-4 slots
- Slot width 1" (6610)
- Longest angle section is 96 inches
- No continuous runs available
- Available in Listed Sizes Only

All Dimensions $\pm 1/16"$

MODEL XG-6610SP-12-1

Model: XG-6610 SP-12-1 Linear Slot Diffuser - 1" Slot Width - Concealed Mount - Supply

XG-6610 SP-12-1 - Concealed Mount



Available only in 1" Slot Width				
Pipe Diameter	Duct Cut Out Opening			
	1 Slot	2 Slot	3 Slot	4 Slot
10	2 1/2	4 1/4	6	N/A
12, 14	2 1/2	4 1/4	6	N/A
16	2 1/2	4 1/4	6	8
18, 20, 22	N/A	4 1/8	6	7.875
24, 26, 28	N/A	4 1/8	6	7 3/4
30	N/A	4 1/8	6	7 3/4

1. Available Finishes

- Standard Finish:
- 02 Satin Silver
 - 03 Black
 - 20 White Frame with Black Pattern Controller
 - 21 Clear Anodized with Black Pattern Controllers
- Optional Finish
- 28 Custom Color/ Setup

2. Available Accessories

3. Available Options

4. Construction Details

- Sizes available in only 1-4 slots
- Slot width 1" (6610)
- Longest angle section is 96 inches
- No continuous runs available
- Available in Listed Sizes Only

All Dimensions $\pm 1/16"$

XG-6610 MODEL NUMBER SPECIFICATION
MODEL XG-6610SP/XG-6610RSP

Model #	Available Frame Styles	Pipe Diameter	Available Slots	Available Finishes	
XG-6610SP - Supply	11	10	1, 2	Standard	
XG-6610RSP - Return	12	12	1, 2, 3	20	White / Black PC
		14	1, 2, 3	Optional	
		16	1, 2, 3, 4	21	Clear Anodized / Black PC
		18	1, 2, 3, 4	28	Custom Color / Black PC
		20	1, 2, 3, 4		
		24	1, 2, 3, 4		
		30	1, 2, 3, 4		

SERIES XG-6610SP PERFORMANCE DATA
MODEL XG-6610SP 1" SLOT - CFM PER LINEAR FOOT

Slots	Static Pressure	Horizontal Vertical	.008	.030	.047	.068	.092	.120	.152	.188	.227	.270
			.003	.012	.020	.028	.037	.040	.061	.076	.092	.109
1	CFMLF		10	20	25	30	35	40	45	50	55	60
	Horizontal Throw		1-2-6	3-6-22	4-10-24	6-14-27	9-19-29	11-22-31	14-23-33	18-24-36	20-26-36	22-27-38
	Vertical Throw		2	10	12	13	14	15	16	17	18	18
	Horizontal NC		<15	<15	<15	<15	19	22	24	26	28	30
	Vertical NC		<15	<15	<15	<15	<15	<15	<15	<15	16	18
2	CFMLF		20	40	50	60	70	80	90	100	110	120
	Horizontal Throw		1-3-10	5-10-29	7-16-35	10-22-38	14-26-41	19-29-44	22-33-46	25-35-49	27-36-51	29-38-54
	Vertical Throw		4	14	17	18	20	21	23	24	25	26
	Horizontal NC		<15	<15	<15	<15	21	25	27	29	31	33
	Vertical NC		<15	<15	<15	<15	<15	<15	15	17	19	21
3	CFMLF		30	60	75	90	105	120	135	150	165	180
	Horizontal Throw		3-7-18	12-18-36	15-23-41	18-27-44	21-32-48	24-26-51	27-39-54	30-41-57	33-43-60	36-44-63
	Vertical Throw		4	17	21	23	24	26	28	29	31	32
	Horizontal NC		<15	<15	<15	17	22	27	28	30	32	34
	Vertical NC		<15	<15	<15	<15	<15	15	16	18	20	22
4	CFMLF		40	80	100	120	140	160	180	200	220	240
	Horizontal Throw		4-10-24	16-24-42	20-30-47	24-36-51	28-39-55	32-42-59	36-44-63	38-47-66	40-49-70	42-51-73
	Vertical Throw		5	20	24	26	28	30	32	34	35	37
	Horizontal NC		<15	<15	15	19	24	29	30	32	34	36
	Vertical NC		<15	<15	<15	<15	<15	17	18	20	22	24

SERIES XG-6610R PERFORMANCE DATA
MODEL XG-6610RSP 1" SLOT WIDTH

Number of Slots	Inches of Water	Negative Ps					
		.020	.040	.060	.080	.100	.150
1	CFM/ft.	35	50	60	70	80	95
	NC	-	25	31	36	40	45
2	CFM/ft.	70	100	125	140	155	190
	NC	-	27	33	37	41	47
3	CFM/ft.	105	150	185	210	235	285
	NC	-	29	35	39	43	49
4	CFM/ft.	140	200	250	280	310	380
	NC	-	31	37	41	45	51

PERFORMANCE NOTES FOR SERIES XG-6610SP

All data is tested in accordance with ANSI/ASHRAE 70-2006.

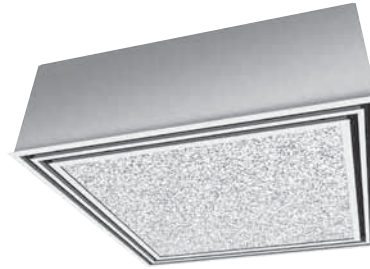
DEFINITION OF UNITS

- On units without BP/BPI plenums, pressure drop reported is across the diffuser element only. The field supply plenum pressure drop should be included when determining system fan requirements. A good approximation of the static pressure requirements can be calculated by adding the velocity pressure through the plenum inlet to the diffuser section pressure drop.
- NC is based on a 4 ft. section of diffuser. The following table should be used to calculate sound levels for lengths other than 4 ft.
- To correct throws for lengths other than the 4 ft. lengths used in determining catalog performance, throws should be adjusted per the following table:

NC Correction for Length			
Length (feet)	2	4	6
NC Correction	-2	0	2
Throw Correction Multiplier for Length			
Length (feet)	2	4	8
Throw Correction	-7	1	1.2

- All pressures are in inches of water.
- Isothermal throws are given for terminal velocities of 150, 100 and 50 fpm, based upon 4 ft. section.
- Vertical throw values are based on a 50 fpm terminal velocity.
- For Vertical supply subtract one NC.
- For Returns minus pattern controllers, deduct 12 NC.
- Throw values are based on a One-Way discharge from the slot. For Two-Way discharge, throw is based upon the number and size of the slots throwing in each direction, with the total supply airflow split equally between all slots in the unit.
- Data was collected in accordance to ASHRAE standard 70-2006 Method of Testing for rating the performance of air outlets and inlets.

MODEL XG-6600SQ



LINEAR SLOT DIFFUSER – MODULAR – ALUMINUM – MODELS XG-6600SQ/XG-6600SQI/XG-6600SQR

Air diffusers shall be supply models XG-6600SQ (non-insulated) and XG-6600SQI (insulated) or return model XG-6600SQR manufactured by Greenheck. Units shall be constructed of heavy-gauge extruded aluminum. Diffusers shall have one to four slots with .5", .75" or 1" slot widths and 1.5" slot widths available with one or two slots. The units shall be the size and quantity as outlined in the plans and specifications.

The supply units shall be square face ceiling diffusers and shall have a factory-installed backpan. The backpan must be of sufficient height to allow the center tile (by the ceiling system manufacturer) to be installed from the diffuser face without disassembling the face from the backpan. Devices without backpan attached to the diffuser face will not be allowed. The pattern controllers shall be curved aerodynamically shaped, capable of adjustment from the face of the diffuser. The pattern controllers shall allow adjustment from vertical to horizontal patterns as well as damper the volume through the face of the diffuser. Pattern controllers shall be aluminum construction. Steel pattern controllers are not acceptable.

The return units shall be square face ceiling diffusers and shall have a factory-attached light shield. The light shield must be of sufficient height to allow center tile (by the ceiling system manufacturer) to be installed from the diffuser face without disassembling the face from the light shield. Devices without light shield attached to the diffuser face will not be allowed. The face shall be designed to match the appearance of the supply unit.

Performance Specification

The manufacturer shall provide published performance data. Data shall be tested in accordance to ANSI/ASHRAE Standard 70-2006.

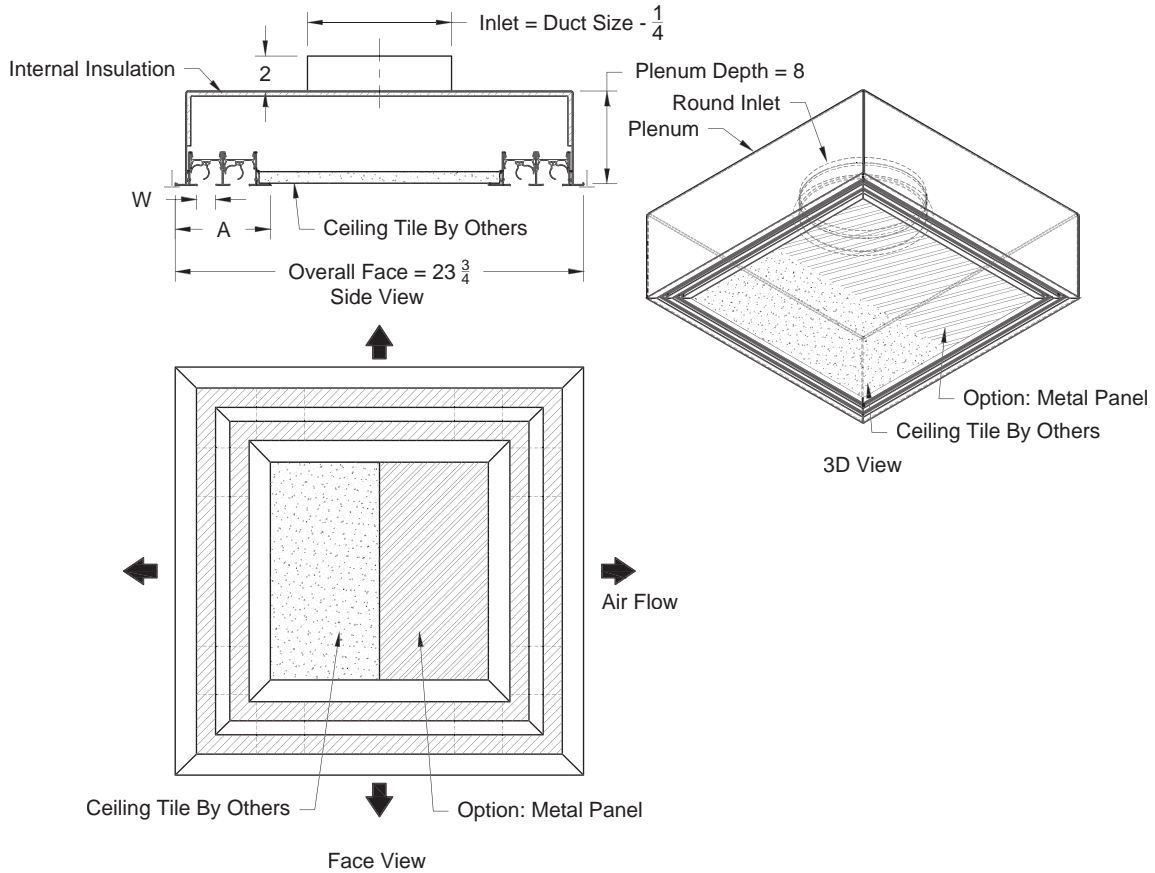
Paint Specification

Process shall be anodic electro-deposition using an anodic acrylic paint. Units shall undergo pretreatment including a pressurized spray stage using an alkaline cleaner and a deionized water rinse.

MODEL XG-6600SQI-6

Model: XG-6600SQI-6 Supply - Insulated - T-Bar lay In

XG-6600SQI-6 - T-Bar Lay-In



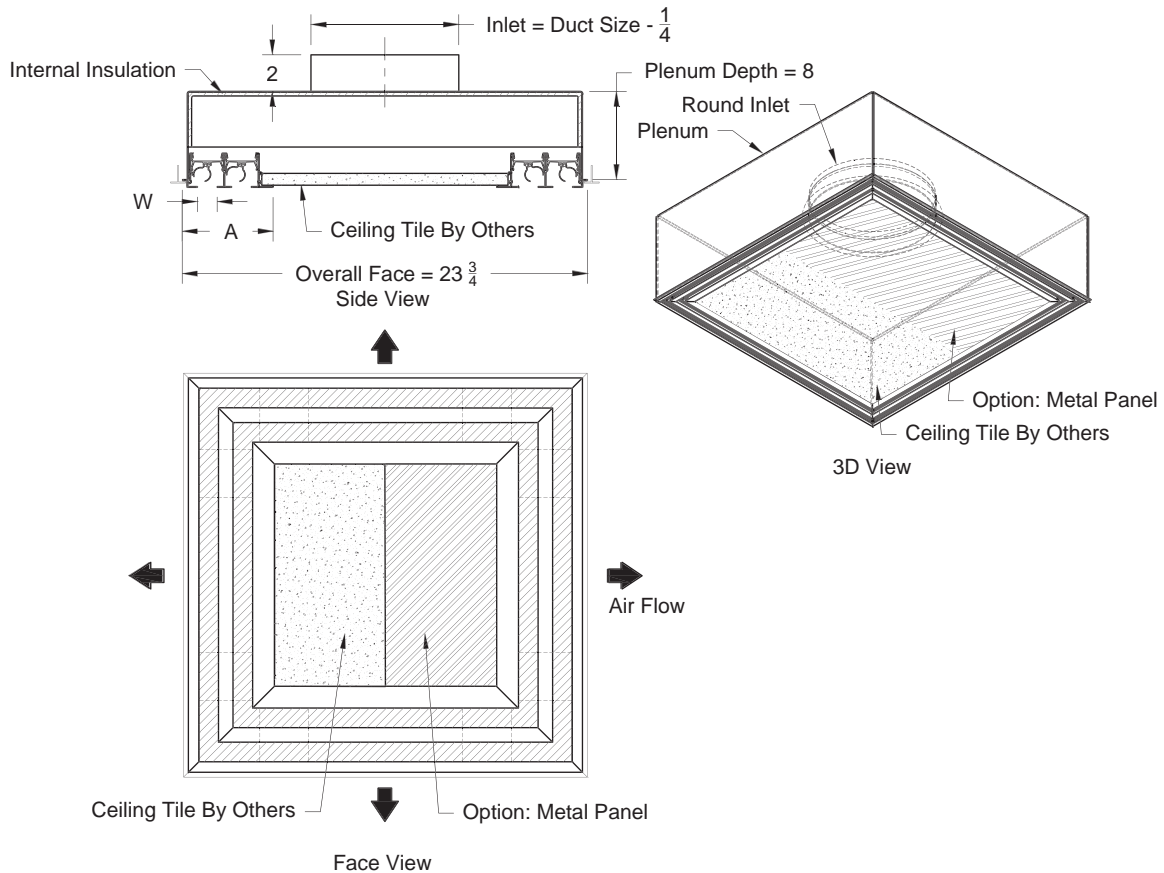
Model	Dim. W	1 Slot	2 Slot	3 Slot	4 Slot
		Dim. A	Dim. A	Dim. A	Dim. A
6650SQ	1/2	2 3/4	4	5 1/4	6 1/2
6675SQ	3/4	3	4 1/2	6	7 1/2
6610SQ	1	3 1/4	5	6 3/4	8 1/2

1. Available Finishes	2. Available Accessories	3. Available Options	4. Construction Details
Standard Finish: 20 - White Face, Black Back 21 - Clear anodized with Black Pattern Controller 03 - Black Optional Finish: 28 - Special/Setup Charge	XG-D3 - Radial Opposed Blade Damper XG-BDS - Butterfly Damper XG-RSD - Steel Radial Shutter Damper XG-EQ - Equalizing Grid XG-TBPF - T-Bar Plaster Frame		<ul style="list-style-type: none"> • Only Available in 24 x 24 • Sizes available in only 1-8 slots
All Dimensions $\pm 1/16"$			

MODEL XG-6600SQI-8

Model: XG-6600SQI-8 Supply - Insulated - Tegular T-Bar

XG-6600SQI-8 - Tegular T-Bar



Model	Dim. W	1 Slot	2 Slot	3 Slot	4 Slot
		Dim. A	Dim. A	Dim. A	Dim. A
6650SQ	1/2	2 3/4	4	5 1/4	6 1/2
6675SQ	3/4	3	4 1/2	6	7 1/2
6610SQ	1	3 1/4	5	6 3/4	8 1/2

1. Available Finishes

Standard Finish:
 20 - White Face, Black Back
 21 - Clear anodized with Black Pattern Controller
 03 - Black
 Optional Finish:
 28 - Special/Setup Charge

2. Available Accessories

XG-D3 - Radial Opposed Blade Damper
 XG-BDS - Butterfly Damper
 XG-RSD - Steel Radial Shutter Damper
 XG-EQ - Equalizing Grid
 XG-TBPF - T-Bar Plaster Frame

3. Available Options

4. Construction Details

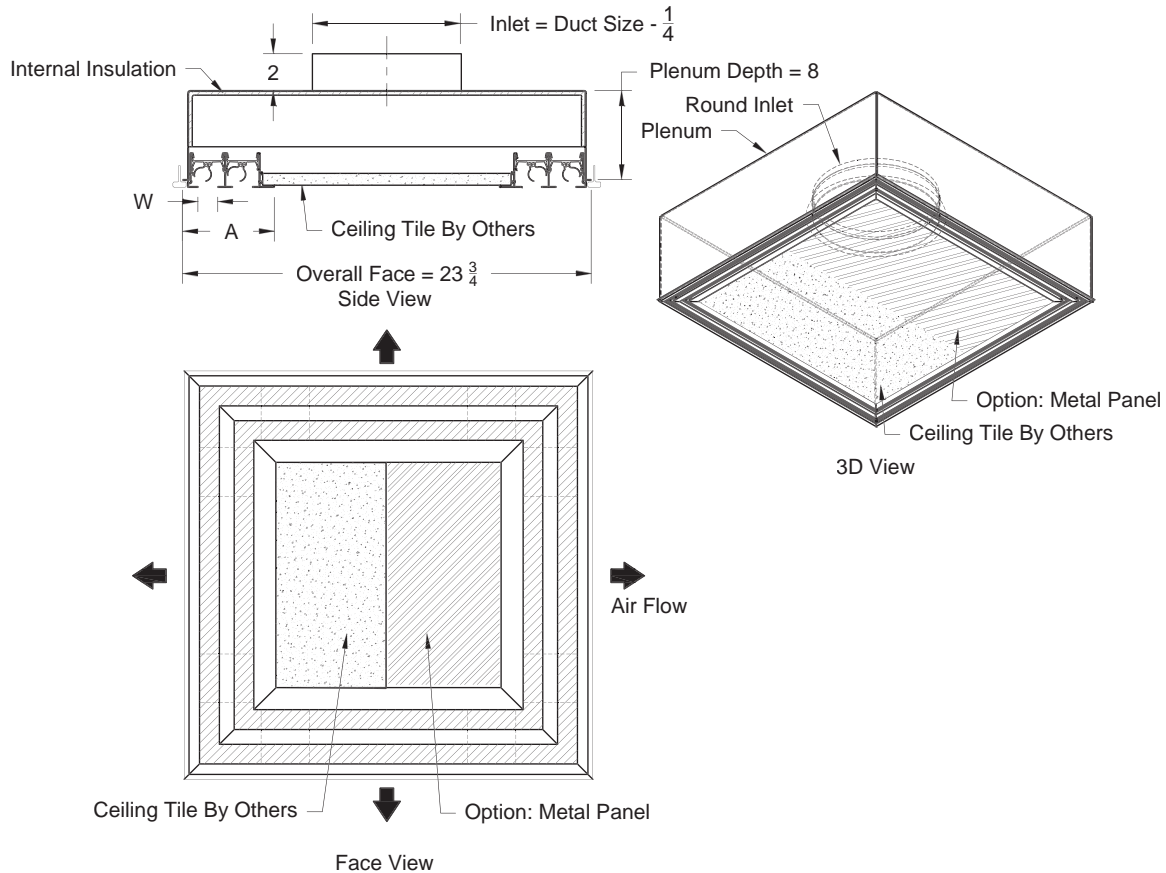
- Only Available in 24 x 24
- Sizes available in only 1-8 slots

All Dimensions $\pm 1/16"$

MODEL XG-6600SQI-9

Model: XG-6600SQI-9 Supply - Insulated - Bolt Slot / Donn Finline Ceiling Grid

XG-6600SQI-9 - Bolt Slot / Donn Ceiling Grid



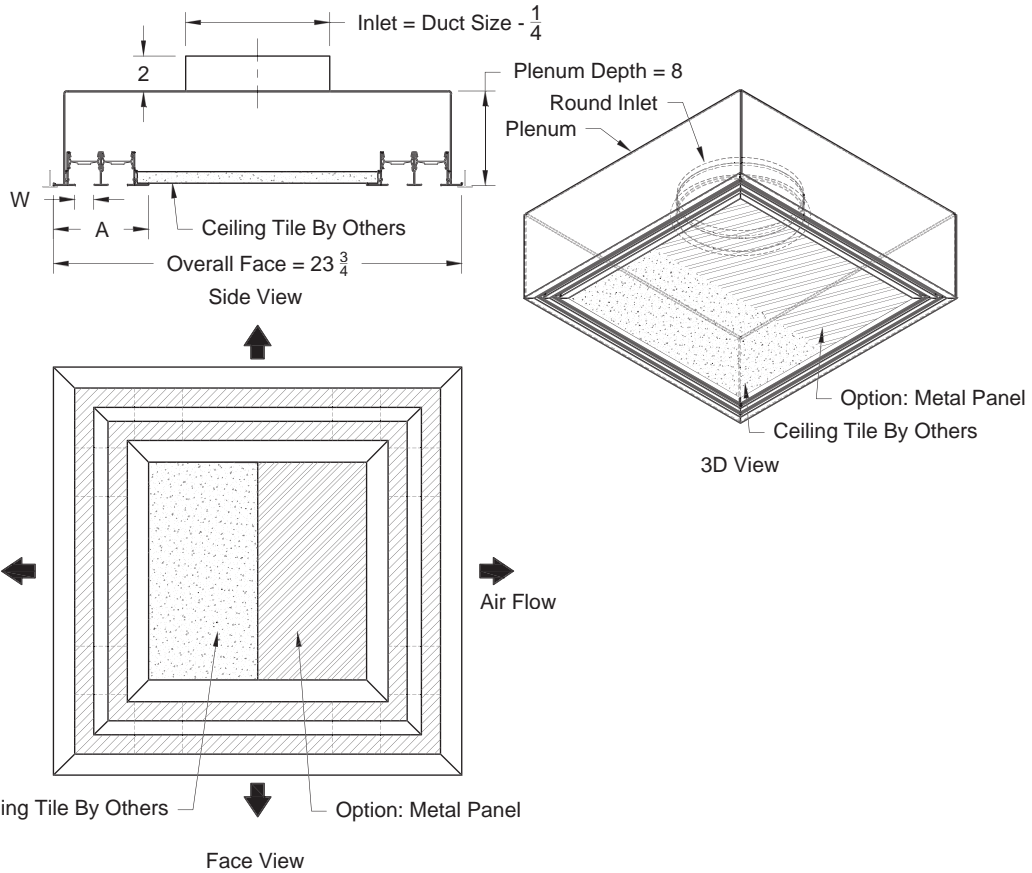
Model	Dim. W	1 Slot	2 Slot	3 Slot	4 Slot
		Dim. A	Dim. A	Dim. A	Dim. A
6650SQ	1/2	2 3/4	4	5 1/4	6 1/2
6675SQ	3/4	3	4 1/2	6	7 1/2
6610SQ	1	3 1/4	5	6 3/4	8 1/2

1. Available Finishes	2. Available Accessories	3. Available Options	4. Construction Details
Standard Finish: 20 - White Face, Black Back 21 - Clear anodized with Black Pattern Controller 03 - Black Optional Finish: 28 - Special/Setup Charge	XG-D3 - Radial Opposed Blade Damper XG-BDS - Butterfly Damper XG-RSD - Steel Radial Shutter Damper XG-EQ - Equalizing Grid XG-TBPF - T-Bar Plaster Frame		<ul style="list-style-type: none"> • Only Available in 24 x 24 • Sizes available in only 1-8 slots
All Dimensions $\pm 1/16"$			

MODEL XG-6600SQR-6

Model: XG-6600SQR-6 Return - non Insulated - T-Bar lay In

XG-6600SQR-6 - T-Bar Lay-In



Model	Dim. W	1 Slot	2 Slot	3 Slot	4 Slot
		Dim. A	Dim. A	Dim. A	Dim. A
6650SQ	1/2	2 3/4	4	5 1/4	6 1/2
6675SQ	3/4	3	4 1/2	6	7 1/2
6610SQ	1	3 1/4	5	6 3/4	8 1/2

1. Available Finishes

Standard Finish:
 20 - White Face, Black Back
 21 - Clear anodized with
 Black Pattern Controller
 03 - Black
 Optional Finish:
 28 - Special/Setup Charge

2. Available Accessories

XG-D3 - Radial Opposed Blade Damper
 XG-BDS - Butterfly Damper
 XG-RSD - Steel Radial Shutter Damper
 XG-EQ - Equalizing Grid
 XG-TBPF - T-Bar Plaster Frame

3. Available Options

4. Construction Details

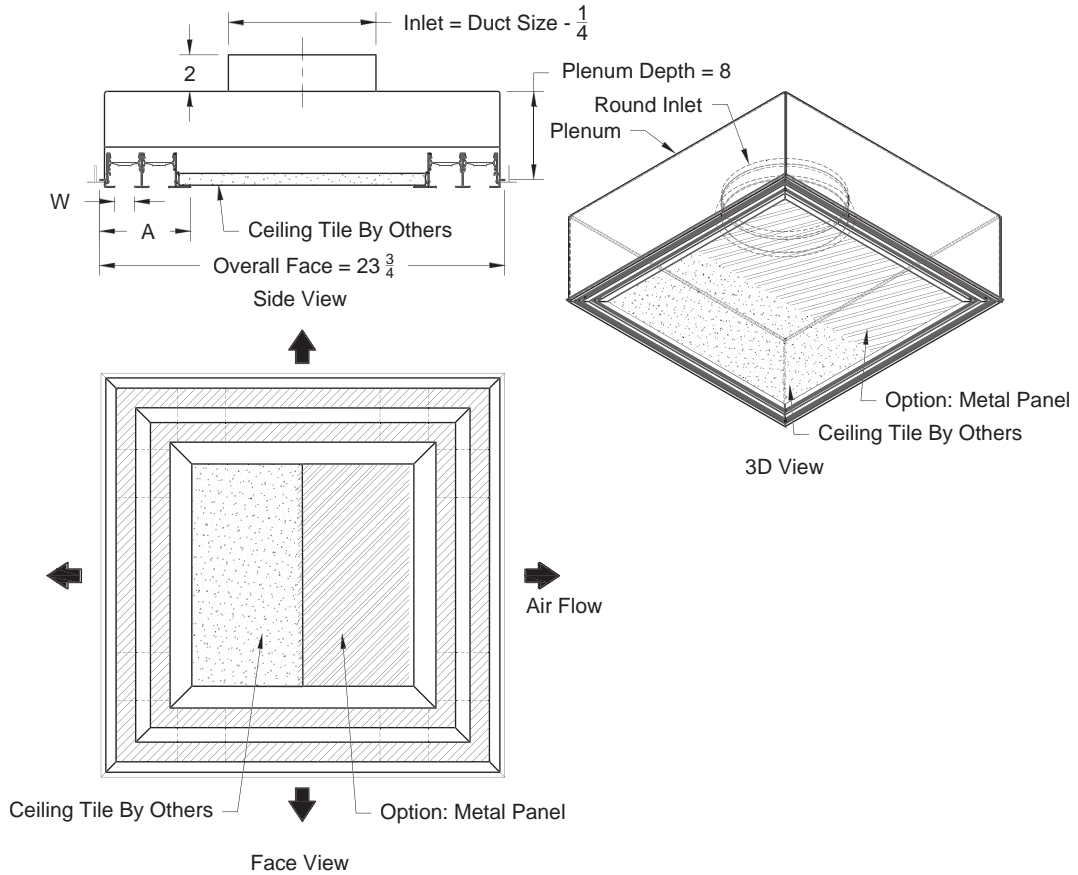
- Only Available in 24 x 24
- Sizes available in only 1-8 slots

All Dimensions $\pm 1/16"$

MODEL XG-6600SQR-8

Model: XG-6600SQR-8 Return - non Insulated - T-Bar

XG-6600SQR-8 - T-Bar



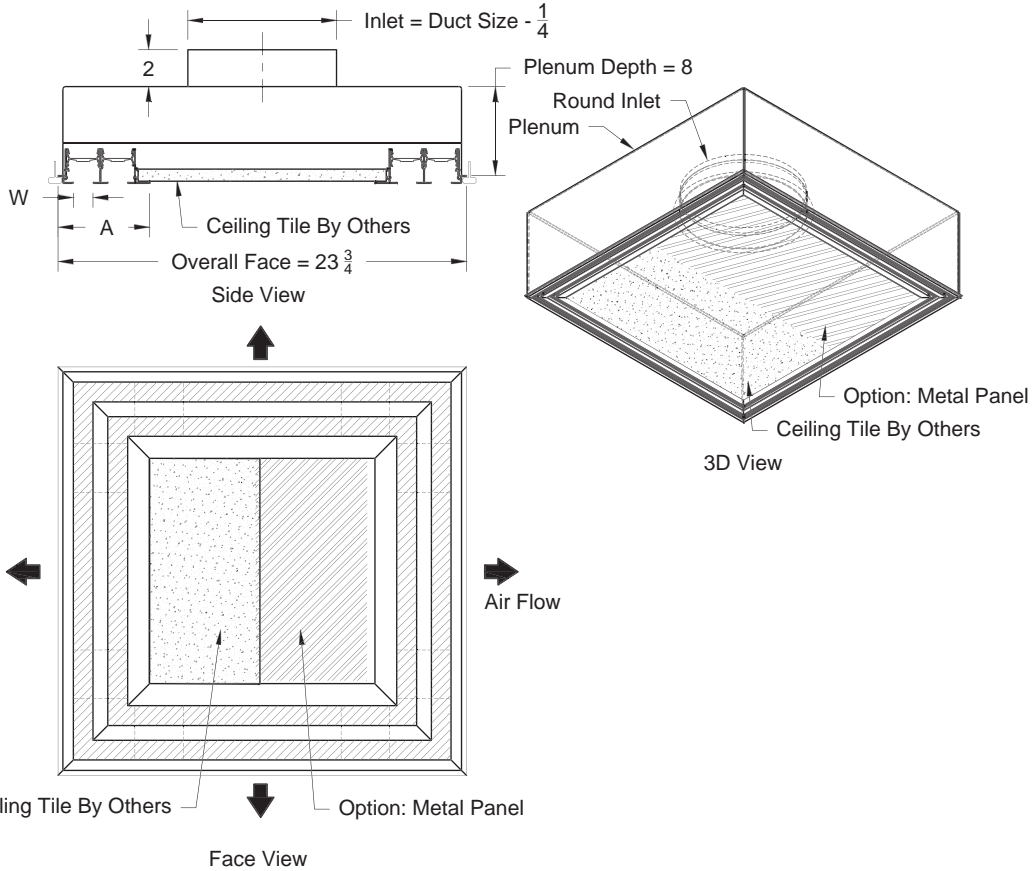
Model	Dim. W	1 Slot	2 Slot	3 Slot	4 Slot
		Dim. A	Dim. A	Dim. A	Dim. A
6650SQ	1/2	2 3/4	4	5 1/4	6 1/2
6675SQ	3/4	3	4 1/2	6	7 1/2
6610SQ	1	3 1/4	5	6 3/4	8 1/2

1. Available Finishes	2. Available Accessories	3. Available Options	4. Construction Details
Standard Finish: 20 - White Face, Black Back 21 - Clear anodized with Black Pattern Controller 03 - Black Optional Finish: 28 - Special/Setup Charge	XG-D3 - Radial Opposed Blade Damper XG-BDS - Butterfly Damper XG-RSD - Steel Radial Shutter Damper XG-EQ - Equalizing Grid XG-TBPF - T-Bar Plaster Frame		<ul style="list-style-type: none"> • Only Available in 24 x 24 • Sizes available in only 1-8 slots
All Dimensions ±1/16"			

MODEL XG-6600SQR-9

Model: XG-6600SQR-9 Return - non Insulated - Bolt Slot / Donn Finline Ceiling Grid

XG-6600SQR-9 - Bolt Slot / Donn Finline Ceiling Grid



Model	Dim. W	1 Slot	2 Slot	3 Slot	4 Slot
		Dim. A	Dim. A	Dim. A	Dim. A
6650SQ	1/2	2 3/4	4	5 1/4	6 1/2
6675SQ	3/4	3	4 1/2	6	7 1/2
6610SQ	1	3 1/4	5	6 3/4	8 1/2

1. Available Finishes

Standard Finish:
 20 - White Face, Black Back
 21 - Clear anodized with
 Black Pattern Controller
 03 - Black
 Optional Finish:
 28 - Special/Setup Charge

2. Available Accessories

XG-D3 - Radial Opposed Blade Damper
 XG-BDS - Butterfly Damper
 XG-RSD - Steel Radial Shutter Damper
 XG-EQ - Equalizing Grid
 XG-TBPF - T-Bar Plaster Frame

3. Available Options

4. Construction Details

- Only Available in 24 x 24
- Sizes available in only 1-8 slots

All Dimensions $\pm 1/16"$

SERIES XG-6600SQ MODEL NUMBER SPECIFICATION
SUPPLY - MODULAR SLOT ARCHITECTURAL DIFFUSER
MODEL XG-6600SQ

Model		Slot Width	# of Slots	Inlet Size	Module
XG-6600SQ-6	T-bar Lay-in	1/2	1	6	24 x 24
XG-6600SQI-6	T-bar Lay-in Insulated	3/4	2	8	
XG-6600SQ-8	Tegular T-bar	1	3	10	
XG-6600SQI-8	Tegular T-bar Insulated		4	12	
XG-6600SQ-9	Donn Finline	1 1/2	1	14	
XG-6600SQI-9	Donn Finline Insulated		2		

Available Finishes		Available Accessories	
Standard		XG-D3	Aluminum Radial Opposed Blade Damper
20	White Face w/ Black PC	XG-G3	Equalizing Grid
Optional		XG-BDS	Butterfly Damper
21	Clear Anodized Face w/ Black PC	XG-RSD	Radial Shutter Damper
28	Custom Color	XG-TBPF	T-Bar Plaster Frame

RETURN MODULAR SLOT ARCHITECTURAL DIFFUSER
MODEL XG-6600SQR

Model	Slot Width	# Slots	Module	Available Finishes	
XG-6600SQR-6	T-bar Lay-in	1	24 x 24	Standard	
XG-6600SQR-8	Tegular T-bar	2		20	White Face
XG-6600SQR-9	Donn Finline	3		Optional	
		4		21	Clear Anodized Face
		1		28	Custom Color
	1 1/2	2			

SERIES XG-6600SQ PERFORMANCE DATA
MODEL XG-6600SQ 1" SLOT WIDTH

1 Slot 8" Inlet	CFM	100	150	200	250	300	350
	Throw	3-5-10	5-7-13	6-9-15	8-12-18	9-14-20	11-16-22
	Pt	0.023	0.046	0.080	0.122	0.172	0.228
	Ps	0.017	0.034	0.059	0.090	0.125	0.165
	NC	-	-	27	30	38	44
2 Slot 10" Inlet	CFM	150	200	250	330	350	400
	Throw	2-4-10	3-6-12	5-8-15	7-10-17	8-13-21	8-15-24
	Pt	0.030	0.050	0.074	0.103	0.137	0.169
	Ps	0.025	0.041	0.061	0.084	0.110	0.135
	NC	-	-	22	28	35	39
3 Slot 12" Inlet	CFM	200	250	300	350	400	450
	Throw	4-5-10	5-7-13	6-8-16	7-9-19	8-11-21	9-13-23
	Pt	0.028	0.042	0.055	0.074	0.090	0.117
	Ps	0.023	0.035	0.046	0.061	0.074	0.094
	NC	-	-	20	25	29	34
4 Slot 8" Inlet	CFM	250	300	350	400	450	500
	Throw	4-5-10	5-7-13	6-8-15	7-10-19	7-11-20	8-12-22
	Pt	0.034	0.048	0.059	0.071	0.091	0.107
	Ps	0.027	0.038	0.045	0.55	0.68	0.081
	NC	-	20	23	27	30	33

SERIES XG-6600SQ PERFORMANCE DATA
MODEL XG-6600SQ 3/4" SLOT WIDTH

1 Slot 6" Inlet	CFM	50	100	150	200	250	300
	Throw	2-3-5	3-5-9	4-8-13	6-10-16	8-12-18	10-15-20
	Pt	0.013	0.039	0.083	0.145	0.219	0.319
	Ps	0.011	0.033	0.071	0.125	0.187	0.272
	NC	-	-	20	28	32	39
2 Slot 10" Inlet	CFM	100	150	200	250	300	350
	Throw	2-4-7	3-6-10	5-8-13	6-10-16	7-12-18	8-14-20
	Pt	0.015	0.033	0.068	0.087	0.124	0.172
	Ps	0.013	0.026	0.049	0.074	0.105	0.145
	NC	-	-	20	24	26	31
3 Slot 10" Inlet	CFM	150	200	250	300	350	400
	Throw	3-4-9	4-5-12	5-7-15	6-9-17	7-11-19	8-13-22
	Pt	0.023	0.040	0.051	0.078	0.117	0.149
	Ps	0.018	0.031	0.048	0.059	0.090	0.115
	NC	-	-	22	25	28	32
4 Slot 12" Inlet	CFM	200	250	300	350	400	450
	Throw	3-4-8	4-5-11	6-9-15	7-10-18	8-11-20	8-13-22
	Pt	0.025	0.038	0.064	0.075	0.092	0.117
	Ps	0.021	0.031	0.044	0.062	0.075	0.094
	NC	-	-	-	22	25	28

SERIES XG-6600SQ PERFORMANCE DATA
MODEL XG-6600SQ 1/2" SLOT WIDTH

1 Slot 6" Inlet	CFM	50	100	150	175	200	225
	Throw	4-6-8	6-10-15	8-13-19	12-17-22	15-20-29	18-24-35
	Pt	0.028	0.102	0.227	0.302	0.37	0.42
	Ps	0.023	0.086	0.19	0.251	0.305	0.42
	NC	-	27	35	41	48	52
2 Slot 8" Inlet	CFM	75	125	150	200	250	275
	Throw	3-5-7	4-7-10	5-8-12	7-10-15	9-3-19	11-18-22
	Pt	0.034	0.059	0.122	0.021	0.312	0.39
	Ps	0.03	0.051	0.11	0.18	0.28	0.35
	NC	-	-	24	29	38	45
3 Slot 8" Inlet	CFM	100	150	200	225	250	300
	Throw	2-4-5	3-6-7	5-8-11	6-9-13	7-10-15	9-12-18
	Pt	0.042	0.088	0.146	0.187	0.222	0.312
	Ps	0.036	0.076	0.125	0.16	0.19	0.265
	NC	-	-	21	27	35	43
4 Slot 10" Inlet	CFM	150	200	250	275	300	350
	Throw	3-5-6	5-7-8	7-10-12	8-11-14	9-13-17	11-15-21
	Pt	0.061	0.103	0.153	0.191	0.209	0.282
	Ps	0.056	0.094	0.14	0.175	0.19	0.255
	NC	-	22	28	32	37	40

PERFORMANCE NOTES FOR SERIES XG-6600SQ

All data is tested in accordance with ANSI/ASHRAE 70-2006.

DEFINITION OF UNITS

CFM	Cubic Feet per Minute (air)
Horizontal throw	Throw distance in feet at terminal velocities of 150, 100 and 50 fpm.
NC	Noise criterion, sound pressure level. NC ratings are based on sound power level (Lw) re: 10 ⁻¹² watts minus a 10 dB room attenuation in all octave bands
Ps	Static pressure = Pt-Pv (inches of water column)
Pt	Total pressure (inches of water column)
Pv	Velocity pressure (inches of water column)
fpm	Velocity of air stream in Feet per Minute

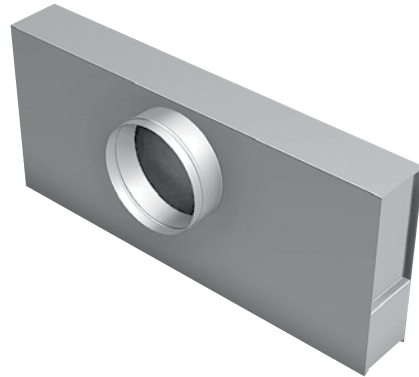
LINEAR BAR GRILLES

The Greenheck line of linear bar grilles is designed for installation in sidewall, sill or floor and can be used for supply or return air.

XG-2000 BAR GRILLES



XG-UP-2000 PLENUM



XG-2000 Bar Grilles

The XG-2000 series of linear bar grilles and registers is constructed of high-grade aluminum extrusion and is available in a variety of core and border styles.

XG-2000 – 1" border – 7/32" bars – 1/2" centers

XG-2100 – 1/2" border – 7/32" bars – 1/2" centers

XG-2200F – 3/16" border – 7/32" bars – 1/2" centers

XG-2300 – 1" border – 1/8" bars – 1/4" centers

XG-2400 – 1/2" border – 1/8" bars – 1/4" centers

XG-2500 – 1" border – 1/8" bars – 1/2" centers

XG-2600 – 1/2" border – 1/8" bars – 1/2" centers

XG-2700 – 3/16" border – 1/8" bars – 1/2" centers

XG-2800 – 3/16" border – 1/8" bars – 1/4" centers

PAGE 221

XG-UP-2000 Plenum

The XG-UP-2000 universal plenum is constructed of galvanized steel and is available with or without insulation.

XG-UP-2000 – Uninsulated plenum

XG-UPI-2000 – Insulated plenum

PAGE 262

Series XG-2000 - 1 borders - 7/32 bars - 1/2 centers		
Wall Mounted	Core Only	Floor Mounted
XG-2000 - 0° Deflection	XG-2000CO - 0° Deflection	XG-2000F - 0° Deflection
XG-2015 - 15° Deflection	XG-2015CO - 15° Deflection	XG-2015F - 15° Deflection
XG-2030 - 30° Deflection	XG-2030CO - 30° Deflection	XG-2030F - 30° Deflection

Concealed Mounting Hanger	Plaster Wall & Ceiling With Subframe	Tape and Spackle
XG-2000H - 0° Deflection	XG-2000HP - 0° Deflection	XG-2000TS - 0° Deflection
XG-2015H - 15° Deflection	XG-2015HP - 15° Deflection	XG-2015TS - 15° Deflection
XG-2030H - 30° Deflection	XG-2030HP - 30° Deflection	XG-2030TS - 30° Deflection

Series XG-2100 - 1/2 borders - 7/32 bars - 1/2 centers		
Wall Mounted	Concealed Mounting Hanger	Concealed Spine Subframe
XG-2100 - 0° Deflection	XG-2100H - 0° Deflection	XG-2100HP - 0° Deflection
XG-2115 - 15° Deflection	XG-2115H - 15° Deflection	XG-2115HP - 15° Deflection
XG-2130 - 30° Deflection	XG-2130H - 30° Deflection	XG-2130HP - 30° Deflection

Narrow Subframe	Combination Subframe
XG-2100HW - 0° Deflection	XG-2100HC - 0° Deflection
XG-2115HW - 15° Deflection	XG-2115HC - 15° Deflection
XG-2130HW - 30° Deflection	XG-2130HC - 30° Deflection

Series XG-2200 - 3/16 borders - 7/32 bars - 1/2 centers		
Non Flanged Floor Mounting	Non Flanged Floor Mounting Pencil Proof	Concealed Mounting Hanger
XG-2200F - 0° Deflection	XG-2200FP - 0° Deflection	XG-2200H - 0° Deflection
XG-2215F - 15° Deflection	XG-2215FP - 15° Deflection	XG-2230H - 30° Deflection
XG-2230F - 30° Deflection	XG-2230FP - 30° Deflection	XG-2215H - 15° Deflection

Series XG-2300 - 1 borders - 1/8 bars - 1/4 centers			
Wall Mounted	Core Only	Floor Mounted	Tape and Spackle
XG-2300 - 0° Deflection	XG-2300CO - 0° Deflection	XG-2300F - 0° Deflection	XG-2300TS - 0° Deflection
XG-2315 - 15° Deflection	XG-2315CO - 15° Deflection	XG-2315F - 15° Deflection	XG-2315TS - 15° Deflection
XG-2330 - 30° Deflection	XG-2330CO - 30° Deflection	XG-2330F - 30° Deflection	XG-2330TS - 30° Deflection

Concealed Mounting Hanger	Spline Subframe	Concealed Floor Mount
XG-2300H - 0° Deflection	XG-2300HP - 0° Deflection	XG-2300FH - 0° Deflection
XG-2315H - 15° Deflection	XG-2315HP - 15° Deflection	XG-2315FH - 15° Deflection
XG-2330H - 30° Deflection	XG-2330HP - 30° Deflection	XG-2330FH - 30° Deflection

Series XG-2400 - 1/2 borders - 1/8 bars - 1/4 centers		
Wall Mounted	Concealed Mounting Hanger	Spline Subframe
XG-2400 - 0° Deflection	XG-2400H - 0° Deflection	XG-2400HC - 0° Deflection
XG-2415 - 15° Deflection	XG-2415H - 15° Deflection	XG-2415HC - 15° Deflection
XG-2430 - 30° Deflection	XG-2430H - 30° Deflection	XG-2430HC - 30° Deflection

Concealed Spline Subframe	Narrow Subframe
XG-2400HP - 0° Deflection	XG-2400HW - 0° Deflection
XG-2415HP - 15° Deflection	XG-2415HW - 15° Deflection
XG-2430HP - 30° Deflection	XG-2430HW - 30° Deflection

Series XG-2500 - 1 borders - 1/8 bars - 1/2 centers
Wall Mounted
XG-2500 - 0° Deflection
XG-2515 - 15° Deflection
XG-2530 - 30° Deflection

Concealed Mounting Hanger	Plaster Wall & Ceiling With Subframe	Tape and Spackle
XG-2500H - 0° Deflection	XG-2500HP - 0° Deflection	XG-2500TS - 0° Deflection
XG-2515H - 15° Deflection	XG-2515HP - 15° Deflection	XG-2515TS - 15° Deflection
XG-2530H - 30° Deflection	XG-2530HP - 30° Deflection	XG-2530TS - 30° Deflection

Series XG-2600 - 1/2" border - 1/8" bars - 1/2" centers	
Wall Mounted	Add Additional Mounting
XG-2600 - 0° Deflection	"H" Concealed Mounting Hanger
XG-2615 - 15° Deflection	"HP" Concealed Spline Subframe
XG-2630 - 30° Deflection	"HC" Spline Subframe
	"HW" Narrow Subframe

Series XG-2700H - 3/16" border - 1/8" bars - 1/2" centers	Series XG-2800H - 3/16" border - 1/8" bars - 1/4" centers
Concealed Mounting Hanger	Concealed Mounting Hanger
XG-2700H - 0° Deflection	XG-2800 - 0° Deflection
XG-2715H - 15° Deflection	XG-2815 - 15° Deflection
XG-2730H - 30° Deflection	XG-2830 - 30° Deflection

MODEL XG-2000

Air outlets shall be Series XG-2000 extruded aluminum linear bar grilles manufactured by GREENHECK. Units shall be designed specifically for sidewall or ceiling applications and be constructed from heavy-gauge extruded aluminum. The units shall be the size and quantity as outlined in the plans and specifications.



Deflection bars shall be 0°, 15° or 30° as detailed. Face bars shall be (1/8" or 7/32") wide on (1/4" or 1/2") centers and shall be permanently fixed in position. Borders shall be (1" or 1/2") wide. Auxiliary subframes shall be furnished as required to fit the wall or ceiling system.

Bar Grilles and Registers shall be furnished with positive holding concealed mounting systems as required. Units shall be furnished in one piece up to 6 feet in length. Continuous sections shall butt together with hairline joints and be provided with interlocking alignment splines. Borders shall be mechanically fastened to provide a neat hairline corner.

Floor Applications

1" Border, 7/32" Bars, 1/2" Centers - Model XG-2000F

3/16" Border, 7/32" Bars, 1/2" Centers (*Not available for continuous runs) - Model XG-2200F

Air outlets shall be Series XG-2000 extruded aluminum linear bar grilles manufactured by GREENHECK. Units shall be designed specifically for floor applications and be constructed from heavy-gauge extruded aluminum. The units shall be the size and quantity as outlined in the plans and specifications.

Deflection bars shall be 0°, 15°, or 30° as detailed.

Cores shall be removable and shall be held in place by coated steel retaining clips. Face bars shall be a minimum of 7/32" thick. Grille Borders shall be (3/16" or 1") wide with 3/16" wide bars. Units shall be specially reinforced for floor installation with 1/8" by 11/16" inch support brackets. Units shall be furnished in one piece up to 6 feet in length. Continuous sections* shall butt together with hairline joints and be provided with interlocking alignment splines. Bar Grille borders shall be mitered and mechanically fastened to provide a neat hairline corner.

Pencil Proof Floor

1" Border, 17/64" Bars, 1/2" Centers - Model XG-2000FP

3/16" Border, 17/64" Bars, 1/2" Centers (*Not available for continuous runs) - Model XG-2200FP

Air outlets shall be Series XG-2000 extruded aluminum linear bar grilles manufactured by GREENHECK. Units shall be designed specifically for pencil proof applications and be constructed from heavy-gauge extruded aluminum. The units shall be the size and quantity as outlined in the plans and specifications.

Deflection bars shall be 0°, 15° or 30° as detailed. Face bars shall be 17/64" wide on 1/2" centers and shall be permanently fixed in position. Borders shall be (1" or 3/16") wide as specified.

Bar Grilles and Registers shall be furnished with positive holding concealed mounting systems as required. Grille and Register sections shall be furnished in one piece up to 6 feet in length. Continuous Grille sections shall butt together with hairline joints and shall be provided with interlocking alignment splines. Bar Grille borders shall be mechanically fastened to provide a neat hairline corner.

Cores shall be removable and shall be held in place by coated steel retaining clips. Grilles and Registers shall be specially reinforced for floor or sill installation with 1/8 inch by 11/16 inch support brackets. Units shall be furnished in one piece up to 6 feet in length. Continuous sections* shall butt together with hairline joints and be provided with interlocking alignment splines. Borders shall be mitered and mechanically fastened to provide a neat hairline corner.

Optional Accessories

Opposed blade volume control dampers, extractors, and equalizing grids shall be furnished behind active supply sections. Opposed blade volume control dampers shall be furnished behind return sections as required.

Debris screens shall be furnished behind active and return sections as required.

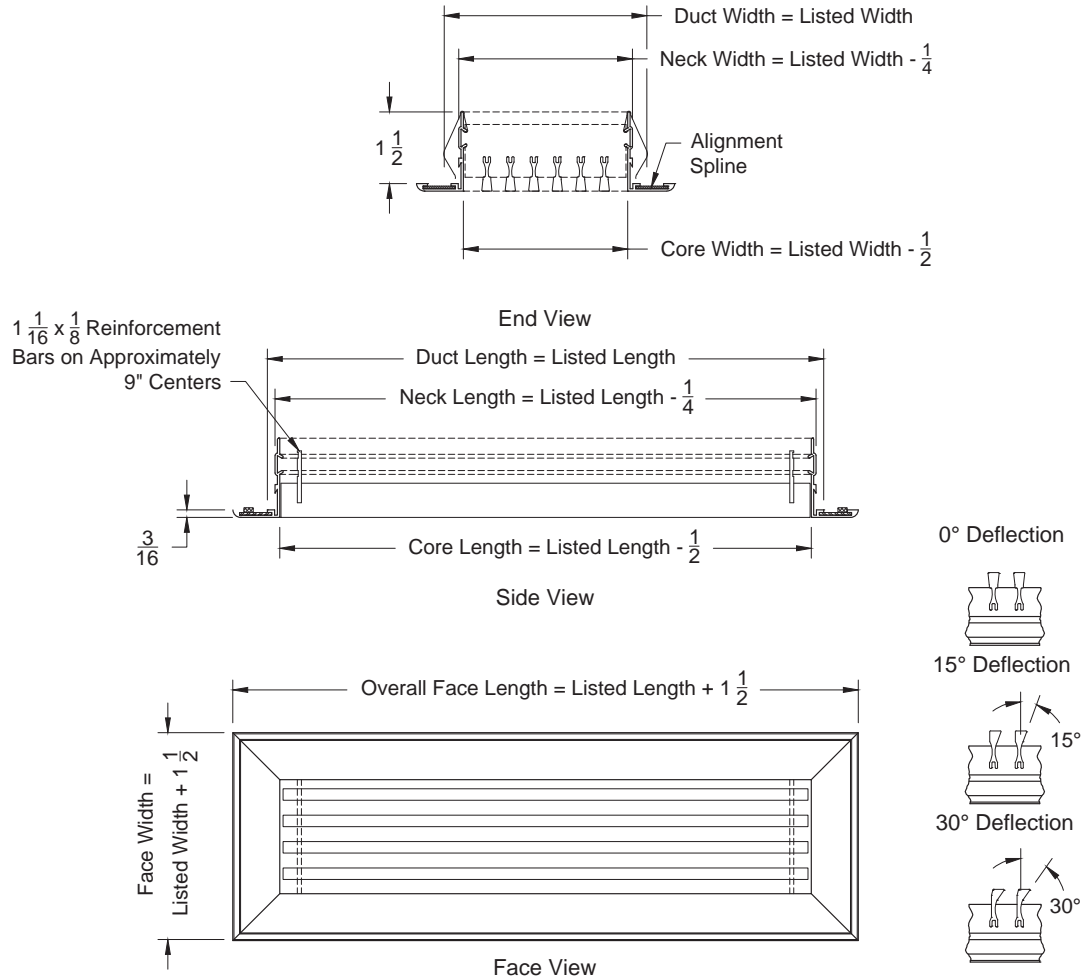
Performance Specification

The manufacturer shall provide published performance data. Data shall be tested in accordance to ANSI/ASHRAE Standard 70- 2006.

MODEL XG-2000

Model: XG-2000 7/32" Bars on 1/2" Centers - 0°, 15°, and 30° Deflection - Flush Surface Mount

XG-2000 - Flush Surface Mount



1. Available Finishes

Standard Finish:
 01 White
 Optional Finish No Extra Charge
 24 Mill Finish
 Optional Finish (extra charge)
 02 Satin Silver
 03 Black
 04 Clear Anodized
 28 Special/Setup Charge

2. Available Accessories

L9 - Equalizing Grid
 DA - Aluminum Damper

3. Available Options

AD1 - One Access Door
 AD2 - Two Access Doors
 FSM - Face Screw Mounted
 PP - Pencil Proof Core
 Dampers:
 Widths 4" and larger use an
 opposed blade damper
 Widths 3-1/2" and smaller
 use a flapper style damper

4. Construction Details

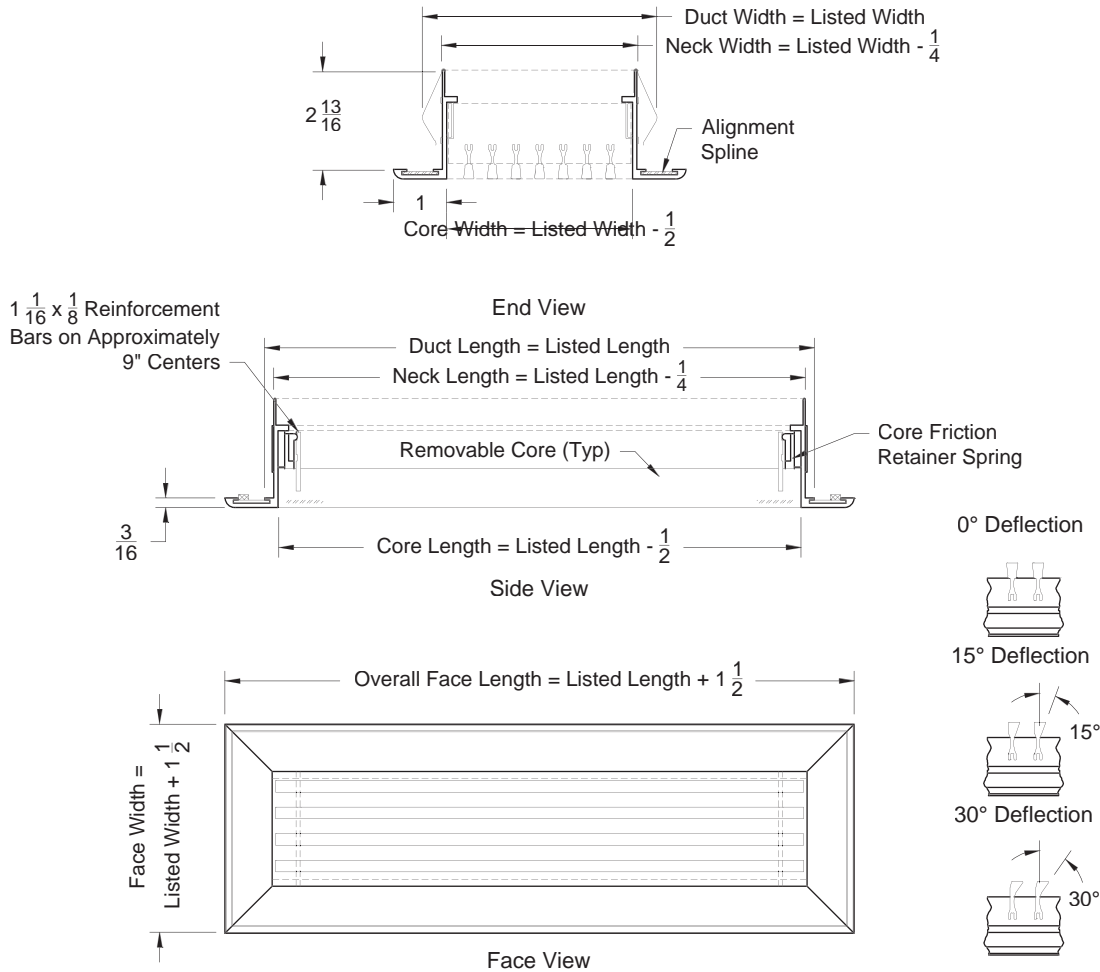
- 0, 15, 30 degree deflection available
- Extruded Aluminum construction
- Widths available in 1/2" increments from 1 1/2" to 24"
- Lengths available in single pieces up to 72".
- Longer sections are available only as separate non-connected sections.

All Dimensions $\pm 1/16"$

MODEL XG-2000F

Model: XG-2000F 7/32" Bars on 1/2" Centers - 0°, 15°, and 30° Deflection

XG-2000F - Floor or Wall or Sill Mounting

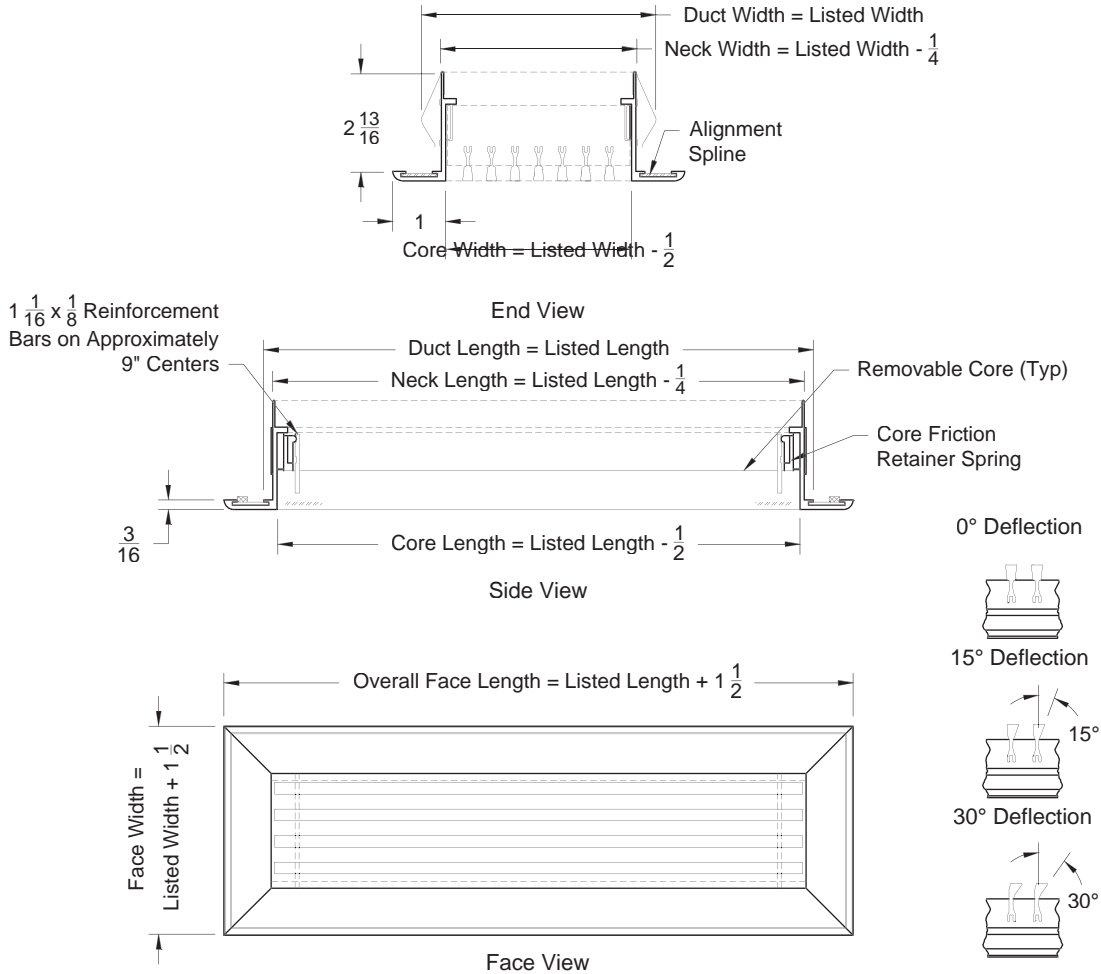


1. Available Finishes	2. Available Accessories	3. Available Options	4. Construction Details
Standard Finish: 01 White Optional Finish (extra charge) 02 Satin Silver 04 Clear Anodized 03 Black 28 - Special / Setup Charge Optional Finish (no charge) 24 Mill Finish	L9 - Equalizing Grid DA - Aluminum Damper	AD1 - One Access Door AD2 - Two Access Doors FSM - Face Screw Mounting PP - Pencil Proof Core Dampers: Widths 4" and larger use an opposed blade damper Widths 3-1/2" and smaller use a flapper style damper	<ul style="list-style-type: none"> • 0, 15, 30 degree deflection available • Extruded Aluminum construction • 12" Maximum Width
All Dimensions $\pm 1/16"$			

MODEL XG-2000F

Model: XG-2000F 17/64" Pencil Proof Bars on 1/2" Centers - 0°, 15°, and 30° Deflection

XG-2000FP - Floor, Wall Sill Pencil Proof

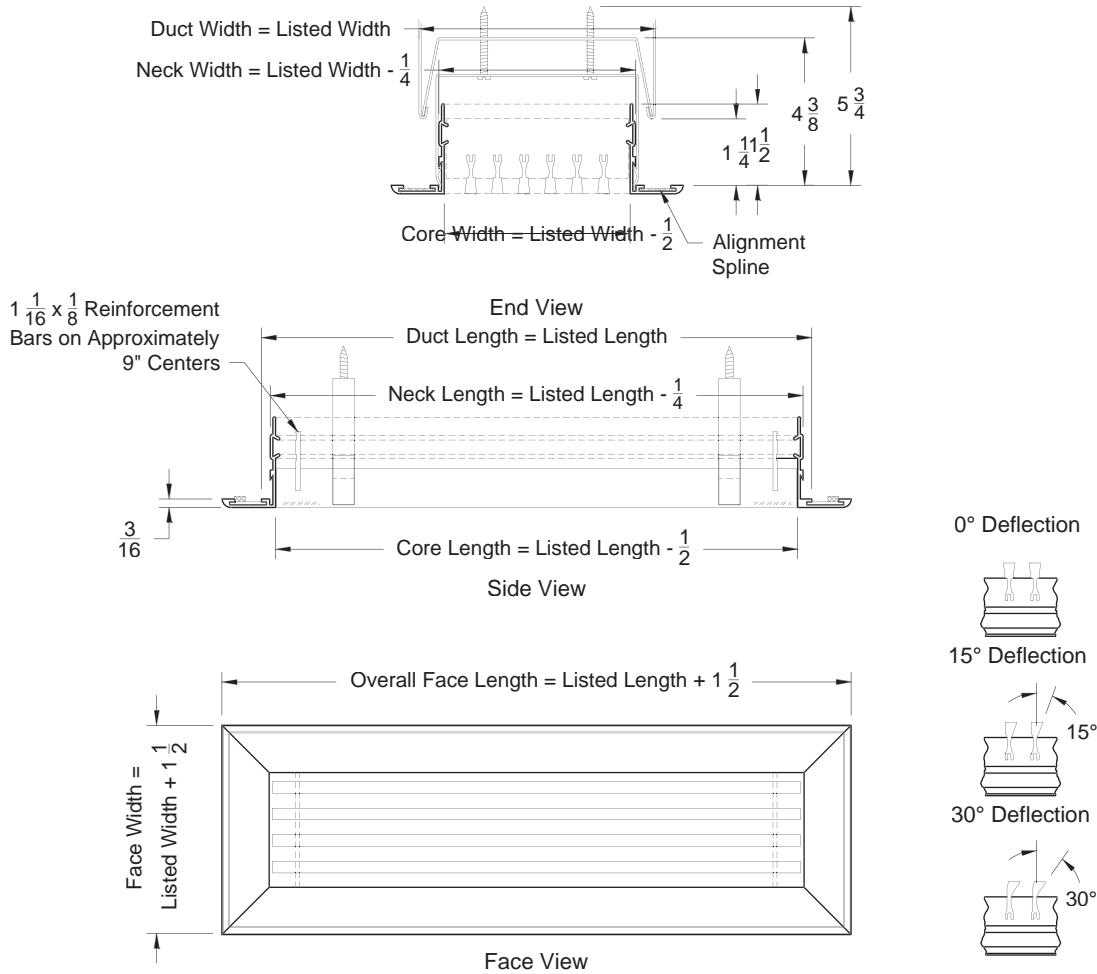


1. Available Finishes	2. Available Accessories	3. Available Options	4. Construction Details
Standard Finish: 01 White Optional Finish (extra charge) 02 Satin Silver 04 Clear Anodized 03 Black 28 - Special / Setup Charge Optional Finish (no charge) 24 Mill Finish	L9 - Equalizing Grid DA - Aluminum Damper	AD1 - One Access Door AD2 - Two Access Doors FSM - Face Screw Mounting PP - Pencil Proof Core Dampers: Widths 4" and larger use an opposed blade damper Widths 3-1/2" and smaller use a flapper style damper	<ul style="list-style-type: none"> • 0, 15, 30 degree deflection available • Extruded Aluminum construction • 12" Maximum Width
All Dimensions $\pm 1/16"$			

MODEL XG-2000H

Model: XG-2000H 7/32" Bars on 1/2" Centers - 0°, 15°, and 30° Deflection

XG-2000H - Concealed Mounting Hanger

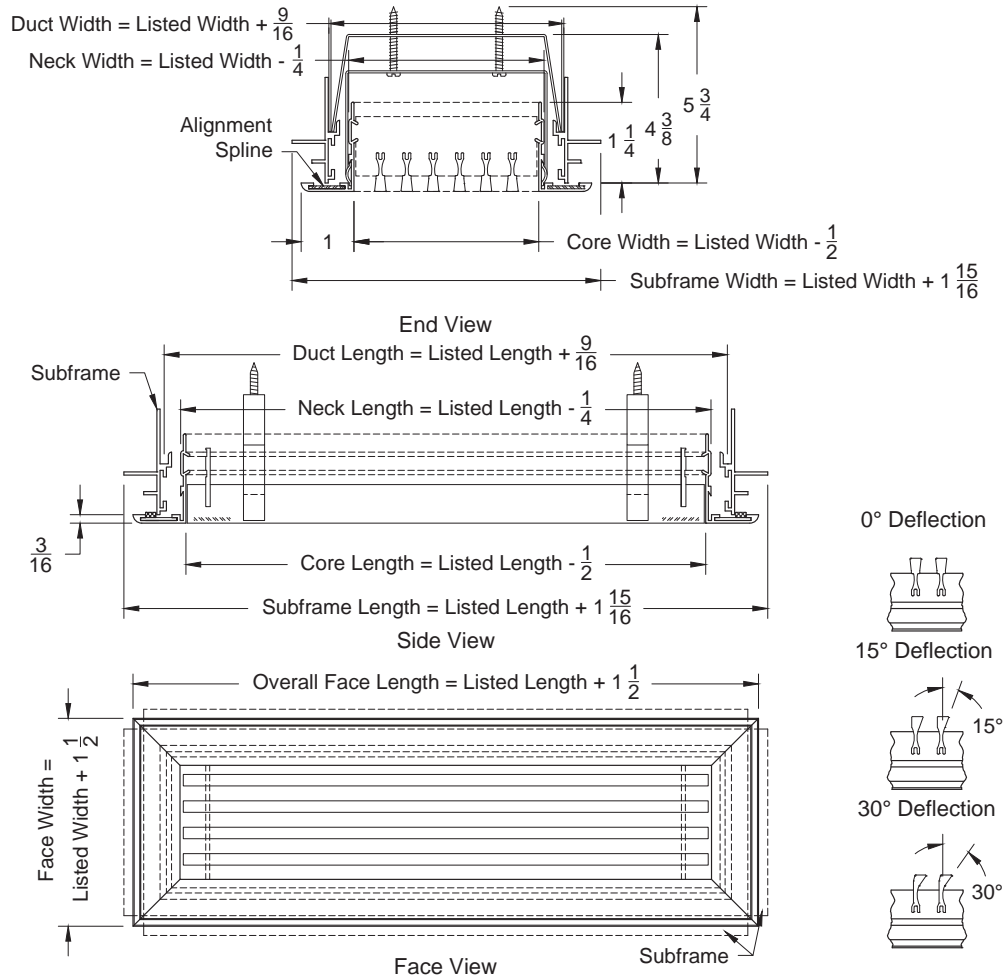


1. Available Finishes	2. Available Accessories	3. Available Options	4. Construction Details
Standard Finish: 01 White Optional Finish (extra charge) 02 Satin Silver 04 Clear Anodized 03 Black 28 - Special / Setup Charge Optional Finish (no charge) 24 Mill Finish	L9 - Equalizing Grid DA - Aluminum Damper	AD1 - One Access Door AD2 - Two Access Doors FSM - Face Screw Mounting PP - Pencil Proof Core Dampers: Widths 4" and larger use an opposed blade damper Widths 3-1/2" and smaller use a flapper style damper	<ul style="list-style-type: none"> • 0, 15, 30 degree deflection available • Extruded Aluminum construction • 12" Maximum Width
All Dimensions $\pm 1/16"$			

MODEL XG-2000HP

Model: XG-2000HP 7/32" Bars on 1/2" Centers - 0°, 15°, and 30° Deflection - Spline Subframe

XG-2000HP - Spline Subframe for Plaster Wall and Ceiling



1. Available Finishes

- Standard Finish:
 01 White
 Optional Finish No Extra Charge
 24 Mill Finish
 Optional Finish (extra charge)
 02 Satin Silver
 03 Black
 28 Special/Setup Charge

2. Available Accessories

- L9 - Equalizing Grid
 DA - Aluminum Damper

3. Available Options

- AD1 - One Access Door
 AD2 - Two Access Doors
 FSM - Face Screw Mounted
 PP - Pencil Proof Core
 Dampers:
 Widths 4" and larger use an
 opposed blade damper
 Widths 3-1/2" and smaller
 use a flapper style damper

4. Construction Details

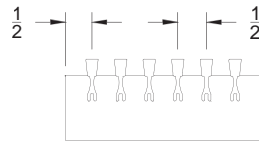
- 0, 15, 30 degree deflection available
- Extruded Aluminum construction
- Widths available in 1/2" increments from 1 1/2" to 24"
- Material Extruded Aluminum
- Lengths available in single pieces up to 72".
- Longer sections are available only as separate non-connected sections.

All Dimensions $\pm 1/16"$

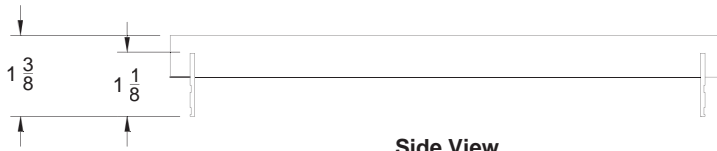
MODEL XG-2000CO

Model: XG-2000CO Core Only - 7/32" Bars on 1/2" Center - 0°, 15° and 30° Deflection

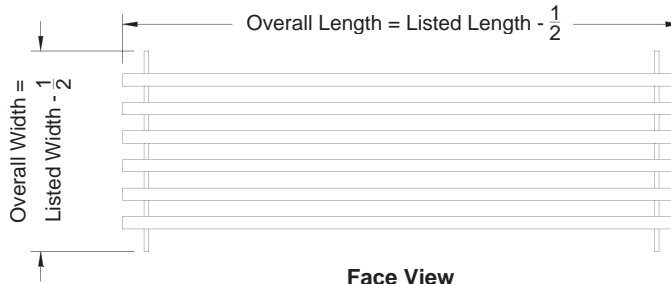
XG-2000CO - Core Only



End View



Side View

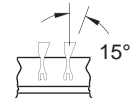


Face View

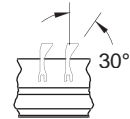
0° Deflection



15° Deflection



30° Deflection

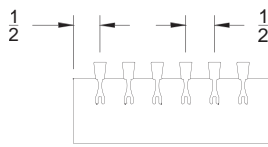


1. Available Finishes	2. Available Accessories	3. Available Options	4. Construction Details
<p>Standard Finish: 01 - White Optional Finish: (extra charge) 02 - Satin Silver 03 - Black 04 - Clear Anodized 28 - Special/Setup Charge Optional Finish (no charge) 04 Mill Finish</p>			<ul style="list-style-type: none"> • Widths available in 1/2" increments from 1 1/2" to 24" for series 2000-CO • Lengths available in single pieces to to 72" • Longer sections are available only as separate non-connected sections. For lengths less than 72" round up to the next listed size. <p>All Dimensions ±1/16"</p>

MODEL XG-2000PCO

Model: XG-2000PCO Pencil Proof Core Only - 17/64" Bars on 1/2" Spacing - 0°, 15° and 30° Deflection

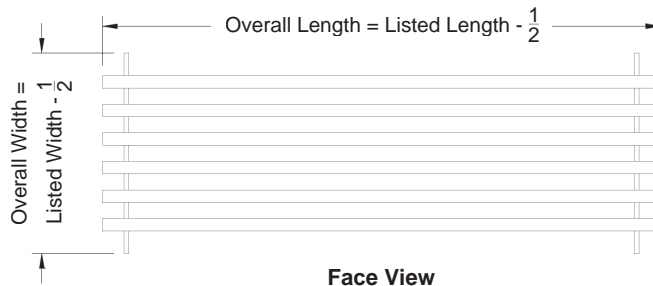
XG-2000PCO - Pencil Proof Core Only



End View



Side View

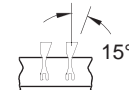


Face View

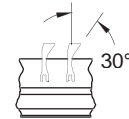
0° Deflection



15° Deflection



30° Deflection



1. Available Finishes

Standard Finish:
 01 - White
 Optional Finish: (extra charge)
 02 - Satin Silver
 03 - Black
 04 - Clear Anodized
 28 - Special/Setup Charge
 Optional Finish (no charge)
 04 Mill Finish

2. Available Accessories

3. Available Options

4. Construction Details

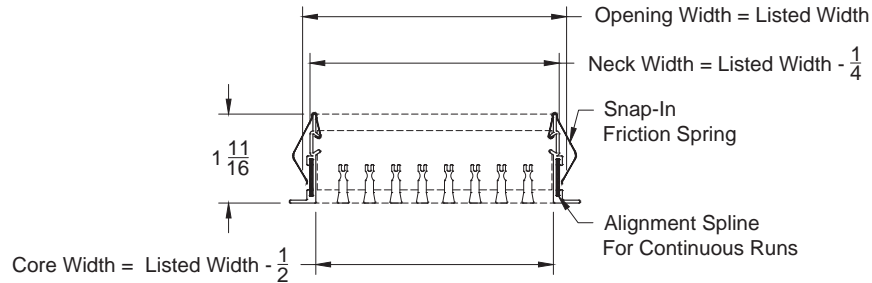
- Widths available in 1/2" increments from 1 1/2" to 24" for series 2000-CO
- Lengths available in single pieces to to 72"
- Longer sections are available only as separate non-connected sections. For lengths less than 72" round up to the next listed size.

All Dimensions $\pm 1/16"$

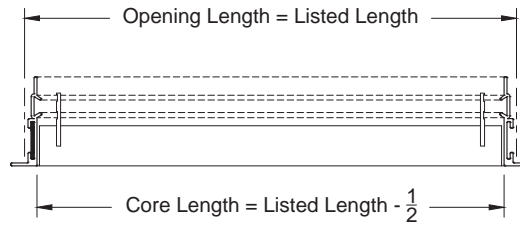
MODEL XG-2100

Model: XG-2100 7/32" Bars on 1/2" Center - 0°, 15° and 30° Blades - Wall Mounted

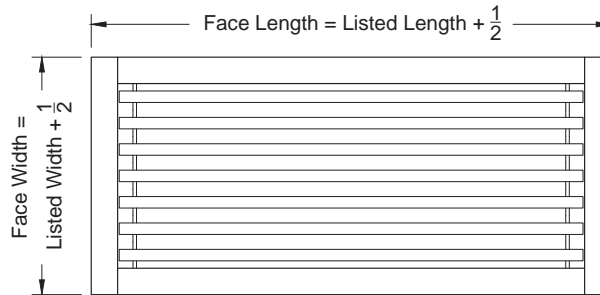
XG-2100 - Wall Mounted



End View



Side View

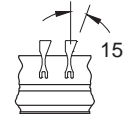


Face View

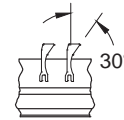
0° Deflection



15° Deflection



30° Deflection



1. Available Finishes

Standard Finish:
01 White
Optional Finish No Extra Charge
24 Mill Finish
Optional Finish:
02 Satin Silver
03 Black
04 Clear Anodized
28 Special/Setup Charge

2. Available Accessories

L9 - Equalizing Grid
DA - Aluminum Damper

3. Available Options

Dampers:
Widths 4" and larger use an
Opposed Blade Damper
Widths 3-1/2" and smaller
use a Flapper Style Damper

4. Construction Details

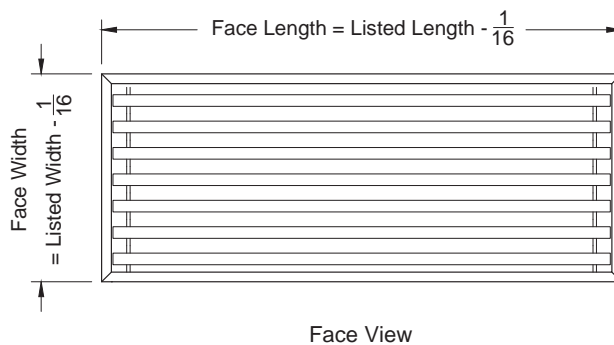
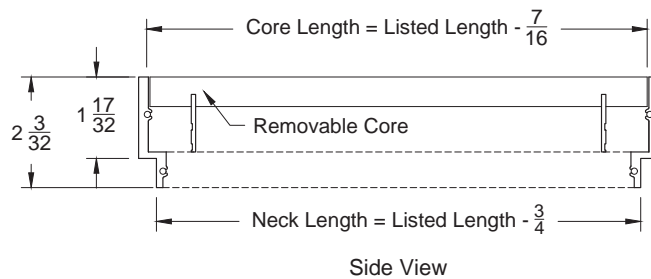
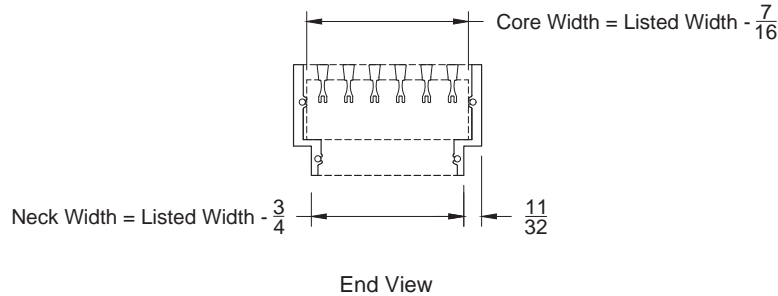
- Widths available in 1/2" increments from 1 1/2" to 24"
- Lengths available in single pieces up to 72"
- Longer sections are made by joining sections in the field with factory supplied alignment strips
- For length less than 72" round up to next listed size. No odd size charge applies

All Dimensions $\pm 1/16"$

MODEL XG-2200

Model: XG-2200F 7/32 Bars on 1/2" Spacing - 0°, 15° and 30° Blades

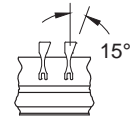
XG-2200F - Floor Frame



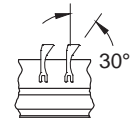
0° Deflection



15° Deflection



30° Deflection



1. Available Finishes

- Standard Finish:
 01 White
 Optional Finish (extra charge)
 02 Satin Silver
 03 Black
 04 Clear Anodized
 28 Special/Setup Charge

2. Available Accessories

3. Available Options

4. Construction Details

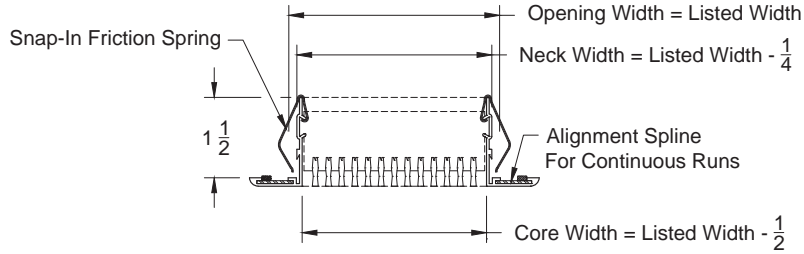
- Widths available in 1/2" increments from 1 1/2" to 8 for Series 2200F.
- Lengths available in single pieces up to 72".
- Longer sections are available only as separate non-connected sections.
- For Lengths less than 72" round up to next Listed size.

All Dimensions $\pm 1/16"$

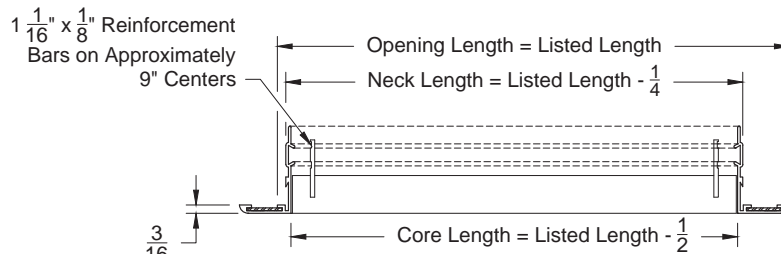
MODEL XG-2300

Model: XG-2300 1/8" Bars on 1/4" Center - 0°, 15° and 30° Deflection - Wall Mounted

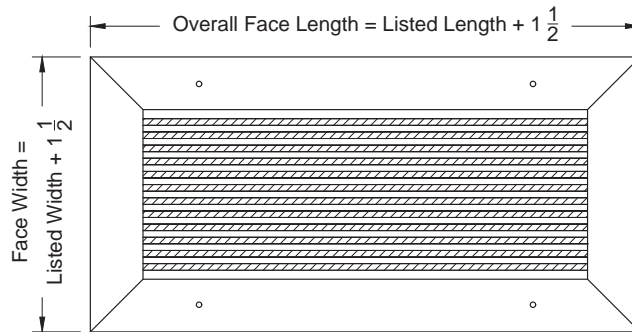
XG-2300 - Wall Mounted



End View



Side View

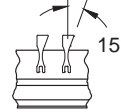


Face View

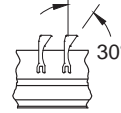
0° Deflection



15° Deflection



30° Deflection



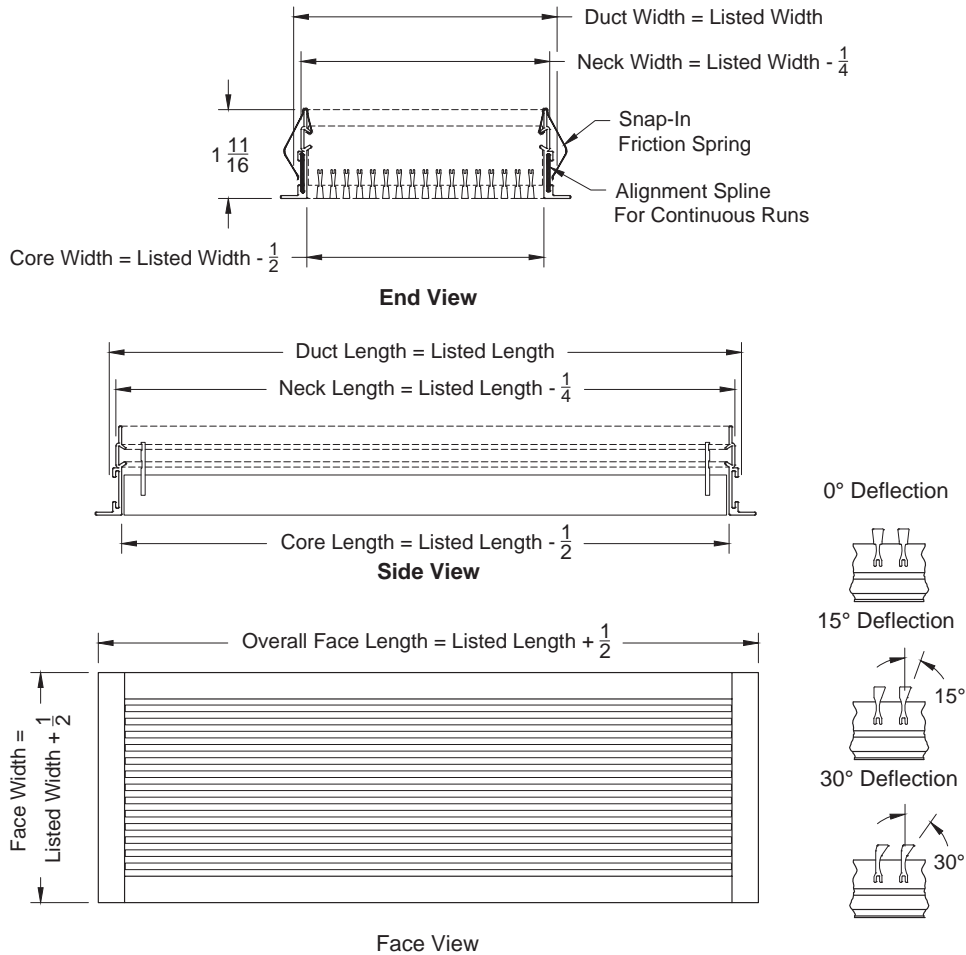
1. Available Finishes	2. Available Accessories	3. Available Options	4. Construction Details
<p>Standard Finish:</p> <ul style="list-style-type: none"> 01 White Optional Finish No Extra Charge 24 Mill Finish <p>Optional Finish:</p> <ul style="list-style-type: none"> 02 Satin Silver 03 Black 04 Clear Anodized 28 Special/Setup Charge 	<ul style="list-style-type: none"> L9 - Equalizing Grid DA - Aluminum Damper 	<p>FSM - Face Screw Mount</p> <p>Dampers:</p> <ul style="list-style-type: none"> Widths 4" and larger use an Opposed Blade Damper Widths 3-1/2" and smaller use a Flapper Style Damper 	<ul style="list-style-type: none"> ● 0, 15, 30 degree deflection available ● Extruded Aluminum construction ● Widths available in 1/2" increments from 1 1/2" to 24" ● Lengths available in single pieces up to 72". ● Longer sections are available only as separate non-connected sections.

All Dimensions $\pm 1/16$ "

MODEL XG-2400

Model: XG-2400 1/8" Bars on 1/4" Center - 0°, 15° and 30° Deflection - Wall Mounted

XG-2400 - Wall Mounted



1. Available Finishes

- Standard Finish:
 01 White
 Optional Finish (extra charge)
 02 Satin Silver
 03 Black
 04 Clear Anodized
 28 Special/Setup Charge

2. Available Accessories

- L9 - Equalizing Grid
 DA - Aluminum Damper

3. Available Options

4. Construction Details

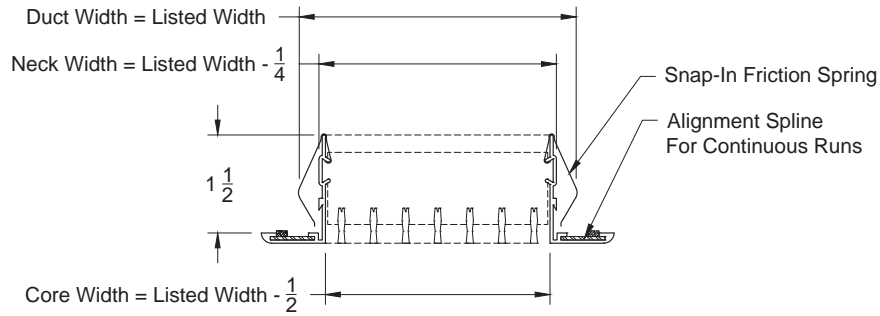
- 0, 15, 30 degree deflection available
- Extruded Aluminum construction
- Widths available in 1/2" increments from 1 1/2" to 24"
- Lengths available in single pieces up to 72".
- Longer sections are available only as separate non-connected sections.

All Dimensions $\pm 1/16"$

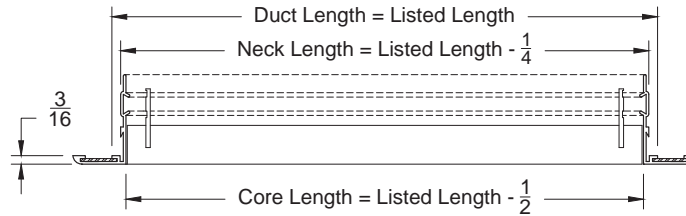
MODEL XG-2500

Model: XG-2500 1/8" Bars on 1/2" Center - 0°, 15° and 30° Deflection - Wall Mounted

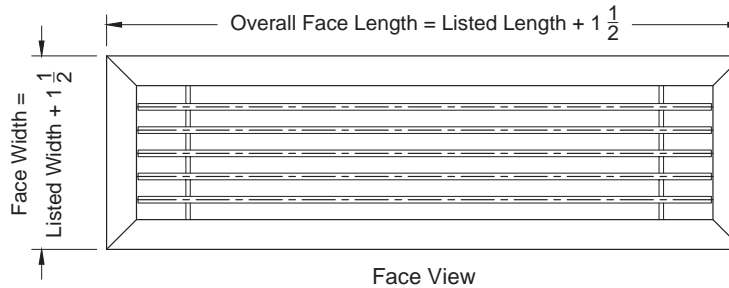
XG-2500 - Wall Mounted



Side View



Side View

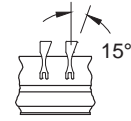


Face View

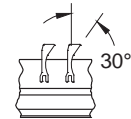
0° Deflection



15° Deflection



30° Deflection



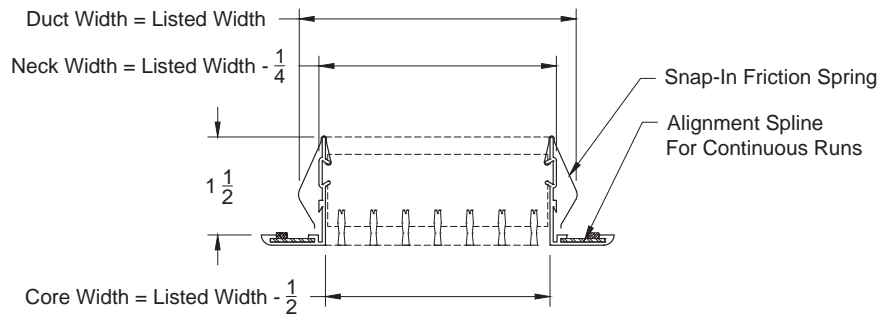
1. Available Finishes	2. Available Accessories	3. Available Options	4. Construction Details
<p>Standard Finish:</p> <ul style="list-style-type: none"> 01 White Optional Finish No Extra Charge 24 Mill Finish <p>Optional Finish:</p> <ul style="list-style-type: none"> 02 Satin Silver 03 Black 04 Clear Anodized 28 Special/Setup Charge 	<ul style="list-style-type: none"> L9 - Equalizing Grid DA - Aluminum Damper 	<p>Dampers:</p> <ul style="list-style-type: none"> Widths 4" and larger use an Opposed Blade Damper Widths 3-1/2" and smaller use a Flapper Style Damper <p>FSM - Face Screw Mount</p>	<ul style="list-style-type: none"> ● 0, 15, 30 degree deflection available ● Extruded Aluminum construction ● Widths available in 1/2" increments from 1 1/2" to 24" ● Lengths available in single pieces up to 72". ● Longer sections are available only as separate non-connected sections.

All Dimensions $\pm 1/16"$

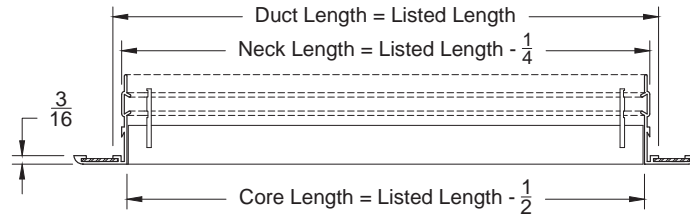
MODEL XG-2500

Model: XG-2500 1/8" Bars on 1/2" Center - 0°, 15° and 30° Deflection - Wall Mounted

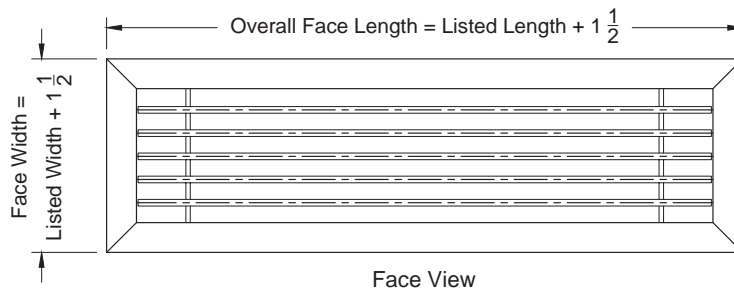
XG-2500 - Wall Mounted



Side View



Side View

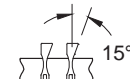


Face View

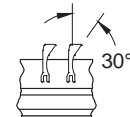
0° Deflection



15° Deflection



30° Deflection



1. Available Finishes

- Standard Finish:
- 01 White
- Optional Finish No Extra Charge
- 24 Mill Finish
- Optional Finish:
- 02 Satin Silver
 - 03 Black
 - 04 Clear Anodized
 - 28 Special/Setup Charge

2. Available Accessories

- L9 - Equalizing Grid
- DA - Aluminum Damper

3. Available Options

- Dampers:
- Widths 4" and larger use an Opposed Blade Damper
 - Widths 3-1/2" and smaller use a Flapper Style Damper
- FSM - Face Screw Mount

4. Construction Details

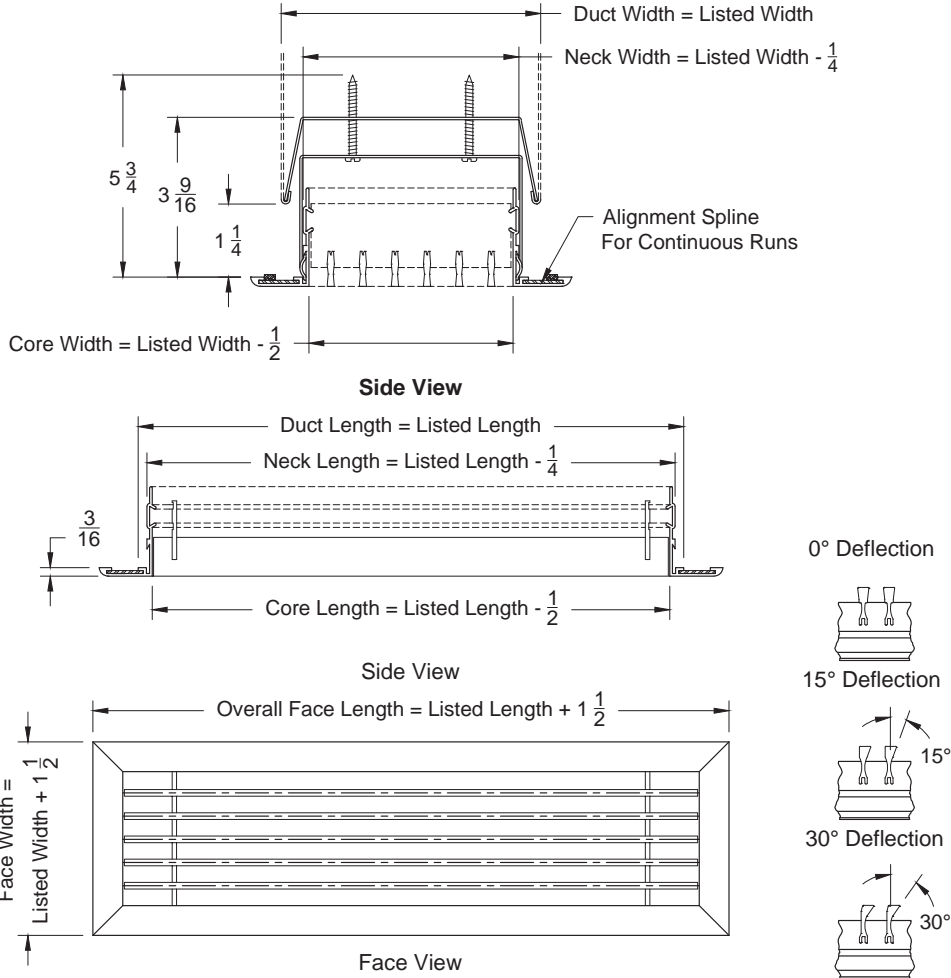
- 0, 15, 30 degree deflection available
- Extruded Aluminum construction
- Widths available in 1/2" increments from 1 1/2" to 24"
- Lengths available in single pieces up to 72".
- Longer sections are available only as separate non-connected sections.

All Dimensions $\pm 1/16$ "

MODEL XG-2500H

Model: XG-2500H 1/8" Bars on 1/2" Centers - 0°, 15° and 30° Deflection - Concealed Mounted

XG-2500H - Concealed Mounted



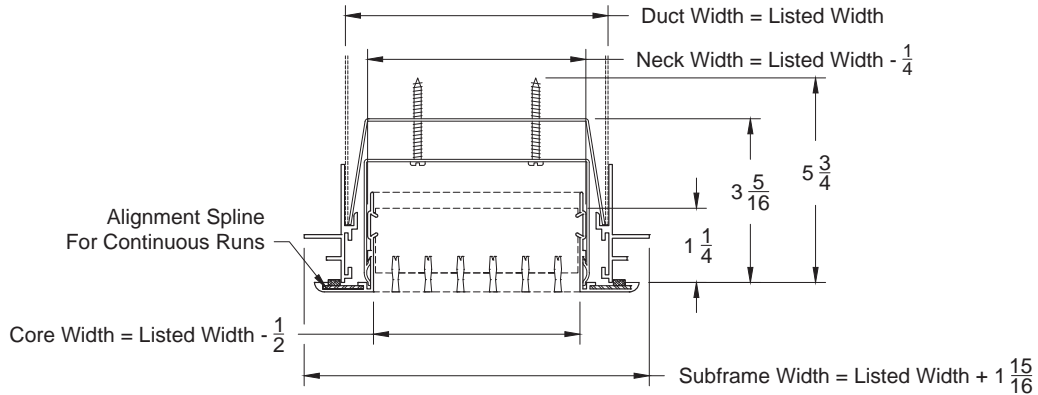
1. Available Finishes	2. Available Accessories	3. Available Options	4. Construction Details
Standard Finish: 01 White Optional Finish No Extra Charge 24 Mill Finish Optional Finish: 02 Satin Silver 03 Black 04 Clear Anodized 28 Special/Setup Charge	L9 - Equalizing Grid DA - Aluminum Damper	Dampers: Widths 4" and larger use an Opposed Blade Damper Widths 3-1/2" and smaller use a Flapper Style Damper FSM - Face Screw Mount	<ul style="list-style-type: none"> • 0, 15, 30 degree deflection available • Extruded Aluminum construction • Widths available in 1/2" increments from 1 1/2" to 24" • Lengths available in single pieces up to 72". • Longer sections are available only as separate non-connected sections.

All Dimensions $\pm 1/16"$

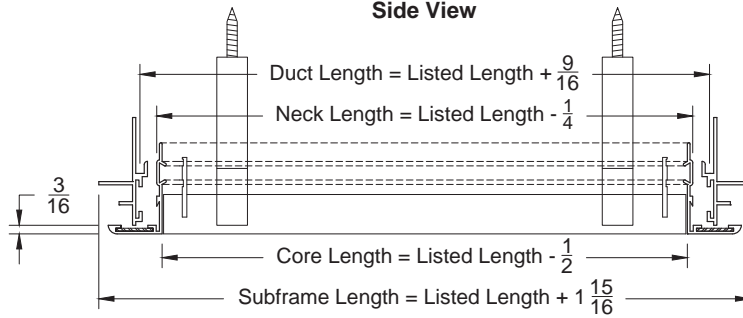
MODEL XG-2500HP

Model: XG-2500HP 1/8" Bars on 1/2" Center 0°, 15° and 30° Deflection - Concealed Mount

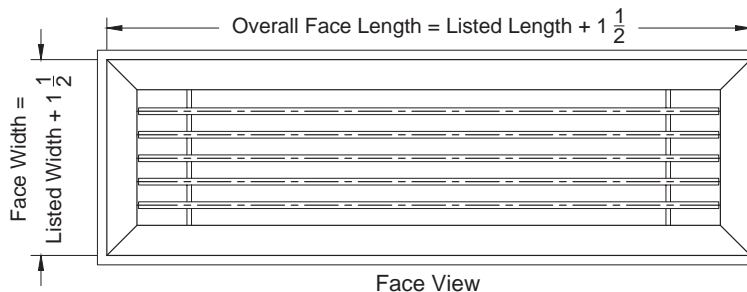
XG-2500HP - Concealed Spline Subframe



Side View



Side View

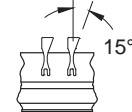


Face View

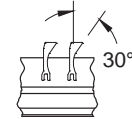
0° Deflection



15° Deflection



30° Deflection



1. Available Finishes

Standard Finish:
 01 White
 Optional Finish No Extra Charge
 24 Mill Finish
 Optional Finish:
 02 Satin Silver
 03 Black
 28 Special/Setup Charge

2. Available Accessories

L9 - Equalizing Grid
 DA - Aluminum Damper

3. Available Options

Dampers:
 Widths 4" and larger use an
 Opposed Blade Damper
 Widths 3-1/2" and smaller
 use a Flapper Style Damper

FSM - Face Screw Mount

4. Construction Details

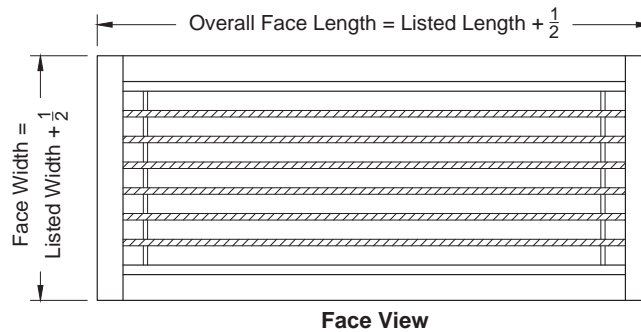
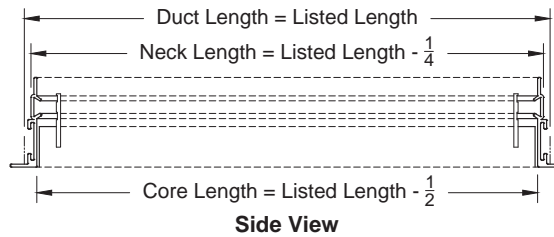
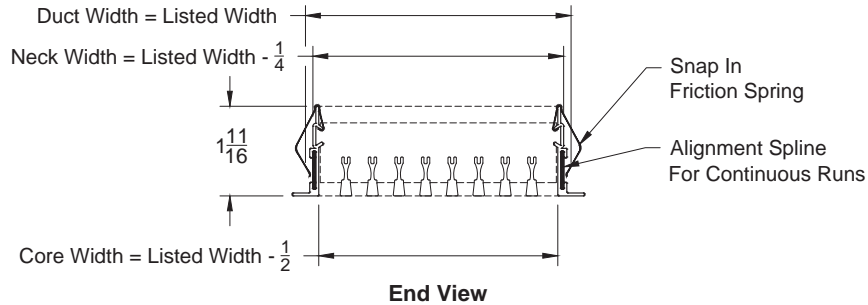
- 0, 15, 30 degree deflection available
- Extruded Aluminum construction
- Widths available in 1/2" increments from 1 1/2" to 24"
- Lengths available in single pieces up to 72".
- Longer sections are available only as separate non-connected sections.

All Dimensions $\pm 1/16"$

MODEL XG-2600

Model: XG-2600 1/8" Bars on 1/2" Center 0°, 15° and 30° Deflection - Wall Mounted

XG-2600 - Wall Mounted



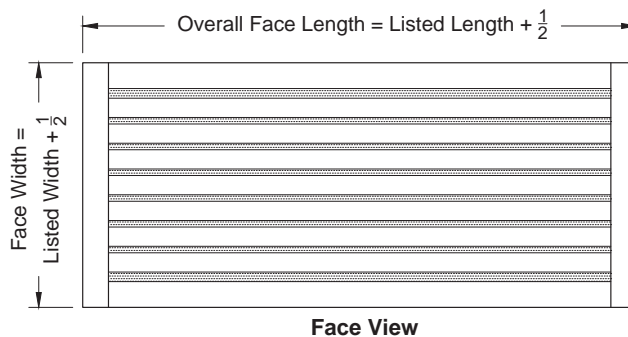
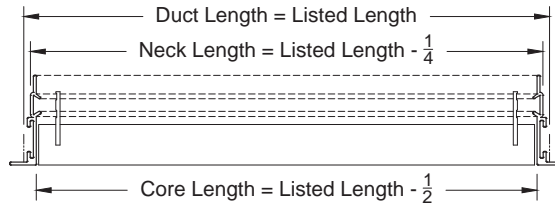
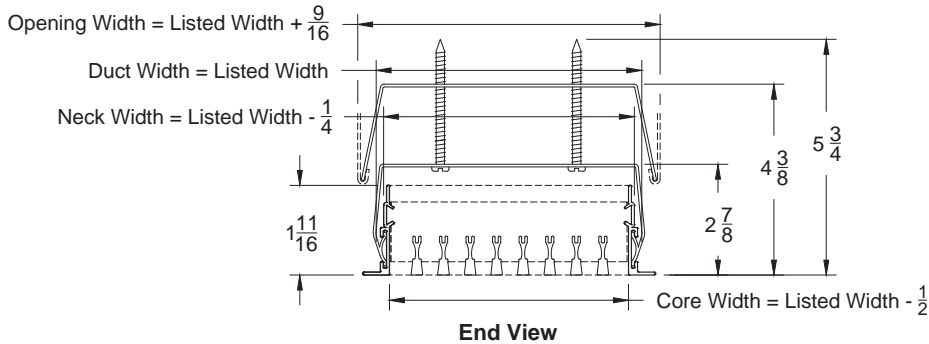
1. Available Finishes	2. Available Accessories	3. Available Options	4. Construction Details
Standard Finish: 01 White Optional Finish (extra charge) 02 Satin Silver 03 Black 04 Clear Anodized 28 Special/Setup Charge	L9 - Equalizing Grid DA - Aluminum Damper	Dampers: Widths 4" and larger use an Opposed Blade Damper Widths 3-1/2" and smaller use a Flapper Style Damper	<ul style="list-style-type: none"> • 0, 15, 30 degree deflection available • Extruded Aluminum construction • Widths available in 1/2" increments from 1 1/2" to 24" • Lengths available in single pieces up to 72". • Longer sections are available only as separate non-connected sections.

All Dimensions $\pm 1/16"$

MODEL XG-2600H

Model: XG-2600H 1/8" Bars on 1/2" Center - 0°, 15° and 30° Deflection - Concealed Mounted

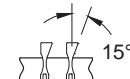
XG-2600H - Concealed Mounted



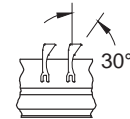
0° Deflection



15° Deflection



30° Deflection



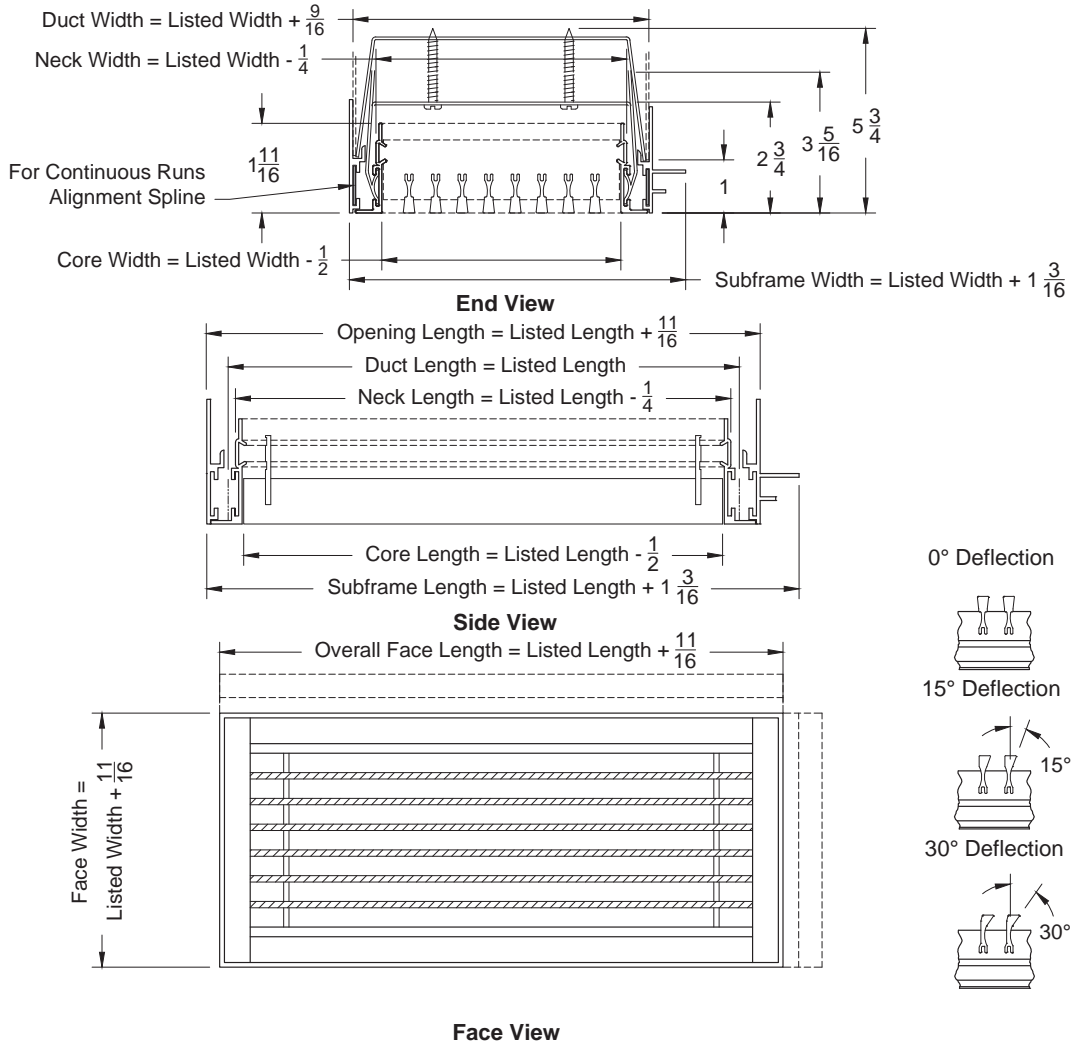
1. Available Finishes	2. Available Accessories	3. Available Options	4. Construction Details
Standard Finish: 01 White Optional Finish (extra charge) 02 Satin Silver 03 Black 04 Clear Anodized 28 Special/Setup Charge	L9 - Equalizing Grid DA - Aluminum Damper	Dampers: Widths 4" and larger use an Opposed Blade Damper Widths 3-1/2" and smaller use a Flapper Style Damper	<ul style="list-style-type: none"> • 0, 15, 30 degree deflection available • Extruded Aluminum construction • Widths available in 1/2" increments from 1 1/2" to 24" • Lengths available in single pieces up to 72". • Longer sections are available only as separate non-connected sections.

All Dimensions $\pm 1/16$ "

MODEL XG-2600HC

Model: XG-2600HC 1/8" Bars on 1/2" Centers - 0°, 15° and 30° Deflection - Concealed Mounted

XG-2600HC - Combination Narrow and Spline Subframe



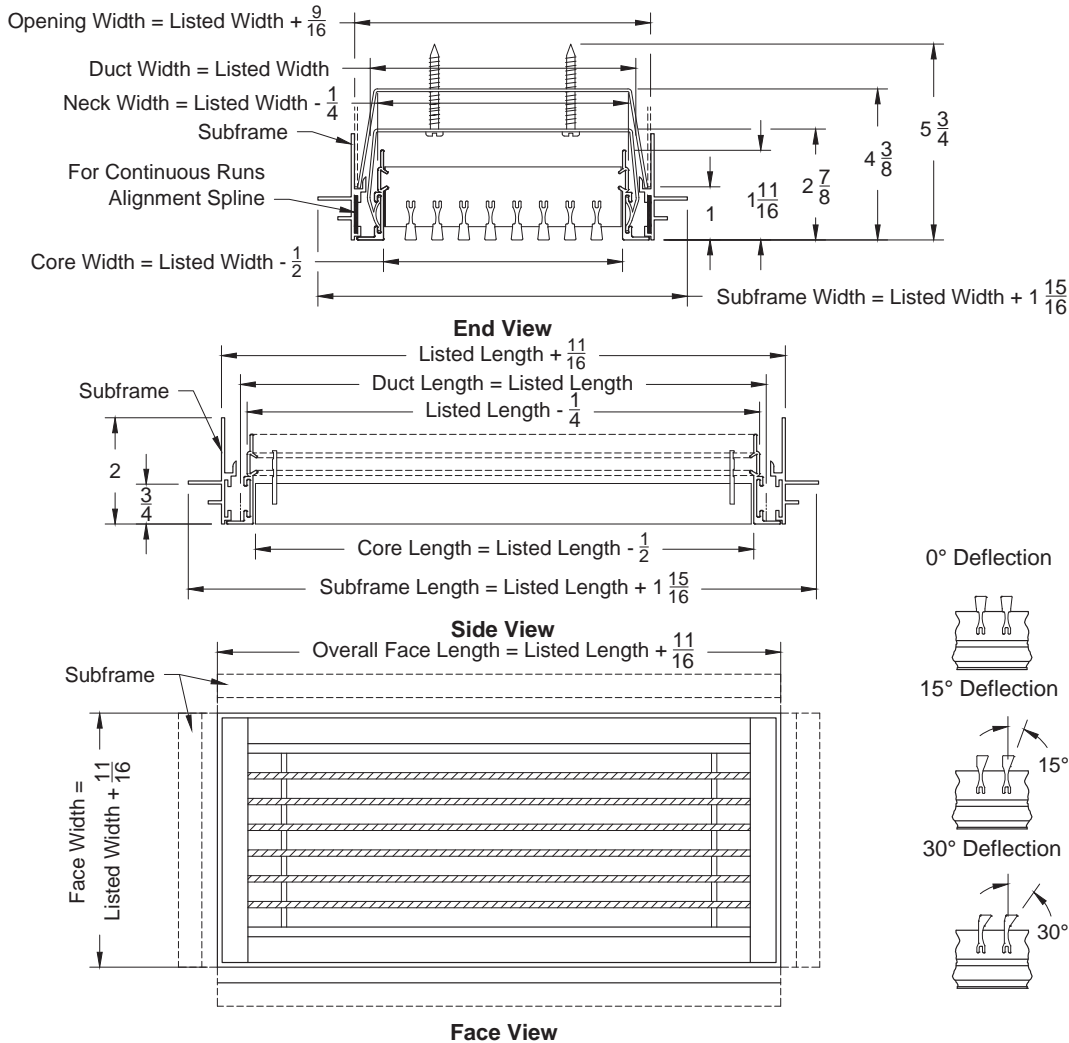
1. Available Finishes	2. Available Accessories	3. Available Options	4. Construction Details
Standard Finish: 01 White Optional Finish (extra charge) 02 Satin Silver 03 Black 28 Special/Setup Charge	L9 - Equalizing Grid DA - Aluminum Damper	Dampers: Widths 4" and larger use an Opposed Blade Damper Widths 3-1/2" and smaller use a Flapper Style Damper	<ul style="list-style-type: none"> • 0, 15, 30 degree deflection available • Extruded Aluminum construction • Widths available in 1/2" increments from 1 1/2" to 24" • Lengths available in single pieces up to 72". • Longer sections are available only as separate non-connected sections.

All Dimensions $\pm 1/16$ "

MODEL XG-2600HP

Model: XG-2600HP 1/8" Bars on 1/2" Center - 0°, 15° and 30° Deflection - Concealed Mount

XG-2600HP - Concealed Spline Subframe



1. Available Finishes

Standard Finish:
 01 White
 Optional Finish (extra charge)
 02 Satin Silver
 03 Black
 28 Special/Setup Charge

2. Available Accessories

L9 - Equalizing Grid
 DA - Aluminum Damper

3. Available Options

Dampers:
 Widths 4" and larger use an Opposed Blade Damper
 Widths 3-1/2" and smaller use a Flapper Style Damper

4. Construction Details

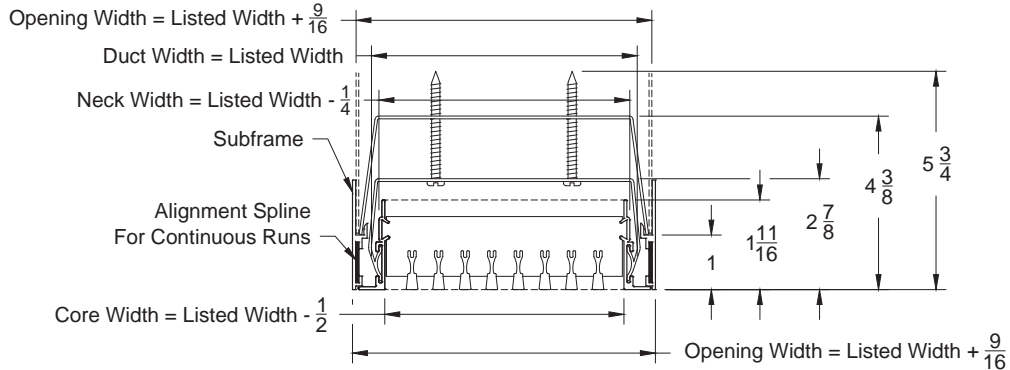
- 0, 15, 30 degree deflection available
- Extruded Aluminum construction
- Widths available in 1/2" increments from 1 1/2" to 24"
- Lengths available in single pieces up to 72".
- Longer sections are available only as separate non-connected sections.

All Dimensions $\pm 1/16"$

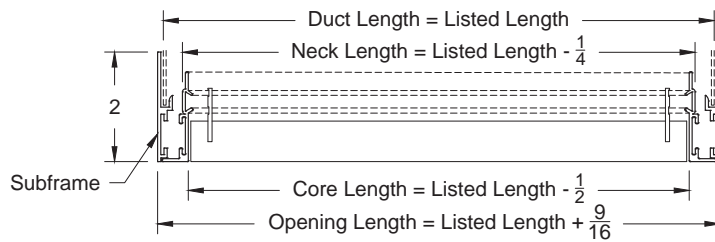
MODEL XG-2600HW

Model: XG-2600HW 1/8" Bars on 1 1/2" Center - 0°, 15° and 30° Deflection - Narrow Mounted

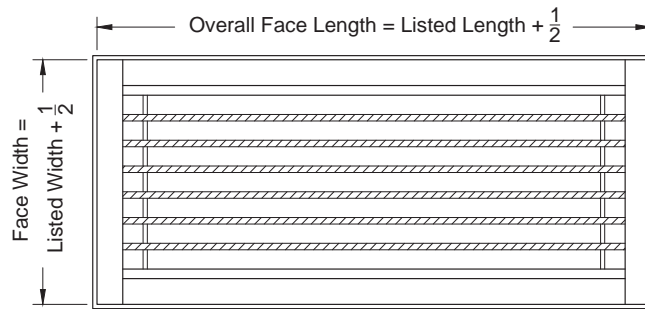
XG-2600HW - Narrow Mounted Subframe



End View



Side View

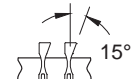


Face View

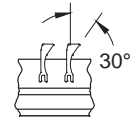
0° Deflection



15° Deflection



30° Deflection



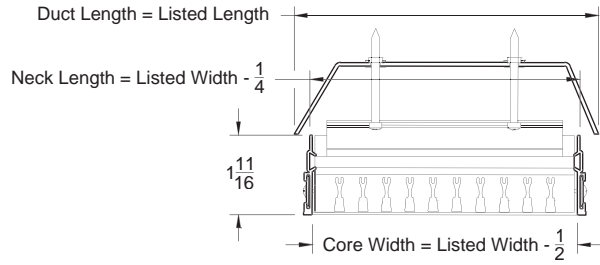
1. Available Finishes	2. Available Accessories	3. Available Options	4. Construction Details
Standard Finish: 01 White Optional Finish (extra charge) 02 Satin Silver 03 Black 28 Special/Setup Charge	L9 - Equalizing Grid DA - Aluminum Damper	Dampers: Widths 4" and larger use an Opposed Blade Damper Widths 3-1/2" and smaller use a Flapper Style Damper	<ul style="list-style-type: none"> • 0, 15, 30 degree deflection available • Extruded Aluminum construction • Widths available in 1/2" increments from 1 1/2" to 24" • Lengths available in single pieces up to 72". • Longer sections are available only as separate non-connected sections.

All Dimensions $\pm 1/16$ "

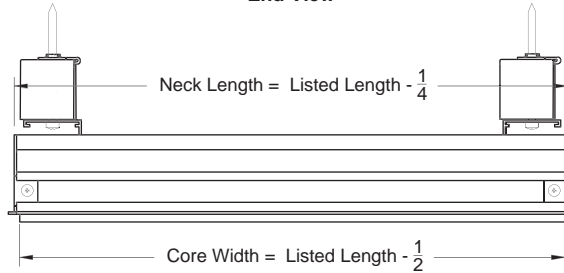
MODEL XG-2700H

Model: XG-2700H 1/8" Bars on 1/2" Center - 0°, 15° and 30° Deflection - Concealed Mount Ceiling/ Side Wall

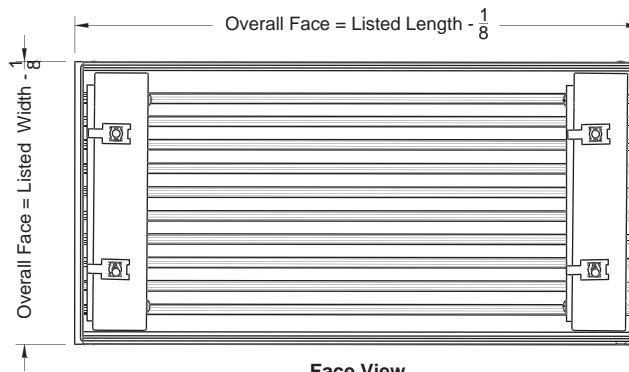
XG-2700H - Concealed Mounting



End View



Side View

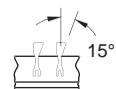


Face View

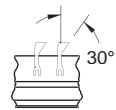
0° Deflection



15° Deflection



30° Deflection



1. Available Finishes

Standard Finish:
 01 White
 Optional Finish(Extra Charge)
 02 Satin Silver
 03 Black
 041 Clear Anodized
 28 - Special/Setup Charge

2. Available Accessories

3. Available Options

4. Construction Details

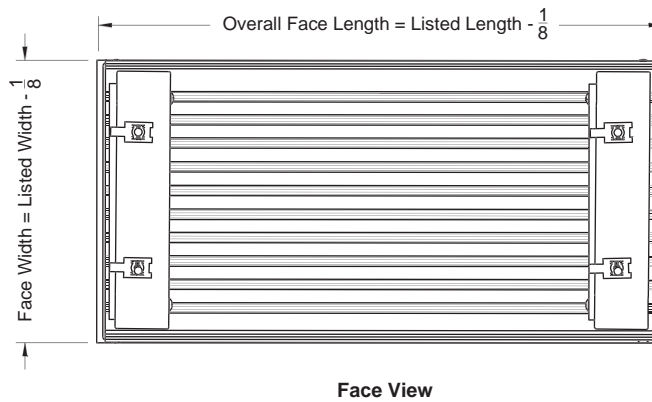
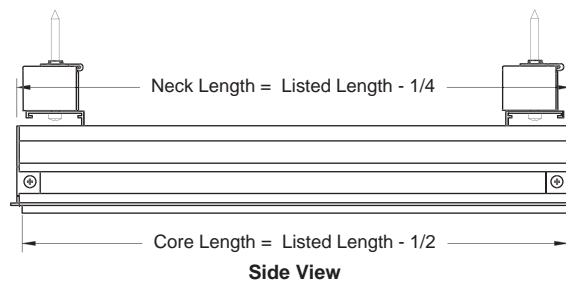
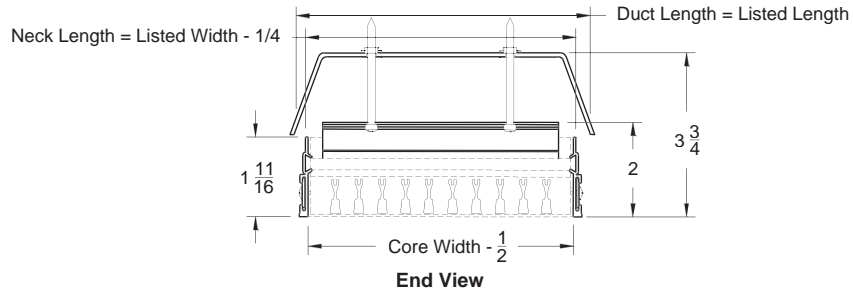
• Material Extruded Aluminum

All Dimensions $\pm 1/16$ "

MODEL XG-2800H

Model: XG-2800H 1/8" Bars on 1/4" Center - 0°, 15° and 30° Deflection Concealed Mounting Ceiling / Side Wall

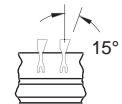
XG-2800H - Concealed Mounting Ceiling / Side Wall



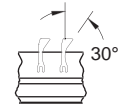
0° Deflection



15° Deflection



30° Deflection



1. Available Finishes	2. Available Accessories	3. Available Options	4. Construction Details
Standard Finish: 01 White Optional Finish (Extra Charge) 02 Satin Silver 03 Black 04 Clear Anodized 28 - Special/Setup Charge			<ul style="list-style-type: none"> • <p style="text-align: right;">All Dimensions ±1/16"</p>

MODEL XG-2000 NUMBER SPECIFICATION
MODEL XG-2000 (1 BORDER - 7/32 BARS - 1/2 CENTERS)

Model	Mounting	Length	Width	End Detail		Available Finishes	
XG-2000	Standard	6 - 72 (One Piece)	1 1/2 - 24 (1/2 Increments)	1EB	One End Border	01	White
XG-2015	H - Concealed Mtg W/ Hanger			2EB	Two End Borders	02	Satin Silver
XG-2030	HP - Spline Subframe / Concealed Mtg			00	Open Ends	03	Black
	F - Floor Mtg					04	Clear Anodized
	FP - Floor Mtg / Pencil Proof					24	Mill
						28	Custom Color

Available Accessories	
XG-DA	
XG-L9	Equalizing Grid

Available Options	
FSM	
Access Door	
(Access Door not available on floor units)	

MODEL XG-2000 CORE ONLY

Model	Length	Width	Available Finishes	
XG-2000CO	6 - 72 (One Piece)	1 1/2 - 24 (1/2 Increments)	01	White
XG-2015CO			02	Satin Silver
XG-2030CO			03	Black
			04	Clear Anodized
			24	Mill
			28	Custom Color

MODEL XG-2000 NUMBER SPECIFICATION
MODEL XG-2000 MITER CORNER

Model	Mounting	Width	Miter Style		Available Finishes	
XG-2000	MC - Standard Miter Corner	1 1/2 - 24 (1/2 Increments)	90	Horizontal 90 Degree	01	White
XG-2015	HMC - Concealed Mtg W/ Hanger Miter Corner		SPEC	Special Miter	02	Satin Silver
XG-2030	HPMC - Spline Subframe / Concealed Mtg Miter Corner		VI	Vertical Inside	03	Black
	FMC - Floor Mtg Miter Corner		V2	Vertical Outside	04	Clear Anodized
	FPMC - Floor Mtg / Pencil Proof Miter Corner				24	Mill
					28	Custom Color

MODEL XG-2100 NUMBER SPECIFICATION
MODEL XG-2100 (1/2 BORDER - 7/32 BARS - 1/2 CENTERS)

Model	Mounting	Length	Width	End Detail		Available Finishes	
XG-2100	Standard	6 - 72 (One Piece)	1 1/2 - 24 (1/2 Increments)	1EB	One End Border	01	White
XG-2115	H - Concealed Mtg W/ Hanger			2EB	Two End Borders	02	Satin Silver
XG-2130	HP - Spline Subframe / Concealed Mtg HW - Narrow Subframe / Concealed Mtg HC - Combo Subframe / Concealed Mtg			00	Open Ends	03	Black
						04	Clear Anodized
						24	Mill
						28	Custom Color

Available Accessories

XG-DA	
XG-L9	Equalizing Grid

Available Options

Access Door
(Access Door not available on floor units)

MODEL XG-2100 NUMBER SPECIFICATION
MODEL XG-2100 MITER CORNER

Model	Mounting	Width	Miter Style		Air Flow	
XG-2100	MC - Standard Miter Corner	1 1/2 - 24 (1/2 Increments)	90	Horizontal 90 Degree	00	0 Degree Deflection
XG-2115	HMC - Concealed Mtg W/ Hanger Miter Corner		SPEC	Special Miter	IN	Air Flow In
XG-2130	HPMC - Spline Subframe / Concealed Mtg Miter Corner HWMC - Narrow Subframe / Concealed Mtg Miter Corner HCMC - Combo Subframe / Concealed Mtg Miter Corner		VI	Vertical Inside	OT	Air Flow Out
			V2	Vertical Outside		

Available Finishes

01	White
02	Satin Silver
03	Black
04	Clear Anodized
24	Mill
28	Custom Color

MODEL XG-2200 NUMBER SPECIFICATION
MODEL XG-2200 (3/16 BORDER - 7/32 BARS - 1/2 CENTERS)

Model	Mounting	Length	Width	Finish		Accessories	
XG-2200	F - Floor Mtg	6 - 72	1 1/2 - 8	01	White	XG-L9	Equalizing Grid
XG-2215	FP - Floor Mtg W/Miter	(One Piece)	(1/2 Increments)	02	Satin Silver		
XG-2230				03	Black		
				04	Clear Anodized		
				24	Mill		
				28	Custom Color		

MODEL XG-2300 NUMBER SPECIFICATION
MODEL XG-2300 (1 BORDER - 1/8 BARS - 1/4 CENTERS)

Model	Mounting	Length	Width	End Detail		Available Finishes	
XG-2300	Standard	6 - 72 (One Piece)	1 1/2 - 24 (1/2 Increments)	1EB	One End Border	01	White
XG-2315	H - Concealed Mtg W/ Hanger			2EB	Two End Borders	02	Satin Silver
XG-2330	HP - Spline Subframe / Concealed Mtg F - Floor Mtg			00	Open Ends	03	Black
						04	Clear Anodized
						24	Mill
						28	Custom Color

Available Accessories	
XG-DA	
XG-L9	Equalizing Grid

Available Options	
FSM	
Access Door	
(Access Door not available on floor units)	

MODEL XG-2300 CORE ONLY

Model	Length	Width	Available Finishes	
XG-2300C0	6 - 72 (One Piece)	1 1/2 - 12 (1/2 Increments)	01	White
XG-2315C0			02	Satin Silver
XG-2330C0			03	Black
			04	Clear Anodized
			24	Mill
			28	Custom Color

MODEL XG-2300 MITER CORNER

Model	Mounting	Width	Miter Style		Air Flow	
XG-2300	MC - Standard Miter Corner	1 1/2 - 24 (1/2 Increments)	90	Horizontal 90 Degree	00	0 Degree Deflection
XG-2315	HMC - Concealed Mtg W/ Hanger Miter Corner		SPEC	Special Miter	IN	Air Flow In
XG-2330	HPMC - Spline Subframe / Concealed Mtg Miter Corner FMC - Floor Mtg Miter Corner FPMC - Floor Mtg / Pencil Proof Miter Corner		VI	Vertical Inside	OT	Air Flow Out
			V2	Vertical Outside		

Available Finishes	
01	White
02	Satin Silver
03	Black
04	Clear Anodized
24	Mill
28	Custom Color

MODEL XG-2400 NUMBER SPECIFICATION

MODEL XG-2400 (1/2 BORDER - 7/32 BARS - 1/2 CENTERS)

Model	Mounting	Length	Width	End Detail		Available Finishes	
XG-2400	Standard	6 - 72 (One Piece)	1 1/2 - 24 (1/2 Increments)	1EB	One End Border	01	White
XG-2415	H - Concealed Mtg W/ Hanger			2EB	Two End Borders	02	Satin Silver
XG-2430	HP - Spline Subframe / Concealed Mtg			00	Open Ends	03	Black
	HW - Narrow Subframe / Concealed Mtg					04	Clear Anodized
	HC - Combo Subframe / Concealed Mtg			24	Mill		
						28	Custom Color

Available Accessories	
XG-DA	
XG-L9	Equalizing Grid

Available Options	
FSM	
Access Door	
(Access Door not available on floor units)	

MODEL XG-2400 MITER CORNER

Model	Mounting	Width	Miter Style		Air Flow	
XG-2400	MC - Standard Miter Corner	1 1/2 - 24 (1/2 Increments)	90	Horizontal 90 Degree	00	0 Degree Deflection
XG-2415	HMC - Concealed Mtg W/ Hanger Miter Corner		SPEC	Special Miter	IN	Air Flow In
XG-2430	HPMC - Spline Subframe / Concealed Mtg Miter Corner		VI	Vertical Inside	OT	Air Flow Out
	HWMC - Narrow Subframe / Concealed Mtg Miter Corner		V2	Vertical Outside		
	HCMC - Combo Subframe / Concealed Mtg Miter Corner					

Available Finishes	
01	White
02	Satin Silver
03	Black
04	Clear Anodized
24	Mill
28	Custom Color

MODEL XG-2500 NUMBER SPECIFICATION
MODEL XG-2500 (1 BORDER - 7/32 BARS - 1/2 CENTERS)

Model	Mounting	Length	Width	End Detail		Available Finishes	
XG-2500	Standard	6 - 72 (One Piece)	1 1/2 - 24 (1/2 Increments)	1EB	One End Border	01	White
XG-2515	H - Concealed Mtg W/ Hanger			2EB	Two End Borders	02	Satin Silver
XG-2530	HP - Spline Subframe / Concealed Mtg			00	Open Ends	03	Black
						04	Clear Anodized
						24	Mill
						28	Custom Color

Available Accessories	
XG-DA	
XG-L9	Equalizing Grid

Available Options	
FSM	
Access Door	
(Access Door not available on floor units)	

MODEL XG-2500 MITER CORNER

Model	Mounting	Width	Miter Style		Air Flow	
XG-2500	MC - Standard Miter Corner	1 1/2 - 24 (1/2 Increments)	90	Horizontal 90 Degree	00	0 Degree Deflection
XG-2515	HMC - Concealed Mtg W/ Hanger Miter Corner		SPEC	Special Miter	IN	Air Flow In
XG-2530	HPMC - Spline Subframe / Concealed Mtg Miter Corner		VI	Vertical Inside	OT	Air Flow Out
			VO	Vertical Outside		

Available Finishes	
01	White
02	Satin Silver
03	Black
04	Clear Anodized
24	Mill
28	Custom Color

MODEL XG-2600 NUMBER SPECIFICATION

MODEL XG-2600 (1/2 BORDER - 1/8 BARS - 1/2 CENTERS)

Model	Mounting	Length	Width	End Detail		Available Finishes	
XG-2600	Standard	6 - 72 (One Piece)	1 1/2 - 24 (1/2 Increments)	1EB	One End Border	01	White
XG-2615	H - Concealed Mtg W/ Hanger			2EB	Two End Borders	02	Satin Silver
XG-2630	HP - Spline Subframe / Concealed Mtg			00	Open Ends	03	Black
	HW - Narrow Subframe / Concealed Mtg					04	Clear Anodized
	HC - Combo Subframe / Concealed Mtg					24	Mill
						28	Custom Color

MODEL XG-2600 MITER CORNER

Model	Mounting	Width	Miter Style		Air Flow	
XG-2600	HMC - Concealed Mtg W/ Hanger Miter Corner	1 1/2 - 24 (1/2 Increments)	90	Horizontal 90 Degree	00	0 Degree Deflection
XG-2615	HPMC - Spline Subframe / Concealed Mtg Miter Corner		SPEC	Special Miter	IN	Air Flow In
XG-2630	HVMC - Narrow Subframe / Concealed Mtg Miter Corner		VI	Vertical Inside	OT	Air Flow Out
	HCMC - Combo Subframe / Concealed Mtg Miter Corner		VO	Vertical Outside		

Available Finishes	
01	White
02	Satin Silver
03	Black
04	Clear Anodized
24	Mill
28	Custom Color

MODEL XG-2700 NUMBER SPECIFICATION
MODEL XG-2700 (3/16 BORDER - 1/8 BARS - 1/2 CENTERS)

Model	Mounting	Length	Width	Available Finishes	
XG-2700	H - Concealed Mtg W/ Hanger	6 - 72 (One Piece)	1 1/2 - 24 (1/2 Increments)	01	White
XG-2715				02	Satin Silver
XG-2730				03	Black
				04	Clear Anodized
				24	Mill
				28	Custom Color

MODEL XG-2800 NUMBER SPECIFICATION
MODEL XG-2800 (3/16 BORDER - 1/8 BARS - 1/4 CENTERS)

Model	Mounting	Length	Width	Available Finishes	
XG-2800	H - Concealed Mtg W/ Hanger	6 - 72 (One Piece)	1 1/2 - 24 (1/2 Increments)	01	White
XG-2815				02	Satin Silver
XG-2830				03	Black
				04	Clear Anodized
				24	Mill
				28	Custom Color

SERIES XG-2000 PERFORMANCE DATA
MODEL XG-2000, XG-2100, XG-2200 (0° AND 15° DEFLECTION)

Listed Width (in inches)	Outlet Velocity (V _k)	500	700	900	1000	1100	1200	1300
	Total Pressure (Pt)	.016	.031	.051	.062	.076	.090	.105
	Static Pressure (Ps)	.012	.024	.040	.050	.060	.072	.084
	NC	-	15	20	23	26	29	31
1 1/2 .062	Flow CFM / FT	31	43	56	62	68	74	81
	Throw Sill or Floor	6-9	9-13	10-14	11-16	13-18	13-19	14-20
	Throw Side Wall	8-11	11-16	13-18	14-20	15-22	17-24	17-25
2 .086	Flow CFM / FT	43	60	77	86	95	103	112
	Throw Sill or Floor	5-8	8-12	10-14	11-16	13-18	13-19	14-20
	Throw Side Wall	7-10	10-15	13-18	14-20	15-22	17-24	17-25
2 1/2 .110	Flow CFM / FT	55	77	99	110	121	132	143
	Throw Sill or Floor	6-9	9-13	11-16	13-18	13-19	15-21	15-22
	Throw Side Wall	8-11	11-16	14-20	16-23	17-24	18-26	20-28
3 .130	Flow CFM / FT	65	91	117	130	143	156	169
	Throw Sill or Floor	7-10	10-15	13-18	15-21	15-22	17-24	18-26
	Throw Side Wall	8-12	13-18	15-22	17-25	18-26	20-28	21-30
3 1/2 .152	Flow CFM / FT	76	106	137	152	167	182	198
	Throw Sill or Floor	7-10	10-15	13-18	15-21	15-22	17-24	18-26
	Throw Side Wall	9-13	13-18	16-23	18-26	20-26	21-30	21-30
4 .176	Flow CFM / FT	88	123	158	176	194	211	229
	Throw Sill or Floor	8-11	12-16	14-20	16-23	18-26	19-27	20-29
	Throw Side Wall	10-14	15-22	17-25	20-29	22-32	24-34	25-36
5 .220	Flow CFM / FT	110	154	198	220	242	264	286
	Throw Sill or Floor	8-12	13-18	15-21	17-24	18-26	19-27	21-30
	Throw Side Wall	10-15	15-22	19-27	22-31	23-33	24-35	27-38
6 .265	Flow CFM / FT	133	186	239	265	292	318	345
	Throw Sill or Floor	8-12	13-18	15-22	17-25	18-26	20-28	21-30
	Throw Side Wall	10-15	15-22	19-27	22-31	23-33	24-35	27-38
8 .356	Flow CFM / FT	178	249	320	356	392		
	Throw Sill or Floor	10-14	13-19	15-22	18-26	19-27		
	Throw Side Wall	12-17	17-24	20-28	23-33	24-34		
10 .446	Flow CFM / FT	223	312	401	446			
	Throw Sill or Floor	10-15	15-22	18-26	21-30			
	Throw Side Wall	13-19	20-28	23-33	26-37			
12 .536	Flow CFM / FT	268	375	482				
	Throw Sill or Floor	12-17	22-31	21-33				
	Throw Side Wall	15-21	24-35	27-38				

SERIES XG-2000 PERFORMANCE DATA
MODEL XG-2000, XG-2100, XG-2200 (30° DEFLECTION)

Listed Width (in inches)	Outlet Velocity (V _k)	500	700	900	1000	1100	1200	1300
	Total Pressure (Pt)	.020	.040	.067	.081	.100	.119	.139
	Static Pressure (Ps)	.017	.034	.056	.070	.084	.100	.118
	NC	15	20	25	28	31	34	36
1 1/2 .062	Flow CFM / FT	35	49	64	71	78	84	92
	Throw Sill or Floor	5-8	8-12	10-14	11-16	13-18	13-19	14-20
	Throw Side Wall	7-9	10-14	12-16	14-20	15-22	17-24	17-25
2 .086	Flow CFM / FT	49	68	88	98	108	118	128
	Throw Sill or Floor	6-9	9-13	10-14	11-16	13-18	13-19	14-20
	Throw Side Wall	8-10	10-15	13-18	15-21	16-23	17-27	18-26
2 1/2 .110	Flow CFM / FT	63	88	113	126	138	151	163
	Throw Sill or Floor	6-9	9-13	11-16	13-18	13-19	15-21	15-22
	Throw Side Wall	8-11	11-16	14-20	16-23	17-24	18-26	20-28
3 .130	Flow CFM / FT	74	104	133	148	163	178	193
	Throw Sill or Floor	7-10	10-14	13-18	15-21	15-22	17-24	18-26
	Throw Side Wall	8-12	13-18	15-22	17-25	18-26	20-28	21-30
3 1/2 .152	Flow CFM / FT	87	121	156	173	191	208	226
	Throw Sill or Floor	7-10	10-15	13-18	14-20	15-21	15-22	17-24
	Throw Side Wall	8-12	13-19	16-23	18-26	20-28	21-30	22-32
4 .176	Flow CFM / FT	100	140	180	201	221	241	261
	Throw Sill or Floor	8-11	13-18	15-21	17-24	18-26	19-27	21-30
	Throw Side Wall	10-14	15-22	17-25	20-29	22-32	24-34	25-36
5 .220	Flow CFM / FT	126	176	226	251	276	301	326
	Throw Sill or Floor	8-12	13-18	15-22	17-25	18-26	20-28	21-30
	Throw Side Wall	10-15	15-22	19-27	22-31	23-33	24-35	27-38
6 .265	Flow CFM / FT	151	212	272	302	333	363	393
	Throw Sill or Floor	9-13	13-18	15-22	17-25	18-26	20-28	21-30
	Throw Side Wall	10-15	15-22	19-27	22-31	23-33	24-35	27-38
8 .356	Flow CFM / FT	203	284	366	406	447		
	Throw Sill or Floor	10-14	13-19	15-22	18-26	19-27		
	Throw Side Wall	12-17	17-24	20-28	23-33	24-34		
10 .446	Flow CFM / FT	254	356	458	509			
	Throw Sill or Floor	10-15	15-22	18-26	21-30			
	Throw Side Wall	13-19	20-28	23-33	26-37			
12 .536	Flow CFM / FT	306	428	550				
	Throw Sill or Floor	12-17	22-31	21-30				
	Throw Side Wall	15-21	24-35	27-38				

PERFORMANCE NOTES FOR SERIES XG-2000

All data is tested in accordance with ANSI/ASHRAE 70-2006.

DEFINITION OF UNITS

CFM Cubic Feet per Minute (air)

VK Outlet Velocity

Pt Total pressure (inches of water column)

Ps Static pressure = $P_t - P_v$ (inches of water column)

NC Noise criterion, sound pressure level NC ratings are based on sound power level (Lw) re: 10^{-12} watts minus a 10dB room attenuation in all octave bands

Throw Total distance (in feet) covered by an airstream before its maximum velocity falls to a preselected terminal level (Vt) of 150 fpm and 50 fpm respectively.

SERIES XG-2300 PERFORMANCE DATA
MODEL XG-2300, XG-2400, XG-2800 (0° AND 15° DEFLECTION)

Listed Width (in inches)	Outlet Velocity (V _k)	500	700	900	1000	1100	1200	1300
	Total Pressure (Pt)	.016	.031	.051	.062	.076	.090	.105
	Static Pressure (Ps)	.012	.024	.040	.050	.061	.072	.084
	NC	0	20	23	26	29	31	36
1.5 .062	Flow CFM / FT	36	50	65	71	79	86	94
	Throw Sill or Floor	7-11	11-16	12-17	13-19	16-22	16-23	17-24
	Throw Side Wall	10-13	13-19	16-22	17-24	18-26	20-29	20-30
2 .086	Flow CFM / FT	48	68	88	97	108	117	127
	Throw Sill or Floor	6-10	10-14	12-17	13-19	16-22	16-23	17-24
	Throw Side Wall	8-12	12-18	16-22	17-24	18-26	20-29	20-30
2.5 .110	Flow CFM / FT	63	88	114	125	139	152	164
	Throw Sill or Floor	7-11	11-16	13-19	16-22	16-23	18-25	18-26
	Throw Side Wall	10-13	13-19	17-24	19-28	20-29	22-31	24-34
3 .130	Flow CFM / FT	74	105	135	148	164	179	194
	Throw Sill or Floor	8-12	12-17	16-22	17-24	18-25	18-26	20-29
	Throw Side Wall	10-14	16-22	18-26	20-30	22-31	24-34	25-36
3.5 .152	Flow CFM / FT	87	123	156	174	193	211	228
	Throw Sill or Floor	8-12	12-18	16-22	18-25	18-26	20-29	22-31
	Throw Side Wall	10-14	16-23	19-28	22-31	24-34	25-36	26-38
4 .176	Flow CFM / FT	100	141	181	200	221	242	262
	Throw Sill or Floor	10-13	16-22	17-24	19-28	22-31	23-32	24-35
	Throw Side Wall	12-17	18-26	20-30	24-35	26-38	29-41	30-43
5 .220	Flow CFM / FT	125	177	228	251	278	304	329
	Throw Sill or Floor	10-14	16-22	18-25	20-29	22-31	23-32	25-36
	Throw Side Wall	12-17	18-26	22-31	25-36	26-38	29-41	31-44
6 .265	Flow CFM / FT	157	213	274	302	335	366	396
	Throw Sill or Floor	10-14	16-22	18-26	20-30	22-31	24-34	25-36
	Throw Side Wall	12-18	18-26	23-32	26-37	28-40	30-43	32-46
8 .356	Flow CFM / FT	202	286	367	405	449		
	Throw Sill or Floor	12-17	16-23	18-26	22-31	23-33		
	Throw Side Wall	14-20	20-29	23-32	28-40	29-43		
10 .446	Flow CFM / FT	254	358	461	507			
	Throw Sill or Floor	12-18	18-26	22-31	25-36			
	Throw Side Wall	16-23	20-29	28-40	31-44			
12 .536	Flow CFM / FT	305	431	554				
	Throw Sill or Floor	14-20	20-28	25-36				
	Throw Side Wall	18-25	29-42	32-46				

SERIES XG-2300 PERFORMANCE DATA
MODEL XG-2300, XG-2400, XG-2800 (30° DEFLECTION)

Listed Width (in inches)	Outlet Velocity (V _k)	500	700	900	1000	1100	1200	1300
	Total Pressure (Pt)	.020	.038	.062	.076	.091	.110	.128
	Static Pressure (Ps)	.015	.029	.049	.061	.073	.088	.102
	NC	15	18	24	28	31	35	37
1.5 .062	Flow CFM / FT	31	44	56	63	69	75	81
	Throw Sill or Floor	7-11	11-16	12-17	13-19	16-22	16-23	17-24
	Throw Side Wall	10-13	13-19	16-22	17-24	18-26	20-29	20-30
2 .086	Flow CFM / FT	43	60	77	85	94	102	111
	Throw Sill or Floor	6-10	10-14	12-17	13-19	16-22	16-23	17-24
	Throw Side Wall	8-12	12-18	16-22	17-24	18-26	20-29	20-30
2.5 .110	Flow CFM / FT	55	77	99	110	121	132	143
	Throw Sill or Floor	7-11	11-16	13-19	16-22	16-23	18-25	18-26
	Throw Side Wall	10-13	13-19	17-24	19-28	20-29	22-31	24-34
3 .130	Flow CFM / FT	65	91	117	130	143	156	169
	Throw Sill or Floor	8-12	12-17	16-22	17-24	18-25	18-26	20-29
	Throw Side Wall	10-14	16-22	18-26	20-30	22-31	24-34	25-36
3.5 .152	Flow CFM / FT	76	107	137	153	168	183	198
	Throw Sill or Floor	8-12	12-18	16-22	18-25	18-26	20-29	22-31
	Throw Side Wall	10-14	16-22	18-26	20-31	22-31	24-34	25-36
4 .176	Flow CFM / FT	88	123	158	176	193	210	228
	Throw Sill or Floor	10-13	16-22	17-24	19-29	22-31	23-32	24-35
	Throw Side Wall	12-18	18-26	20-30	24-35	26-38	29-41	30-43
5 .220	Flow CFM / FT	110	154	198	220	242	264	286
	Throw Sill or Floor	10-14	16-22	18-25	20-29	22-30	23-32	25-36
	Throw Side Wall	12-18	18-26	22-31	25-36	26-38	29-41	31-44
6 .265	Flow CFM / FT	133	186	239	265	292	318	345
	Throw Sill or Floor	10-14	16-22	18-26	20-30	22-32	24-34	25-36
	Throw Side Wall	12-18	18-26	23-32	26-37	28-40	30-43	32-46
8 .356	Flow CFM / FT	178	249	320	356	391		
	Throw Sill or Floor	12-17	16-23	18-26	22-31	23-33		
	Throw Side Wall	14-20	20-29	24-34	28-40	29-43		
10 .446	Flow CFM / FT	223	312	401	445			
	Throw Sill or Floor	12-18	18-26	22-31	25-36			
	Throw Side Wall	16-23	24-34	28-40	31-44			
12 .536	Flow CFM / FT	268	375	482				
	Throw Sill or Floor	14-20	26-37	25-36				
	Throw Side Wall	18-25	29-42	32-46				

PERFORMANCE NOTES FOR SERIES XG-2300

All data is tested in accordance with ANSI/ASHRAE 70-2006.

DEFINITION OF UNITS

CFM Cubic Feet per Minute (air)

VK Outlet Velocity

Pt Total pressure (inches of water column)

Ps Static pressure = $P_t - P_v$ (inches of water column)

NC Noise criterion, sound pressure level NC ratings are based on sound power level (Lw) re: 10^{-12} watts minus a 10dB room attenuation in all octave bands

Throw Total distance (in feet) covered by an airstream before its maximum velocity falls to a preselected terminal level (Vt) of 150 fpm and 50 fpm respectively.

SERIES XG-2000 PERFORMANCE DATA
MODEL XG-2500, XG-2600, XG-2700 (0° AND 15° DEFLECTION)

Listed Width (in inches)	Outlet Velocity (V _k)	500	700	900	1000	1100	1200	1300
	Total Pressure (Pt)	.016	.031	.051	.062	.076	.090	.105
	Static Pressure (Ps)	.012	.024	.040	.050	.061	.072	.084
	NC	0	20	23	26	29	31	36
1.5 .062	Flow CFM / FT	36	50	65	71	79	86	94
	Throw Sill or Floor	7-11	11-16	12-17	13-19	16-22	16-23	17-24
	Throw Side Wall	10-13	13-19	16-22	17-24	18-26	20-29	20-30
2 .086	Flow CFM / FT	48	68	88	97	108	117	127
	Throw Sill or Floor	6-10	10-14	12-17	13-19	16-22	16-23	17-24
	Throw Side Wall	8-12	12-18	16-22	17-24	18-26	20-29	20-30
2.5 .110	Flow CFM / FT	63	88	114	125	139	152	164
	Throw Sill or Floor	7-11	11-16	13-19	16-22	16-23	18-25	18-26
	Throw Side Wall	10-13	13-19	17-24	19-28	20-29	22-31	24-34
3 .130	Flow CFM / FT	74	105	135	148	164	179	194
	Throw Sill or Floor	8-12	12-17	16-22	17-24	18-25	18-26	20-29
	Throw Side Wall	10-14	16-22	18-26	20-30	22-31	24-34	25-36
3.5 .152	Flow CFM / FT	87	123	156	174	193	211	228
	Throw Sill or Floor	8-12	12-18	16-22	18-25	18-26	20-29	22-31
	Throw Side Wall	10-14	16-23	19-28	22-31	24-34	25-36	26-38
4 .176	Flow CFM / FT	100	141	181	200	221	242	262
	Throw Sill or Floor	10-13	16-22	17-24	19-28	22-31	23-32	24-35
	Throw Side Wall	12-17	18-26	20-30	24-35	26-38	29-41	30-43
5 .220	Flow CFM / FT	125	177	228	251	278	304	329
	Throw Sill or Floor	10-14	16-22	18-25	20-29	22-31	23-32	25-36
	Throw Side Wall	12-17	18-26	22-31	25-36	26-38	29-41	31-44
6 .265	Flow CFM / FT	157	213	274	302	335	366	396
	Throw Sill or Floor	10-14	16-22	18-26	20-30	22-31	24-34	25-36
	Throw Side Wall	12-18	18-26	23-32	26-37	28-40	30-43	32-46
8 .356	Flow CFM / FT	202	286	367	405	449		
	Throw Sill or Floor	12-17	16-23	18-26	22-31	23-33		
	Throw Side Wall	14-20	20-29	23-32	28-40	29-43		
10 .446	Flow CFM / FT	254	358	461	507			
	Throw Sill or Floor	12-18	18-26	22-31	25-36			
	Throw Side Wall	16-23	20-29	28-40	31-44			
12 .536	Flow CFM / FT	305	431	554				
	Throw Sill or Floor	14-20	20-28	25-36				
	Throw Side Wall	18-25	29-42	32-46				

SERIES XG-2000 PERFORMANCE DATA
MODEL XG-2500, XG-2600, XG-2700 (30° DEFLECTION)

Listed Width (in inches)	Outlet Velocity (V _k)	500	700	900	1000	1100	1200	1300
	Total Pressure (Pt)	.020	.038	.062	.076	.091	.110	.128
	Static Pressure (Ps)	.015	.029	.049	.061	.073	.088	.102
	NC	15	18	24	28	31	35	37
1.5 .062	Flow CFM / FT	31	44	56	63	69	75	81
	Throw Sill or Floor	7-11	11-16	12-17	13-19	16-22	16-23	17-24
	Throw Side Wall	10-13	13-19	16-22	17-24	18-26	20-29	20-30
2 .086	Flow CFM / FT	43	60	77	85	94	102	111
	Throw Sill or Floor	6-10	10-14	12-17	13-19	16-22	16-23	17-24
	Throw Side Wall	8-12	12-18	16-22	17-24	18-26	20-29	20-30
2.5 .110	Flow CFM / FT	55	77	99	110	121	132	143
	Throw Sill or Floor	7-11	11-16	13-19	16-22	16-23	18-25	18-26
	Throw Side Wall	10-13	13-19	17-24	19-28	20-29	22-31	24-34
3 .130	Flow CFM / FT	65	91	117	130	143	156	169
	Throw Sill or Floor	8-12	12-17	16-22	17-24	18-25	18-26	20-29
	Throw Side Wall	10-14	16-22	18-26	20-30	22-31	24-34	25-36
3.5 .152	Flow CFM / FT	76	107	137	153	168	183	198
	Throw Sill or Floor	8-12	12-18	16-22	18-25	18-26	20-29	22-31
	Throw Side Wall	10-14	16-22	18-26	20-31	22-31	24-34	25-36
4 .176	Flow CFM / FT	88	123	158	176	193	210	228
	Throw Sill or Floor	10-13	16-22	17-24	19-29	22-31	23-32	24-35
	Throw Side Wall	12-18	18-26	20-30	24-35	26-38	29-41	30-43
5 .220	Flow CFM / FT	110	154	198	220	242	264	286
	Throw Sill or Floor	10-14	16-22	18-25	20-29	22-30	23-32	25-36
	Throw Side Wall	12-18	18-26	22-31	25-36	26-38	29-41	31-44
6 .265	Flow CFM / FT	133	186	239	265	292	318	345
	Throw Sill or Floor	10-14	16-22	18-26	20-30	22-32	24-34	25-36
	Throw Side Wall	12-18	18-26	23-32	26-37	28-40	30-43	32-46
8 .356	Flow CFM / FT	178	249	320	356	391		
	Throw Sill or Floor	12-17	16-23	18-26	22-31	23-33		
	Throw Side Wall	14-20	20-29	24-34	28-40	29-43		
10 .446	Flow CFM / FT	223	312	401	445			
	Throw Sill or Floor	12-18	18-26	22-31	25-36			
	Throw Side Wall	16-23	24-34	28-40	31-44			
12 .536	Flow CFM / FT	268	375	482				
	Throw Sill or Floor	14-20	26-37	25-36				
	Throw Side Wall	18-25	29-42	32-46				

PERFORMANCE NOTES FOR SERIES XG-2000

All data is tested in accordance with ANSI/ASHRAE 70-2006.

DEFINITION OF UNITS

CFM Cubic Feet per Minute (air)

VK Outlet Velocity

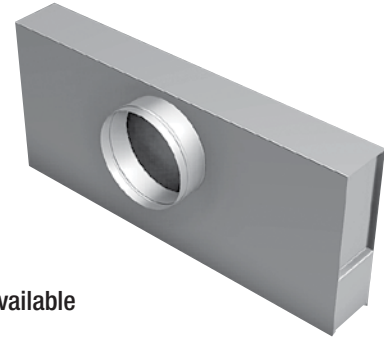
Pt Total pressure (inches of water column)

Ps Static pressure = $P_t - P_v$ (inches of water column)

NC Noise criterion, sound pressure level NC ratings are based on sound power level (Lw) re: 10^{-12} watts minus a 10dB room attenuation in all octave bands

Throw Total distance (in feet) covered by an airstream before its maximum velocity falls to a preselected terminal level (Vt) of 150fpm and 50fpm respectively.

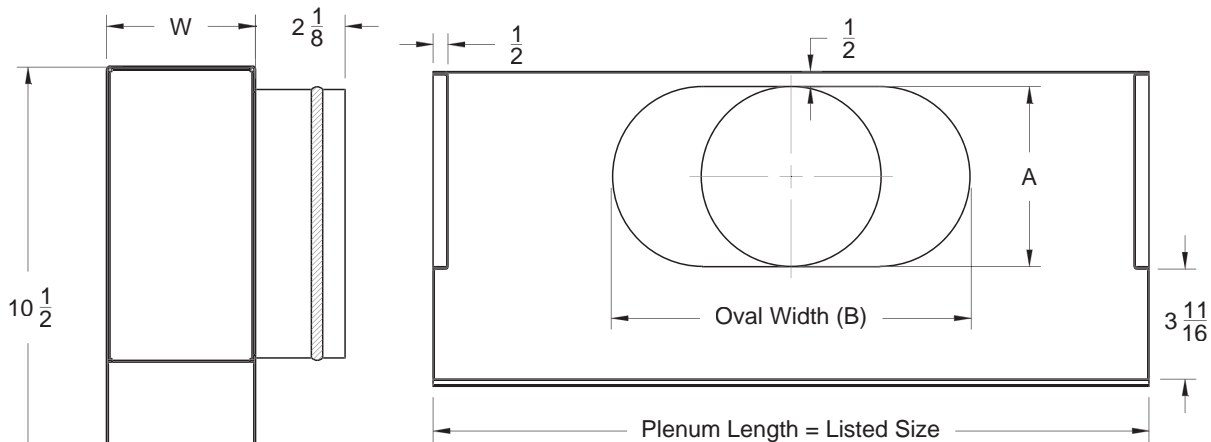
MODEL XG-UP-2000



The models XG-UP-2000 (uninsulated) and XG-UPI-2000 (insulated) are designed to connect the XG-2000 series to the ducted supply or return system. The XG-UP-2000 is constructed of galvanized steel. The height of the plenum is 10".

- Standard insulation on XG-UPI-2000 is 1/2" Fiberglass
- Optional external insulation and internal closed cell foam insulation are also available
- Standard inlet sizes are 6" (round) or 8", 10", 12" and 14" (oval)
- Standard lengths available are 24", 36", 48", 60" and 72"

XG-UP-2000 - Universal Plenum - Non Insulated



Plenum Side View

Plenum (Installed) End View

Inlet Chart			
Size	Type	A	B
6	Round	5 7/8	NA
8	Oval	5 7/8	8 15/16
10	Oval	5 7/8	12 1/16
12	Oval	5 7/8	15 1/4
14	Oval	5 7/8	18 7/16

XG-UP-2000			
LBG Width	Width (W)	LBG Width	Width
1 1/2	2	13	13 1/2
2	2 1/2	13 1/2	14
2 1/2	3	14	14 1/2
3	3 1/2	14 1/2	15
3 1/2	4	15	15 1/2
4	4 1/2	15 1/2	16
4 1/2	5	16	16 1/2
5	5 1/2	16 1/2	17
5 1/2	6	17	17 1/2
6	6 1/2	17 1/2	18
6 1/2	7	18	18 1/2
7	7 1/2	18 1/2	19
7 1/2	8	19	19 1/2
8	8 1/2	19 1/2	20
8 1/2	9	20	20 1/2
9	9 1/2	20 1/2	21
9 1/2	10	21	21 1/2
10	10 1/2	21 1/2	22
10 1/2	11	22	22 1/2
11	11 1/2	22 1/2	23
11 1/2	12	23	23 1/2
12	12 1/2	23 1/2	24
12 1/2	13	24	24 1/2

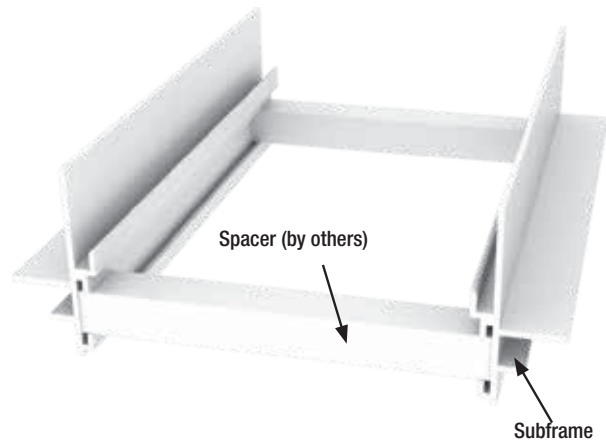
INSTALLATION INFORMATION

The hanger bracket mounting system is also designed to work well with factory-supplied subframe material – both “P” and “W” styles. In order to ensure a satisfactory subframe installation, the following procedures should be followed:

- The factory-supplied subframe material should be cut to the proper length (i.e., the nominal size of the Grille).
- The neck of the subframe should be attached to the outside of the ductwork with the ends of the duct nestled in the channel of the subframe extrusion.
- Care should be taken that the face of the subframe material is parallel to the finished surface, and, if being used as a plaster ground, the “P” subframe is recessed the proper distance from the designed finish wall.
- The long sides of the subframe must be braced with appropriately sized spacer bars to prevent distortion of the subframe dimensionally, especially during plastering. Note: this bracing must be done prior to plastering.
- The spacer bars should remain in place until the Grille is installed, and, in a long run, should be removed only when each Grille section is ready for installation. Subframe material used on long runs should be aligned section to section by use of the factory-supplied alignment splines. In addition to serving as a plaster ground, the “P” style auxiliary subframe is designed to accommodate standard concealed spline ceiling tiles. The “W” style auxiliary subframe is installed in much the same manner as the “P” style subframe, except that it is usually placed in a ceiling directly against a sidewall. Note that Model XG-2000 Bar Grilles cannot be used with a “W” style subframe next to a wall because the 1" border of the Grille would overlap the subframe.



**Hanger Bracket Install –
Hemmed Plenum**



**Subframe Installed in Framing –
Shown with Plenum/Duct (not required)**

Note: HP frame version shown, HW (Narrow/Wall) and HC (Combination) are similar.

INSTALLATION INFORMATION

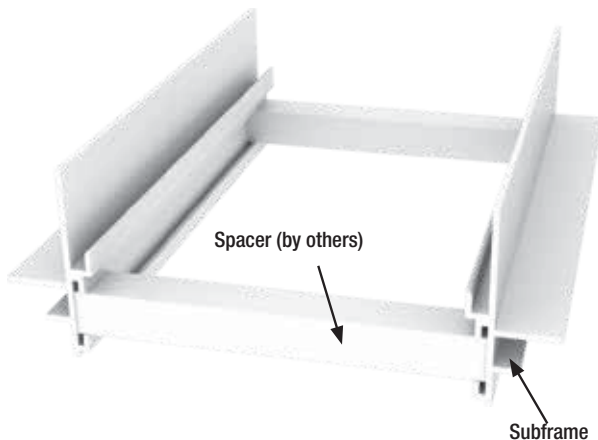
HANGER BRACKET INSTALLATION INTO AUXILIARY SUBFRAME



Series XG-2000 and XG-2300 Linear Bar Grilles and Registers are easily installed into auxiliary subframe material using factory-supplied hanger brackets and leveling screws according to the following instructions:

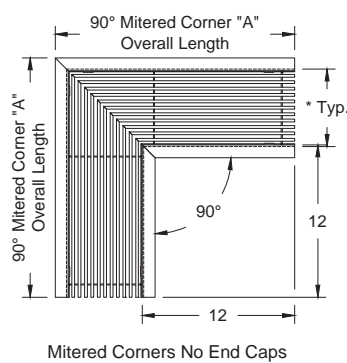
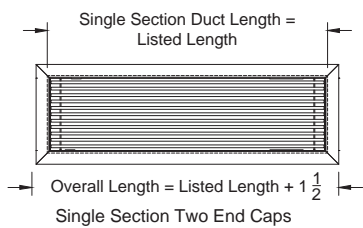
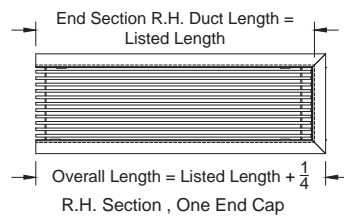
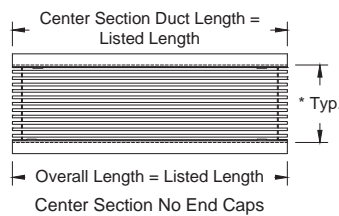
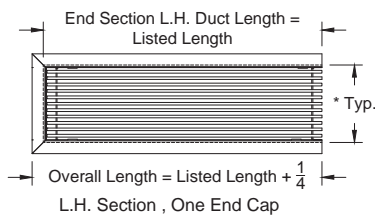
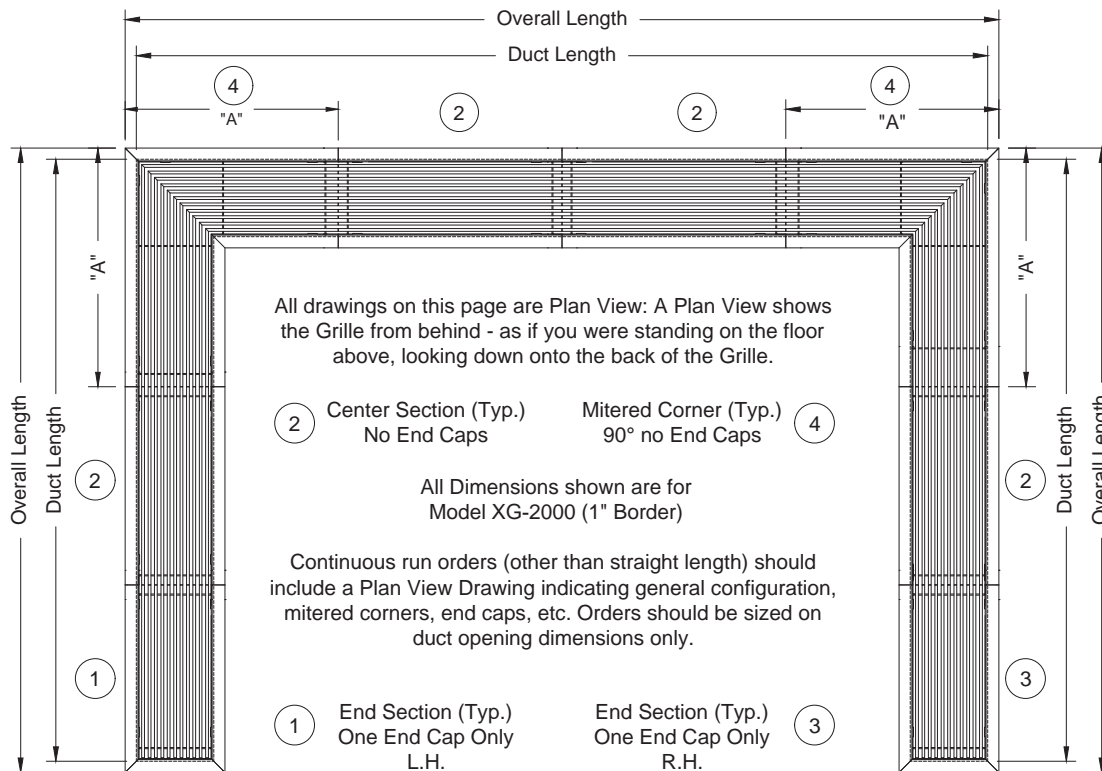
In order to ensure a satisfactory installation, the following procedures should be followed:

- Arrange the appropriate number of hanger brackets and hanger screw mounts (shipped unattached) on the neck of the Grille, positioning the brackets over the hanger screw mounts.
- Insert the supplied #8 X 3" screws through their mounts and into the proper hole in the hanger brackets, locking the Grille and hangers together.
- Position the Grille carefully in the duct opening and press into position, pushing the legs of the hanger brackets past the extruded channel of the auxiliary subframe, allowing them to snap into position (if necessary, press the hanger brackets upward with the screws to seat the brackets properly).
- Tighten the screws to draw the Grille firmly against the ceiling or sidewall, adjusting the tension to accommodate any variation in the mounting surface. In installations where long runs are composed of many separate units, the same procedure should be followed on each Grille section, taking care to use the factory-supplied alignment splines to ensure a smooth and unbroken appearance.



Model XG-2100 units – 1/2 inch Borders Model XG-2100 Bar Grilles and Registers are installed into auxiliary subframes following basically the procedures outlined on the previous page. Special care must be taken, however, in the installation of the XG-2100 unit due to the extremely narrow frame borders of these units. Installation should proceed as follows:

DIMENSIONS AND CONTINUOUS RUNS



* Duct Width

LOUVER FACE LINEARS

The Series XG-LFL are designed for continuous length applications where the clean lines of a louver face diffuser are desirable.



Model XG-LFL-1W One-Way Louver Face Linear Diffuser

- Available in either surface mount (-1 border) or T-bar lay-in (-6 border) options
- Can be used for supply or return applications
- Available in continuous lengths from 18"-1200" and is offered in 6", 9" and 12" widths

PAGE 267

Model XG-LFL-2W Two-Way Louver Face Linear Diffuser

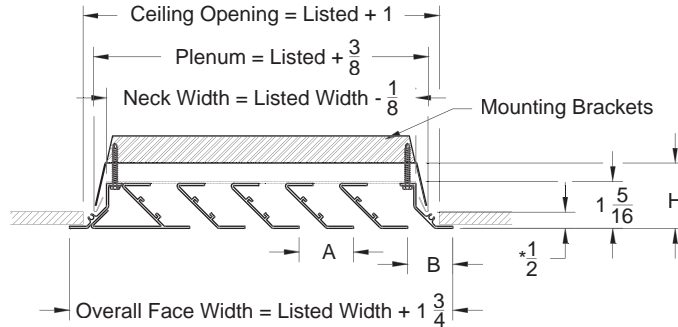
- The XG-LFL-2W includes all the same features of the XG-LFL-1W but is provided with a Two-Way air pattern

PAGE 269

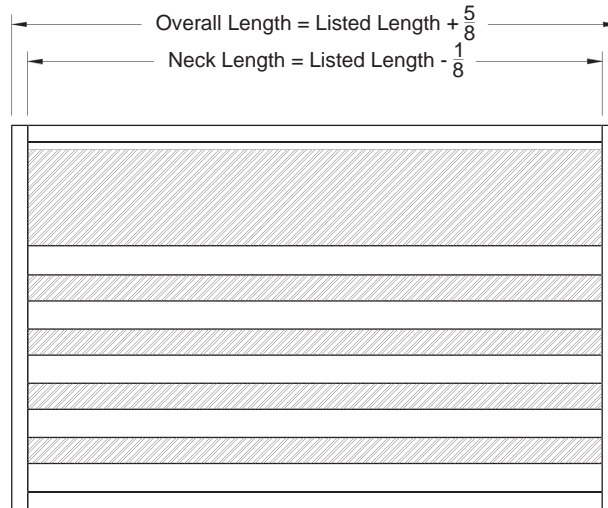
MODEL XG-LFL-1W-1

Model: XG-LFL-1W-1 One Way Air Pattern Controller - Flush Surface Mount

XG-LFL-1W-1 - Flush Surface Mount



Side View



1-Way Air Flow
Face View

Listed Width	6	9	12
A	1 5/8	1 9/16	1 9/16
B	1 3/8	1 5/16	1 5/16
H (Height)	2	2	2
H with OBD	3 1/2	3 1/2	3 1/2

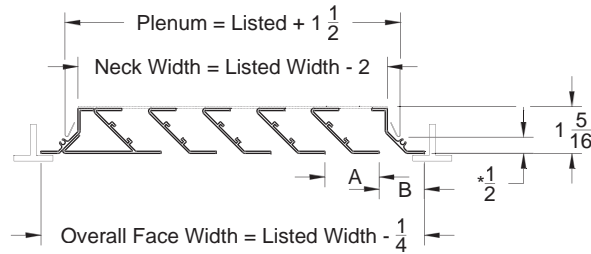
1. Available Finishes	2. Available Accessories	3. Available Options	4. Construction Details
Standard Finish: 01 White Finish 24 Mill Finish Optional Finish 02 Satin Silver 03 Black 28 Custom Color	D5 - Steel Opposed Blade Damper D5A - Aluminum Opposed Blade Damper		<ul style="list-style-type: none"> • Neck Sizes only As Listed • Longest Length 72" Single Section • Continuous Runs in Multiple Sections • * Dimension indicates the distance needed for Clearance from the bottom of the duct to the ceiling line and must be maintained for proper fit

All Dimensions ±1/16"

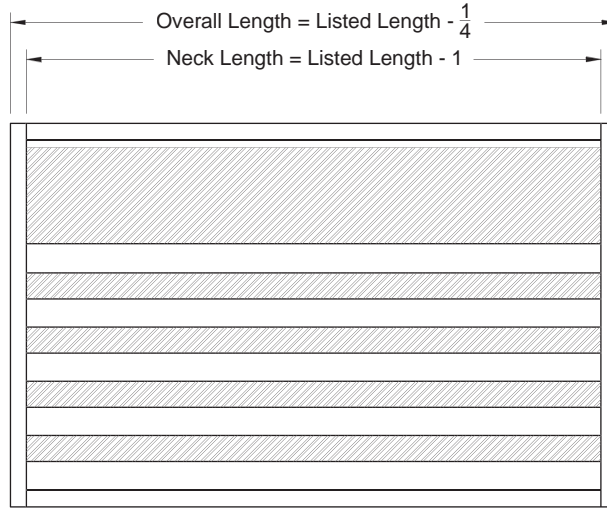
MODEL XG-LFL-1W-6

Model: XG-LFL-1W-6 One Way Air Patter Controller - Lay In T-Bar

XG-LFL-1W-6 - T-Bar Mount



Side View



1-Way Air Flow

Face View

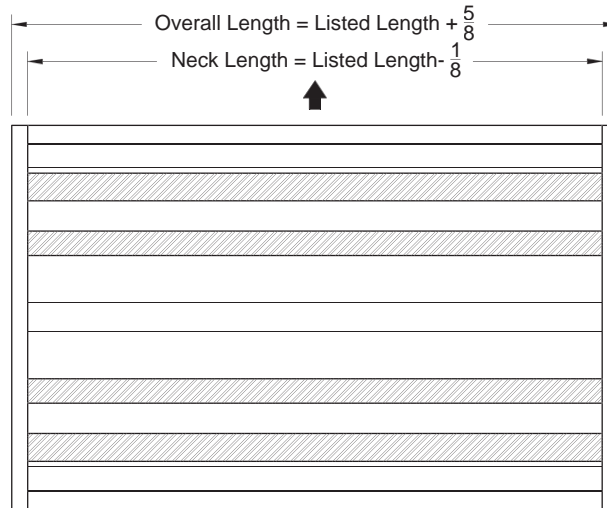
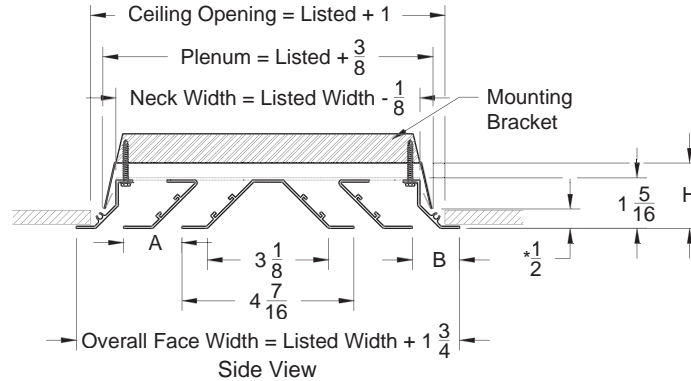
Listed Width	6	9	12
A	1 5/8	1 9/16	1 9/16
B	1 3/8	1 5/16	1 5/16

1. Available Finishes	2. Available Accessories	3. Available Options	4. Construction Details
Standard Finish: 01 White Finish 24 Mill Finish Optional Finish 02 Satin Silver 03 Black 28 Custom Color	D5 - Steel Opposed Blade Damper D5A - Aluminum Opposed Blade Damper		<ul style="list-style-type: none"> • Neck Sizes only As Listed • Longest Length 72" Single Section • Continuous Runs in Multiple Sections • * Dimension indicates the distance needed for Clearance from the bottom of the duct to the ceiling line and must be maintained for proper fit
All Dimensions $\pm 1/16"$			

MODEL XG-LFL-2W-1

Model: XG-LFL-2W-1 Two Way Air Pattern Controller - Flush Surface Mount

XG-LFL-2W-1 - Flush Surface Mount



↓
 2-Way Air Flow
 Face View

Listed Width	6	9	12
A	$1\frac{5}{8}$	$1\frac{3}{4}$	$1\frac{11}{16}$
B	$1\frac{3}{4}$	$1\frac{1}{2}$	$1\frac{7}{8}$
H (Height)	2	2	2
H with OBD	$3\frac{1}{2}$	$3\frac{1}{2}$	$3\frac{1}{2}$

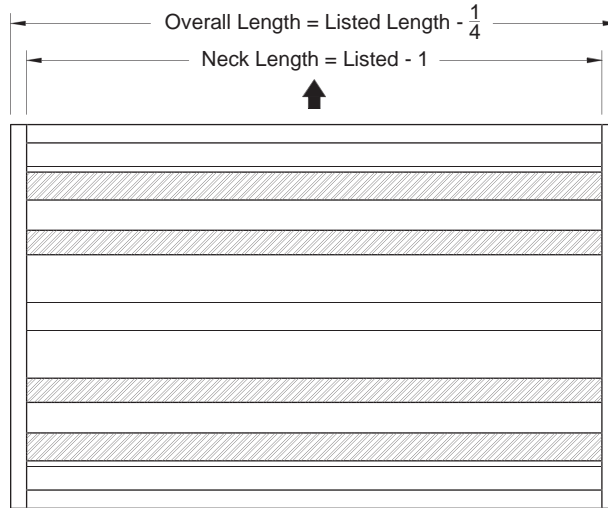
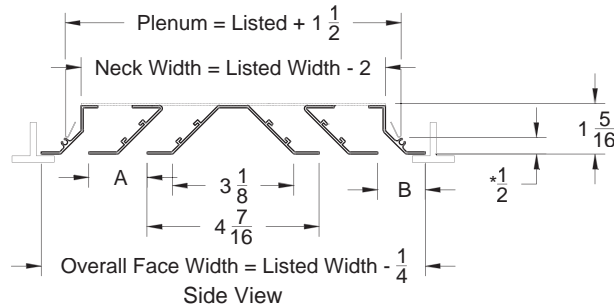
1. Available Finishes	2. Available Accessories	3. Available Options	4. Construction Details
Standard Finish: 01 White Finish 24 Mill Finish Optional Finish 02 Satin Silver 03 Black 28 Custom Color	D5 - Steel Opposed Blade Damper D5A - Aluminum Opposed Blade Damper		<ul style="list-style-type: none"> • Neck Sizes only As Listed • Longest Length 72" Single Section • Continuous Runs in Multiple Sections • * Dimension indicates the distance needed for Clearance from the bottom of the duct to the ceiling line and must be maintained for proper fit

 All Dimensions $\pm 1/16"$

MODEL XG-LFL-2W-6

Model: XG-LFL-2W-6 Two Way Air Pattern Controller - Lay In T-Bar

XG-LFL-2W-6 - Lay In T-Bar Mount



Listed Width	6	9	12
A	1 $\frac{5}{8}$	1 $\frac{3}{4}$	1 $\frac{11}{16}$
B	1 $\frac{3}{4}$	1 $\frac{1}{2}$	1 $\frac{7}{8}$

1. Available Finishes	2. Available Accessories	3. Available Options	4. Construction Details
Standard Finish: 01 White Finish 24 Mill Finish Optional Finish 02 Satin Silver 03 Black 28 Custom Color	D5 - Steel Opposed Blade Damper D5A - Aluminum Opposed Blade Damper		<ul style="list-style-type: none"> • Neck Sizes only As Listed • Longest Length 72" Single Section • Continuous Runs in Multiple Sections • * Dimension indicates the distance needed for Clearance from the bottom of the duct to the ceiling line and must be maintained for proper fit

All Dimensions $\pm 1/16"$

LOUVER FACE LINEAR DIFFUSER PERFORMANCE DATA MODEL SERIES XG-LFL

		Unit Neck Width									
1-Way	6"	CFM/LF	20	40	60	80	100	120	140	160	180
		Pt	0.004	0.014	0.032	0.057	0.088	0.127	0.173	0.226	0.286
		Throw	1-4-10	6-10-20	10-15-26	14-20-30	16-24-33	20-26-36	23-28-39	24-30-42	26-31-44
		NC	-	-	-	-	17	23	30	32	35
	9"	CFM/LF	35	65	100	132	165	198	231	264	297
		Pt	0.005	0.016	0.037	0.065	0.102	0.146	0.199	0.260	0.300
		Throw	3-6-13	9-13-26	13-19-33	17-26-39	21-30-43	26-33-47	29-36-50	31-39-54	33-41-57
		NC	-	-	-	-	21	27	34	37	40
	12"	CFM/LF	45	95	140	185	235	280	325	380	420
		Pt	0.004	0.018	0.040	0.070	0.113	0.161	0.216	0.296	0.320
		Throw	4-8-16	10-16-31	16-23-39	21-31-45	26-36-51	31-39-56	34-42-60	37-45-64	39-48-68
		NC	-	-	-	22	32	38	43	45	50
2-Way	6"	CFM/LF	17	34	51	68	85	102	119	136	153
		Pt	0.004	0.014	0.032	0.057	0.088	0.127	0.173	0.226	0.286
		Throw	1-2-9	4-9-16	9-12-21	11-16-24	14-19-27	16-21-30	19-23-32	20-24-34	21-26-36
		NC	-	-	-	-	17	20	23	26	30
	9"	CFM/LF	39	55	85	113	140	168	197	224	252
		Pt	0.005	0.016	0.037	0.065	0.102	0.146	0.199	0.260	0.300
		Throw	2-4-11	8-11-24	11-17-30	16-24-34	19-27-39	24-30-42	26-32-45	28-34-49	30-36-51
		NC	-	-	-	-	17	23	29	32	35
	12"	CFM/LF	39	81	120	158	200	238	276	323	357
		Pt	0.004	0.018	0.040	0.070	0.113	0.161	0.216	0.296	0.320
		Throw	4-7-14	9-14-29	14-21-36	19-29-42	24-33-47	29-36-51	32-39-56	34-42-59	36-44-63
		NC	-	-	-	18	26	32	36	41	44

PERFORMANCE NOTES FOR MODEL SERIES XG-LFL

All data is tested in accordance with ANSI/ASHRAE 70-2006.

DEFINITION OF UNITS

CFM/LF Cubic Feet per Minute (air) / per Linear Ft.

Pt Total pressure (inches of water column)

Throw Distance in feet @50fpm terminal velocity with 10°FΔT cooling differential.

NC Noise criterion, sound pressure level NC ratings are based on sound power level (Lw) re: 10⁻¹² watts minus a 10dB room attenuation in all octave bands

Design and Selection Support

Enjoy Greenheck's extraordinary service, before, during and after the sale.

Greenheck offers added value to our wide selection of top performing, energy-efficient products by providing several unique service programs.



Our Quick Delivery program ensures shipment of in-stock products within 24 hours of placing your order. Our Quick Build made-to-order products are manufactured in 1-3-5-10-15 or 25-day production cycles, depending upon its complexity.

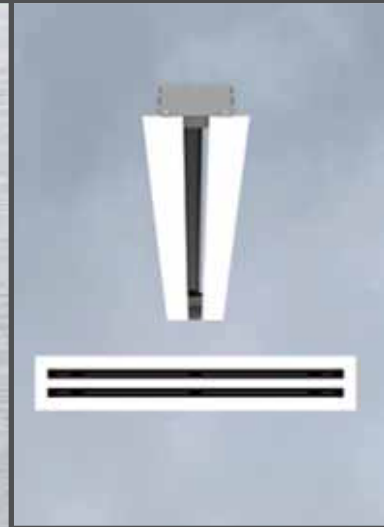


Greenheck's free Computer Aided Product Selection program CAPS®, rated by many as the best in the industry, helps you conveniently and efficiently select the right products for the challenge at hand.



Our 3D service allows you to download, at no charge, easy-to-use AutoDesk® Revit® 3D drawings for many of our ventilation products.

Find out more about these special services at greenheck.com



Building Value in Air

Greenheck delivers value to mechanical engineers by helping them solve virtually any air quality challenges their clients face with a comprehensive selection of

top quality, innovative air-related equipment. We offer extra value to contractors by providing easy-to-install, competitively priced, reliable products that arrive on time.

And building owners and occupants value the energy efficiency, low maintenance and quiet dependable operation they experience long after the construction project ends.

Our Commitment

As a result of our commitment to continuous improvement, Greenheck reserves the right to change specifications without notice.

Specific Greenheck product warranties are located on greenheck.com within the product area tabs and in the Library under Warranties.

