

Linear Diffusers and Grilles



BUILDING VALUE IN AIR.



August
2021

LINEAR DIFFUSERS AND GRILLES

The Greenheck line of Linear Diffusers and Grilles is designed to satisfy the most discerning architect's design concept without compromising engineering performance. Linear slot diffusers and grilles can be divided into three categories: Formations, Linear Slot Diffusers and Linear Bar Grilles.



Linear Slot Diffusers are an excellent choice for continuous linear applications such as perimeter office space, airport terminals, convention centers and shopping malls. The flexibility of these diffusers allows installation in a variety of applications to maximize occupant comfort. Linear slot diffusers are available in both straight and curved applications.

PAGE 2



Linear Bar Grilles are engineered for supply and return air distribution in heating and cooling applications and are designed for sidewall, floor, sill and ceiling installation. Linear bar grilles are available in straight, continuous and curved applications.

PAGE 63



Louver Face Linear Diffusers are designed for continuous length applications where the clean lines of a louver face diffuser are desirable.

PAGE 91

LINEAR SLOT DIFFUSERS

The Greenheck line of linear diffusers is designed for applications such as perimeter office space, airport terminals, convention centers and shopping malls. These diffusers are aesthetically pleasing without compromising performance.

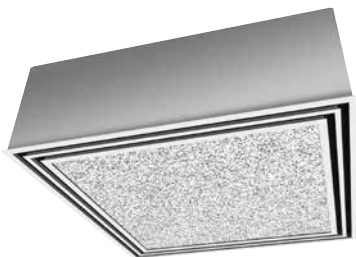
ALUMINUM LINEAR SLOT DIFFUSER



ALUMINUM SPIRAL PIPE SLOT DIFFUSER



ALUMINUM MODULAR SLOT DIFFUSER



PLENUMS



Aluminum Linear Slot Diffuser. The XG-6600 series is an excellent choice for continuous linear applications where the diffuser can direct air along the perimeter wall or glass and towards the occupied area to maximize comfort.

XG-6600 – Aluminum linear supply

XG-6600-R – Aluminum linear return.

PAGE 4

Aluminum Spiral Pipe Slot Diffuser. The XG-6600-SP series is designed to integrate into exposed spiral duct systems. The pattern controllers are fully adjustable and can be set from horizontal to vertical discharge.

XG-6610-SP – Aluminum spiral pipe supply

XG-6610-RSP – Aluminum spiral pipe return

PAGE 34

Aluminum Modular Slot Diffuser. The XG-6600-SQ series modular slot diffuser is designed for lay-in ceiling grids including standard T-bar, Tegular and Donn Finline. The design allows a ceiling tile (by others) to be installed from the face of the diffuser without having to remove the plenum.

XG-6600-SQ – Aluminum modular supply

XG-6600-SQI – Aluminum modular supply – Insulated

XG-6600-SQR – Aluminum modular return

PAGE 39

Plenums. The UP-XG-6600 series plenum is designed to connect the XG-6600 series linear slot diffuser to the ducted supply or return.

UP-XG-6600 – Boot plenum

UPI-XG-6600 – Boot plenum - Insulated

PAGE 45

MODEL XG-6600

Air outlets shall be model XG-6600 (supply) or XG-6610SPR (return) linear slot diffusers manufactured by GREENHECK. Units shall be constructed of heavy gauge extruded aluminum. The units shall be the size and quantity as outline in the plans and specifications. Units shall be available with 1" slot widths.



For supply linear slot diffusers, the pattern controller shall be curved, aerodynamically shaped, capable of adjustment from the face of the diffuser. The pattern controller shall allow adjustment from vertical to horizontal patterns as well as damper the volume through the face of the diffuser. Pattern controllers shall be aluminum construction. Steel pattern controllers are not acceptable.

For return linear slot diffuser, the unit will be provided without pattern controllers to minimize pressure drop and noise. Linear slot diffusers shall be available in one-piece sections up to 6 ft. Units shall be available with one to four slots.

Supply units shall be furnished with the face white and the pattern controller black.

Performance Specification

The manufacturer shall provide published performance data. Data shall be tested in accordance to ANSI/ASHRAE Standard 70- 2006.

Model XG-XG-6675 (10-6 & 12-6)								
S=3/4 Slot	Number Of Slots							
	1	2	3	4	5	6	7	8
A	1 9/16	3 1/16	4 9/16	6 1/16	7 9/16	9 1/16	10 9/16	12 1/16
D1	2	3 1/2	5	6 1/2	8	9 3/4	11	12 1/2
D2	2 1/2	4	5 1/2	7	8 1/2	10 1/4	11 1/2	13
W	3	4 1/2	6	7 1/2	9	10 1/2	12	13 1/2

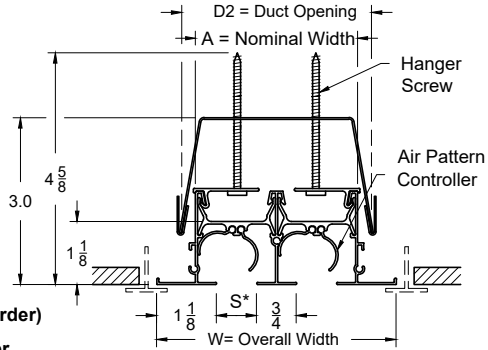
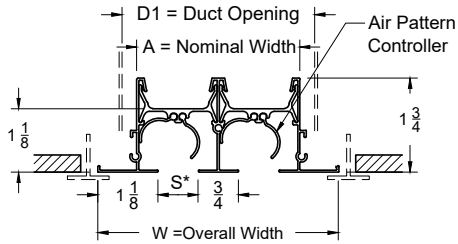
Model XG-XG-6610 (10-6 & 12-6)								
S=1 Slot	Number Of Slots							
	1	2	3	4	5	6	7	8
A	1 13/16	3 9/16	5 5/16	7 1/16	8 13/16	10 9/16	12 5/16	14 1/16
D1	2 1/4	4	5 5/8	7 1/2	9 1/4	11	12 3/4	14 1/2
D2	2 3/4	4 1/2	6 1/8	8	9 3/4	11 1/2	13 1/4	15
W	3 1/4	5	6 3/4	8 1/2	10 1/4	12	13 3/4	15 1/2

Model XG-6615 (10-6 & 12-6)								
S=1 1/2 Slot	Number Of Slots							
	1	2	3	4	5	6	7	8
A	2 5/16	4 9/16	6 13/16	9 1/16	N/A	N/A	N/A	N/A
D1	2 3/4	5	7 1/4	9 1/2	N/A	N/A	N/A	N/A
D2	3 1/4	6	7 3/4	10	N/A	N/A	N/A	N/A
W	3 3/4	6	8 1/4	10 1/2	N/A	N/A	N/A	N/A

MODEL XG-6600

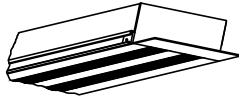
Models: XG-6600-10-6
(Lay in T-Bar - 1 1/8" Border - No Hardware)

Model: XG-6600-12-6
(Lay in T-Bar - 1 1/8" Border - With Hardware)

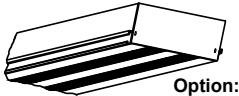


(XG-6600-10-6 & XG-6600-12-6 Models - End Border)

Option: End Border

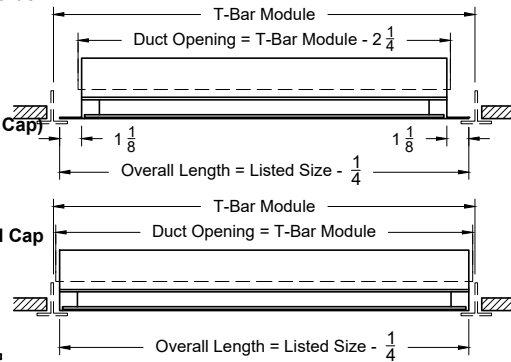
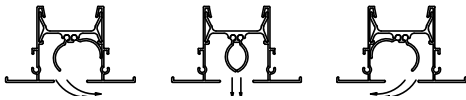


(XG-6600-10-6 & XG-6600-12-6 Models - End Cap)



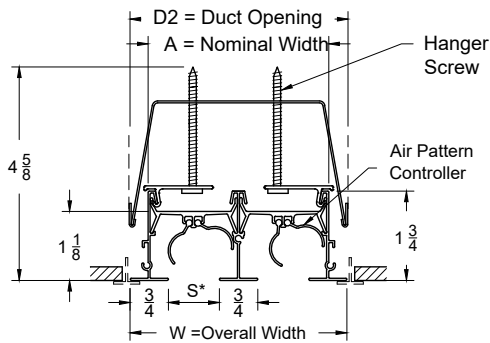
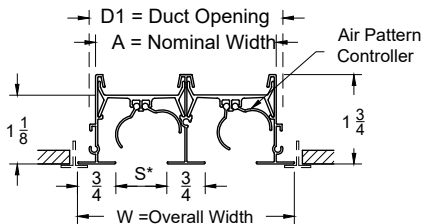
Option: End Cap

Air Deflection Patterns

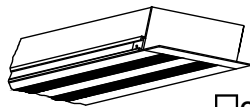


Model: XG-6600-20-6 (3/4" Border - Lay in T-Bar)
(No Hardware)

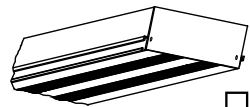
Model: XG-6600-22-6 (3/4" Border - Lay in T-Bar)
(With Hanger Bracket - Concealed Mount)



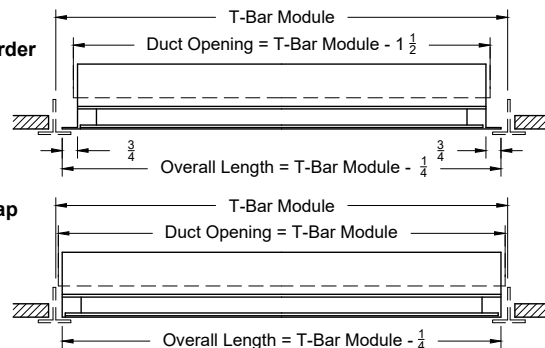
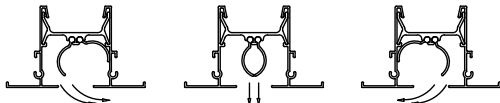
Option: End Border



Option: End Cap



Air Deflection Patterns



Model XG-6650 (20-6 & 22-6)								
S=1/2 Slot	Number of Slots							
	1	2	3	4	5	6	7	8
A	1 5/16	2 9/16	3 13/16	5 1/16	6 5/16	7 9/16	8 13/16	10 1/16
D1	1 11/16	2 13/16	4 3/16	5 3/8	6 9/16	8 1/8	9 7/16	10 5/16
D2	1 13/16	3 1/16	4 5/16	5 9/16	6 13/16	8 1/16	9 5/16	10 9/16
W	2	3 1/4	4 1/2	5 3/4	7	8 1/4	9 1/2	10 3/4

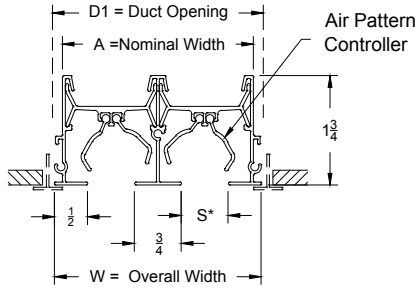
Model XG-6675 (20-6 & 22-6)								
S=3/4 Slot	Number of Slots							
	1	2	3	4	5	6	7	8
A	1 9/16	3 1/16	4 9/16	6 1/16	7 9/16	9 1/16	10 9/16	12 1/16
D1	1 13/16	2 5/16	5	6 5/8	7 13/16	9 5/16	10 13/16	12 1/4
D2	2 1/16	3 9/16	5 1/16	6 9/16	8 1/16	9 9/16	11 1/16	12 9/16
W	2 1/4	3 3/4	5 1/4	6 3/4	8 1/4	9 3/4	11 1/4	12 3/4

Model XG-6610 (20-6 & 22-6)								
S=1 Slot	Number of Slots							
	1	2	3	4	5	6	7	8
A	1 13/16	3 9/16	5 5/16	7 1/16	8 13/16	10 9/16	12 5/16	14 1/16
D1	2 1/8	3 15/16	5 5/8	7 3/8	9 1/4	10 7/8	13 3/4	14 1/2
D2	2 5/16	4 1/16	5 13/16	7 9/16	9 5/16	11 1/16	12 13/16	14 9/16
W	2 1/2	4 1/4	6	7 3/4	9 1/2	11 1/4	13	14 3/4

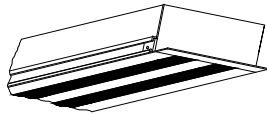
Model XG-6615 (20-6 & 22-6)								
S=1 1/2 Slot	Number of Slots							
	1	2	3	4	5	6	7	8
A	2 5/16	4 9/16	6 13/16	9 1/16	N/A	N/A	N/A	N/A
D1	2 5/8	4 7/8	7 1/8	9 3/8	N/A	N/A	N/A	N/A
D2	2 13/16	5 1/16	7 5/16	9 9/16	N/A	N/A	N/A	N/A
W	3	5 1/4	7 1/2	9 3/4	N/A	N/A	N/A	N/A

MODEL XG-6600

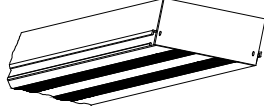
Model: XG-6600-30-6 (1/2" Border)
(Lay in T-Bar - No Hardware)



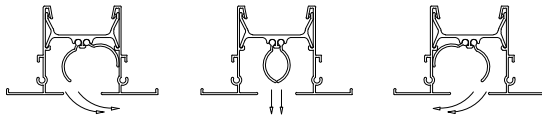
Option: End Border



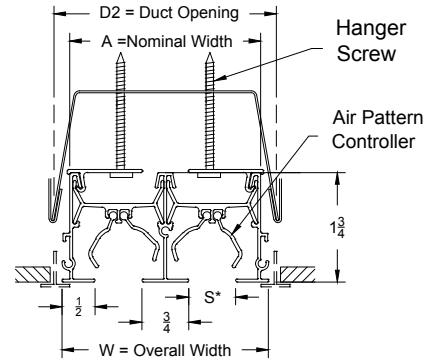
Option: End Cap



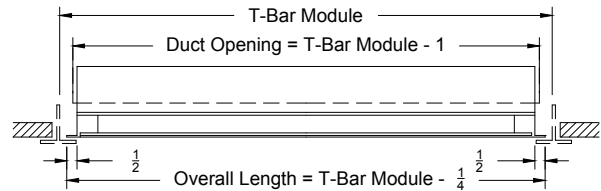
Air Deflection Patterns



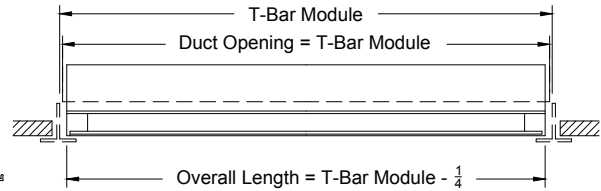
Model: XG-6600-32-6 (1/2" Border - Lay in T-Bar)
(With Concealed Mount Hardware)



End Border (Models: XG-6600-30-6 and XG-6600-32-6)



End Cap (Models: XG-6600-30-6 and XG-6600-32-6)



Model XG-6650 (30-6 & 32-6)								
S=1/2 Slot	Number of Slots							
	1	2	3	4	5	6	7	8
A	1 5/16	2 9/16	3 13/16	5 1/16	6 5/16	7 9/16	8 13/16	10 1/16
D1	1 9/16	2 13/16	4 1/16	5 5/16	6 9/16	7 13/16	9 1/16	10 5/16
D2	1 13/16	3 1/16	4 5/16	5 9/16	6 13/16	8 1/16	9 5/16	10 9/16
W	1 9/16	2 13/16	4 1/16	5 5/16	6 9/16	7 13/16	9 1/16	10 5/16

Model XG-6675 (30-6 & 32-6)								
S=3/4 Slot	Number of Slots							
	1	2	3	4	5	6	7	8
A	1 9/16	3 1/16	4 9/16	6 1/16	7 9/16	9 1/16	10 9/16	12 1/16
D1	1 13/16	3 5/16	4 13/16	6 5/16	7 13/16	9 5/16	10 13/16	12 5/16
D2	2 1/16	3 9/16	5 1/16	6 9/16	8 1/16	9 9/16	11 1/16	12 9/16
W	1 13/16	3 5/16	4 13/16	6 5/16	7 13/16	9 5/16	10 13/16	12 5/16

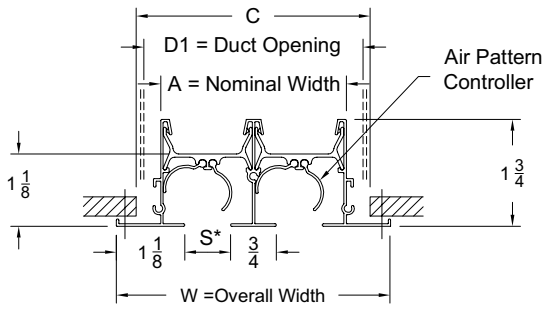
Model XG-6610 (30-6 & 32-6)								
S=1 Slot	Number of Slots							
	1	2	3	4	5	6	7	8
A	1 13/16	3 9/16	5 5/16	7 1/16	8 13/16	10 9/16	12 5/16	14 1/16
D1	2 1/16	3 13/16	5 9/16	7 5/16	9 1/16	10 13/16	12 9/16	14 5/16
D2	2 5/16	4 1/16	5 13/16	7 9/16	9 5/16	11 1/16	12 13/16	14 9/16
W	2 1/16	3 13/16	5 9/16	7 5/16	9 1/16	10 13/16	12 9/16	14 5/16

Model XG-6615 (30-6 & 32-6)								
S=1 1/2 Slot	Number of Slots							
	1	2	3	4	5	6	7	8
A	2 5/16	4 9/16	6 13/16	9 1/16	N/A	N/A	N/A	N/A
D1	2 9/16	4 13/16	7 1/16	9 5/16	N/A	N/A	N/A	N/A
D2	2 13/16	5 1/16	7 5/16	9 9/16	N/A	N/A	N/A	N/A
W	5 1/8	7 3/8	9 5/8	11 7/8	N/A	N/A	N/A	N/A

MODEL XG-6600

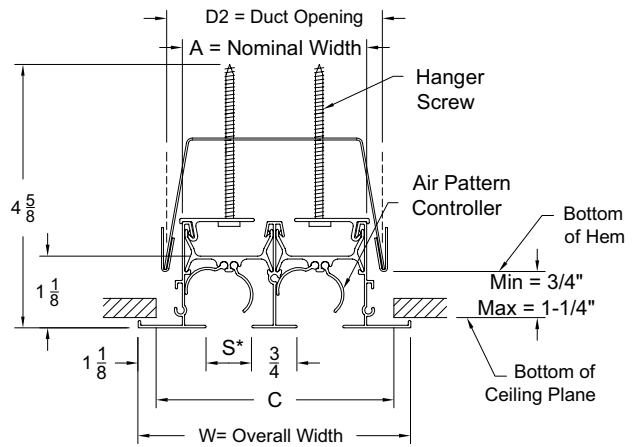
Models: XG-6600-11-1

(Face Screw Mounting -
1 1/8" Border - No Hardware)

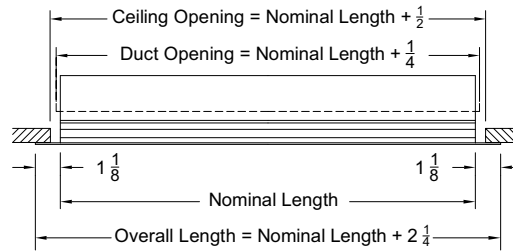
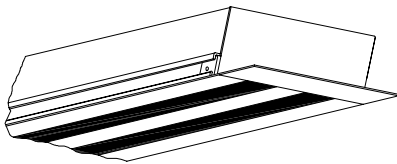


Models: XG-6600-12-1

(Concealed Surface Mount -
1 1/8" Border - With Hardware)



End Border



Model XG-6650 (11-1 & 12-1)								
S=1/2 Slot	Number of Slots							
	1	2	3	4	5	6	7	8
A	1 5/16	2 9/16	3 13/16	5 1/16	6 5/16	7 9/16	8 13/16	10 1/16
D1	1 3/4	3	4 1/4	5 1/2	6 3/4	8	9 1/4	10 1/2
D2	2 1/4	3 1/2	4 3/4	6	7 1/4	8 1/2	9 3/4	11
C	1 7/8	3 1/8	4 3/8	5 5/8	6 7/8	8 1/8	9 3/8	10 5/8
W	2 3/4	4	5 1/4	6 1/2	7 3/4	9	10 1/4	11 1/2

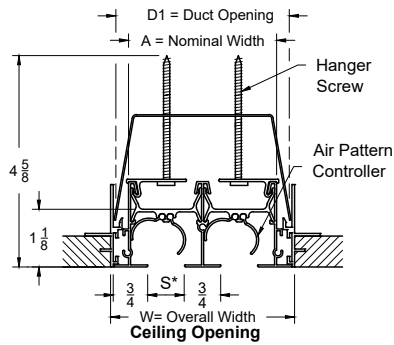
Model XG-6675 (11-1 & 12-1)								
S=3/4 Slot	Number of Slots							
	1	2	3	4	5	6	7	8
A	1 9/16	3 1/16	4 9/16	6 1/16	7 9/16	9 1/16	10 9/16	12 1/16
D1	2	3 1/2	5	6 1/2	8	9 3/4	11	12 1/2
D2	2 1/2	4	5 1/2	7	8 1/2	10 1/4	11 1/2	13
C	2 1/8	3 5/8	5 1/8	6 5/8	8 1/8	9 7/8	11 1/8	12 5/8
W	3	4 1/2	6	7 1/2	9	10 1/2	12	13 1/2

Model XG-6610 (11-1 & 12-1)								
S=1 Slot	Number of Slots							
	1	2	3	4	5	6	7	8
A	1 13/16	3 9/16	5 5/16	7 1/16	8 13/16	10 9/16	12 5/16	14 1/16
D1	2 1/4	4	5 5/8	7 1/2	9 1/4	11	12 3/4	14 1/2
D2	2 3/4	4 1/2	6 1/8	8	9 3/4	11 1/2	13 1/4	15
C	2 3/8	4 1/8	5 3/4	7 5/8	9 3/8	11 1/8	12 7/8	14 5/8
W	3 1/4	5	6 3/4	8 1/2	10 1/4	12	13 3/4	15 1/2

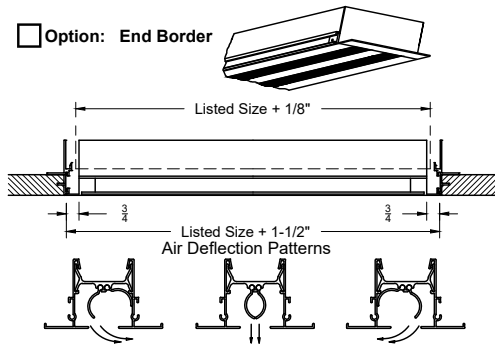
Model XG-6615 (11-1 & 12-1)								
S=1 1/2 Slot	Number of Slots							
	1	2	3	4	5	6	7	8
A	2 5/16	4 9/16	6 13/16	9 1/16	N/A	N/A	N/A	N/A
D1	2 3/4	5	7 1/4	9 1/2	N/A	N/A	N/A	N/A
D2	3 1/4	6	7 3/4	10	N/A	N/A	N/A	N/A
C	2 7/8	5	7 3/8	9 5/8	N/A	N/A	N/A	N/A
W	3 3/4	6	8 1/4	10 1/2	N/A	N/A	N/A	N/A

MODEL XG-6600

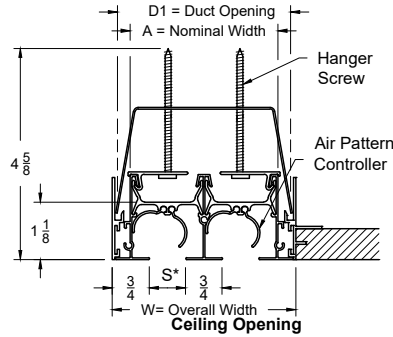
Model: XG-6600-22-73 (3/4" Border Concealed Spline)(Concealed Mount - Plaster Frames)



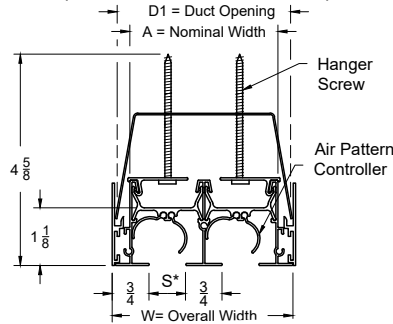
Option: End Border



Model: XG-6600-22-74 (3/4" Border Concealed Spline) (Concealed Mount - Wall Frame / Plaster Frame)



Model: XG-6600-22-75 (3/4" Border Concealed Spline) (Concealed Mount - Wall Frames)



Model XG-6650 (22-73, 22-74 & 77-75)								
S=1/2 Slot	Number of Slots							
	1	2	3	4	5	6	7	8
A	1 5/16	2 9/16	3 13/16	5 1/16	6 5/16	7 9/16	8 13/16	10 1/16
D1	1 11/16	2 13/16	4 3/16	5 3/8	6 9/16	8 1/8	9 7/16	10 5/16
W	2 1/8	3 3/8	4 5/8	5 7/8	7 1/8	8 3/8	9 5/8	10 7/8

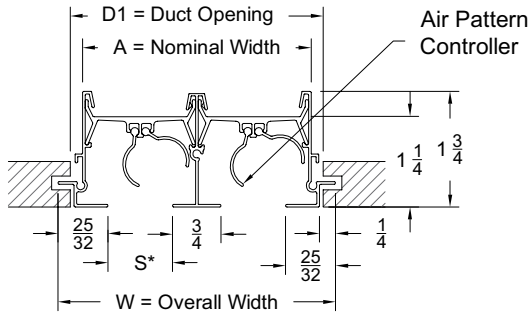
Model XG-6675 (22-73, 22-74 & 77-75)								
S=3/4 Slot	Number of Slots							
	1	2	3	4	5	6	7	8
A	1 9/16	3 1/16	4 9/16	6 1/16	7 9/16	9 1/16	10 9/16	12 1/16
D1	1 13/16	2 5/16	5	6 5/8	7 13/16	9 5/16	10 13/16	12 1/4
W	2 3/8	3 7/8	5 3/8	6 7/8	8 3/8	9 7/8	11 3/8	12 7/8

Model XG-6610 (22-73, 22-74 & 77-75)								
S=1 Slot	Number of Slots							
	1	2	3	4	5	6	7	8
A	1 13/16	3 9/16	5 5/16	7 1/16	8 13/16	10 9/16	12 5/16	14 1/16
D1	2 1/8	3 15/16	5 5/8	7 3/8	9 1/4	10 7/8	13 3/4	14 1/2
W	2 5/8	4 3/8	6 1/8	7 7/8	9 5/8	11 3/8	13 1/8	14 7/8

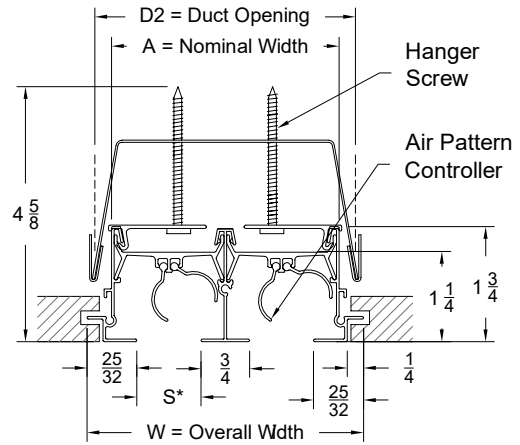
Model XG-6615 (22-73, 22-74 & 77-75)								
S=1 1/2 Slot	Number of Slots							
	1	2	3	4	5	6	7	8
A	2 5/16	4 9/16	6 13/16	9 1/16	N/A	N/A	N/A	N/A
D1	2 5/8	4 7/8	7 1/8	9 3/8	N/A	N/A	N/A	N/A
W	3 1/8	5 3/8	7 5/8	9 7/8	N/A	N/A	N/A	N/A

MODEL XG-6600

Models: XG-6600-40-7
(Concealed Spine - No Hardware)

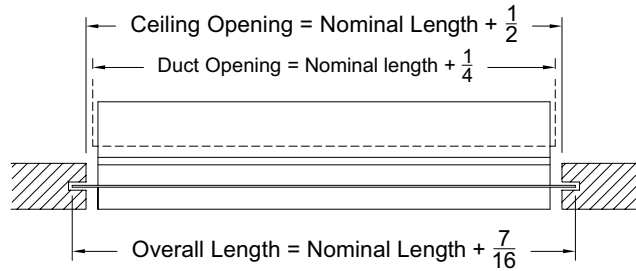
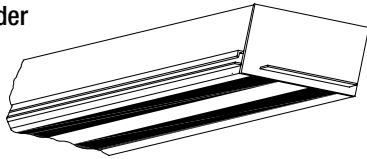


Models: XG-6600-42-7
(Concealed Spine -with
Concealed Mounting Hardware)



Side View (XG-6600-40-7 & XG-6600 42-7 - End Border)

End Border



Model XG-6650 (40-7 & 42-7)								
S=1/2 Slot	Number of Slots							
	1	2	3	4	5	6	7	8
A	1 5/16	2 9/16	3 13/16	5 1/16	6 5/16	7 9/16	8 13/16	10 1/16
D1	1 9/16	2 13/16	4 1/16	5 5/16	6 9/16	7 13/16	9 1/16	10 5/16
D2	1 7/8	3 1/8	4 3/8	5 5/8	6 7/8	8 1/8	9 3/8	10 5/8
W	2 1/16	3 5/16	4 9/16	5 13/16	7 1/16	8 5/16	9 9/16	10 13/16

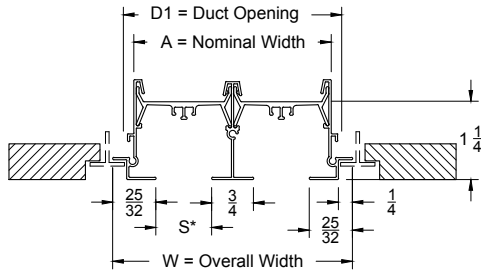
Model XG-6675 (40-7 & 42-7)								
S=3/4 Slot	Number of Slots							
	1	2	3	4	5	6	7	8
A	1 9/16	3 1/16	4 9/16	6 1/16	7 9/16	9 1/16	10 9/16	12 1/16
D1	1 13/16	3 5/16	4 13/16	6 5/16	7 13/16	9 5/16	10 13/16	12 5/16
D2	2 1/8	3 5/8	5 1/8	6 5/8	8 1/8	9 5/8	11 1/8	12 5/8
W	2 5/16	3 13/16	5 5/16	6 13/16	8 5/16	9 13/16	11 5/16	12 13/16

Model XG-6610 (40-7 & 42-7)								
S=1 Slot	Number of Slots							
	1	2	3	4	5	6	7	8
A	1 13/16	3 9/16	5 5/16	7 1/16	8 13/16	10 9/16	12 5/16	14 1/16
D1	2 1/16	3 13/16	5 9/16	7 5/16	9 1/16	10 13/16	12 9/16	14 5/16
D2	2 3/8	4 1/8	5 7/8	7 5/8	9 3/8	11 1/8	12 7/8	14 5/8
W	2 9/16	4 5/16	6 1/16	7 13/16	9 9/16	11 5/16	13 1/16	14 13/16

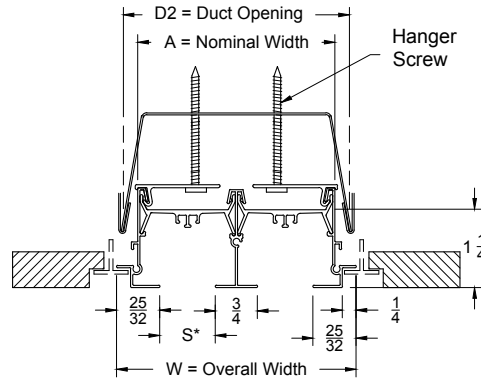
Model XG-6615 (40-7 & 42-7)								
S=1 1/2 Slot	Number of Slots							
	1	2	3	4	5	6	7	8
A	2 5/16	4 9/16	6 13/16	9 1/16	N/A	N/A	N/A	N/A
D1	2 9/16	4 13/16	7 1/16	9 5/16	N/A	N/A	N/A	N/A
D2	2 7/8	5 1/8	7 3/8	9 5/8	N/A	N/A	N/A	N/A
W	3 1/16	5 5/16	7 9/16	9 13/16	N/A	N/A	N/A	N/A

MODEL XG-6600

Model: XG-6600R-40-8
(Drop Face - No Hardware)

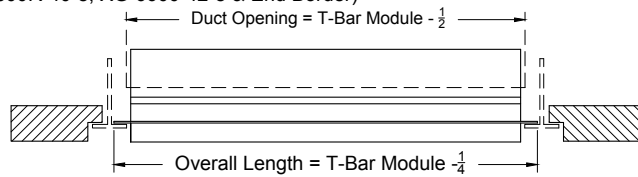
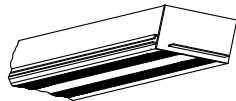


Model: XG-6600R-42-8
(Drop Face - With Concealed Mounting Hardware)



Side View (XG-6600R-40-8, XG-6600-42-8 & End Border)

End Border



Model XG-6650 (40-8 & 42-8)								
S=1/2 Slot	Number of Slots							
	1	2	3	4	5	6	7	8
A	1 5/16	2 9/16	3 13/16	5 1/16	6 5/16	7 9/16	8 13/16	10 1/16
D1	1 9/16	2 13/16	4 1/16	5 5/16	6 9/16	7 13/16	9 1/16	10 5/16
D2	1 7/8	3 1/8	4 3/8	5 5/8	6 7/8	8 1/8	9 3/8	10 5/8
W	2 1/16	3 5/16	4 9/16	5 13/16	7 1/16	8 5/16	9 9/16	10 13/16

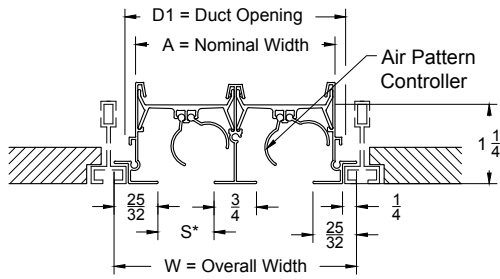
Model XG-6675 (40-8 & 42-8)								
S=3/4 Slot	Number of Slots							
	1	2	3	4	5	6	7	8
A	1 9/16	3 1/16	4 9/16	6 1/16	7 9/16	9 1/16	10 9/16	12 1/16
D1	1 13/16	3 5/16	4 13/16	6 5/16	7 13/16	9 5/16	10 13/16	12 5/16
D2	2 1/8	3 5/8	5 1/8	6 5/8	8 1/8	9 5/8	11 1/8	12 5/8
W	2 5/16	3 13/16	5 5/16	6 13/16	8 5/16	9 13/16	11 5/16	12 13/16

Model XG-6610 (40-8 & 42-8)								
S=1 Slot	Number of Slots							
	1	2	3	4	5	6	7	8
A	1 13/16	3 9/16	5 5/16	7 1/16	8 13/16	10 9/16	12 5/16	14 1/16
D1	2 1/16	3 13/16	5 9/16	7 5/16	9 1/16	10 13/16	12 9/16	14 5/16
D2	2 3/8	4 1/8	5 7/8	7 5/8	9 3/8	11 1/8	12 7/8	14 5/8
W	2 9/16	4 5/16	6 1/16	7 13/16	9 9/16	11 5/16	13 1/16	14 13/16

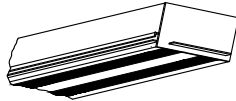
Model XG-6615 (40-8 & 42-8)								
S=1 1/2 Slot	Number of Slots							
	1	2	3	4	5	6	7	8
A	2 5/16	4 9/16	6 13/16	9 1/16	N/A	N/A	N/A	N/A
D1	2 9/16	4 13/16	7 1/16	9 5/16	N/A	N/A	N/A	N/A
D2	2 7/8	5 1/8	7 3/8	9 5/8	N/A	N/A	N/A	N/A
W	3 1/16	5 5/16	7 9/16	9 13/16	N/A	N/A	N/A	N/A

MODEL XG-6600

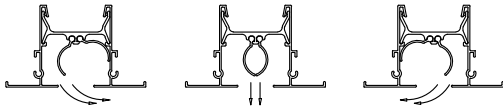
□ Model: XG-6600-40-9
(Narrow Tee 9/16 Face - No Hardware)



□ End Border

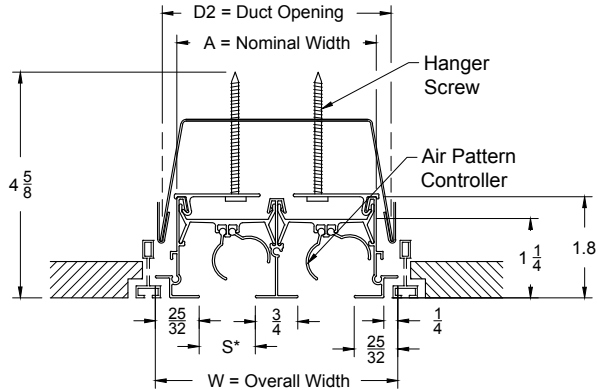


Air Deflection Patterns

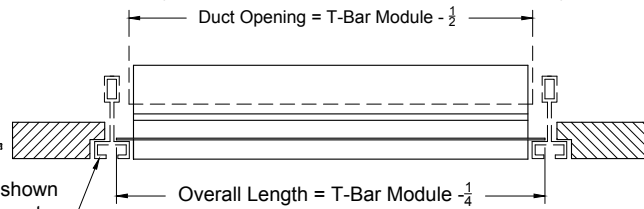


XG-6600-40-9 Model shown with Bolt Grid as an alternate application

□ Model: XG-6600-42-9 (Narrow Tee 9/16 Face)
(With Concealed Mount Hardware)



Side View (XG-6600-40-9, XG-6600-42-9 & End Border)



Model XG-6650 (40-9 & 42-9)								
S=1/2 Slot	Number of Slots							
	1	2	3	4	5	6	7	8
A	1 5/16	2 9/16	3 13/16	5 1/16	6 5/16	7 9/16	8 13/16	10 1/16
D1	1 9/16	2 13/16	4 1/16	5 5/16	6 9/16	7 13/16	9 1/16	10 5/16
D2	1 7/8	3 1/8	4 3/8	5 5/8	6 7/8	8 1/8	9 3/8	10 5/8
W	2 1/16	3 5/16	4 9/16	5 13/16	7 1/16	8 5/16	9 9/16	10 13/16

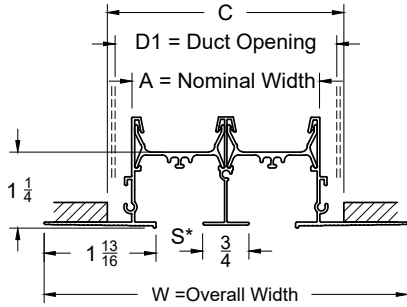
Model XG-6675 (40-9 & 42-9)								
S=3/4 Slot	Number of Slots							
	1	2	3	4	5	6	7	8
A	1 9/16	3 1/16	4 9/16	6 1/16	7 9/16	9 1/16	10 9/16	12 1/16
D1	1 13/16	3 5/16	4 13/16	6 5/16	7 13/16	9 5/16	10 13/16	12 5/16
D2	2 1/8	3 5/8	5 1/8	6 5/8	8 1/8	9 5/8	11 1/8	12 5/8
W	2 5/16	3 13/16	5 5/16	6 13/16	8 5/16	9 13/16	11 5/16	12 13/16

Model XG-6610 (40-9 & 42-9)								
S=1 Slot	Number of Slots							
	1	2	3	4	5	6	7	8
A	1 13/16	3 9/16	5 5/16	7 1/16	8 13/16	10 9/16	12 5/16	14 1/16
D1	2 1/16	3 13/16	5 9/16	7 5/16	9 1/16	10 13/16	12 9/16	14 5/16
D2	2 3/8	4 1/8	5 7/8	7 5/8	9 3/8	11 1/8	12 7/8	14 5/8
W	2 9/16	4 5/16	6 1/16	7 13/16	9 9/16	11 5/16	13 1/16	14 13/16

Model XG-6615 (40-9 & 42-9)								
S=1 1/2 Slot	Number of Slots							
	1	2	3	4	5	6	7	8
A	2 5/16	4 9/16	6 13/16	9 1/16	N/A	N/A	N/A	N/A
D1	2 9/16	4 13/16	7 1/16	9 5/16	N/A	N/A	N/A	N/A
D2	2 7/8	5 1/8	7 3/8	9 5/8	N/A	N/A	N/A	N/A
W	3 1/16	5 5/16	7 9/16	9 13/16	N/A	N/A	N/A	N/A

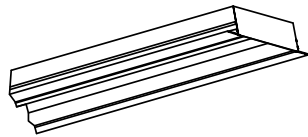
MODEL XG-6600

**Model: XG-6600R-50-1 (Surface Mount
- No Hardware/Tape and Spackle)**

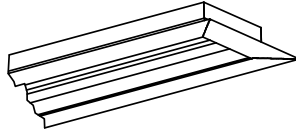


* Recommended Face Screw Mount
for 50-1, Screw Holes not Provided

End Cap

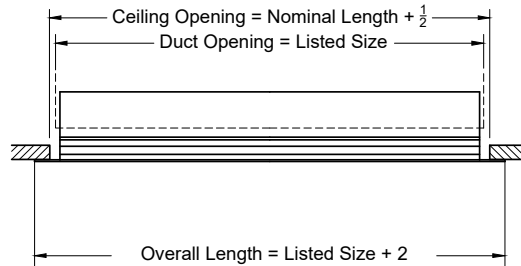
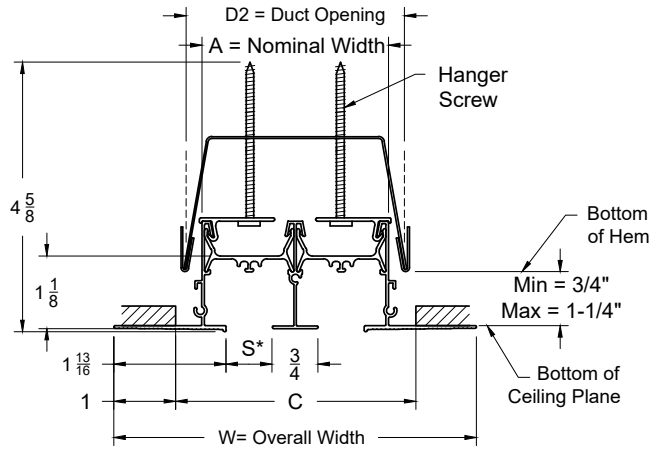


Mitered Border



Air Deflection Patterns

**Model: XG-6600R-52-1 (Concealed Surface Mount
- 1 13/16" Border - With Hardware)**



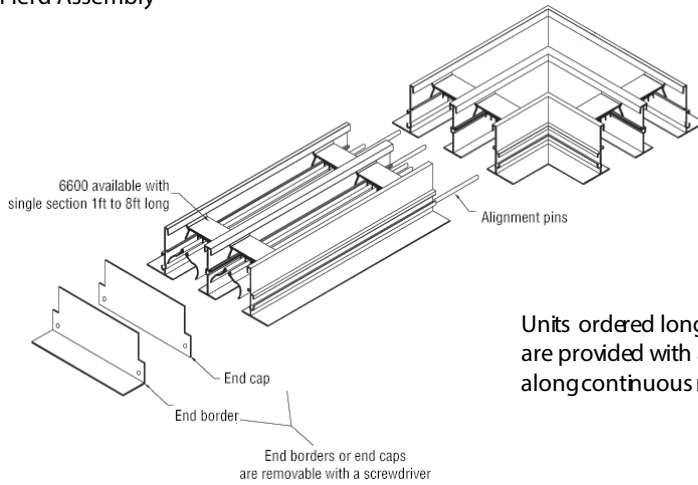
Model XG-6675 (50-1 & 52-1)								
S=3/4 Slot	Number of Slots							
	1	2	3	4	5	6	7	8
A	1 9/16	3 1/16	4 9/16	6 1/16	7 9/16	9 1/16	10 9/16	12 1/8
D1	2	3 1/2	5	6 1/2	8	9 3/4	11	12 1/2
D2	2 1/2	4	5 1/2	7	8 1/2	10 1/4	11 1/2	13
C	2 1/8	3 5/8	5 1/8	6 5/8	8 1/8	9 7/8	11 1/8	12 5/8
W	4 3/8	5 7/8	7 3/8	8 7/8	10 3/8	11 7/8	13 3/8	14 7/8

Model XG-6610 (50-1 & 52-1)								
S=1 Slot	Number of Slots							
	1	2	3	4	5	6	7	8
A	1 13/16	3 9/16	5 5/16	7 1/16	8 13/16	10 9/16	12 5/16	14 1/16
D1	2 1/4	4	5 5/8	7 1/2	9 1/4	11	12 3/4	14 1/2
D2	2 3/4	4 1/2	6 1/8	8	9 3/4	11 1/2	13 1/4	15
C	2 3/8	4 1/8	5 3/4	7 5/8	9 3/8	11 1/8	12 7/8	14 5/8
W	4 5/8	6 3/8	8 1/8	9 7/8	11 5/8	13 3/8	15 1/8	16 7/8

Model XG-6615 (50-1 & 52-1)								
S=1 1/2 Slot	Number of Slots							
	1	2	3	4	5	6	7	8
A	2 5/16	4 9/16	6 13/16	9 1/16	N/A	N/A	N/A	N/A
D1	2 3/4	5	7 1/4	9 1/2	N/A	N/A	N/A	N/A
D2	3 1/4	6	7 3/4	10	N/A	N/A	N/A	N/A
C	2 7/8	5	7 3/8	9 5/8	N/A	N/A	N/A	N/A
W	5 1/8	7	9 5/8	11 7/8	N/A	N/A	N/A	N/A

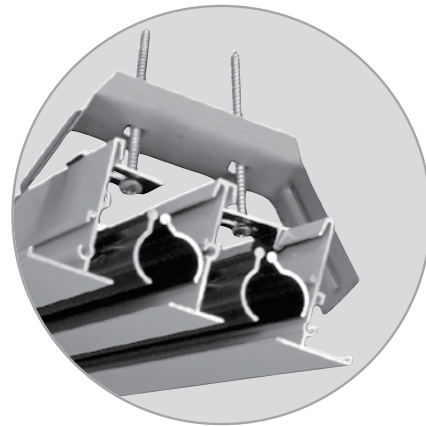
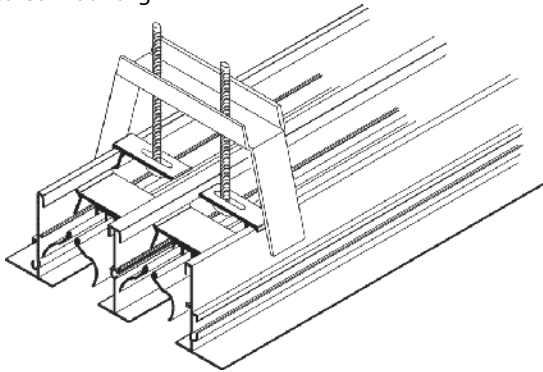
SERIES XG-6600 INSTALLATION

Field Assembly



Units ordered longer than 8ft are shipped in multiple sections. Units are provided with alignment pins to keep the XG-6600 diffusers straight along continuous runs.

Concealed Mounting

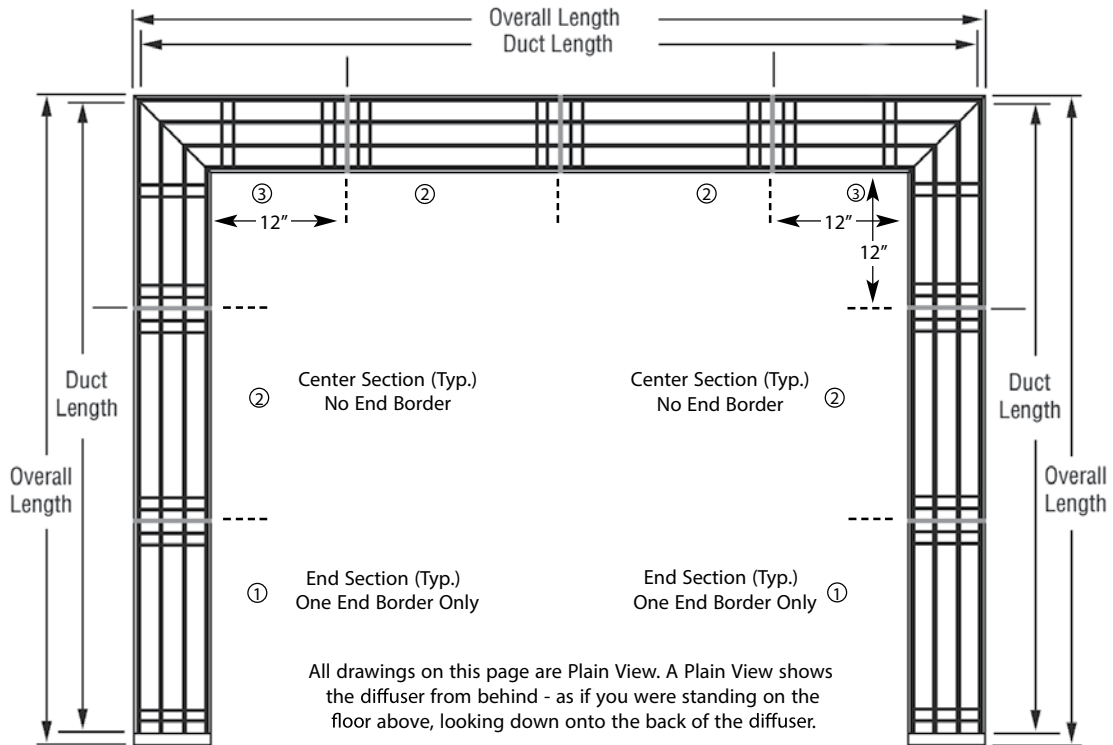


- Concealed Mounting makes installation easy
- Units are inserted into hemmed plenum and secured in place by tightening screws through the face

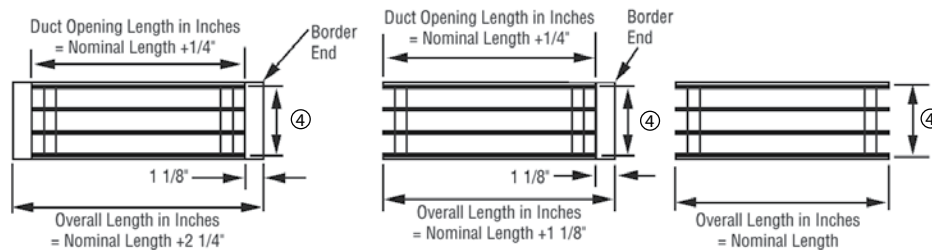
SERIES XG-6600 INSTALLATION

MODELS XG-6650-11-1 Surface Mount

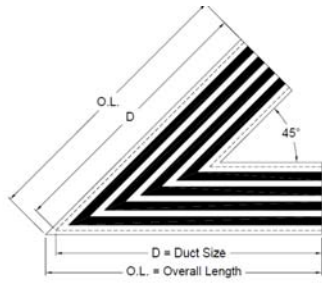
MODELS XG-6650-12-1 Concealed Mounting



Single Section, Two End Borders (Not Shown) ① **End Section, One End Border** ② **Center Section, No End Borders**

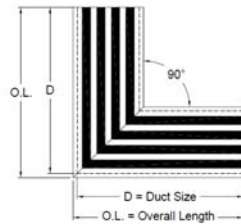


③ 12" Inside Leg Face Dimension



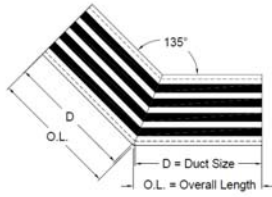
XG-6650MC 45 1/2" Slot
XG-6675MC 45 3/4" Slot
XG-6610MC 45 1" Slot
XG-6615MC 45 1-1/2" Slot

Number of Slots	Duct Size (All Models)	Mitered Corner Models (1/2", 3/4", or 1" Slot)				
		XG-6600MC 11-1 XG-6600MC 12-1 XG-6600MC 10-6 XG-6600MC 12-6	XG-6600MC-20-6 XG-6600MC-22-73 XG-6600MC-20-74	XG-6600MC-30-6	XG-6600MC-40-7 XG-6600MC-42-7 XG-6600MC-40-8	XG-6600MC-40-9
		O.L.	O.L.	O.L.	O.L.	O.L.
1 - 2	24	24 3/4	24 27/32	24 5/16	24 29/32	24 29/32
3 - 5	36	36 3/4	36 27/32	36 5/16	36 29/32	36 29/32
6 - 8	48	48 3/4	48 27/32	48 5/16	48 29/32	48 29/32



XG-6650MC 90 1/2" Slot
XG-6675MC 90 3/4" Slot
XG-6610MC 90 1" Slot
XG-6615MC 90 1-1/2" Slot

Number of Slots	Duct Size (All Models)	Mitered Corner Models (1/2", 3/4", or 1" Slot)				
		XG-6600MC 11-1 XG-6600MC 12-1 XG-6600MC 10-6 XG-6600MC 12-6	XG-6600MC-20-6 XG-6600MC-22-73 XG-6600MC-20-74	XG-6600MC-30-6	XG-6600MC-40-7 XG-6600MC-42-7 XG-6600MC-40-8	XG-6600MC-40-9
		O.L.	O.L.	O.L.	O.L.	O.L.
1 - 2	12	12 23/32	12 11/32	12 1/8	12 3/8	12 3/8
4 - 8	24	24 23/32	24 11/32	24 1/8	24 3/8	24 3/8



XG-6650MC 135 1/2" Slot
XG-6675MC 135 3/4" Slot
XG-6610MC 135 1" Slot
XG-6615MC 135 1-1/2" Slot

Number of Slots	Duct Size (All Models)	Mitered Corner Models (1/2", 3/4", or 1" Slot)				
		XG-6600MC 11-1 XG-6600MC 12-1 XG-6600MC 10-6 XG-6600MC 12-6	XG-6600MC-20-6 XG-6600MC-22-73 XG-6600MC-20-74	MXG-6600MC-30-6	XG-6600MC-40-7 XG-6600MC-42-7 XG-6600MC-40-8	XG-6600MC-40-9
		O.L.	O.L.	O.L.	O.L.	O.L.
1 - 2	12	12 13/32	12 1/4	12 5/32	12 9/32	12 9/32
4 - 8	24	24 13/32	24 1/4	24 5/32	24 9/32	24 9/32

SPECIAL ANGLE

XG-6650MC SA 1/2" Slot
XG-6675MC SA 3/4" Slot
XG-6610MC SA 1" Slot
XG-6615MC SA 1-1/2" Slot

XG-6600 MODEL NUMBER SPECIFICATION
MODEL XG-6600

Mounting Styles	Border Width	T-bar Lay-in	Surface Mount	Concealed Spline	Drop Face	Narrow Tee	Mud Flange
Screw Mounted	1 1/8		XG-6600-11-1				
Concealed Mtg Hardware	1 1/8	XG-6600-12-6	XG-6600-12-1				
	3/4	XG-6600-22-6					
	1/2	XG-6600-32-6					
	25/32			XG-6600-42-7	XG-6600-42-8	XG-6600-42-9	
	1-13/16						XG-6600-52-1
No Mtg. Hardware	1 1/8	XG-6600-10-6					
	3/4	XG-6600-20-6					
	1/2	XG-6600-30-6					
	25/32			XG-6600-40-7	XG-6600-40-8	XG-6600-40-9	
	1-13/16						XG-6600-50-1

Concealed Spline	Concealed Wall Mounting	Plaster Concealed Wall Mounting
Plaster Mtg Frame	Spline Plaster Mtg Frame	Wall Mtg Frame
3/4 Border XG-6600-22-73	3/4 Border XG-6600-22-74	3/4 Border XG-6600-22-75

Number of Slots Available	Slot Width	Model #	Available Finishes		Available Accessories
1 through 8	1/2	XG-6650	Standard		Boot Plenums
	3/4	XG-6675	20	White / Black PC	
	1	XG-6610	Optional		
	1 1/2	XG-6615	21	Clear Anodized	
			28	Custom Color	

SERIES XG-6600 PERFORMANCE DATA
MODEL XG-6650 1/2" SLOT - CFM PER LINEAR FOOT

Slots	Static Pressure	Horizontal Vertical	.005	.021	.047	.083	.130	.188	.255	.334	.422	.521
			.004	.015	.033	.058	.091	.132	.179	.234	.295	.365
1	CFMLF		5	10	15	20	25	30	35	40	45	50
	Horizontal Throw		1-1-6	3-6-12	6-10-14	10-12-17	11-13-19	12-14-20	13-16-22	14-17-24	14-18-25	15-19-26
	Vertical Throw		2	7	9	11	12	13	14	15	16	17
	Horizontal NC		<15	<15	<15	17	22	27	30	34	36	38
	Vertical NC		<15	<15	<15	<15	<15	15	18	22	24	26
2	CFMLF		10	20	30	40	50	60	70	80	90	100
	Horizontal Throw		1-2-8	4-8-17	8-14-20	14-17-24	15-19-26	17-20-29	18-22-31	19-24-33	20-25-35	22-36-37
	Vertical Throw		3	9	13	15	17	18	20	21	23	24
	Horizontal NC		<15	<15	<15	20	25	30	33	37	39	41
	Vertical NC		<15	<15	<15	<15	<15	18	21	25	27	29
3	CFMLF		16	30	45	60	75	90	105	120	135	150
	Horizontal Throw		2-4-13	6-13-20	13-18-25	17-20-29	19-23-32	20-25-35	22-27-38	18-22-31	19-24-33	20-25-35
	Vertical Throw		5	11	16	18	21	23	24	26	28	29
	Horizontal NC		<15	<15	15	22	27	32	35	39	41	43
	Vertical NC		<15	<15	<15	<15	15	20	23	27	29	31
4	CFMLF		20	40	60	80	100	120	140	160	180	200
	Horizontal Throw		3-6-15	10-15-24	15-20-29	19-24-33	22-26-37	24-29-41	26-31-44	27-33-47	29-35-50	31-37-53
	Vertical Throw		5	13	18	21	24	26	28	30	32	34
	Horizontal NC		<15	<15	17	24	29	33	36	40	42	44
	Vertical NC		<15	<15	<15	<15	17	21	24	28	30	32
5	CFMLF		25	50	75	100	125	150	175	200	225	250
	Horizontal Throw		3-7-16	11-16-25	16-23-32	22-26-30	24-30-42	26-32-46	29-35-49	31-37-53	32-40-56	34-42-59
	Vertical Throw		6	19	23	26	29	32	34	37	39	41
	Horizontal NC		<15	<15	19	26	31	35	37	41	43	45
	Vertical NC		<15	<15	<15	<15	19	23	25	29	31	33
6	CFMLF		30	60	90	120	150	180	210	240	270	300
	Horizontal Throw		4-8-20	14-20-29	20-25-35	24-29-41	26-32-46	29-35-50	31-38-54	33-41-58	35-43-61	37-56-65
	Vertical Throw		6	16	23	26	20	32	34	37	39	41
	Horizontal NC		<15	17	20	27	32	36	38	42	44	46
	Vertical NC		<15	<15	<15	15	20	24	26	30	32	35
7	CFMLF		35	70	105	140	175	210	245	280	315	350
	Horizontal Throw		5-9-18	12-18-31	18-27-38	24-31-44	29-35-49	31-38-54	34-41-59	36-44-63	38-47-66	40-49-70
	Vertical Throw		7	17	24	28	31	34	37	40	42	45
	Horizontal NC		<15	18	21	28	33	37	39	43	45	47
	Vertical NC		<15	<15	<15	16	21	25	27	31	33	35
8	CFMLF		40	80	120	160	200	240	280	320	360	400
	Horizontal Throw		6-10-19	13-19-33	19-29-41	26-33-47	31-37-53	33-41-58	36-44-63	39-47-67	41-50-71	45-53-75
	Vertical Throw		7	18	26	30	34	37	40	43	45	48
	Horizontal NC		<15	20	22	29	34	39	40	44	46	48
	Vertical NC		<15	<15	<15	17	22	27	28	32	34	36

SERIES XG-6600 PERFORMANCE DATA
MODEL XG-6675 3/4" SLOT - CFM PER LINEAR FOOT

Slots	Static Pressure	Horizontal Vertical	0.011	0.024	0.042	0.066	0.095	0.129	0.168	0.213	0.263	0.318
			.007	.014	.025	.040	.057	.077	.101	.128	.158	.191
1	CFMLF		10	15	20	25	30	35	40	45	50	55
	Horizontal Throw		1-2-6	2-4-14	3-6-22	4-10-24	6-14-27	9-19-29	11-22-31	14-26-33	18-24-35	20-26-36
	Vertical Throw		2	6	10	12	13	14	15	16	17	18
	Horizontal NC		<15	<15	<15	15	19	23	25	28	31	33
	Vertical NC		<15	<15	<15	<15	<15	<15	<15	16	19	21
2	CFMLF		20	30	40	50	60	70	80	90	100	110
	Horizontal Throw		1-3-10	3-6-22	5-10-29	7-16-35	10-22-38	14-26-41	19-29-44	22--33-46	25-35-49	27-36-51
	Vertical Throw		4	8	14	17	18	20	21	23	24	25
	Horizontal NC		<15	<15	<15	18	22	26	28	31	34	36
	Vertical NC		<15	<15	<15	<15	<15	<15	16	19	22	24
3	CFMLF		30	45	60	75	90	105	120	135	150	165
	Horizontal Throw		1-3-13	3-7-27	6-13-36	9-20-41	13-27-44	17-32-48	23-36-51	27-39-54	30-41-57	33-43-60
	Vertical Throw		4	10	17	21	23	24	26	28	29	31
	Horizontal NC		<15	<15	<15	20	24	28	30	33	35	37
	Vertical NC		<15	<15	<15	<15	<15	16	18	21	23	25
4	CFMLF		40	60	80	100	120	140	160	180	200	220
	Horizontal Throw		4-10-24	10-18-36	16-24-42	20-30-47	24-36-51	28-39-55	32-42-59	36-44-63	38-47-66	40-49-70
	Vertical Throw		5	11	20	24	26	28	30	32	34	35
	Horizontal NC		<15	15	16	22	25	30	31	35	37	39
	Vertical NC		<15	<15	<15	<15	<15	18	19	23	25	27
5	CFMLF		50	75	100	125	150	175	200	225	250	275
	Horizontal Throw		10-15-30	15-23-41	20-30-47	25-37-52	30-41-57	35-44-62	38-47-66	41-50-70	43-52-74	45-55-78
	Vertical Throw		6	13	22	27	29	31	34	36	38	39
	Horizontal NC		<15	16	17	23	26	32	33	36	38	40
	Vertical NC		<15	<15	<15	<15	<15	20	21	24	20	28
6	CFMLF		60	90	120	150	180	210	240	270	300	330
	Horizontal Throw		10-15-29	15-22-44	20-29-51	24-37-57	29-44-63	34-48-68	39-51-73	44-54-77	47-57-81	49-60-85
	Vertical Throw		6	14	24	29	32	34	37	39	41	43
	Horizontal NC		<15	17	19	24	28	33	34	37	39	41
	Vertical NC		<15	<15	<15	<15	16	21	22	25	27	29
7	CFMLF		70	105	140	175	210	245	280	315	350	385
	Horizontal Throw		11-16-32	16-24-48	21-32-55	26-40-63	32-48-68	37-52-73	42-55-78	48-59-83	51-62-88	53-65-92
	Vertical Throw		7	15	26	31	34	37	40	42	45	47
	Horizontal NC		16	18	20	24	29	34	35	38	40	42
	Vertical NC		<15	<15	<15	<15	17	22	23	26	28	30
8	CFMLF		80	120	160	200	240	280	320	360	400	440
	Horizontal Throw		11-17-34	17-25-51	23-34-59	28-42-66	34-51-73	40-55-78	45-59-84	51-63-89	54-66-94	57-70-99
	Vertical Throw		7	16	28	34	37	40	43	45	48	50
	Horizontal NC		18	19	22	25	30	35	37	39	41	43
	Vertical NC		<15	<15	<15	<15	18	23	25	27	29	31

LINEAR DIFFUSERS
AND GRILLES

LINEAR SLOT DIFFUSERS

XG-6600

SERIES XG-6600 PERFORMANCE DATA
MODEL XG-6610 1" SLOT - CFM PER LINEAR FOOT

Slots	Static Pressure	Horizontal Vertical	.008	.030	.047	.068	.092	.120	.152	.188	.227	.270
			.003	.012	.020	.028	.037	.040	.061	.076	.092	.109
1	CFMLF		10	20	25	30	35	40	45	50	55	60
	Horizontal Throw		1-2-6	3-6-22	4-10-24	6-14-27	9-19-29	11-22-31	14-23-33	18-24-35	20-26-36	22-27-38
	Vertical Throw		2	10	12	13	14	15	16	17	18	18
	Horizontal NC		<15	<15	<15	<15	19	22	24	26	28	30
	Vertical NC		<15	<15	<15	<15	<15	<15	<15	<15	16	18
2	CFMLF		20	40	50	60	70	80	90	100	110	120
	Horizontal Throw		1-3-10	5-10-29	7-16-35	10-22-38	14-26-41	19-29-44	22-33-46	25-35-49	27-36-51	29-38-54
	Vertical Throw		4	14	17	18	20	21	23	24	25	26
	Horizontal NC		<15	<15	<15	<15	21	25	27	29	31	33
	Vertical NC		<15	<15	<15	<15	<15	<15	15	17	19	21
3	CFMLF		30	60	75	90	105	120	135	150	165	180
	Horizontal Throw		3-7-18	12-18-36	15-23-41	18-27-44	21-32-48	24-26-51	27-39-54	30-41-57	33-43-60	36-44-63
	Vertical Throw		4	17	21	23	24	26	28	29	31	32
	Horizontal NC		<15	<15	<15	17	22	27	28	30	32	34
	Vertical NC		<15	<15	<15	<15	<15	15	16	18	20	22
4	CFMLF		40	80	100	120	140	160	180	200	220	240
	Horizontal Throw		4-10-24	16-24-42	20-30-47	24-36-51	28-39-55	32-42-59	36-44-63	38-47-66	40-49-70	42-51-73
	Vertical Throw		5	20	24	26	28	30	32	34	35	37
	Horizontal NC		<15	<15	15	19	24	29	30	32	34	36
	Vertical NC		<15	<15	<15	<15	<15	17	18	20	22	24
5	CFMLF		50	100	125	150	175	200	225	250	275	300
	Horizontal Throw		10-15-30	20-30-47	25-37-52	30-41-57	35-44-62	38-47-66	41-50-70	43-52-74	45-55-78	47-57-81
	Vertical Throw		6	24	29	32	34	37	39	41	43	45
	Horizontal NC		<15	<15	16	21	25	31	32	34	35	37
	Vertical NC		<15	<15	<15	<15	<15	19	20	22	23	25
6	CFMLF		60	120	150	180	210	240	270	300	330	360
	Horizontal Throw		10-15-29	20-29-51	24-37-57	29-44-63	34-48-68	39-51-73	44-54-77	47-57-81	49-60-85	51-63-89
	Vertical Throw		6	24	29	32	34	37	39	41	43	45
	Horizontal NC		<15	15	17	22	27	33	34	35	36	38
	Vertical NC		<15	<15	<15	<15	<15	21	22	23	24	26
7	CFMLF		70	140	175	210	245	280	315	350	385	420
	Horizontal Throw		11-16-32	21-32-55	26-40-62	32-48-68	37-52-73	42-55-78	48-59-83	51-62-88	53-65-92	55-68-96
	Vertical Throw		7	26	31	34	37	40	42	45	47	49
	Horizontal NC		<15	16	18	24	28	34	36	37	37	39
	Vertical NC		<15	<15	<15	<15	16	22	24	25	25	27
8	CFMLF		80	160	200	240	280	320	360	400	440	480
	Horizontal Throw		11-17-34	23-34-59	28-42-66	34-51-73	40-55-78	45-59-84	51-63-89	54-66-94	57-70-98	59-73-103
	Vertical Throw		7	28	34	37	40	43	47	48	50	52
	Horizontal NC		<15	16	20	26	30	35	37	38	39	41
	Vertical NC		<15	<15	<15	<15	18	23	25	26	27	29

SERIES XG-6600 PERFORMANCE DATA
MODEL XG-6615 1 1/2" SLOT - CFM PER LINEAR FOOT

Slots	Static Pressure	Horizontal	0.005	0.038	0.052	0.069	0.089	0.112	0.137	0.165	0.196	0.229
		Vertical	0.006	0.042	0.058	0.077	0.098	0.123	0.151	0.182	0.216	0.253
1	CFM/LF		10	25	30	35	40	45	50	55	60	65
	Horizontal Throw		1-2-6	4-10-24	6-14-27	9-19-29	11-22-31	14-23-33	18-24-35	20-26-36	22-27-38	23-28-39
	Vertical Throw		2	12	13	14	15	16	17	18	18	19
	Horizontal NC		<15	<15	<15	19	22	24	26	28	30	32
	Vertical NC		<15	<15	<15	<15	<15	<15	<15	<15	16	18
2	CFM/LF		20	50	60	70	80	90	100	110	120	130
	Horizontal Throw		1-3-10	7-16-35	10-22-38	14-26-41	19-29-44	22-33-46	25-35-49	27-36-51	29-38-54	32-39-56
	Vertical Throw		4	17	18	20	21	23	24	25	26	27
	Horizontal NC		<15	<15	<15	21	25	27	29	31	33	36
	Vertical NC		<15	<15	<15	<15	<15	15	17	19	21	23
3	CFM/LF		30	75	90	105	120	135	150	165	180	195
	Horizontal Throw		3-7-18	15-23-41	18-27-44	21-32-48	24-36-51	27-39-54	30-41-57	33-43-60	36-44-63	38-46-65
	Vertical Throw		4	21	23	24	26	28	29	31	32	33
	Horizontal NC		<15	<15	17	22	27	28	30	32	34	37
	Vertical NC		<15	<15	<15	<15	15	16	18	20	22	24
4	CFM/LF		40	100	120	140	160	180	200	220	240	260
	Horizontal Throw		4-10-24	20-30-47	24-36-51	28-39-55	32-42-59	36-44-63	38-47-66	40-49-70	42-51-73	44-53-76
	Vertical Throw		5	24	26	28	30	32	34	35	37	38
	Horizontal NC		<15	15	19	24	29	30	32	34	36	39
	Vertical NC		<15	<15	<15	<15	17	18	20	22	24	26

SERIES XG-6600R PERFORMANCE DATA
MODEL XG-6650R 1/2" SLOT WIDTH

Number of Slots	Negative Ps Inches of Water	.020	.040	.060	.080	.100	.150
1	CFM/ft.	15	20	25	30	35	40
	NC	-	20	27	32	37	41
2	CFM/ft.	35	50	60	70	80	95
	NC	-	22	27	32	37	41
3	CFM/ft.	55	80	95	110	125	150
	NC	-	23	28	33	37	42
4	CFM/ft.	70	100	120	140	155	190
	NC	-	24	30	34	37	44
5	CFM/ft.	90	135	155	180	200	245
	NC	-	25	30	34	37	44
6	CFM/ft.	110	155	195	220	245	300
	NC	-	26	33	37	40	96
7	CFM/ft.	130	185	225	260	290	365
	NC	-	27	33	37	41	47
8	CFM/ft.	140	200	245	280	310	385
	NC	-	28	34	38	42	48

SERIES XG-6600R PERFORMANCE DATA
MODEL XG-6675R 3/4" SLOT WIDTH

Number of Slots	Negative Ps Inches of Water	.020	.040	.060	.080	.100	.150
1	CFM/ft.	25	35	45	50	55	70
	NC	-	21	29	32	35	42
2	CFM/ft.	55	80	90	100	110	135
	NC	-	25	29	32	35	42
3	CFM/ft.	90	115	140	160	180	220
	NC	-	26	32	36	40	46
4	CFM/ft.	100	140	175	200	225	275
	NC	-	27	34	38	41	47
5	CFM/ft.	140	185	225	260	290	360
	NC	-	28	34	38	42	48
6	CFM/ft.	160	225	275	320	360	440
	NC	-	29	35	40	43	49
7	CFM/ft.	175	250	305	350	395	480
	NC	-	30	36	40	44	50
8	CFM/ft.	200	285	350	400	450	545
	NC	-	31	37	41	45	51

SERIES XG-6600R PERFORMANCE DATA
MODEL XG-6610R 1" SLOT WIDTH

Number of Slots	Negative Ps Inches of Water	.020	.040	.060	.080	.100	.150
1	CFM/ft.	35	50	60	70	80	95
	NC	-	25	31	36	40	45
2	CFM/ft.	70	100	125	140	155	190
	NC	-	27	33	37	41	47
3	CFM/ft.	105	150	185	210	235	285
	NC	-	29	35	39	43	49
4	CFM/ft.	140	200	250	280	310	380
	NC	-	31	37	41	45	51
5	CFM/ft.	175	250	300	350	390	475
	NC	-	32	38	42	46	52
6	CFM/ft.	210	300	375	420	465	570
	NC	-	33	40	43	47	53
7	CFM/ft.	245	350	425	490	545	665
	NC	-	34	41	44	47	54
8	CFM/ft.	280	400	475	560	620	760
	NC	-	35	42	45	48	55

SERIES XG-6600R PERFORMANCE DATA
MODEL XG-6615R 1.5" SLOT WIDTH

Number of Slots	Negative Ps Inches of Water	.020	.040	.060	.080	.100	.150
1	CFM/ft.	55	80	90	110	130	145
	NC	-	31	33	42	48	50
2	CFM/ft.	100	140	195	220	245	300
	NC	-	29	39	45	51	55
3	CFM/ft.	135	220	275	310	345	415
	NC	-	33	39	43	45	53
4	CFM/ft.	220	320	400	440	480	590
	NC	-	37	41	45	50	56

PERFORMANCE NOTES FOR SERIES XG-6600

All data is tested in accordance with ANSI/ASHRAE 70-2006.

DEFINITION OF UNITS

1. On units without UP/UPI plenums, pressure drop reported is across the diffuser element only
The field supply plenum pressure drop should be included when determining system fan requirements
A good approximation of the static pressure requirements can be calculated by adding the velocity pressure through the plenum inlet to the diffuser section pressure drop
2. NC is based on a 4 ft. section of diffuser
The following table should be used to calculate sound levels for lengths other than 4 ft.
3. To correct throws for lengths other than the 4 ft. lengths used in determining catalog performance, throws should be adjusted per the following table

NC Correction for Length			
Length (feet)	2	4	6
NC Correction	-2	0	2
Throw Correction Multiplier for Length			
Length (feet)	2	4	8
Throw Correction	-7	1	1.2

4. All pressures are in inches of water
5. Isothermal throws are given for terminal velocities of 150, 100 and 50fpm, based upon 4' section
6. Vertical throw values are based on a 50fpm terminal velocity
7. For Vertical supply subtract one NC
8. For Returns minus pattern controllers, deduct 12 NC
9. Throw values are based on a 1-Way discharge from the slot. For 2-Way discharge, throw is based upon the number and size of the slots throwing in each direction, with the total supply air flow split equally between all slots in the unit
10. Data was collected in accordance to ASHRAE standard 70-2006 Method of Testing for rating the performance of air outlets and inlets

MODEL XG-6610SP



Air outlets shall be model XG-6610 (supply) or XG-6610SPR (return) linear slot diffusers manufactured by GREENHECK. Units shall be constructed of heavy gauge extruded aluminum. The units shall be the size and quantity as outline in the plans and specifications. Units shall be available with 1" slot widths.

For supply linear slot diffusers, the pattern controller shall be curved, aerodynamically shaped, capable of adjustment from the face of the diffuser. The pattern controller shall allow adjustment from vertical to horizontal patterns as well as damper the volume through the face of the diffuser. Pattern controllers shall be aluminum construction. Steel pattern controllers are not acceptable.

For return linear slot diffuser, the unit will be provided without pattern controllers to minimize pressure drop and noise. Linear slot diffusers shall be available in one-piece sections up to 6 ft. Units shall be available with one to four slots.

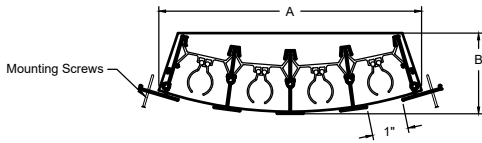
Supply units shall be furnished with the face white and the pattern controller black.

Performance Specification

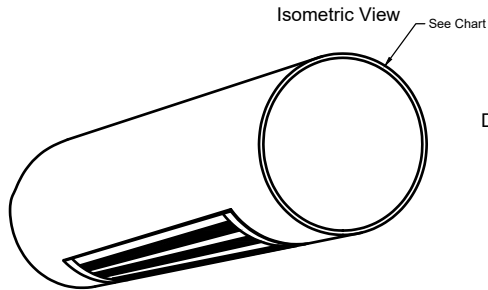
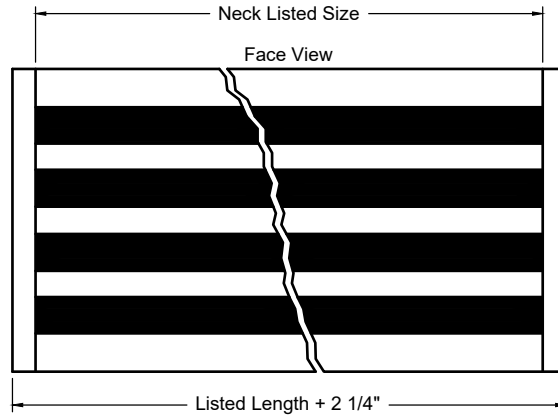
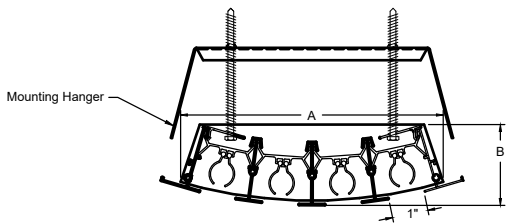
The manufacturer shall provide published performance data. Data shall be tested in accordance to ANSI/ASHRAE Standard 70- 2006.

MODEL XG-6610SP

XG-6610SP-11-1 Supply - Adjustable Linear Slot Diffuser
Extruded Aluminum - 1" Slot Width



XG-6610SP-12-1 Supply - Adjustable Linear Slot Diffuser
Extruded Aluminum - 1" Slot Width



$$\text{Duct Opening Length} = \text{Listed Length} + \frac{1}{4}$$

$$\text{Duct Opening Height} = A + \frac{1}{4}$$

Pipe Diameter	Duct Cut Out Opening			
	1 Slot	2 Slots	3 Slots	4 Slots
10	2-1/2"	4-1/4"	N/A	N/A
12, 14	2-1/2"	4-1/4"	6"	N/A
16	2-1/2"	4-1/4"	6"	8"
18, 20, 22	N/A	4-1/8"	6"	7-7/8"
24, 26, 28	N/A	4-1/8"	6"	7-3/4"
30	N/A	4-1/8"	6"	7-3/4"
38	N/A	4-1/8"	6"	7-3/4"

Note: Duct Cut Out Opening = Normal Length + 1/2

XG-6610 MODEL NUMBER SPECIFICATION
MODEL XG-6610SP/XG-6610RSP

Model #	Available Frame Styles	Pipe Diameter	Available Slots	Available Finishes	
XG-6610SP - Supply	11	10	1, 2	Standard	
XG-6610RSP - Return	12	12	1, 2, 3	20	White / Black PC
		14	1, 2, 3	Optional	
		16	1, 2, 3, 4	21	Clear Anodized / Black PC
		18	1, 2, 3, 4	28	Custom Color / Black PC
		20	1, 2, 3, 4		
		24	1, 2, 3, 4		
		30	1, 2, 3, 4		

SERIES XG-6610SP PERFORMANCE DATA
MODEL XG-6610SP 1" SLOT - CFM PER LINEAR FOOT

Slots	Static Pressure	Horizontal Vertical	.008	.030	.047	.068	.092	.120	.152	.188	.227	.270
			.003	.012	.020	.028	.037	.040	.061	.076	.092	.109
1	CFMLF		10	20	25	30	35	40	45	50	55	60
	Horizontal Throw		1-2-6	3-6-22	4-10-24	6-14-27	9-19-29	11-22-31	14-23-33	18-24-36	20-26-36	22-27-38
	Vertical Throw		2	10	12	13	14	15	16	17	18	18
	Horizontal NC		<15	<15	<15	<15	19	22	24	26	28	30
	Vertical NC		<15	<15	<15	<15	<15	<15	<15	<15	16	18
2	CFMLF		20	40	50	60	70	80	90	100	110	120
	Horizontal Throw		1-3-10	5-10-29	7-16-35	10-22-38	14-26-41	19-29-44	22-33-46	25-35-49	27-36-51	29-38-54
	Vertical Throw		4	14	17	18	20	21	23	24	25	26
	Horizontal NC		<15	<15	<15	<15	21	25	27	29	31	33
	Vertical NC		<15	<15	<15	<15	<15	<15	15	17	19	21
3	CFMLF		30	60	75	90	105	120	135	150	165	180
	Horizontal Throw		3-7-18	12-18-36	15-23-41	18-27-44	21-32-48	24-26-51	27-39-54	30-41-57	33-43-60	36-44-63
	Vertical Throw		4	17	21	23	24	26	28	29	31	32
	Horizontal NC		<15	<15	<15	17	22	27	28	30	32	34
	Vertical NC		<15	<15	<15	<15	<15	15	16	18	20	22
4	CFMLF		40	80	100	120	140	160	180	200	220	240
	Horizontal Throw		4-10-24	16-24-42	20-30-47	24-36-51	28-39-55	32-42-59	36-44-63	38-47-66	40-49-70	42-51-73
	Vertical Throw		5	20	24	26	28	30	32	34	35	37
	Horizontal NC		<15	<15	15	19	24	29	30	32	34	36
	Vertical NC		<15	<15	<15	<15	<15	17	18	20	22	24

SERIES XG-6610R PERFORMANCE DATA
MODEL XG-6610RSP 1" SLOT WIDTH

Number of Slots	Inches of Water	Negative Ps					
		.020	.040	.060	.080	.100	.150
1	CFM/ft.	35	50	60	70	80	95
	NC	-	25	31	36	40	45
2	CFM/ft.	70	100	125	140	155	190
	NC	-	27	33	37	41	47
3	CFM/ft.	105	150	185	210	235	285
	NC	-	29	35	39	43	49
4	CFM/ft.	140	200	250	280	310	380
	NC	-	31	37	41	45	51

PERFORMANCE NOTES FOR SERIES XG-6610

All data is tested in accordance with ANSI/ASHRAE 70-2006.

DEFINITION OF UNITS

1. On units without BP/BPI plenums, pressure drop reported is across the diffuser element only
The field supply plenum pressure drop should be included when determining system fan requirements
A good approximation of the static pressure requirements can be calculated by adding the velocity pressure through the plenum inlet to the diffuser section pressure drop
2. NC is based on a 4 ft. section of diffuser
The following table should be used to calculate sound levels for lengths other than 4 ft.
3. To correct throws for lengths other than the 4 ft. lengths used in determining catalog performance, throws should be adjusted per the following table

NC Correction for Length			
Length (feet)	2	4	6
NC Correction	-2	0	2
Throw Correction Multiplier for Length			
Length (feet)	2	4	8
Throw Correction	-7	1	1.2

4. All pressures are in inches of water
5. Isothermal throws are given for terminal velocities of 150, 100 and 50fpm, based upon 4' section
6. Vertical throw values are based on a 50fpm terminal velocity
7. For Vertical supply subtract one NC
8. For Returns minus pattern controllers, deduct 12 NC
9. Throw values are based on a 1-Way discharge from the slot. For 2-Way discharge, throw is based upon the number and size of the slots throwing in each direction, with the total supply air flow split equally between all slots in the unit
10. Data was collected in accordance to ASHRAE standard 70-2006 Method of Testing for rating the performance of air outlets and inlets

MODEL XG-6600SQ

LINEAR SLOT DIFFUSER – MODULAR – ALUMINUM – MODELS XG-6600SQ/XG-6600SQI/XG-6600SQR



Air diffusers shall be supply models XG-6600SQ (non-insulated) and XG-6600SQI (insulated) or return model XG-6600SQR manufactured by Greenheck. Units shall be constructed of heavy gauge extruded aluminum. Diffusers shall have 1-4 slots with 1/2", 3/4" or 1" slot widths and 1 1/2" slot widths available with 1 or 2 slots. The units shall be the size and quantity as outlined in the plans and specifications.

The supply units shall be square face ceiling diffusers and shall have a factory installed backpan. The backpan must be of sufficient height to allow the center tile (by the ceiling system manufacturer) to be installed from the diffuser face without disassembling the face from the backpan. Devices without back pan attached to the diffuser face will not be allowed. The pattern controllers shall be curved aerodynamically shaped, capable of adjustment from the face of the diffuser. The pattern controllers shall allow adjustment from vertical to horizontal patterns as well as damper the volume through the face of the diffuser. Pattern controllers shall be aluminum construction. Steel pattern controllers are not acceptable.

The return units shall be square face ceiling diffusers and shall have a factory attached light shield. The light shield must be of sufficient height to allow center tile (by the ceiling system manufacturer) to be installed from the diffuser face without disassembling the face from the light shield. Devices without light shield attached to the diffuser face will not be allowed. The face shall be designed to match the appearance of the supply unit.

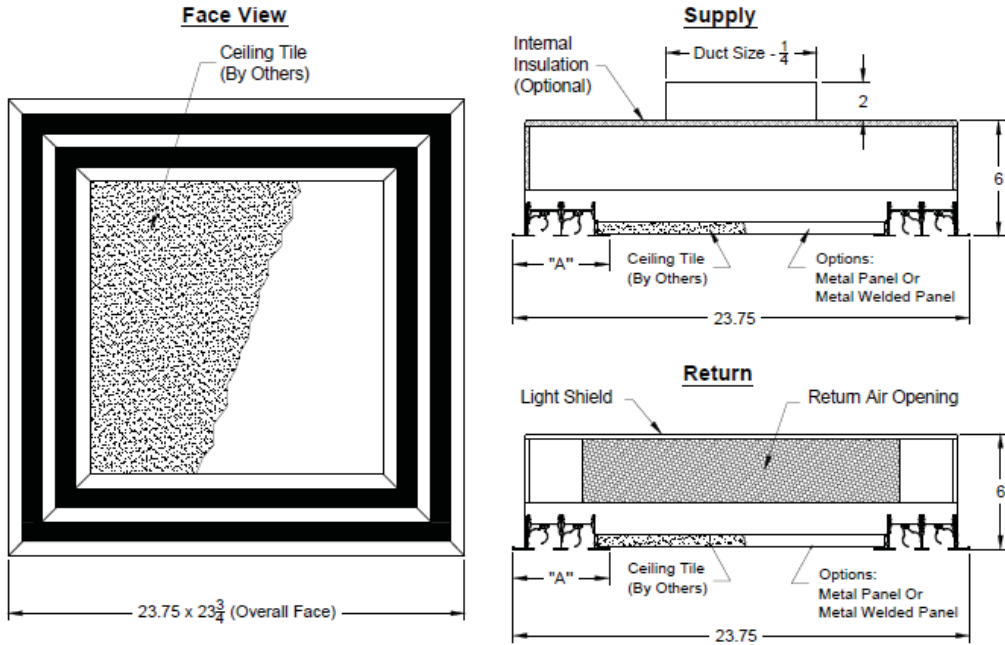
Performance Specification

The manufacturer shall provide published performance data. Data shall be tested in accordance to ANSI/ASHRAE Standard 70-2006.

Paint Specification

Process shall be anodic electro-deposition using an anodic acrylic paint. Units shall undergo pre-treatment including a pressurized spray stage using an alkaline cleaner and a de-ionized water rinse.

MODEL XG-6600SQ



Model	Slot	1 Slot	2 Slot	3 Slot	4 Slot
	Width	A	A	A	A
XG-6650SQ-6	1/2	2 3/4	4	5 1/4	6 1/2
XG-6675SQ-6	3/4	3	4 1/2	6	7 1/2
XG-6610SQ-6	1	3 1/4	5	6 3/4	8 1/2
XG-6615SQ-6	1 1/2	3 3/4	6	N/A	N/A

SERIES XG-6600SQ MODEL NUMBER SPECIFICATION
SUPPLY - MODULAR SLOT ARCHITECTURAL DIFFUSER
MODEL XG-6600SQ

Model		Slot Width	# of Slots	Inlet Size	Module
XG-6600SQ-6	T-bar Lay-in	1/2	1	6	24 x 24
XG-6600SQI-6	T-bar Lay-in Insulated	3/4	2	8	
XG-6600SQ-8	Tegular T-bar	1	3	10	
XG-6600SQI-8	Tegular T-bar Insulated		4	12	
XG-6600SQ-9	Donn Finline	1 1/2	1	14	
XG-6600SQI-9	Donn Finline Insulated		2		

Available Finishes		Available Accessories	
Standard		XG-D3	Aluminum Radial Opposed Blade Damper
20	White Face w/ Black PC	XG-G3	Equalizing Grid
Optional		XG-BDS	Butterfly Damper
21	Clear Anodized Face w/ Black PC	XG-RSD	Radial Shutter Damper
28	Custom Color	XG-TBPF	T-Bar Plaster Frame

RETURN MODULAR SLOT ARCHITECTURAL DIFFUSER
MODEL XG-6600SQR

Model		Slot Width	# Slots	Module	Available Finishes	
XG-6600SQR-6	T-bar Lay-in	1/2	1	24 x 24	Standard	
XG-6600SQR-8	Tegular T-bar	3/4	2		20	White Face
XG-6600SQR-9	Donn Finline	1	3		Optional	
			4		21	Clear Anodized Face
1 1/2			1		28	Custom Color
			2			

SERIES XG-6600SQ PERFORMANCE DATA
MODEL XG-6600SQ 1" SLOT WIDTH

1 Slot 8" Inlet	CFM	100	150	200	250	300	350
	Throw	3-5-10	5-7-13	6-9-15	8-12-18	9-14-20	11-16-22
	Pt	0.023	0.046	0.080	0.122	0.172	0.228
	Ps	0.017	0.034	0.059	0.090	0.125	0.165
	NC	-	-	27	30	38	44
2 Slot 10" Inlet	CFM	150	200	250	330	350	400
	Throw	2-4-10	3-6-12	5-8-15	7-10-17	8-13-21	8-15-24
	Pt	0.030	0.050	0.074	0.103	0.137	0.169
	Ps	0.025	0.041	0.061	0.084	0.110	0.135
	NC	-	-	22	28	35	39
3 Slot 12" Inlet	CFM	200	250	300	350	400	450
	Throw	4-5-10	5-7-13	6-8-16	7-9-19	8-11-21	9-13-23
	Pt	0.028	0.042	0.055	0.074	0.090	0.117
	Ps	0.023	0.035	0.046	0.061	0.074	0.094
	NC	-	-	20	25	29	34
4 Slot 8" Inlet	CFM	250	300	350	400	450	500
	Throw	4-5-10	5-7-13	6-8-15	7-10-19	7-11-20	8-12-22
	Pt	0.034	0.048	0.059	0.071	0.091	0.107
	Ps	0.027	0.038	0.045	0.55	0.68	0.081
	NC	-	20	23	27	30	33

SERIES XG-6600SQ PERFORMANCE DATA
MODEL XG-6600SQ 3/4" SLOT WIDTH

1 Slot 6" Inlet	CFM	50	100	150	200	250	300
	Throw	2-3-5	3-5-9	4-8-13	6-10-16	8-12-18	10-15-20
	Pt	0.013	0.039	0.083	0.145	0.219	0.319
	Ps	0.011	0.033	0.071	0.125	0.187	0.272
	NC	-	-	20	28	32	39
2 Slot 10" Inlet	CFM	100	150	200	250	300	350
	Throw	2-4-7	3-6-10	5-8-13	6-10-16	7-12-18	8-14-20
	Pt	0.015	0.033	0.068	0.087	0.124	0.172
	Ps	0.013	0.026	0.049	0.074	0.105	0.145
	NC	-	-	20	24	26	31
3 Slot 10" Inlet	CFM	150	200	250	300	350	400
	Throw	3-4-9	4-5-12	5-7-15	6-9-17	7-11-19	8-13-22
	Pt	0.023	0.040	0.051	0.078	0.117	0.149
	Ps	0.018	0.031	0.048	0.059	0.090	0.115
	NC	-	-	22	25	28	32
4 Slot 12" Inlet	CFM	200	250	300	350	400	450
	Throw	3-4-8	4-5-11	6-9-15	7-10-18	8-11-20	8-13-22
	Pt	0.025	0.038	0.064	0.075	0.092	0.117
	Ps	0.021	0.031	0.044	0.062	0.075	0.094
	NC	-	-	-	22	25	28

SERIES XG-6600SQ PERFORMANCE DATA
MODEL XG-6600SQ 1/2" SLOT WIDTH

1 Slot 6" Inlet	CFM	50	100	150	175	200	225
	Throw	4-6-8	6-10-15	8-13-19	12-17-22	15-20-29	18-24-35
	Pt	0.028	0.102	0.227	0.302	0.37	0.42
	Ps	0.023	0.086	0.19	0.251	0.305	0.42
	NC	-	27	35	41	48	52
2 Slot 8" Inlet	CFM	75	125	150	200	250	275
	Throw	3-5-7	4-7-10	5-8-12	7-10-15	9-3-19	11-18-22
	Pt	0.034	0.059	0.122	0.021	0.312	0.39
	Ps	0.03	0.051	0.11	0.18	0.28	0.35
	NC	-	-	24	29	38	45
3 Slot 8" Inlet	CFM	100	150	200	225	250	300
	Throw	2-4-5	3-6-7	5-8-11	6-9-13	7-10-15	9-12-18
	Pt	0.042	0.088	0.146	0.187	0.222	0.312
	Ps	0.036	0.076	0.125	0.16	0.19	0.265
	NC	-	-	21	27	35	43
4 Slot 10" Inlet	CFM	150	200	250	275	300	350
	Throw	3-5-6	5-7-8	7-10-12	8-11-14	9-13-17	11-15-21
	Pt	0.061	0.103	0.153	0.191	0.209	0.282
	Ps	0.056	0.094	0.14	0.175	0.19	0.255
	NC	-	22	28	32	37	40

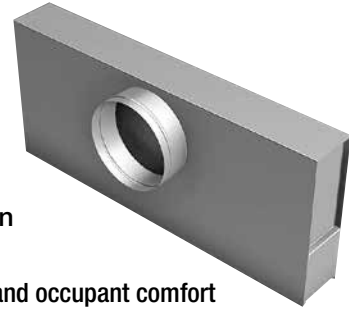
PERFORMANCE NOTES FOR SERIES XG-6600SQ

All data is tested in accordance with ANSI/ASHRAE 70-2006.

DEFINITION OF UNITS

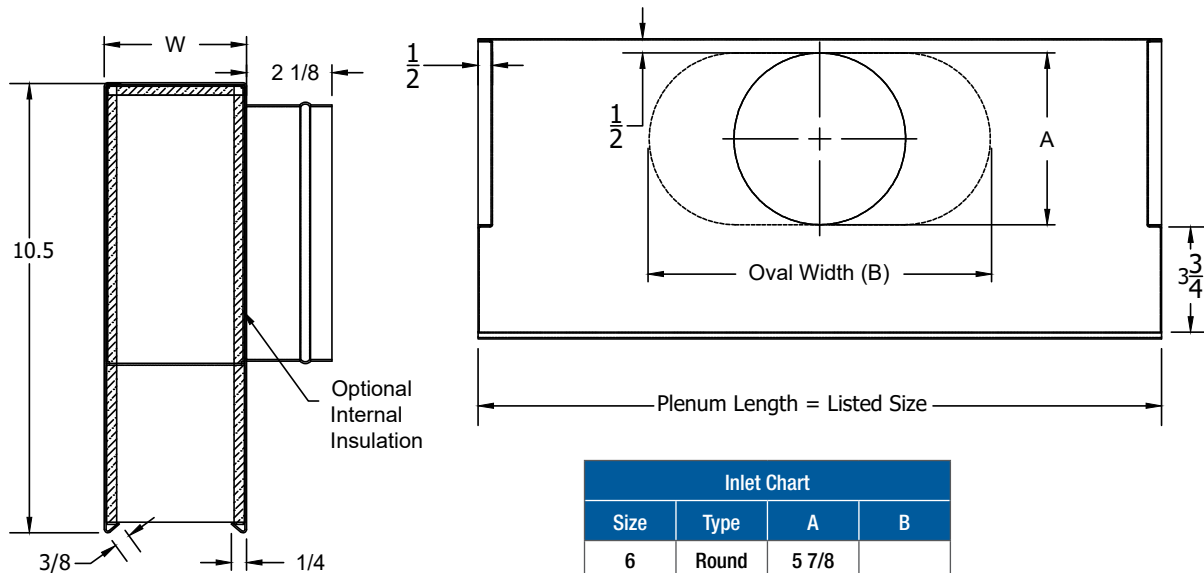
CFM	Cubic Feet per Minute (air)
Horizontal throw	Throw distance in feet at terminal velocities of 150, 100 and 50fpm.
NC	Noise criterion, sound pressure level. NC ratings are based on sound power level (Lw) re: 10 ⁻¹² watts minus a 10 dB room attenuation in all octave bands
Ps	Static pressure = Pt-Pv (inches of water column)
Pt	Total pressure (inches of water column)
Pv	Velocity pressure (inches of water column)
fpm	Velocity of air stream in Feet per Minute

MODEL UP-XG-6600



Model UP-XG-6600 Boot Plenum is an easily installed, economical accessory to the XG-6600 Linear Slot Diffuser. UP-XG-6600 Boot Plenums are designed to connect the series XG-6600 to the ducted supply or return. Factory supplied units reduce both job site fabrication and installation labor.

- Units provide an even distribution of air into the diffuser to maximize inductions and occupant comfort
- Available widths to fit XG-6600 with 1 to 8 slots
- Standard lengths are 24", 36", 48", 60" and 72"
- UPI-XG-6600 is fully insulated including the end caps. Optional Thermopure insulation is available. External insulation also available
- Available with optional LQ, locking quadrant damper, ID, inlet damper, XG-FODR, face operated damper, or XG-ROD, remote operated damper
- UP-XG-6600 is shipped separately from the XG-6600 linear slot diffuser and requires field attachment



Inlet Chart			
Size	Type	A	B
6	Round	5 7/8	
8	Oval	5 7/8	8 15/16
10	Oval	5 7/8	12 1/16
12	Oval	5 7/8	15 1/4
14	Oval	5 7/8	18 7/16

Model XG-6650	20-6 22-6	30-3 32-6	40-7/42-7 40-8/42-8 40-9/42-9	50-152-1 12-1/11-1 10-6/12-6
Number of Slots	DIM W (I.D. Width)	DIM W (I.D. Width)	DIM W (I.D. Width)	DIM W (I.D. Width)
1	2 3/16	2 1/2	2 1/16	2 1/4
2	3 5/16	3 5/8	3 5/16	3 1/2
3	4 11/16	4 1/2	4 9/16	4 3/4
4	5 7/8	6 3/16	5 13/16	6
5	7 1/16	8 3/8	7 1/16	7 1/4
6	8 5/8	8 7/8	8 5/16	8 7/16
7	9 15/16	10 1/4	9 5/8	9 3/4
8	13 13/16	11 1/8	11 1/8	11

Model XG-6675	20-6 22-6	30-3 32-6	40-7/42-7 40-8/42-8 40-9/42-9	50-152-1 12-1/11-1 10-6/12-6
Number of Slots	DIM W (I.D. Width)	DIM W (I.D. Width)	DIM W (I.D. Width)	DIM W (I.D. Width)
1	2 5/16	2 3/4	2 5/16	2 1/2
2	3 13/16	4 3/16	3 13/16	4
3	5 1/2	5 3/4	5 1/16	5 1/2
4	7 1/8	7 1/4	6 13/16	7
5	8 5/16	8 5/8	8 3/16	8 1/2
6	9 13/16	10 1/8	9 13/16	13 13/16
7	11 5/16	11 5/8	11 5/16	11 7/16
8	12 3/4	13 1/16	12 7/8	13

Model XG-6610	20-6 22-6	30-3 32-6	40-7/42-7 40-8/42-8 40-9/42-9	50-152-1 12-1/11-1 10-6/12-6
Number of Slots	DIM W (I.D. Width)	DIM W (I.D. Width)	DIM W (I.D. Width)	DIM W (I.D. Width)
1	2 5/8	2 15/16	2 9/16	2 3/4
2	4 7/16	4 3/4	3 3/8	4 1/2
3	6 1/8	6 1/2	6 1/16	6 1/8
4	7 7/8	8 3/16	7 13/16	8
5	9 3/4	10 1/16	9 5/8	9 11/16
6	1 3/8	11 3/4	11 3/8	11 1/2
7	14 1/4	13 9/16	13 1/8	13 13/16
8	15	15 1/4	14 7/8	14 15/16

Frame Styles							
Length = L =Listed Size ± Linear End Types							
Description	UP/UIP	Border Size	2 EB	1 EB	No Ends	2 EC	1 EC
T-Bar Lay-in	10 - 6	1 - 1/8	-2 1/2	-1 3/8	±0	- 3/16	-7/8
Screw Mount	11 - 1	Not Recommended For This Frame Style					
Concealed Mount	12 - 1	1 - 1/8	±0	±0	±0	NR**	NR**
T-Bar Lay-in	20 - 6	3/4	-1 3/4	-1	±0	NR**	NR**
T-Bar Lay-in	30 - 6	1/2	-1 1/4	-3/4	±0	NR**	NR**
Concealed Spline	40 - 7	22/32	-7/8	-9/16	±0	NR**	NR**
Drop Face	40 - 8	22/32	-7/8	-9/16	±0	NR**	NR**
Bolt Slot	40 - 9	22/32	-7/8	-9/16	±0	NR**	NR**
Sub Plaster Frame	22 - 73	3/4	-1 3/8	-1	±0	NR**	NR**
Sub Plaster/Wall Frames	22 - 74	3/4	-1 3/8	-1	±0	NR**	NR**
Sub Wall Frames	22 - 75	3/4	-1 3/8	-1	±0	NR**	NR**

Note: ** Not Recommended End Type For This Style

UP-XG-6600 MODEL NUMBER SPECIFICATION

MODEL UP-XG-6600

Mounting Styles	Border Width	T-bar Lay-in	Surface Mount	Concealed Spline	Drop Face	Narrow Tee	Mud Flange		
Screw Mounted	1 1/8		UP-XG-6600-11-1						
Concealed Mtg Hardware	1 1/8	UP-XG-6600-12-6	UP-XG-6600-12-1						
	3/4	UP-XG-6600-22-6							
	1/2	UP-XG-6600-32-6							
	25/32		UP-XG-6600-42-7					UP-XG-6600-42-8	UP-XG-6600-42-9
	1-13/16								
No Mtg. Hardware	1 1/8	UP-XG-6600-10-6							
	3/4	UP-XG-6600-20-6							
	1/2	UP-XG-6600-30-6							
	25/32		UP-XG-6600-40-7					UP-XG-6600-40-8	UP-XG-6600-40-9
	1-13/16								

Concealed Spline	Concealed Wall Mtg	Plaster Concealed Wall Mounting
Plaster Mtg Frame	Spline Plaster Mtg Frame	Wall Mtg Frame
3/4" Border UP-XG-6600-22-73	3/4" Border UP-XG-6600-22-74	3/4" Border UP-XG-6600-22-75

UP-XG-6600 MODEL NUMBER SPECIFICATION

MODEL UPI-XG-6600

Mounting Styles	Border Width	T-bar Lay-in	Surface Mount	Concealed Spline	Drop Face	Narrow Tee	Mud Flange		
Screw Mounted	1 1/8"		UPI-XG-6600-11-1						
Concealed Mtg Hardware	1 1/8"	UPI-XG-6600-12-6	UPI-XG-6600-12-1						
	3/4"	UPI-XG-6600-22-6							
	1/2"	UPI-XG-6600-32-6							
	25/32"		UPI-XG-6600-42-7					UPI-XG-6600-42-8	UPI-XG-6600-42-9
	1-13/16								
No Mtg Hardware	1 1/8"	UPI-XG-6600-10-6							
	3/4"	UPI-XG-6600-20-6							
	1/2"	UPI-XG-6600-30-6							
	25/32"		UPI-XG-6600-40-7					UPI-XG-6600-40-8	UPI-XG-6600-40-9
	1-13/16								

Concealed Spline	Concealed Wall Mtg	Plaster Concealed Wall Mounting
Plaster Mtg Frame	Spline Plaster Mtg Frame	Wall Mtg Frame
3/4" Border UPI-XG-6600-22-73	3/4" Border UPI-XG-6600-22-74	3/4" Border UPI-XG-6600-22-75

SERIES XG-6600 UP/UI PERFORMANCE DATA
MODEL UP/UI-XG-6650 – 1 SLOT

6" Inlet	2' Length	CFM	15	30	45	60	75	90	105
		Static Pressure	.010	.038	.086	.153	.240	.345	.470
		Horizontal Throw	1-3-9	6-9-18	9-13-23	12-18-27	15-21-30	18-23-33	20-25-35
		NC	<15	20	28	35	41	45	47
	4' Length	CFM	30	60	90	120	150	180	210
		Static Pressure	.016	.063	.142	.252	.394	.567	.772
		Horizontal Throw	2-4-7	5-7-15	7-11-21	10-15-24	12-18-27	15-21-30	17-23-32
		NC	<15	24	34	41	45	46	49
8" Inlet	2' Length	CFM	20	35	50	65	80	95	110
		Static Pressure	.018	.054	.110	.185	.281	.396	.531
		Horizontal Throw	3-6-12	7-10-20	10-15-24	13-19-28	16-22-31	19-24-34	21-26-36
		NC	<15	18	27	33	38	42	44
	4' Length	CFM	40	70	100	130	160	190	220
		Static Pressure	.018	.056	.115	.194	.294	.415	.556
		Horizontal Throw	3-5-10	6-9-17	8-12-22	11-16-25	13-20-28	16-22-31	18-23-33
		NC	<15	24	33	39	43	45	45
10" Inlet	2' Length	CFM	30	45	60	75	90	105	120
		Static Pressure	.056	.126	.225	.351	.505	.688	.899
		Horizontal Throw	6-9-18	9-13-23	12-18-27	15-21-30	18-23-33	20-25-35	22-27-38
		NC	<15	22	29	34	39	42	43
	4' Length	CFM	60	90	120	150	180	210	240
		Static Pressure	.036	.082	.146	.227	.328	.446	.582
		Horizontal Throw	5-7-15	7-11-21	10-15-22	12-18-27	15-21-30	17-23-32	20-24-35
		NC	19	27	34	40	45	48	51
12" Inlet	2' Length	CFM	45	60	75	90	105	120	135
		Static Pressure	.047	.083	.129	.186	.254	.331	.419
		Horizontal Throw	9-13-23	12-18-27	15-21-30	18-23-33	20-25-35	22-27-38	23-28-40
		NC	24	28	32	35	39	42	45
	4' Length	CFM	90	120	150	180	210	240	270
		Static Pressure	.098	.175	.273	.393	.535	.699	.884
		Horizontal Throw	7-11-21	10-15-24	12-18-27	15-21-30	17-23-32	20-24-35	21-26-37
		NC	23	30	36	41	45	48	51

SERIES XG-6600 UP/UI PERFORMANCE DATA
MODEL UP/UI-XG-6650 – 2 SLOT

6" Inlet	2' Length	CFM	20	40	60	80	100	120	140
		Static Pressure	.007	.028	.064	.114	.178	.256	.349
		Horizontal Throw	1-2-8	4-8-17	8-12-25	11-17-31	14-21-35	17-25-38	12-29-41
		NC	<15	15	25	32	38	43	46
	4' Length	CFM	30	60	90	120	150	180	210
		Static Pressure	.010	.041	.093	.166	.259	.373	.507
		Horizontal Throw	1-2-5	3-5-10	5-8-16	7-10-21	9-13-26	10-16-30	12-18-32
		NC	<15	<15	24	32	37	41	43
8" Inlet	2' Length	CFM	25	45	65	85	105	125	145
		Static Pressure	.007	.023	.049	.084	.128	.181	.244
		Horizontal Throw	1-3-10	5-9-19	9-14-27	12-18-32	15-22-35	17-26-39	20-29-42
		NC	<15	<15	23	29	35	39	43
	4' Length	CFM	50	90	130	170	210	250	290
		Static Pressure	.014	.045	.094	.161	.245	.348	.468
		Horizontal Throw	3-4-9	5-8-16	8-11-23	10-15-29	12-18-32	14-22-35	17-25-38
		NC	<15	20	29	36	41	45	46
10" Inlet	2' Length	CFM	35	55	75	95	115	135	156
		Static Pressure	.013	.032	.059	.095	.139	.191	.252
		Horizontal Throw	3-6-15	7-11-23	10-16-30	13-20-34	16-24-37	19-28-40	21-30-43
		NC	<15	17	23	29	34	38	41
	4' Length	CFM	70	110	150	190	230	270	310
		Static Pressure	.019	.047	.088	.142	.207	.286	.377
		Horizontal Throw	4-6-12	6-10-19	9-13-26	11-16-31	13-20-34	16-23-27	18-27-39
		NC	<15	21	29	35	40	43	45
12" Inlet	2' Length	CFM	50	70	90	110	130	150	170
		Static Pressure	.024	.047	.078	.117	.163	.217	.279
		Horizontal Throw	6-10-21	10-15-29	12-19-33	15-23-36	18-27-39	21-30-42	24-32-45
		NC	<15		17	21	24	28	31
	4' Length	CFM	100	140	180	220	260	300	340
		Static Pressure	.027	.053	.087	.130	.181	.241	.310
		Horizontal Throw	5-9-17	8-12-24	10-16-30	13-19-33	15-23-36	17-26-39	20-29-41
		NC	16	23	29	34	38	41	43

SERIES XG-6600 UP/UI PERFORMANCE DATA
MODEL UP/UI-XG-6650 — 3 SLOT

6" Inlet	2' Length	CFM	25	50	75	100	125	150	175
		Static Pressure	.008	.033	.073	.130	.203	.293	.398
		Horizontal Throw	1-2-7	3-7-17	7-13-25	11-17-34	14-21-39	17-25-42	20-30-46
		NC	<15	15	24	31	36	40	43
	4' Length	CFM	40	75	115	150	190	225	265
		Static Pressure	.015	.054	.127	.216	.347	.486	.674
		Horizontal Throw	1-2-6	4-5-11	5-8-16	7-11-21	8-13-27	11-16-32	12-19-36
		NC	<15	<15	23	29	36	40	44
8" Inlet	2' Length	CFM	35	55	80	105	130	155	180
		Static Pressure	.009	.022	.046	.079	.122	.173	.233
		Horizontal Throw	2-3-12	4-9-19	8-14-27	12-18-35	15-22-39	18-26-43	20-31-46
		NC	<15	<15	21	28	33	37	41
	4' Length	CFM	70	110	160	210	260	310	360
		Static Pressure	.021	.052	.109	.188	.289	.410	.553
		Horizontal Throw	3-5-10	5-8-16	8-11-23	10-15-30	12-18-36	15-22-39	17-25-42
		NC	<15	18	27	34	39	44	47
10" Inlet	2' Length	CFM	45	65	90	115	140	165	190
		Static Pressure	.011	.023	.044	.072	.106	.147	.195
		Horizontal Throw	3-6-15	5-11-22	10-15-31	13-20-37	16-24-41	19-28-44	21-32-48
		NC	<15	<15	21	27	32	36	39
	4' Length	CFM	90	130	180	230	280	330	380
		Static Pressure	.023	.048	.091	.149	.221	.307	.407
		Horizontal Throw	4-6-13	6-9-18	8-13-25	11-16-33	13-20-36	16-23-39	18-27-42
		NC	<15	20	27	33	38	42	45
12" Inlet	2' Length	CFM	65	85	110	135	160	185	210
		Static Pressure	.022	.038	.063	.095	.133	.178	.229
		Horizontal Throw	5-11-22	9-14-29	12-19-36	15-23-40	18-27-44	21-31-47	24-35-50
		NC	<15	16	20	23	26	29	32
	4' Length	CFM	130	170	220	270	320	370	420
		Static Pressure	.027	.046	.077	.117	.164	.219	.282
		Horizontal Throw	6-9-18	8-12-24	10-16-31	13-19-37	15-23-40	17-26-43	20-30-46
		NC	17	22	27	33	37	41	44

SERIES XG-6600 UP/UI PERFORMANCE DATA
MODEL UP/UI-XG-6650 – 4 SLOT

6" Inlet	2' Length	CFM	40	65	90	115	140	165	190
		Static Pressure	.018	.047	.090	.147	.218	.302	.401
		Horizontal Throw	1-3-12	3-8-19	7-13-26	11-17-34	14-21-41	16-24-44	19-28-48
		NC	<15	16	24	30	36	39	42
	4' Length	CFM	60	100	<15	175	210	250	285
		Static Pressure	.031	.087	.159	.267	.385	.546	.709
		Horizontal Throw	1-3-7	4-6-12	6-8-17	7-11-21	9-13-26	10-15-31	12-17-35
		NC	<15	16	24	31	35	37	37
8" Inlet	2' Length	CFM	50	80	110	140	170	200	230
		Static Pressure	.014	.036	.069	.112	.164	.228	.301
		Horizontal Throw	2-5-15	5-12-24	10-16-32	14-21-41	17-25-45	20-29-49	23-34-53
		NC	<15	17	24	30	35	39	42
	4' Length	CFM	75	120	165	210	255	300	345
		Static Pressure	.022	.056	.107	.173	.255	.353	.467
		Horizontal Throw	2-5-9	5-7-15	7-10-20	9-13-26	10-16-31	12-18-37	14-21-42
		NC	<15	16	23	29	34	38	40
10" Inlet	2' Length	CFM	60	90	120	150	180	210	240
		Static Pressure	.014	.032	.056	.088	.127	.173	.226
		Horizontal Throw	3-7-18	7-13-26	12-18-35	15-22-42	18-26-46	21-31-50	24-35-54
		NC	<15	17	23	29	33	37	41
	4' Length	CFM	95	135	180	225	270	315	360
		Static Pressure	.021	.043	.077	.120	.174	.236	.308
		Horizontal Throw	4-6-12	6-8-17	7-11-22	9-14-28	11-17-33	13-19-38	15-22-41
		NC	<15	16	23	28	33	36	39
12" Inlet	2' Length	CFM	80	120	160	200	240	280	320
		Static Pressure	.018	.041	.073	.114	.164	.223	.292
		Horizontal Throw	5-12-24	12-18-35	16-24-44	20-29-49	24-35-54	27-41-58	31-44-62
		NC	<15	<15	20	24	28	32	35
	4' Length	CFM	120	180	240	300	360	420	480
		Static Pressure	.018	.040	.071	.111	.159	.217	.283
		Horizontal Throw	5-7-15	7-11-22	10-15-29	12-18-37	15-22-42	17-26-46	20-29-49
		NC	<15	19	25	31	35	39	42

SERIES XG-6600 UP/UI PERFORMANCE DATA
MODEL UP/UI-XG-6675 — 1 SLOT

6" Inlet	2' Length	CFM	20	35	50	65	80	95	110
		Static Pressure	.014	.043	.088	.148	.224	.316	.424
		Horizontal Throw	1-3-10	4-8-17	8-12-24	10-16-28	13-19-31	15-23-34	10-26-36
		NC	<15	18	26	32	37	41	45
	4' Length	CFM	30	55	75	97.5	120	145	165
		Static Pressure	.009	.026	.054	.091	.137	.194	.259
		Horizontal Throw	2-3-6	4-5-11	5-8-15	7-10-20	8-12-24	10-14-27	11-17-29
		NC	<15	18	25	30	36	40	44
8" Inlet	2' Length	CFM	25	40	55	70	85	100	115
		Static Pressure	.036	.093	.175	.284	.419	.580	.767
		Horizontal Throw	2-5-12	6-10-19	9-13-26	11-17-29	14-20-32	16-24-35	18-26-37
		NC	<15	17	24	30	35	39	41
	4' Length	CFM	40	60	85	105	130	150	175
		Static Pressure	.014	.032	.065	.099	.152	.202	.275
		Horizontal Throw	3-4-8	4-6-12	6-9-17	7-11-21	9-13-25	10-15-27	12-18-30
		NC	<15	17	24	29	34	38	42
10" Inlet	2' Length	CFM	35	45	55	65	75	85	95
		Static Pressure	.085	.140	.210	.293	.390	.501	.625
		Horizontal Throw	4-8-17	7-11-22	9-13-26	10-16-28	12-18-30	14-20-32	15-23-34
		NC	<15	17	22	26	30	33	35
	4' Length	CFM	55	70	85	100	115	130	145
		Static Pressure	.028	.045	.066	.092	.122	.155	.193
		Horizontal Throw	4-6-11	5-7-14	6-9-17	7-10-20	8-12-23	9-13-25	10-15-27
		NC	<15	17	21	25	28	31	34
12" Inlet	2' Length	CFM	50	65	80	95	110	125	140
		Static Pressure	.045	.076	.115	.162	.218	.281	.353
		Horizontal Throw	8-12-24	10-16-28	13-19-31	15-23-34	18-26-36	20-27-39	22-29-41
		NC	<15	<15	19	23	26	29	32
	4' Length	CFM	75	100	120	145	165	190	210
		Static Pressure	.104	.184	.265	.387	.501	.664	.811
		Horizontal Throw	5-8-15	7-10-20	8-12-24	10-15-27	11-17-29	13-19-31	14-21-32
		NC	<15	21	25	30	33	35	37

SERIES XG-6600 UP/UI PERFORMANCE DATA
MODEL UP/UI-XG-6675 – 2 SLOT

6" Inlet	2' Length	CFM	30	55	80	105	130	155	180
		Static Pressure	.009	.029	.061	.105	.161	.228	.308
		Horizontal Throw	1-3-10	4-9-19	8-14-27	12-18-35	15-22-39	18-26-43	20-31-46
		NC	<15	18	27	33	39	42	44
	4' Length	CFM	45	85	120	160	195	235	270
		Static Pressure	.009	.033	.065	.116	.172	.250	.330
		Horizontal Throw	1-3-6	4-6-12	6-8-17	8-11-23	9-14-28	11-17-33	13-19-37
		NC	<15	18	25	33	37	41	43
8" Inlet	2' Length	CFM	45	65	85	105	125	145	165
		Static Pressure	.007	.023	.049	.084	.128	.181	.244
		Horizontal Throw	1-3-10	5-9-19	9-14-27	12-18-32	15-22-35	17-26-39	20-29-42
		NC	<15	<15	23	29	35	39	43
	4' Length	CFM	70	100	130	160	190	220	250
		Static Pressure	.014	.028	.047	.071	.100	.135	.174
		Horizontal Throw	3-5-10	5-7-14	6-9-18	8-11-23	9-13-27	10-16-31	12-18-35
		NC	<15	17	23	28	33	37	39
10" Inlet	2' Length	CFM	50	70	90	110	130	150	170
		Static Pressure	.023	.045	.074	.111	.155	.207	.265
		Horizontal Throw	3-7-17	6-12-24	10-15-31	12-19-36	15-22-39	17-25-42	19-29-45
		NC	<15	17	22	27	32	35	38
	4' Length	CFM	75	105	135	165	195	225	255
		Static Pressure	.025	.050	.082	.123	.171	.228	.293
		Horizontal Throw	4-5-11	5-7-15	6-10-19	8-12-23	9-14-28	11-16-32	12-18-36
		NC	<15	16	21	26	30	34	37
12" Inlet	2' Length	CFM	73	95	120	145	170	195	220
		Static Pressure	.021	.036	.058	.084	.116	.152	.194
		Horizontal Throw	7-12-25	11-16-32	14-20-38	16-25-42	19-29-45	22-33-48	25-36-51
		NC	<15	18	21	25	28	31	34
	4' Length	CFM	110	145	180	220	255	295	330
		Static Pressure	.025	.044	.068	.102	.137	.183	.229
		Horizontal Throw	5-8-16	7-10-21	8-13-25	10-16-31	12-18-36	14-21-38	16-23-41
		NC	<15	20	24	29	33	36	39

SERIES XG-6600 UP/UI PERFORMANCE DATA
MODEL UP/UI-XG-6675 — 3 SLOT

6" Inlet	2' Length	CFM	45	70	95	120	145	170	195
		Static Pressure	.012	.029	.053	.084	.122	.168	.221
		Horizontal Throw	1-3-12	3-8-19	6-13-26	10-17-33	13-20-40	16-24-45	18-27-48
		NC	<15	17	24	30	35	39	41
	4' Length	CFM	70	105	145	180	220	255	295
		Static Pressure	.017	.037	.071	.110	.165	.221	.296
		Horizontal Throw	2-4-8	4-6-12	6-8-17	7-10-21	8-13-25	10-15-29	11-17-34
		NC	<15	17	24	29	34	38	41
8" Inlet	2' Length	CFM	55	85	115	145	175	205	235
		Static Pressure	.012	.029	.054	.082	.124	.171	.224
		Horizontal Throw	2-5-15	5-11-24	9-16-32	13-20-40	16-24-46	19-28-50	22-33-53
		NC	<15	18	25	30	35	39	42
	4' Length	CFM	85	130	175	220	265	310	355
		Static Pressure	.013	.031	.057	.090	.130	.178	.233
		Horizontal Throw	2-5-10	5-8-15	7-10-20	8-13-25	10-15-31	12-18-36	14-20-41
		NC	<15	18	24	30	34	39	42
10" Inlet	2' Length	CFM	65	100	130	160	190	220	250
		Static Pressure	.015	.037	.062	.094	.132	.177	.229
		Horizontal Throw	3-7-18	7-14-28	12-18-36	15-22-44	18-26-48	20-30-51	23-35-55
		NC	<15	19	25	30	34	38	41
	4' Length	CFM	100	150	195	240	285	330	375
		Static Pressure	.018	.041	.070	.105	.149	.199	.257
		Horizontal Throw	3-6-12	6-9-17	8-11-23	9-14-28	11-16-33	13-19-38	14-22-42
		NC	<15	18	24	29	34	37	40
12" Inlet	2' Length	CFM	85	120	155	190	225	260	295
		Static Pressure	.022	.043	.072	.108	.152	.203	.261
		Horizontal Throw	5-11-24	10-17-33	14-21-43	18-26-48	21-31-52	24-36-56	27-41-59
		NC	<15	<15	18	22	26	30	33
	4' Length	CFM	130	180	235	285	340	390	445
		Static Pressure	.016	.031	.053	.078	.111	.146	.190
		Horizontal Throw	5-8-15	7-10-21	9-14-27	11-16-33	13-20-29	15-23-44	17-26-47
		NC	<15	18	24	29	33	37	39

SERIES XG-6600 UP/UI PERFORMANCE DATA
MODEL UP/UI-XG-6675 – 4 SLOT

6" Inlet	2' Length	CFM	50	80	110	140	170	200	230
		Static Pressure	.011	.029	.055	.089	.131	.181	.239
		Horizontal Throw	1-3-10	3-6-19	5-12-26	9-17-34	13-20-41	16-24-48	18-28-53
		NC	<15	16	23	30	35	39	43
	4' Length	CFM	75	120	165	210	255	300	345
		Static Pressure	.016	.042	.079	.129	.190	.263	.348
		Horizontal Throw	1-3-8	3-6-12	6-8-17	7-11-21	9-13-26	10-15-30	12-17-35
		NC	<15	16	23	29	34	37	39
8" Inlet	2' Length	CFM	70	100	130	160	190	220	250
		Static Pressure	.016	.042	.079	.129	.190	.263	.348
		Horizontal Throw	1-3-8	3-6-12	6-8-17	7-11-21	9-13-26	10-15-30	12-17-35
		NC	<15	18	24	29	33	37	39
	4' Length	CFM	105	150	195	240	285	330	375
		Static Pressure	.017	.034	.057	.086	.122	.163	.211
		Horizontal Throw	2-5-11	5-8-15	7-10-20	8-12-24	10-14-29	11-17-33	13-19-38
		NC	<15	17	23	28	32	36	39
10" Inlet	2' Length	CFM	80	110	140	170	200	230	260
		Static Pressure	.014	.027	.044	.065	.090	.119	.152
		Horizontal Throw	3-6-19	5-12-26	8-1-34	13-20-41	16-24-48	18-28-53	21-31-56
		NC	<15	17	23	27	32	35	38
	4' Length	CFM	125	165	210	255	300	345	390
		Static Pressure	.017	.030	.049	.072	.099	.131	.167
		Horizontal Throw	3-6-13	6-8-17	7-11-21	9-13-26	10-15-20	12-17-35	13-20-39
		NC	<15	16	22	26	30	34	37
12" Inlet	2' Length	CFM	100	140	180	220	260	300	340
		Static Pressure	.007	.014	.023	.034	.047	.063	.081
		Horizontal Throw	4-10-24	9-17-34	14-22-43	18-26-51	21-31-56	24-36-60	27-41-64
		NC	<15	16	20	23	26	29	32
	4' Length	CFM	150	210	270	330	390	450	510
		Static Pressure	.014	.028	.046	.069	.096	.128	.164
		Horizontal Throw	5-8-15	7-11-21	9-14-27	11-17-33	13-20-39	15-23-45	17-26-50
		NC	<15	19	24	28	32	36	39

SERIES XG-6600 UP/UI PERFORMANCE DATA
MODEL UP/UI-XG-6610—1 SLOT

6" Inlet	2' Length	CFM	30	45	60	75	90	105	120
		Static Pressure	.013	.029	.052	.082	.117	.160	.209
		Horizontal Throw	2-5-12	5-9-19	8-12-25	10-16-30	12-19-33	15-22-35	17-25-38
		NC	16	23	30	35	40	44	46
	4' Length	CFM	45	70	90	115	135	160	180
		Static Pressure	.012	.029	.048	.078	.107	.151	.191
		Horizontal Throw	2-4-8	4-6-12	5-8-16	7-10-20	8-12-23	9-14-28	10-16-30
		NC	16	23	29	34	39	43	46
8" Inlet	2' Length	CFM	40	50	65	80	95	110	125
		Static Pressure	.032	.051	.085	.129	.182	.244	.316
		Horizontal Throw	4-8-17	6-10-21	9-14-27	11-17-31	13-20-34	15-23-36	17-26-39
		NC	17	22	28	33	38	40	42
	4' Length	CFM	60	75	100	120	145	165	190
		Static Pressure	.017	.026	.047	.068	.099	.128	.170
		Horizontal Throw	3-5-10	4-6-13	6-9-17	7-10-21	8-13-25	10-14-29	11-16-31
		NC	17	21	28	32	37	40	43
10" Inlet	2' Length	CFM	40	55	70	85	100	115	130
		Static Pressure	.044	.083	.134	.197	.273	.361	.461
		Horizontal Throw	4-8-17	7-11-23	10-15-29	12-18-32	14-21-35	16-24-37	18-27-39
		NC	16	24	30	35	38	39	39
	4' Length	CFM	60	85	105	130	150	175	195
		Static Pressure	.016	.033	.050	.076	.102	.138	.172
		Horizontal Throw	3-5-10	5-7-15	6-9-18	8-11-23	9-13-26	10-15-30	11-17-31
		NC	<15	21	26	31	35	30	41
12" Inlet	2' Length	CFM	48	65	80	95	110	125	140
		Static Pressure	.018	.033	.050	.071	.095	.123	.154
		Horizontal Throw	5-10-20	9-14-27	11-17-31	13-20-34	15-23-36	17-26-39	19-29-41
		NC	<15	<15	19	23	26	29	32
	4' Length	CFM	70	100	120	145	165	190	210
		Static Pressure	.029	.058	.084	.123	.159	.211	.258
		Horizontal Throw	4-6-12	6-9-17	7-10-21	8-13-25	10-14-29	11-16-31	12-18-32
		NC	<15	21	25	30	33	35	37

SERIES XG-6600 UP/UI PERFORMANCE DATA
MODEL UP/UI-XG-6610— 2 SLOT

6" Inlet	2' Length	CFM	30	55	80	105	130	155	180
		Static Pressure	.006	.020	.042	.072	.110	.156	.211
		Horizontal Throw	1-2-7	2-6-16	5-12-24	9-15-31	13-19-38	15-23-43	18-26-46
		NC	<15	18	27	33	39	42	44
	4' Length	CFM	45	85	120	160	15	235	270
		Static Pressure	.009	.031	.061	.109	.162	.235	.310
		Horizontal Throw	1-2-6	3-5-10	5-7-15	7-10-20	8-12-24	10-14-29	11-17-33
		NC	<15	18	25	33	37	41	43
8" Inlet	2' Length	CFM	45	65	85	105	125	145	165
		Static Pressure	.017	.035	.059	.090	.128	.172	.223
		Horizontal Throw	2-4-13	3-8-19	6-12-25	9-15-31	12-18-37	14-21-42	16-24-44
		NC	<15	18	24	29	33	37	40
	4' Length	CFM	70	100	130	160	190	220	250
		Static Pressure	.014	.028	.047	.071	.100	.135	.174
		Horizontal Throw	2-4-9	4-6-12	5-8-16	7-10-20	8-12-23	9-13-27	10-15-31
		NC	<15	17	23	28	33	37	39
10" Inlet	2' Length	CFM	50	70	90	110	130	150	170
		Static Pressure	.023	.045	.074	.111	.155	.207	.265
		Horizontal Throw	2-5-15	4-9-21	7-13-26	10-16-232	13-19-38	15-22-42	17-25-45
		NC	<15	17	22	27	32	35	38
	4' Length	CFM	75	105	135	165	195	225	255
		Static Pressure	.012	.024	.039	.059	.082	.109	.140
		Horizontal Throw	2-5-9	4-6-13	6-8-17	7-10-20	8-12-24	9-14-28	10-16-31
		NC	<15	16	21	26	30	34	37
12" Inlet	2' Length	CFM	60	90	120	150	180	210	240
		Static Pressure	.014	.032	.058	.090	.130	.176	.230
		Horizontal Throw	3-7-18	7-13-26	12-18-35	15-22-42	18-26-46	21-31-50	24-35-54
		NC	<15	17	21	26	29	33	36
	4' Length	CFM	90	135	180	225	270	315	360
		Static Pressure	.017	.038	.068	.106	.153	.208	.272
		Horizontal Throw	3-6-11	6-8-17	7-11-22	9-14-28	11-17-33	13-19-39	15-22-42
		NC	<15	18	24	30	34	38	41

SERIES XG-6600 UP/UI PERFORMANCE DATA
MODEL UP/UI-XG-6610— 3 SLOT

6" Inlet	2' Length	CFM	40	65	90	115	140	165	190
		Static Pressure	.007	.019	.036	.058	.087	.120	.160
		Horizontal Throw	1-2-6	2-4-16	4-8-22	6-13-28	9-17-34	12-20-40	15-23-46
		NC	<15	16	23	29	34	38	41
	4' Length	CFM	60	100	135	175	210	250	285
		Static Pressure	.011	.030	.055	.093	.134	.190	.247
		Horizontal Throw	1-2-6	2-5-10	4-7-44	6-9-18	7-11-21	8-13-25	10-14-29
		NC	<15	16	22	28	33	37	40
8" Inlet	2' Length	CFM	50	80	110	140	170	200	230
		Static Pressure	.010	.026	.049	.080	.117	.162	.215
		Horizontal Throw	1-3-10	3-6-19	5-12-26	9-17-34	13-20-41	16-24-48	18-28-53
		NC	<15	17	24	29	34	38	42
	4' Length	CFM	75	120	165	210	255	300	345
		Static Pressure	.008	.022	.041	.066	.098	.135	.179
		Horizontal Throw	1-3-8	3-6-12	6-8-17	7-11-21	9-13-26	10-15-30	12-17-35
		NC	<15	17	23	28	33	38	41
10" Inlet	2' Length	CFM	60	110	140	170	200	230	260
		Static Pressure	.008	.028	.045	.056	.092	.122	.155
		Horizontal Throw	2-4-14	5-12-26	9-17-34	13-20-41	16-24-48	18-28-53	21-31-56
		NC	<15	21	27	32	36	39	42
	4' Length	CFM	90	165	210	255	300	345	390
		Static Pressure	.008	.026	.042	.062	.086	.113	.145
		Horizontal Throw	2-4-9	6-8-17	7-11-21	9-13-26	10-15-30	12-17-35	13-20-39
		NC	<15	20	26	31	35	38	40
12" Inlet	2' Length	CFM	80	120	160	200	240	280	320
		Static Pressure	.010	.022	.038	.060	.086	.118	.154
		Horizontal Throw	3-6-19	6-14-29	11-19-38	16-24-48	19-29-54	22-34-58	26-38-62
		NC	<15	<15	19	23	28	31	35
	4' Length	CFM	120	180	240	300	360	420	480
		Static Pressure	.009	.021	.038	.059	.084	.115	.150
		Horizontal Throw	3-6-12	6-9-18	8-12-24	10-15-30	12-18-36	14-1-42	16-24-48
		NC	<15	18	25	30	35	38	41

SERIES XG-6600 UP/UI PERFORMANCE DATA
MODEL UP/UI-XG-6610— 4 SLOT

6" Inlet	2' Length	CFM	50	80	110	140	170	200	230
		Static Pressure	.009	.022	.042	.069	.101	.140	.185
		Horizontal Throw	1-2-6	2-4-17	3-8-23	6-13-29	8-18-35	12-21-42	15-24-48
		NC	<15	16	23	30	35	39	43
	4' Length	CFM	75	120	165	210	255	300	345
		Static Pressure	.012	.032	.060	.098	.144	.200	.264
		Horizontal Throw	1-2-6	2-5-10	4-7-14	6-9-18	7-11-22	9-13-26	10-15-30
		NC	<15	16	23	29	34	37	39
8" Inlet	2' Length	CFM	70	100	130	160	190	220	250
		Static Pressure	.017	.035	.059	.090	.126	.169	.219
		Horizontal Throw	1-3-13	3-6-21	5-11-27	7-17-33	10-20-39	14-23-46	17-26-52
		NC	<15	18	24	29	33	37	39
	4' Length	CFM	105	150	195	240	285	330	375
		Static Pressure	.013	.027	.045	.068	.096	.129	.166
		Horizontal Throw	2-4-9	3-6-13	5-8-17	7-10-21	8-12-25	10-14-29	11-16-32
		NC	<15	19	26	32	36	40	42
10" Inlet	2' Length	CFM	80	120	160	200	240	280	320
		Static Pressure	.010	.022	.038	.060	.086	.118	.154
		Horizontal Throw	2-4-17	4-9-25	7-17-33	12-21-42	17-25-50	19-29-58	22-33-62
		NC	<15	19	26	32	36	40	42
	4' Length	CFM	125	180	240	300	360	420	480
		Static Pressure	.012	.025	.044	.069	.100	.136	.178
		Horizontal Throw	2-5-11	5-8-16	7-10-21	9-13-26	10-16-31	12-18-36	14-21-42
		NC	<15	18	25	30	35	39	42
12" Inlet	2' Length	CFM	90	140	190	240	290	340	390
		Static Pressure	.007	.017	.031	.050	.073	.101	.132
		Horizontal Throw	2-5-19	6-13-29	10-20-39	17-25-50	20-30-59	24-35-64	27-41-68
		NC	<15	16	21	25	28	32	35
	4' Length	CFM	135	210	285	360	435	510	585
		Static Pressure	.008	.020	.038	.060	.088	.120	.158
		Horizontal Throw	3-6-12	6-9-18	8-12-25	10-16-31	13-19-38	15-22-44	17-25-51
		NC	<15	19	25	30	35	39	42

PERFORMANCE NOTES FOR SERIES UP/UPI XG-6600

All data is tested in accordance with ANSI/ASHRAE 70-2006.

DEFINITION OF UNITS

- On units without UP/UPI plenums, pressure drop reported is across the diffuser element only
The field supply plenum pressure drop should be included when determining system fan requirements
A good approximation of the static pressure requirements can be calculated by adding the velocity pressure through the plenum inlet to the diffuser section pressure drop
- NC is based on a 4 ft. section of diffuser
The following table should be used to calculate sound levels for lengths other than 4 ft.
- To correct throws for lengths other than the 4 ft. lengths used in determining catalog performance, throws should be adjusted per the following table

NC Correction for Length			
Length (feet)	2	4	6
NC Correction	-2	0	2
Throw Correction Multiplier for Length			
Length (feet)	2	4	8
Throw Correction	-7	1	1.2

- All pressures are in inches of water
- Isothermal throws are given for terminal velocities of 150, 100 and 50fpm, based upon 4' section
- Vertical throw values are based on a 50fpm terminal velocity
- For Vertical supply subtract one NC
- For Returns minus pattern controllers, deduct 12 NC
- Throw values are based on a 1-Way discharge from the slot. For 2-Way discharge, throw is based upon the number and size of the slots throwing in each direction, with the total supply air flow split equally between all slots in the unit
- Data was collected in accordance to ASHRAE standard 70-2006 Method of Testing for rating the performance of air outlets and inlets

MODEL UP/UIP-XG-6660 RETURN PERFORMANCE DATA

Number of Slots	Negative Ps Inches of Water	.020	.040	.060	.080	.100	.150
1	CFM/FT	15	20	25	30	35	40
	NC	-	20	27	32	37	41
2	CFM/FT	35	50	60	70	80	95
	NC	-	22	27	32	37	41
3	CFM/FT	55	80	95	110	125	150
	NC	-	23	28	33	37	42
4	CFM/FT	70	100	120	140	155	190
	NC	-	24	30	34	37	44
5	CFM/FT	90	135	155	180	200	245
	NC	-	25	30	34	37	44
6	CFM/FT	110	155	195	220	245	300
	NC	-	26	33	37	40	96
7	CFM/FT	130	185	225	260	290	365
	NC	-	27	33	37	41	47
8	CFM/FT	140	200	245	280	310	385
	NC	-	28	34	38	42	48

MODEL UP/UIP-XG-6675 DUCT CONNECTED RETURN PERFORMANCE DATA

Number of Slots	Negative Ps Inches of Water	.020	.040	.060	.080	.100	.150
1	CFM/FT	25	35	45	50	55	70
	NC	-	21	29	32	35	42
2	CFM/FT	55	80	90	100	110	135
	NC	-	25	29	32	35	42
3	CFM/FT	90	115	140	160	180	220
	NC	-	26	32	36	40	46
4	CFM/FT	100	140	175	200	225	275
	NC	-	27	34	38	41	47
5	CFM/FT	140	185	225	260	290	360
	NC	-	28	34	38	42	48
6	CFM/FT	160	225	275	320	360	440
	NC	-	29	35	40	43	49
7	CFM/FT	175	250	305	350	395	480
	NC	-	30	36	40	44	50
8	CFM/FT	200	285	350	400	450	545
	NC	-	31	37	41	45	51

MODEL UP/UIP-XG-6610 DUCT CONNECTED RETURN PERFORMANCE DATA

Number of Slots	Negative Ps Inches of Water	.020	.040	.060	.080	.100	.150
1	CFM/FT	35	50	60	70	80	95
	NC	-	25	31	36	40	45
2	CFM/FT	70	100	125	140	155	190
	NC	-	27	33	37	41	47
3	CFM/FT	105	150	185	210	235	285
	NC	-	29	35	39	43	49
4	CFM/FT	140	200	250	280	310	380
	NC	-	31	37	41	45	51
5	CFM/FT	175	250	300	350	390	475
	NC	-	32	38	42	46	52
6	CFM/FT	210	300	375	420	465	570
	NC	-	33	40	43	47	53
7	CFM/FT	245	350	425	490	545	665
	NC	-	34	41	44	47	54
8	CFM/FT	280	400	475	560	620	760
	NC	-	35	42	45	48	55

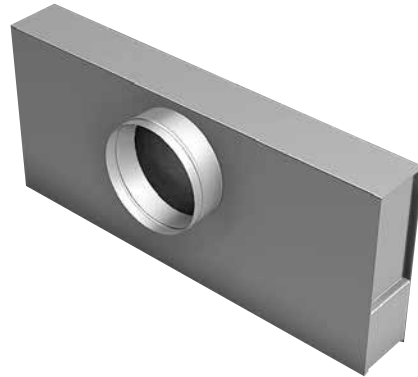
LINEAR BAR GRILLES

The Greenheck line of linear bar grilles is designed for installation in sidewall, sill or floor and can be used for supply or return air.

XG-2000 BAR GRILLES



UP-XG-2000 PLENUM



XG-2000 Bar Grilles. The XG-2000 series of linear bar grilles and registers is constructed of high grade aluminum extrusion and is available in a variety of core and border styles.

XG-2000 – 1" border – 7/32" bars – 1/2" centers

XG-2100 – 1/2" border – 7/32" bars – 1/2" centers

XG-2200F – 3/16" border – 7/32" bars – 1/2" centers

XG-2300 – 1" border – 1/8" bars – 1/4" centers

XG-2400 – 1/2" border – 1/8" bars – 1/4" centers

XG-2500 – 1" border – 1/8" bars – 1/2" centers

PAGE 66

UP-XG-2000 Plenum. The UP-XG-2000 universal plenum is constructed of galvanized steel and is available with or without insulation.

UP-XG-2000 – Uninsulated plenum

UPI-XG-2000 – Insulated plenum

PAGE 87

Series XG-2000 - 1 borders - 7/32 bars - 1/2 centers		
Wall Mounted	Core Only	Floor Mounted
XG-2000 - 0° Deflection	XG-2000CO - 0° Deflection	XG-2000F - 0° Deflection
XG-2015 - 15° Deflection	XG-2015CO - 15° Deflection	XG-2015F - 15° Deflection
XG-2030 - 30° Deflection	XG-2030CO - 30° Deflection	XG-2030F - 30° Deflection

Concealed Mounting Hanger	Plaster Wall & Ceiling With Subframe
XG-2000H - 0° Deflection	XG-2000HP - 0° Deflection
XG-2015H - 15° Deflection	XG-2015HP - 15° Deflection
XG-2030H - 30° Deflection	XG-2030HP - 30° Deflection

Series XG-2100 - 1/2 borders - 7/32 bars - 1/2 centers		
Wall Mounted	Concealed Mounting Hanger	Concealed Spline Subframe
XG-2100 - 0° Deflection	XG-2100H - 0° Deflection	XG-2100HP - 0° Deflection
XG-2115 - 15° Deflection	XG-2115H - 15° Deflection	XG-2115HP - 15° Deflection
XG-2130 - 30° Deflection	XG-2130H - 30° Deflection	XG-2130HP - 30° Deflection

Narrow Subframe	Combination Subframe
XG-2100HW - 0° Deflection	XG-2100HC - 0° Deflection
XG-2115HW - 15° Deflection	XG-2115HC - 15° Deflection
XG-2130HW - 30° Deflection	XG-2130HC - 30° Deflection

Series XG-2200 - 3/16 borders - 7/32 bars - 1/2 centers	
Non Flanged Floor Mounting	Non Flanged Floor Mounting Pencil Proof
XG-2200F - 0° Deflection	XG-2200FP - 0° Deflection
XG-2215F - 15° Deflection	XG-2215FP - 15° Deflection
XG-2230F - 30° Deflection	XG-2230FP - 30° Deflection

Series XG-2300 - 1 borders - 1/8 bars - 1/4 centers		
Wall Mounted	Core Only	Floor Mounted
XG-2300 - 0° Deflection	XG-2300CO - 0° Deflection	XG-2300F - 0° Deflection
XG-2315 - 15° Deflection	XG-2315CO - 15° Deflection	XG-2315F - 15° Deflection
XG-2330 - 30° Deflection	XG-2330CO - 30° Deflection	XG-2330F - 30° Deflection

Concealed Mounting Hanger	Spline Subframe	Concealed Floor Mount
XG-2300H - 0° Deflection	XG-2300HP - 0° Deflection	XG-2300FH - 0° Deflection
XG-2315H - 15° Deflection	XG-2315HP - 15° Deflection	XG-2315FH - 15° Deflection
XG-2330H - 30° Deflection	XG-2330HP - 30° Deflection	XG-2330FH - 30° Deflection

Series XG-2400 - 1/2 borders - 1/8 bars - 1/4 centers		
Wall Mounted	Concealed Mounting Hanger	Spline Subframe
XG-2400 - 0° Deflection	XG-2400H - 0° Deflection	XG-2400HC - 0° Deflection
XG-2415 - 15° Deflection	XG-2415H - 15° Deflection	XG-2415HC - 15° Deflection
XG-2430 - 30° Deflection	XG-2430H - 30° Deflection	XG-2430HC - 30° Deflection

Concealed Spline Subframe	Narrow Subframe
XG-2400HP - 0° Deflection	XG-2400HW - 0° Deflection
XG-2415HP - 15° Deflection	XG-2415HW - 15° Deflection
XG-2430HP - 30° Deflection	XG-2430HW - 30° Deflection

Series XG-2500 - 1 borders - 1/8 bars - 1/2 centers
Wall Mounted
XG-2500 - 0° Deflection
XG-2515 - 15° Deflection
XG-2530 - 30° Deflection

Concealed Mounting Hanger	Plaster Wall & Ceiling With Subframe
XG-2500H - 0° Deflection	XG-2500HP - 0° Deflection
XG-2515H - 15° Deflection	XG-2515HP - 15° Deflection
XG-2530H - 30° Deflection	XG-2530HP - 30° Deflection

MODEL XG-2000



- 1" Border, 7/32" Bars, 1/2" Centers - Model XG-2000**
- 1/2" Border, 7/32" Bars, 1/2" Centers - Model XG-2100**
- 1" Border, 1/8" Bars, 1/4" Centers - Model XG-2300**
- 1/2" Border, 1/8" Bars, 1/4" Centers - Model XG-2400**

Air outlets shall be Series XG-2000 extruded aluminum linear bar grilles manufactured by GREENHECK. Units shall be designed specifically for sidewall or ceiling applications and be constructed from heavy gauge extruded aluminum. The units shall be the size and quantity as outlined in the plans and specifications.

Deflection bars shall be 0°, 15° or 30° as detailed. Face bars shall be (1/8" or 7/32") wide on (1/4" or 1/2") centers and shall be permanently fixed in position. Borders shall be (1" or 1/2") wide. Auxiliary sub frames shall be furnished as required to fit the wall or ceiling system.

Bar Grilles and Registers shall be furnished with positive holding concealed mounting systems as required. Units shall be furnished in one piece up to 6 feet in length. Continuous sections shall butt together with hairline joints and be provided with interlocking alignment splines. Borders shall be mechanically fastened to provide a neat hairline corner.

Floor Applications

- 1" Border, 7/32" Bars, 1/2" Centers - Model XG-2000F**
- 3/16" Border, 7/32" Bars, 1/2" Centers (*Not available for continuous runs) - Model XG-2200F**

Air outlets shall be Series XG-2000 extruded aluminum linear bar grilles manufactured by GREENHECK. Units shall be designed specifically for floor applications and be constructed from heavy gauge extruded aluminum. The units shall be the size and quantity as outlined in the plans and specifications.

Deflection bars shall be 0°, 15°, or 30° as detailed.

Cores shall be removable and shall be held in place by coated steel retaining clips. Face bars shall be a minimum of 7/32" thick. Grille Borders shall be (3/16" or 1") inch wide with 3/16" wide bars. Units shall be specially reinforced for floor installation with 1/8" by 11/16" inch support brackets. Units shall be furnished in one piece up to 6 feet in length. Continuous sections* shall butt together with hairline joints and be provided with interlocking alignment splines. Bar Grille borders shall be mitered and mechanically fastened to provide a neat hairline corner.

Pencil Proof Floor

- 1" Border, 17/64" Bars, 1/2" Centers - Model XG-2000FP**
- 3/16" Border, 17/64" Bars, 1/2" Centers (*Not available for continuous runs) - Model XG-2200FP**

Air outlets shall be Series XG-2000 extruded aluminum linear bar grilles manufactured by GREENHECK. Units shall be designed specifically for pencil proof applications and be constructed from heavy gauge extruded aluminum. The units shall be the size and quantity as outlined in the plans and specifications.

Deflection bars shall be 0°, 15° or 30° as detailed. Face bars shall be 17/64" wide on 1/2" centers and shall be permanently fixed in position. Borders shall be (1" or 3/16") wide as specified.

Bar Grilles and Registers shall be furnished with positive holding concealed mounting systems as required. Grille and Register sections shall be furnished in one piece up to 6 feet in length. Continuous Grille sections shall butt together with hairline joints and shall be provided with interlocking alignment splines. Bar Grille borders shall be mechanically fastened to provide a neat hairline corner.

Cores shall be removable and shall be held in place by coated steel retaining clips. Grilles and Registers shall be specially reinforced for floor or sill installation with 1/8 inch by 11/16 inch support brackets. Units shall be furnished in one piece up to 6 feet in length. Continuous sections* shall butt together with hairline joints and be provided with interlocking alignment splines. Borders shall be mitered and mechanically fastened to provide a neat hairline corner.

Optional Accessories

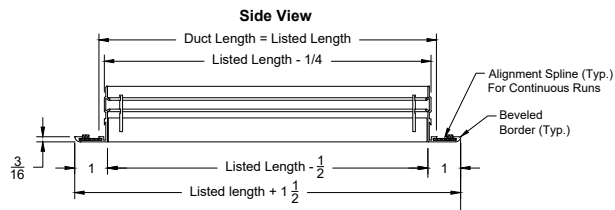
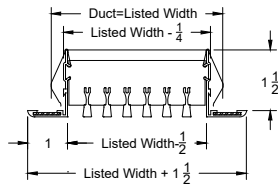
Opposed blade volume control dampers, extractors, and equalizing grids shall be furnished behind active supply sections. Opposed blade volume control dampers shall be furnished behind return sections as required.

Debris screens shall be furnished behind active and return sections as required.

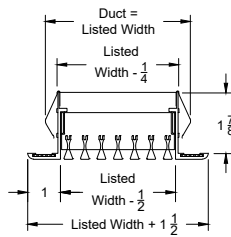
Performance Specification

The manufacturer shall provide published performance data. Data shall be tested in accordance to ANSI/ASHRAE Standard 70- 2006.

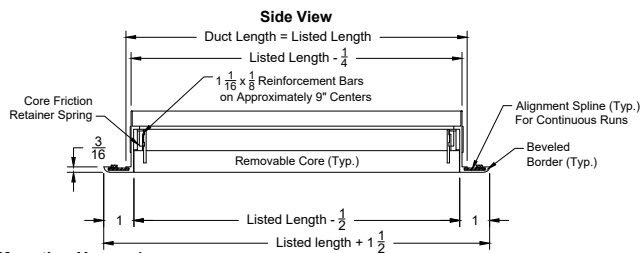
Models: XG-2000, XG-2015, XG-2030 (Wall Mounting)



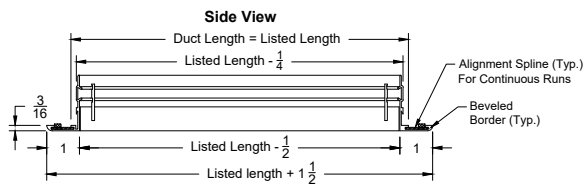
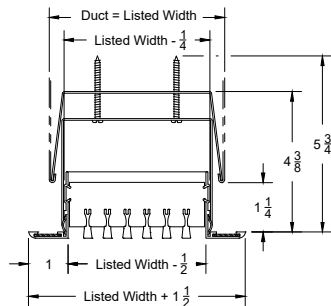
Models: XG-2000 F, XG-2015 F, XG-2030 F, XG-2000 FP (Pencil Proof), XG-2015 FP (Pencil Proof), XG-2030 FP (Pencil Proof) (Floor /Wall/Sill Mounting)



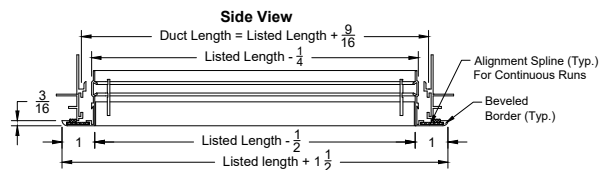
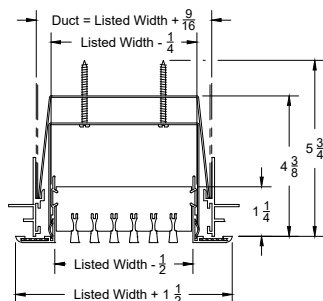
* 12" Maximum Available Width



Models: XG-2000H, XG-2015H, XG-2030H (Concealed Mounting Hanger)



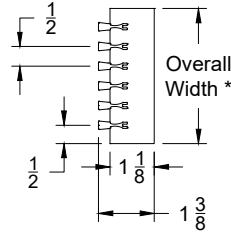
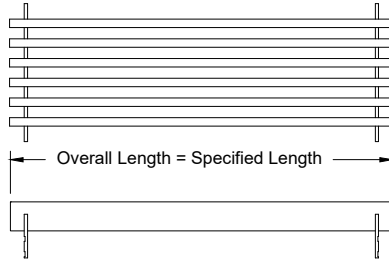
Models: XG-2000 HP, XG-2015 HP, XG-2030 HP (Spline Subframe For Plaster Wall & Ceilings)



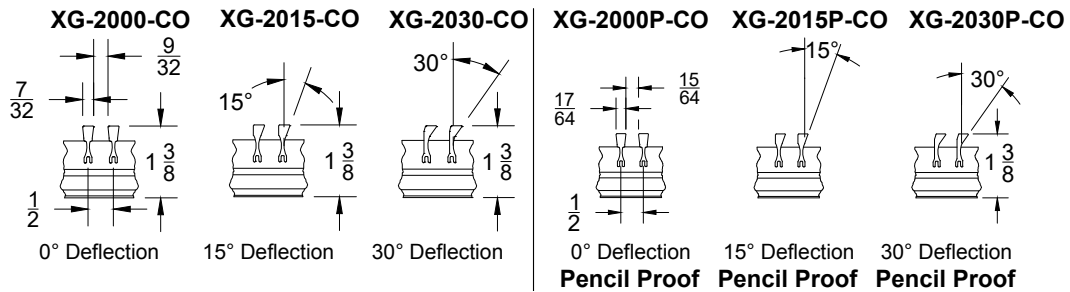
MODEL XG-2000

Core Only (XG-2000-CO, XG-2015-CO and XG-2030-CO)
(XG-2000P-CO, XG-2015P-CO and XG-2030P-CO)

XG-2000 Cores Are Same As XG-2100 Cores

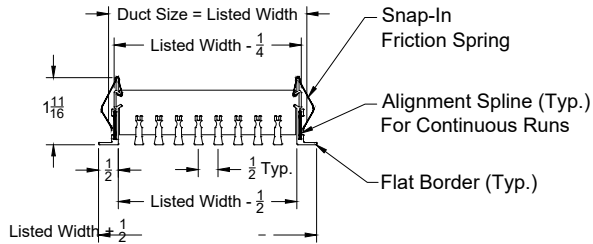


Available Overall Width (Inches)							
Width	Bars	Width	Bars	Width	Bars	Width	Bars
1 1/2	2	7 1/2	14	13 1/2	26	19 1/2	38
2	3	8	15	14	27	20	39
2 1/2	4	8 1/2	16	14 1/2	28	20 1/2	40
3	5	9	17	15	29	21	41
3 1/2	6	9 1/5	18	15 1/3	30	21 1/2	42
4	7	10	19	16	31	22	43
4 1/2	8	10 1/2	20	16 1/2	32	22 1/2	44
5	9	11	21	17	33	23	45
5 1/2	10	11 1/2	22	17 1/2	34	23 1/2	46
6	11	12	23	18	35	24	47
6 1/2	12	12 1/2	24	18 1/2	36	-	-
7	13	13	25	19	37	-	-

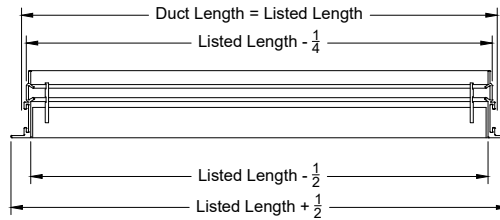


MODEL XG-2000

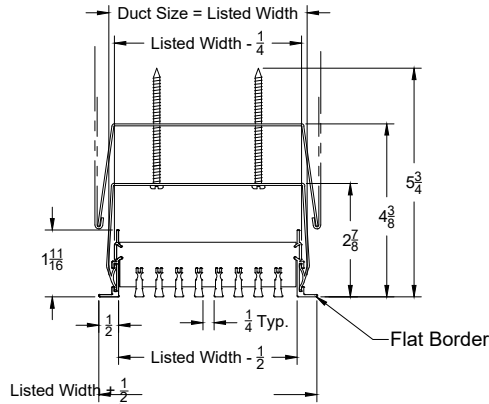
Models: XG-2100, XG-2115, XG-2130 (Wall Mounting)



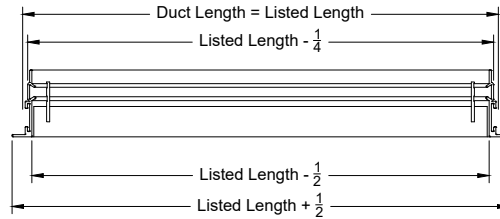
Side View



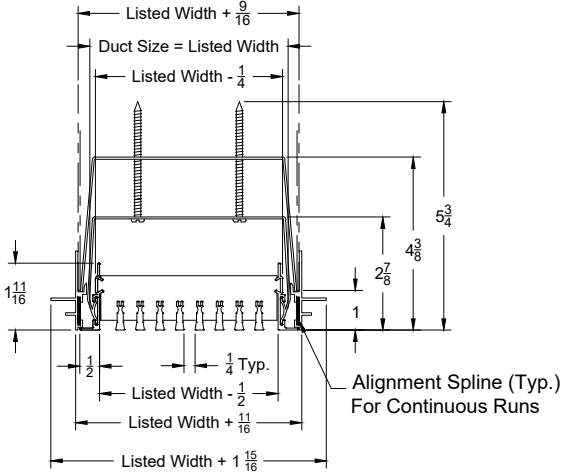
Models: XG-2100H, XG-2115H, XG-2130H (Concealed Mounting Hanger)



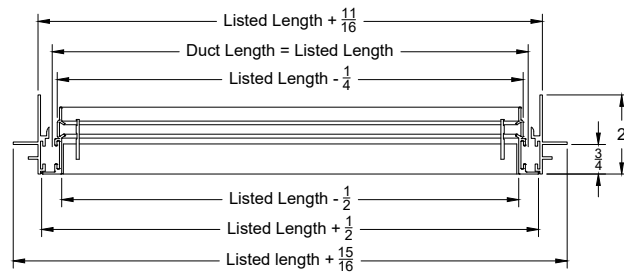
Side View



Models: XG-2100HP, XG-2115HP, XG-2130HP (Concealed Spline Subframe)

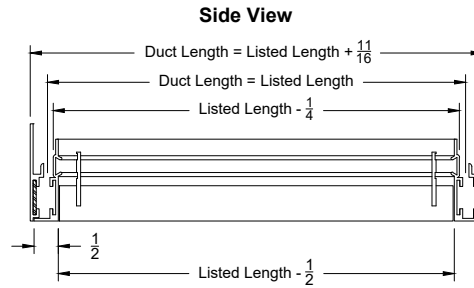
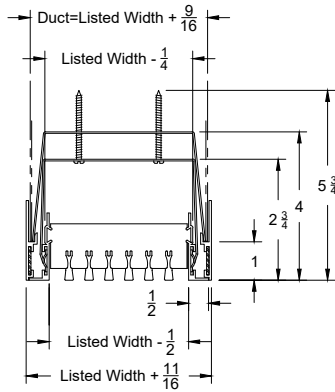


Side View

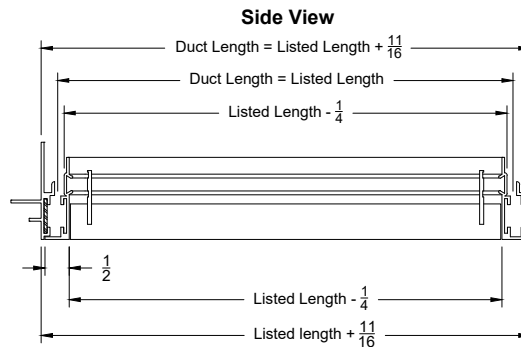
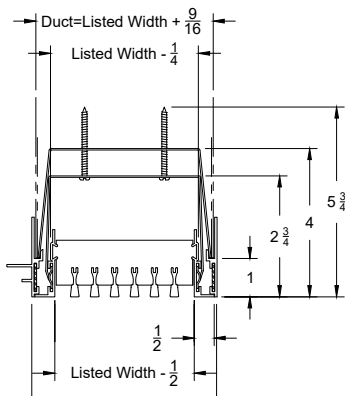


MODEL XG-2000

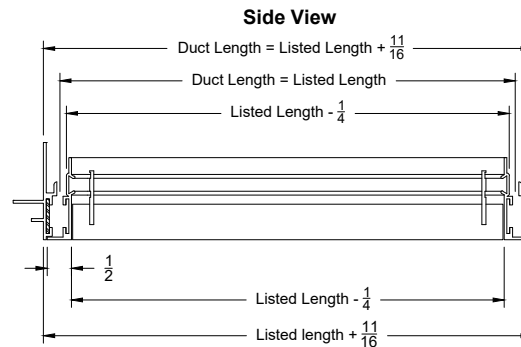
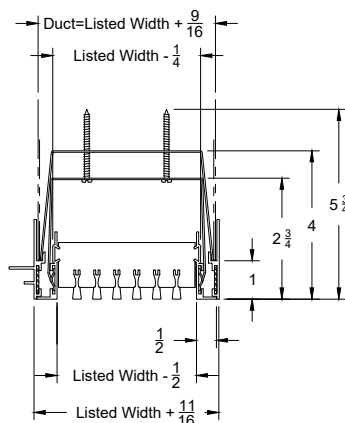
Models: XG-2100 HW, XG-2115 HW, XG-2130 HW (Narrow Subframe)



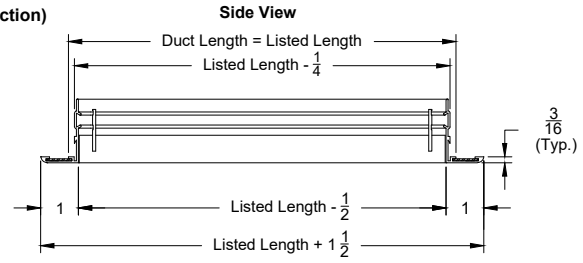
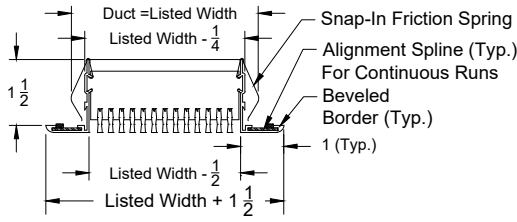
Models: XG-2200 HC, XG-2115 HC, XG-2130 HC (Combination Subframe)



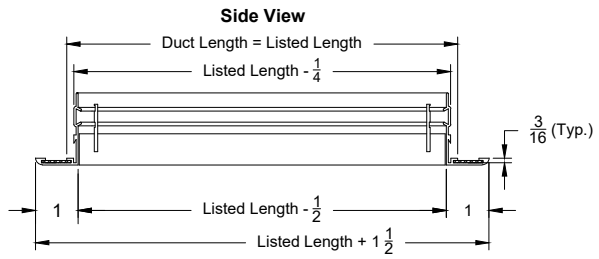
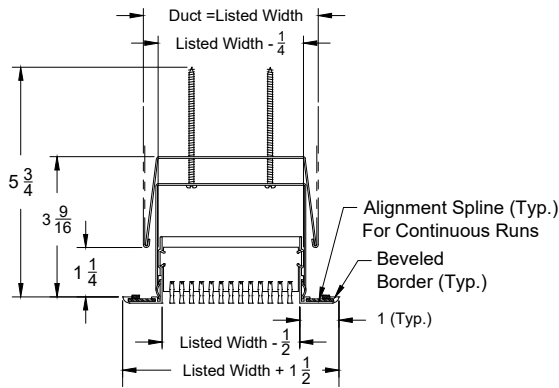
Models: XG-2200 HC, XG-2115 HC, XG-2130 HC (Combination Subframe)



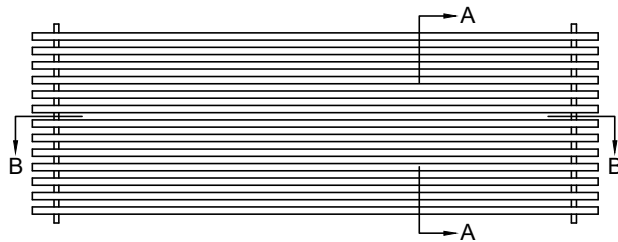
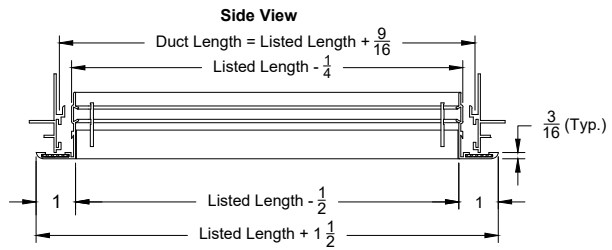
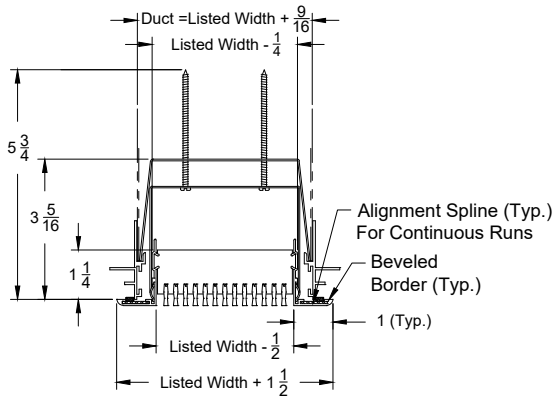
Models: XG-2300, XG-2315, XG-2330 (Wall Mounting - 0° / 15° / 30° Deflection)



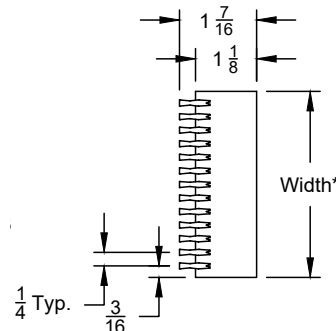
Models: XG-2300H, XG-2315H, XG-2330H (Concealed Mounting Hangers - 0° / 15° / 30° Deflection)



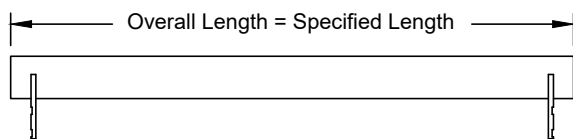
Models: XG-2300HP, XG-2315HP, XG-2330HP (Concealed Spline Mounting Frame - 0° / 15° / 30° Deflection)



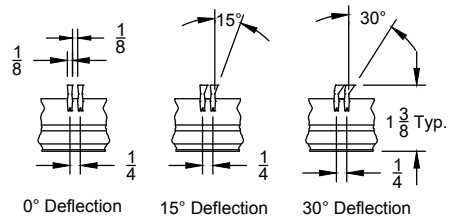
Face View (All Models)



Section A-A - All Models



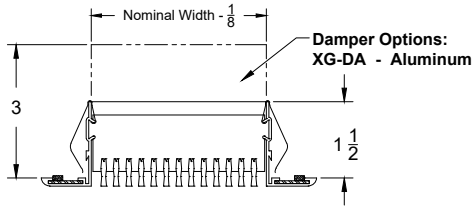
Section B-B - All Models



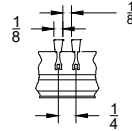
0° Deflection 15° Deflection 30° Deflection

MODEL XG-2000

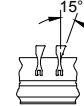
Option: XG-2300, XG-2315, XG-2330 (Register)
(Wall Mounted - With Damper)



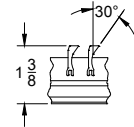
Options: 0°, 15° or 30° Deflection



0° Deflection

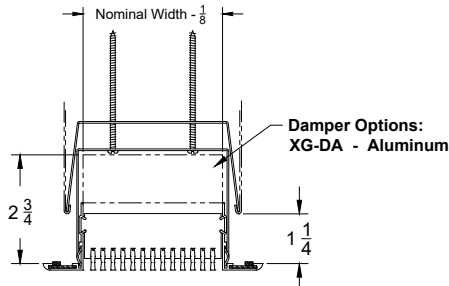


15° Deflection

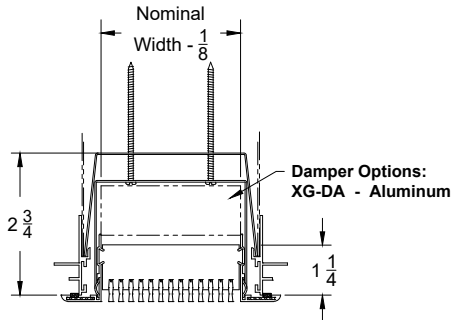


30° Deflection

Option: XG-2300H, XG-2315H, XG-2330H (Register)
(Concealed Mounting Hangers - With Damper)



Option: XG-2300HP, XG-2315HP, XG-2330HP (Register)
(Concealed Spline Mounting Frame - With Damper)



LINEAR DIFFUSERS
AND GRILLES

LINEAR BAR GRILLES

XG-2000

*Available Overall Width (Inches)

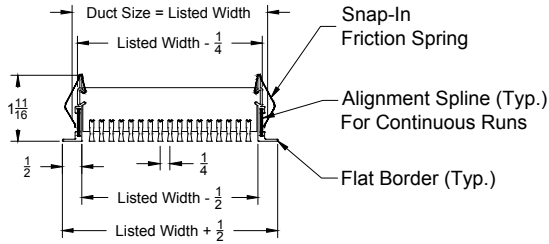
1	1 1/2	2	2 1/2	3	3 1/2	4	4 1/2	5	5 1/2	6	6 1/2	7	7 1/2	8	8 1/2	9	9 1/2	10	10 1/2	11	11 1/2	12
---	-------	---	-------	---	-------	---	-------	---	-------	---	-------	---	-------	---	-------	---	-------	----	--------	----	--------	----

Number of Bars

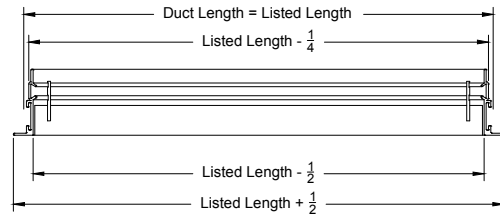
3	5	7	9	11	13	15	17	19	21	23	25	27	29	31	33	35	37	39	41	43	45	47
---	---	---	---	----	----	----	----	----	----	----	----	----	----	----	----	----	----	----	----	----	----	----

MODEL XG-2000

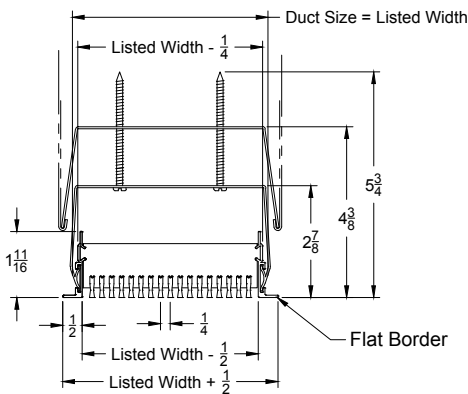
Models: XG-2400, XG-2415, XG-2430 (Wall Mounting - 0° / 15° / 30° Deflection)



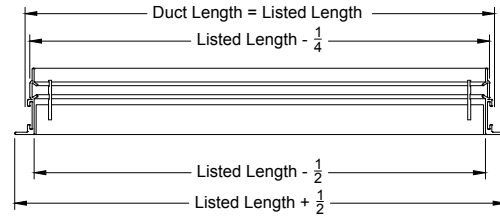
Side View



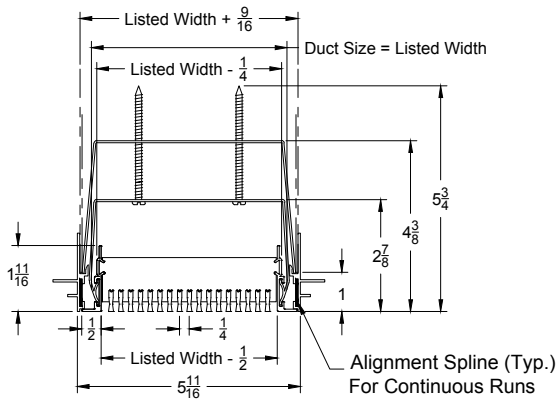
Models: XG-2400H, XG-2415H, XG-2430H (Concealed Mounting Hangers - 0° / 15° / 30° Deflection)



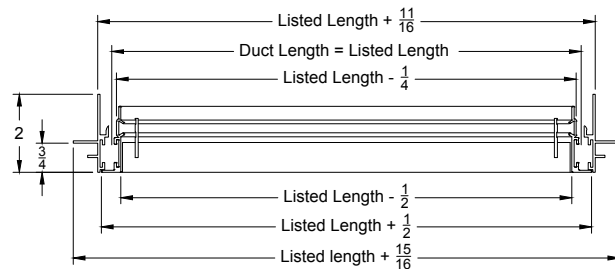
Side View



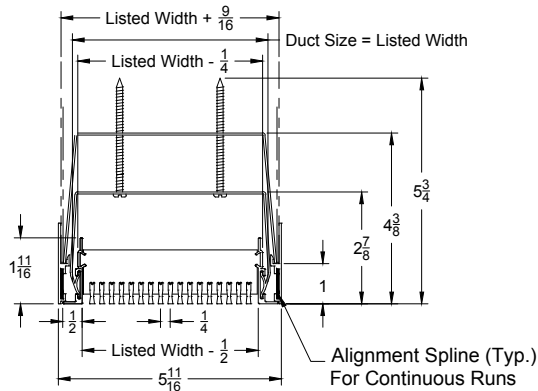
Models: XG-2400HP, XG-2415HP, XG-2430HP (Concealed Spline Mounting Frame - 0° / 15° / 30° Deflection)



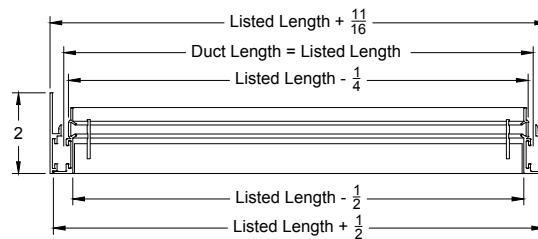
Side View



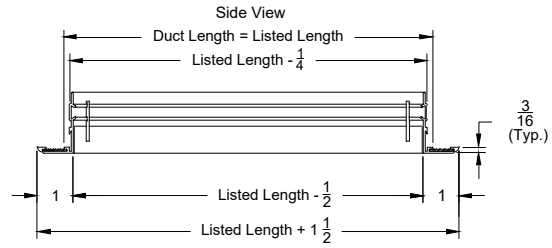
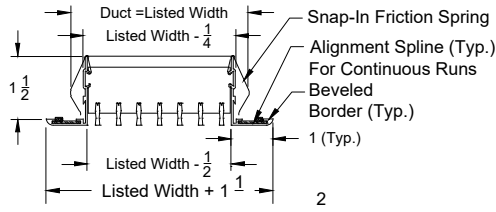
Models: XG-2400 HW, XG-2415 HW, XG-2430 HW (Narrow Mounting Frame - 0° / 15° / 30° Deflection)



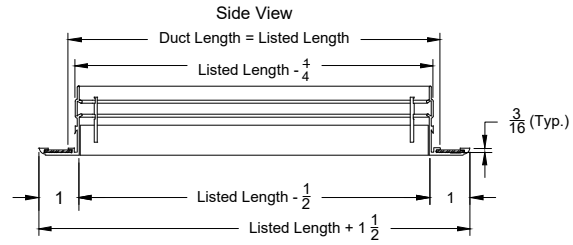
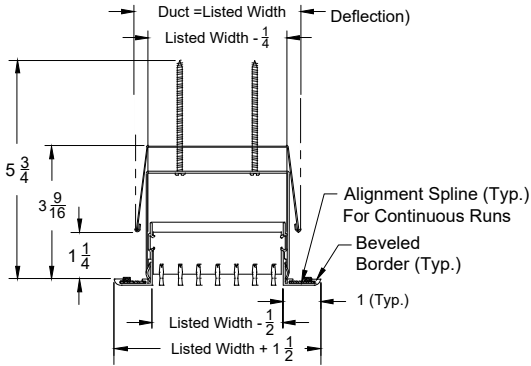
Side View



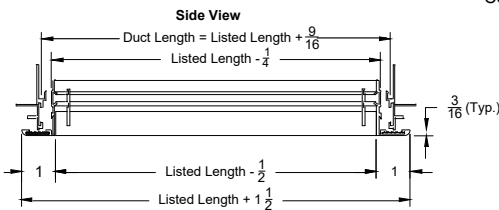
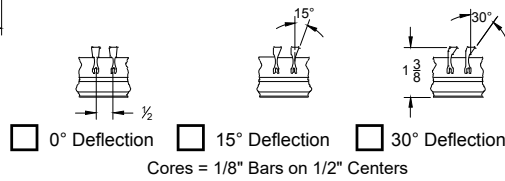
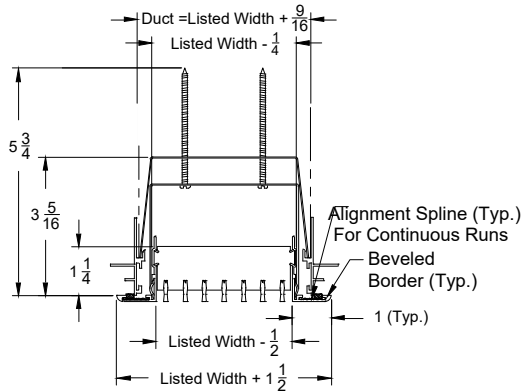
Models: XG-2500, XG-2515, XG-2530 (Wall Mounting - 0° / 15° / 30° Deflection)



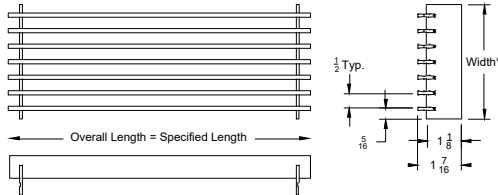
Models: XG-2500H, XG+2515H, 2XG+530H (Concealed Mounting Hangers - 0° / 15° / 30° Deflection)



Models: XG-2500HP, XG-2515HP, XG-2530HP (Concealed Spline Mounting Frame With Hangers - 0° / 15° / 30° Deflection)



Option: XG-CO - Core Only



MODEL XG-2000 NUMBER SPECIFICATION
MODEL XG-2000 (1 BORDER - 7/32 BARS - 1/2 CENTERS)

Model	Mounting	Length	Width	End Detail		Available Finishes	
XG-2000	Standard	6 - 72 (One Piece)	1 1/2 - 24 (1/2 Increments)	1EB	One End Border	01	White
XG-2015	H - Concealed Mtg W/ Hanger			2EB	Two End Borders	02	Satin Silver
XG-2030	HP - Spline Subframe / Concealed Mtg F - Floor Mtg FP - Floor Mtg / Pencil Proof			00	Open Ends	03	Black
						04	Clear Anodized
						24	Mill
						28	Custom Color

Available Accessories	
XG-DA	
XG-L9	Equalizing Grid

Available Options	
FSM	
Access Door	
(Access Door not available on floor units)	

MODEL XG-2000 CORE ONLY

Model	Length	Width	Available Finishes	
XG-2000CO	6 - 72 (One Piece)	1 1/2 - 24 (1/2 Increments)	01	White
XG-2015CO			02	Satin Silver
XG-2030CO			03	Black
			04	Clear Anodized
			24	Mill
			28	Custom Color

MODEL XG-2000 NUMBER SPECIFICATION
MODEL XG-2000 (1 BORDER - 7/32 BARS - 1/2 CENTERS)

Model	Mounting	Width	Miter Style		Available Finishes	
XG-2000	MC - Standard Miter Corner	1 1/2 - 24 (1/2 Increments)	90	Horizontal 90 Degree	01	White
XG-2015	HMC - Concealed Mtg W/ Hanger Miter Corner		SPEC	Special Miter	02	Satin Silver
XG-2030	HPMC - Spline Subframe / Concealed Mtg Miter Corner		VI	Vertical Inside	03	Black
	FMC - Floor Mtg Miter Corner		V2	Vertical Outside	04	Clear Anodized
	FPMC - Floor Mtg / Pencil Proof Miter Corner				24	Mill
					28	Custom Color

MODEL XG-2100 NUMBER SPECIFICATION
MODEL XG-2100 (1/2 BORDER - 7/32 BARS - 1/2 CENTERS)

Model	Mounting	Length	Width	End Detail		Available Finishes	
XG-2100	Standard	6 - 72 (One Piece)	1 1/2 - 24 (1/2 Increments)	1EB	One End Border	01	White
XG-2115	H - Concealed Mtg W/ Hanger			2EB	Two End Borders	02	Satin Silver
XG-2130	HP - Spline Subframe / Concealed Mtg HW - Narrow Subframe / Concealed Mtg HC - Combo Subframe / Concealed Mtg			00	Open Ends	03	Black
						04	Clear Anodized
						24	Mill
						28	Custom Color

Available Accessories	
XG-DA	
XG-L9	Equalizing Grid

Available Options	
Access Door	
(Access Door not available on floor units)	

MODEL XG-2100 NUMBER SPECIFICATION
MODEL XG-2100 MITER CORNER

Model	Mounting	Width	Miter Style		Air Flow	
XG-2100	MC - Standard Miter Corner	1 1/2 - 24 (1/2 Increments)	90	Horizontal 90 Degree	00	0 Degree Deflection
XG-2115	HMC - Concealed Mtg W/ Hanger Miter Corner		SPEC	Special Miter	IN	Air Flow In
XG-2130	HPMC - Spline Subframe / Concealed Mtg Miter Corner HWMC - Narrow Subframe / Concealed Mtg Miter Corner HCMC - Combo Subframe / Concealed Mtg Miter Corner		VI	Vertical Inside	OT	Air Flow Out
			V2	Vertical Outside		

Available Finishes	
01	White
02	Satin Silver
03	Black
04	Clear Anodized
24	Mill
28	Custom Color

MODEL XG-2200 NUMBER SPECIFICATION
MODEL XG-2200 (3/16 BORDER - 7/32 BARS - 1/2 CENTERS)

Model	Mounting	Length	Width	Finish		Accessories	
XG-2200	F - Floor Mtg	6 - 72	1 1/2 - 8	01	White	XG-L9	Equalizing Grid
XG-2215	FP - Floor Mtg W/Miter	(One Piece)	(1/2 Increments)	02	Satin Silver		
XG-2230				03	Black		
				04	Clear Anodized		
				24	Mill		
				28	Custom Color		

MODEL XG-2200 NUMBER SPECIFICATION
MODEL XG-2200 MITER CORNER

Model	Mounting	Width	Miter Style		Air Flow		Available Finishes	
XG-2200	FMC - Floor Mtg Miter Corner	1 1/2 - 8	90	Horizontal 90 Degree	00	0 Degree Deflection	01	White
XG-2215	FPM - Floor Mtg/Pencil Proof Miter Corner	(1/2 Increments)	SPEC	Special Miter	IN	Air Flow In	02	Satin Silver
XG-2230					OT	Air Flow Out	03	Black
							04	Clear Anodized
							24	Mill
							28	Custom Color

MODEL XG-2300 NUMBER SPECIFICATION
MODEL XG-2300 (1 BORDER - 1/8 BARS - 1/4 CENTERS)

Model	Mounting	Length	Width	End Detail		Available Finishes	
XG-2300	Standard	6 - 72 (One Piece)	1 1/2 - 12 (1/2 Increments)	1EB	One End Border	01	White
XG-2315	H - Concealed Mtg W/ Hanger			2EB	Two End Borders	02	Satin Silver
XG-2330	HP - Spline Subframe / Concealed Mtg F - Floor Mtg			00	Open Ends	03	Black
						04	Clear Anodized
						24	Mill
						28	Custom Color

Available Accessories	
XG-DA	
XG-L9	Equalizing Grid

Available Options	
FSM	
Access Door	
(Access Door not available on floor units)	

MODEL XG-2300 CORE ONLY

Model	Length	Width	Available Finishes	
XG-2300C0	6 - 72 (One Piece)	1 1/2 - 12 (1/2 Increments)	01	White
XG-2315C0			02	Satin Silver
XG-2330C0			03	Black
			04	Clear Anodized
			24	Mill
			28	Custom Color

MODEL XG-2300 MITER CORNER

Model	Mounting	Width	Miter Style		Air Flow	
XG-2300	MC - Standard Miter Corner	1 1/2 - 12 (1/2 Increments)	90	Horizontal 90 Degree	00	0 Degree Deflection
XG-2315	HMC - Concealed Mtg W/ Hanger Miter Corner		SPEC	Special Miter	IN	Air Flow In
XG-2330	HPMC - Spline Subframe / Concealed Mtg Miter Corner FMC - Floor Mtg Miter Corner FPMC - Floor Mtg / Pencil Proof Miter Corner		VI	Vertical Inside	OT	Air Flow Out
			V2	Vertical Outside		

Available Finishes	
01	White
02	Satin Silver
03	Black
04	Clear Anodized
24	Mill
28	Custom Color

MODEL XG-2400 NUMBER SPECIFICATION

MODEL XG-2400 (1/2 BORDER - 7/32 BARS - 1/2 CENTERS)

Model	Mounting	Length	Width	End Detail		Available Finishes	
XG-2400	Standard	6 - 72 (One Piece)	1 1/2 - 12 (1/2 Increments)	1EB	One End Border	01	White
XG-2415	H - Concealed Mtg W/ Hanger			2EB	Two End Borders	02	Satin Silver
XG-2430	HP - Spline Subframe / Concealed Mtg HW - Narrow Subframe / Concealed Mtg HC - Combo Subframe / Concealed Mtg			00	Open Ends	03	Black
						04	Clear Anodized
						24	Mill
						28	Custom Color

Available Accessories	
XG-DA	
XG-L9	Equalizing Grid

Available Options	
FSM	
Access Door	
(Access Door not available on floor units)	

MODEL XG-2400 MITER CORNER

Model	Mounting	Width	Miter Style		Air Flow	
XG-2400	MC - Standard Miter Corner	1 1/2 - 12 (1/2 Increments)	90	Horizontal 90 Degree	00	0 Degree Deflection
XG-2415	HMC - Concealed Mtg W/ Hanger Miter Corner		SPEC	Special Miter	IN	Air Flow In
XG-2430	HPMC - Spline Subframe / Concealed Mtg Miter Corner HVMC - Narrow Subframe / Concealed Mtg Miter Corner HCMC - Combo Subframe / Concealed Mtg Miter Corner		VI	Vertical Inside	OT	Air Flow Out
			V2	Vertical Outside		

Available Finishes	
01	White
02	Satin Silver
03	Black
04	Clear Anodized
24	Mill
28	Custom Color

MODEL XG-2500 NUMBER SPECIFICATION
MODEL XG-2500 (1 BORDER - 7/32 BARS - 1/2 CENTERS)

Model	Mounting	Length	Width	End Detail		Available Finishes	
XG-2500	Standard	6 - 72 (One Piece)	1 1/2 - 24 (1/2 Increments)	1EB	One End Border	01	White
XG-2515	H - Concealed Mtg W/ Hanger			2EB	Two End Borders	02	Satin Silver
XG-2530	HP - Spline Subframe / Concealed Mtg			00	Open Ends	03	Black
						04	Clear Anodized
						24	Mill
						28	Custom Color

Available Accessories	
XG-DA	
XG-L9	Equalizing Grid

Available Options	
FSM	
Access Door	
(Access Door not available on floor units)	

MODEL XG-2500 MITER CORNER

Model	Mounting	Width	Miter Style		Air Flow	
XG-2500	MC - Standard Miter Corner	1 1/2 - 24 (1/2 Increments)	90	Horizontal 90 Degree	00	0 Degree Deflection
XG-2515	HMC - Concealed Mtg W/ Hanger Miter Corner		SPEC	Special Miter	IN	Air Flow In
XG-2530	HPMC - Spline Subframe / Concealed Mtg Miter Corner		VI	Vertical Inside	OT	Air Flow Out
			V2	Vertical Outside		

Available Finishes	
01	White
02	Satin Silver
03	Black
04	Clear Anodized
24	Mill
28	Custom Color

SERIES XG-2000 PERFORMANCE DATA
MODEL XG-2000, XG-2100, XG-2200 (0° AND 15° DEFLECTION)

Listed Width (in inches)	Outlet Velocity (V _k)	500	700	900	1000	1100	1200	1300
	Total Pressure (Pt)	.016	.031	.051	.062	.076	.090	.105
	Static Pressure (Ps)	.012	.024	.040	.050	.060	.072	.084
	NC	-	15	20	23	26	29	31
1 1/2 .062	Flow CFM / FT	31	43	56	62	68	74	81
	Throw Sill or Floor	6-9	9-13	10-14	11-16	13-18	13-19	14-20
	Throw Side Wall	8-11	11-16	13-18	14-20	15-22	17-24	17-25
2 .086	Flow CFM / FT	43	60	77	86	95	103	112
	Throw Sill or Floor	5-8	8-12	10-14	11-16	13-18	13-19	14-20
	Throw Side Wall	7-10	10-15	13-18	14-20	15-22	17-24	17-25
2 1/2 .110	Flow CFM / FT	55	77	99	110	121	132	143
	Throw Sill or Floor	6-9	9-13	11-16	13-18	13-19	15-21	15-22
	Throw Side Wall	8-11	11-16	14-20	16-23	17-24	18-26	20-28
3 .130	Flow CFM / FT	65	91	117	130	143	156	169
	Throw Sill or Floor	7-10	10-15	13-18	15-21	15-22	17-24	18-26
	Throw Side Wall	8-12	13-18	15-22	17-25	18-26	20-28	21-30
3 1/2 .152	Flow CFM / FT	76	106	137	152	167	182	198
	Throw Sill or Floor	7-10	10-15	13-18	15-21	15-22	17-24	18-26
	Throw Side Wall	9-13	13-18	16-23	18-26	20-26	21-30	21-30
4 .176	Flow CFM / FT	88	123	158	176	194	211	229
	Throw Sill or Floor	8-11	12-16	14-20	16-23	18-26	19-27	20-29
	Throw Side Wall	10-14	15-22	17-25	20-29	22-32	24-34	25-36
5 .220	Flow CFM / FT	110	154	198	220	242	264	286
	Throw Sill or Floor	8-12	13-18	15-21	17-24	18-26	19-27	21-30
	Throw Side Wall	10-15	15-22	19-27	22-31	23-33	24-35	27-38
6 .265	Flow CFM / FT	133	186	239	265	292	318	345
	Throw Sill or Floor	8-12	13-18	15-22	17-25	18-26	20-28	21-30
	Throw Side Wall	10-15	15-22	19-27	22-31	23-33	24-35	27-38
8 .356	Flow CFM / FT	178	249	320	356	392		
	Throw Sill or Floor	10-14	13-19	15-22	18-26	19-27		
	Throw Side Wall	12-17	17-24	20-28	23-33	24-34		
10 .446	Flow CFM / FT	223	312	401	446			
	Throw Sill or Floor	10-15	15-22	18-26	21-30			
	Throw Side Wall	13-19	20-28	23-33	26-37			
12 .536	Flow CFM / FT	268	375	482				
	Throw Sill or Floor	12-17	22-31	21-33				
	Throw Side Wall	15-21	24-35	27-38				

SERIES XG-2000 PERFORMANCE DATA
MODEL XG-2000, XG-2100, XG-2200 (30° DEFLECTION)

Listed Width (in inches)	Outlet Velocity (V _k)	500	700	900	1000	1100	1200	1300
	Total Pressure (Pt)	.020	.040	.067	.081	.100	.119	.139
	Static Pressure (Ps)	.017	.034	.056	.070	.084	.100	.118
	NC	15	20	25	28	31	34	36
1 1/2 .062	Flow CFM / FT	35	49	64	71	78	84	92
	Throw Sill or Floor	5-8	8-12	10-14	11-16	13-18	13-19	14-20
	Throw Side Wall	7-9	10-14	12-16	14-20	15-22	17-24	17-25
2 .086	Flow CFM / FT	49	68	88	98	108	118	128
	Throw Sill or Floor	6-9	9-13	10-14	11-16	13-18	13-19	14-20
	Throw Side Wall	8-10	10-15	13-18	15-21	16-23	17-27	18-26
2 1/2 .110	Flow CFM / FT	63	88	113	126	138	151	163
	Throw Sill or Floor	6-9	9-13	11-16	13-18	13-19	15-21	15-22
	Throw Side Wall	8-11	11-16	14-60	16-23	17-24	18-26	20-28
3 .130	Flow CFM / FT	74	104	133	148	163	178	193
	Throw Sill or Floor	7-10	10-14	13-18	15-21	15-22	17-24	18-26
	Throw Side Wall	8-12	13-18	15-22	17-25	18-26	20-28	21-30
3 1/2 .152	Flow CFM / FT	87	121	156	173	191	208	226
	Throw Sill or Floor	7-10	10-15	13-18	14-20	15-21	15-22	17-24
	Throw Side Wall	8-12	13-19	16-23	18-26	20-28	21-30	22-32
4 .176	Flow CFM / FT	100	140	180	201	221	241	261
	Throw Sill or Floor	8-11	13-18	15-21	17-24	18-26	19-27	21-30
	Throw Side Wall	10-14	15-22	17-25	20-29	22-32	24-34	25-36
5 .220	Flow CFM / FT	126	176	226	251	276	301	326
	Throw Sill or Floor	8-12	13-18	15-22	17-25	18-26	20-28	21-30
	Throw Side Wall	10-15	15-22	19-27	22-31	23-33	24-35	27-38
6 .265	Flow CFM / FT	151	212	272	302	333	363	393
	Throw Sill or Floor	9-13	13-18	15-22	17-25	18-26	20-28	21-30
	Throw Side Wall	10-15	15-22	19-27	22-31	23-33	24-35	27-38
8 .356	Flow CFM / FT	203	284	366	406	447		
	Throw Sill or Floor	10-14	13-19	15-22	18-26	19-27		
	Throw Side Wall	12-17	17-24	20-28	23-33	24-34		
10 .446	Flow CFM / FT	254	356	458	509			
	Throw Sill or Floor	10-15	15-22	18-26	21-30			
	Throw Side Wall	13-19	20-28	23-33	26-37			
12 .536	Flow CFM / FT	306	428	550				
	Throw Sill or Floor	12-17	22-31	21-30				
	Throw Side Wall	15-21	24-35	27-38				

PERFORMANCE NOTES FOR SERIES XG-2000

All data is tested in accordance with ANSI/ASHRAE 70-2006.

DEFINITION OF UNITS

CFM Cubic Feet per Minute (air)

VK Outlet Velocity

Pt Total pressure (inches of water column)

Ps Static pressure = $P_t - P_v$ (inches of water column)

NC Noise criterion, sound pressure level NC ratings are based on sound power level (Lw) re: 10^{-12} watts minus a 10dB room attenuation in all octave bands

Throw Total distance (in feet) covered by an airstream before its maximum velocity falls to a preselected terminal level (Vt) of 150fpm and 50fpm respectively.

SERIES XG-2300 PERFORMANCE DATA
MODEL XG-2300, XG-2400 (0° AND 15° DEFLECTION)

Listed Width (in inches) and effective Free Area	Outlet Velocity (V _k)	500	700	900	1000	1100	1200	1300
	Total Pressure (Pt)	.020	.038	.062	.076	.091	.110	.128
	Static Pressure (Ps)	.015	.029	.049	.061	.073	.088	.102
	NC	15	18	24	28	31	35	37
1.5 .062	Flow CFM / FT	31	44	56	63	69	75	81
	Throw Sill or Floor	7-11	11-16	12-17	13-19	16-22	16-23	17-24
	Throw Side Wall	10-13	13-19	16-22	17-24	18-26	20-29	20-30
2 .086	Flow CFM / FT	43	60	77	85	94	102	111
	Throw Sill or Floor	6-10	10-14	12-17	13-19	16-22	16-23	17-24
	Throw Side Wall	8-12	12-18	16-22	17-24	18-26	20-29	20-30
2.5 .110	Flow CFM / FT	55	77	99	110	121	132	143
	Throw Sill or Floor	7-11	11-16	13-19	16-22	16-23	18-25	18-26
	Throw Side Wall	10-13	13-19	17-24	19-28	20-29	22-31	24-34
3 .130	Flow CFM / FT	65	91	117	130	143	156	169
	Throw Sill or Floor	8-12	12-17	16-22	17-24	18-25	18-26	20-29
	Throw Side Wall	10-14	16-22	18-26	20-30	22-31	24-34	25-36
3.5 .152	Flow CFM / FT	76	107	137	153	168	183	198
	Throw Sill or Floor	8-12	12-18	16-22	18-25	18-26	20-29	22-31
	Throw Side Wall	10-14	16-22	18-26	20-30	22-31	24-34	25-36
4 .176	Flow CFM / FT	88	123	158	176	193	210	228
	Throw Sill or Floor	10-13	16-22	17-24	1-29	22-31	23-32	24-35
	Throw Side Wall	12-18	18-26	20-30	24-35	26-38	29-41	30-43
5 .220	Flow CFM / FT	110	154	198	220	242	264	286
	Throw Sill or Floor	10-14	16-22	18-25	20-29	22-30	23-32	25-36
	Throw Side Wall	12-18	18-26	22-31	25-36	26-38	29-41	31-44
6 .265	Flow CFM / FT	133	186	239	265	292	318	345
	Throw Sill or Floor	10-14	16-22	18-26	20-30	22-32	24-34	25-36
	Throw Side Wall	12-18	18-26	23-32	26-37	28-40	30-43	32-46
8 .356	Flow CFM / FT	178	249	320	356	391		
	Throw Sill or Floor	12-17	16-23	18-26	22-31	23-33		
	Throw Side Wall	14-20	20-29	24-34	28-40	29-43		
10 .446	Flow CFM / FT	223	312	401	445			
	Throw Sill or Floor	12-18	18-26	22-31	25-36			
	Throw Side Wall	16-23	24-34	28-40	31-44			
12 .536	Flow CFM / FT	268	375	482				
	Throw Sill or Floor	14-20	26-37	25-36				
	Throw Side Wall	18-20	29-42	32-46				

SERIES XG-2300 PERFORMANCE DATA
MODEL XG-2300, XG-2400 (30° DEFLECTION)

Listed Width (in inches)	Outlet Velocity (V _k)	500	700	900	1000	1100	1200	1300
	Total Pressure (Pt)	.016	.031	.051	.062	.076	.090	.105
	Static Pressure (Ps)	.012	.024	.040	.050	.061	.072	.084
	NC	0	20	23	26	29	31	36
1.5 .062	Flow CFM / FT	36	50	65	71	79	86	94
	Throw Sill or Floor	7-11	11-16	12-17	13-19	16-22	16-23	17-24
	Throw Side Wall	10-13	13-19	16-22	17-24	18-26	20-29	20-30
2 .086	Flow CFM / FT	48	68	88	97	108	117	127
	Throw Sill or Floor	6-10	10-14	12-17	13-19	16-22	16-23	17-24
	Throw Side Wall	8-12	12-18	16-22	17-24	18-26	20-29	20-30
2.5 .110	Flow CFM / FT	63	88	114	125	139	152	164
	Throw Sill or Floor	7-11	11-16	13-19	16-22	16-23	18-25	18-26
	Throw Side Wall	10-13	13-19	17-24	19-28	20-29	22-31	24-34
3 .130	Flow CFM / FT	74	105	135	148	164	179	194
	Throw Sill or Floor	8-12	12-17	16-22	17-24	18-25	18-26	20-29
	Throw Side Wall	10-14	16-22	18-26	20-30	22-31	24-34	25-36
3.5 .152	Flow CFM / FT	87	123	156	174	193	211	228
	Throw Sill or Floor	8-12	12-18	16-22	18-25	18-26	20-29	22-31
	Throw Side Wall	10-14	16-23	19-28	22-31	24-34	25-36	26-38
4 .176	Flow CFM / FT	100	141	181	200	221	242	262
	Throw Sill or Floor	10-13	16-22	17-24	19-28	22-31	23-32	24-35
	Throw Side Wall	12-17	18-26	20-30	24-35	26-38	29-41	30-43
5 .220	Flow CFM / FT	125	177	228	251	278	304	329
	Throw Sill or Floor	10-14	16-22	18-25	20-29	22-31	23-32	25-36
	Throw Side Wall	12-17	18-26	22-31	25-36	26-38	29-41	31-44
6 .265	Flow CFM / FT	157	213	274	302	335	366	396
	Throw Sill or Floor	10-14	16-22	18-26	20-30	22-31	24-34	25-36
	Throw Side Wall	12-18	18-26	23-32	26-37	28-40	30-43	32-46
8 .356	Flow CFM / FT	202	286	367	405	449		
	Throw Sill or Floor	12-17	16-23	18-26	22-31	23-33		
	Throw Side Wall	14-20	20-29	23-32	28-40	29-43		
10 .446	Flow CFM / FT	254	358	461	507			
	Throw Sill or Floor	12-18	18-26	22-31	25-36			
	Throw Side Wall	16-23	20-29	28-40	31-44			
12 .536	Flow CFM / FT	305	431	554				
	Throw Sill or Floor	14-20	20-28	25-36				
	Throw Side Wall	18-25	29-42	32-46				

PERFORMANCE NOTES FOR SERIES XG-2300

All data is tested in accordance with ANSI/ASHRAE 70-2006.

DEFINITION OF UNITS

CFM Cubic Feet per Minute (air)

VK Outlet Velocity

Pt Total pressure (inches of water column)

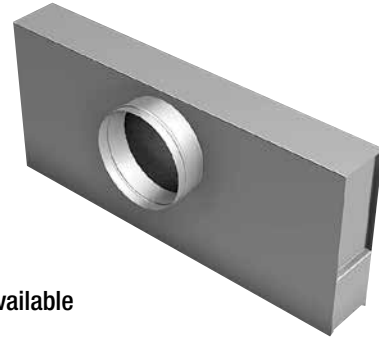
Ps Static pressure = $P_t - P_v$ (inches of water column)

NC Noise criterion, sound pressure level NC ratings are based on sound power level (Lw) re: 10^{-12} watts minus a 10dB room attenuation in all octave bands

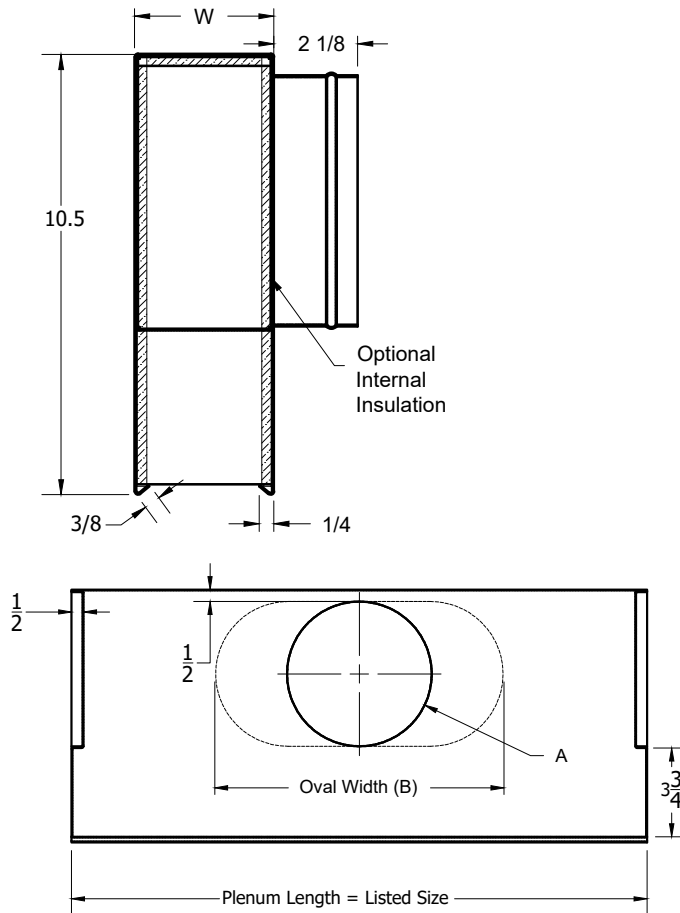
Throw Total distance (in feet) covered by an airstream before its maximum velocity falls to a preselected terminal level (Vt) of 150fpm and 50fpm respectively.

MODEL UP-XG-2000

The models UP-XG-2000 (un-insulated) and UPI-XG-2000 (insulated) are designed to connect the XG-2000 series to the ducted supply or return system. The UP-vXG-2000 is constructed of galvanized steel. The height of the plenum is 10".



- Standard insulation on UPI-XG-2000 is 1/2" Fiberglass
- Optional external insulation and internal closed cell foam insulation are also available
- Standard inlet sizes are 6" (round) or 8", 10", 12" and 14" (oval)
- Standard lengths available are 24", 36", 48", 60" and 72"



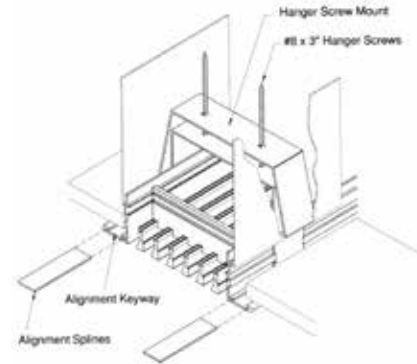
Inlet Chart			
Size	Type	A	B
6	Round	5 7/8	
8	Oval	5 7/8	8 15/16
10	Oval	5 7/8	12 1/16
12	Oval	5 7/8	15 1/4
14	Oval	5 7/8	18 7/16

XG-2000H, XG-2100H, XG-2300H, XG-2400H		XG-2000H, XG-2100H, XG-2300H, XG-2400H	
Linear Bar Grilles Width	DIM W (O.D. Width)	Linear Bar Grilles Width	DIM W (O.D. Width)
1.5	1.875	13	13.375
2	2.375	13.5	13.875
2.5	2.875	14	14.375
3	3.375	14.5	14.875
3.5	3.875	15	15.375
4	4.375	15.5	15.875
4.5	4.875	16	16.375
5	5.375	16.5	16.875
5.5	5.875	17	17.375
6	6.375	17.5	17.875
6.5	6.875	18	18.375
7	7.375	18.5	18.875
7.5	7.875	19	19.375
8	8.375	19.5	19.875
8.5	8.875	20	20.375
9	9.375	20.5	20.875
9.5	9.875	21	21.375
10	10.375	21.5	21.875
10.5	10.875	22	22.375
11	11.375	22.5	22.875
11.5	11.875	23	23.375
12	12.375	23.5	23.875
12.5	12.875	24	24.375

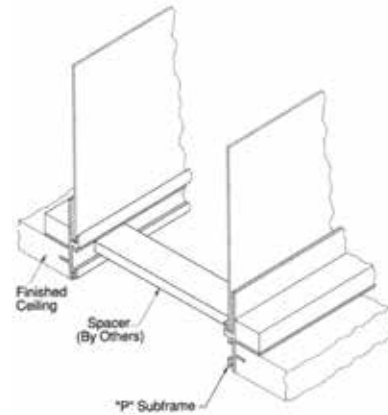
INSTALLATION INFORMATION

The hanger bracket mounting system is also designed to work well with factory supplied subframe material – both “P” and “W” styles. In order to ensure a satisfactory subframe installation, the following procedures should be followed:

- The factory supplied subframe material should be cut to the proper length (i.e., the nominal size of the Grille).
- The neck of the subframe should be attached to the outside of the ductwork with the ends of the duct nestled in the channel of the subframe extrusion.
- Care should be taken that the face of the subframe material is parallel to the finished surface, and, if being used as a plaster ground, the “P” subframe is recessed the proper distance from the designed finish wall.
- The long sides of the subframe must be braced with appropriately sized spacer bars to prevent distortion of the subframe dimensionally, especially during plastering. Note: this bracing must be done prior to plastering.
- The spacer bars should remain in place until the Grille is installed, and, in a long run, should be removed only when each Grille section is ready for installation. Subframe material used on long runs should be aligned section to section by use of the factory supplied alignment splines. In addition to serving as a plaster ground, the “P” style auxiliary subframe is designed to accommodate standard concealed spline ceiling tiles. The “W” style auxiliary subframe is installed in much the same manner as the “P” style subframe, except that it is usually placed in a ceiling directly against a sidewall. Note that Model XG-2000 Bar Grilles cannot be used with a “W” style subframe next to a wall because the 1” border of the Grille would overlap the subframe.



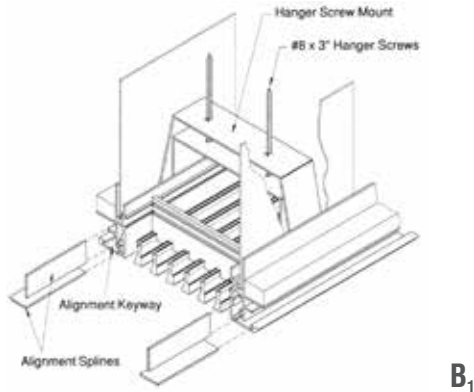
HANGER BRACKET INSTALLATION INTO HEMMED DUCTS



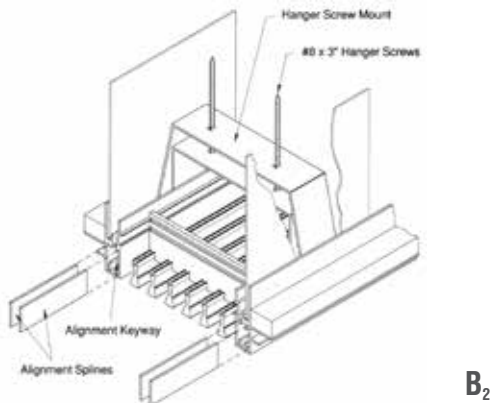
AUXILLARY SUBFRAME PREPARATION "P" AND "W" STYLES

INSTALLATION INFORMATION

HANGER BRACKET INSTALLATION INTO AUXILIARY SUBFRAME



Series XG-2000 and XG-2300 Linear Bar Grilles and Registers are easily installed into auxiliary subframe material using factory supplied hanger brackets and leveling screws according to the following instructions:

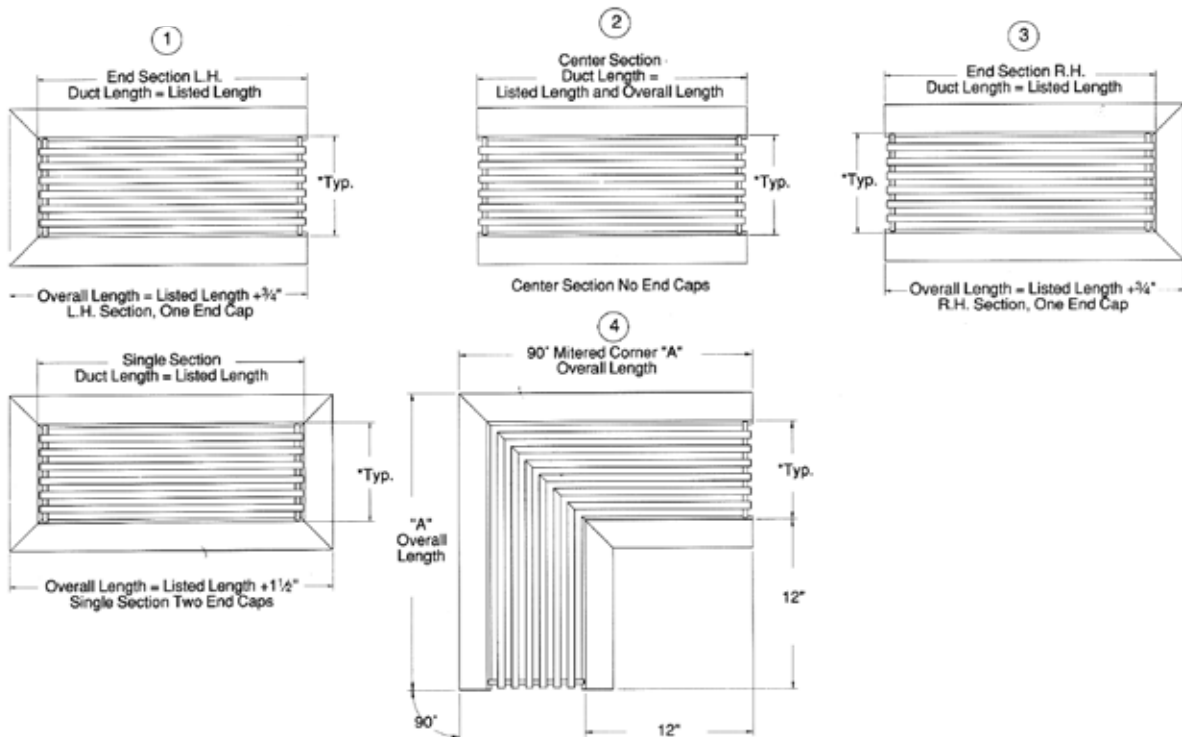
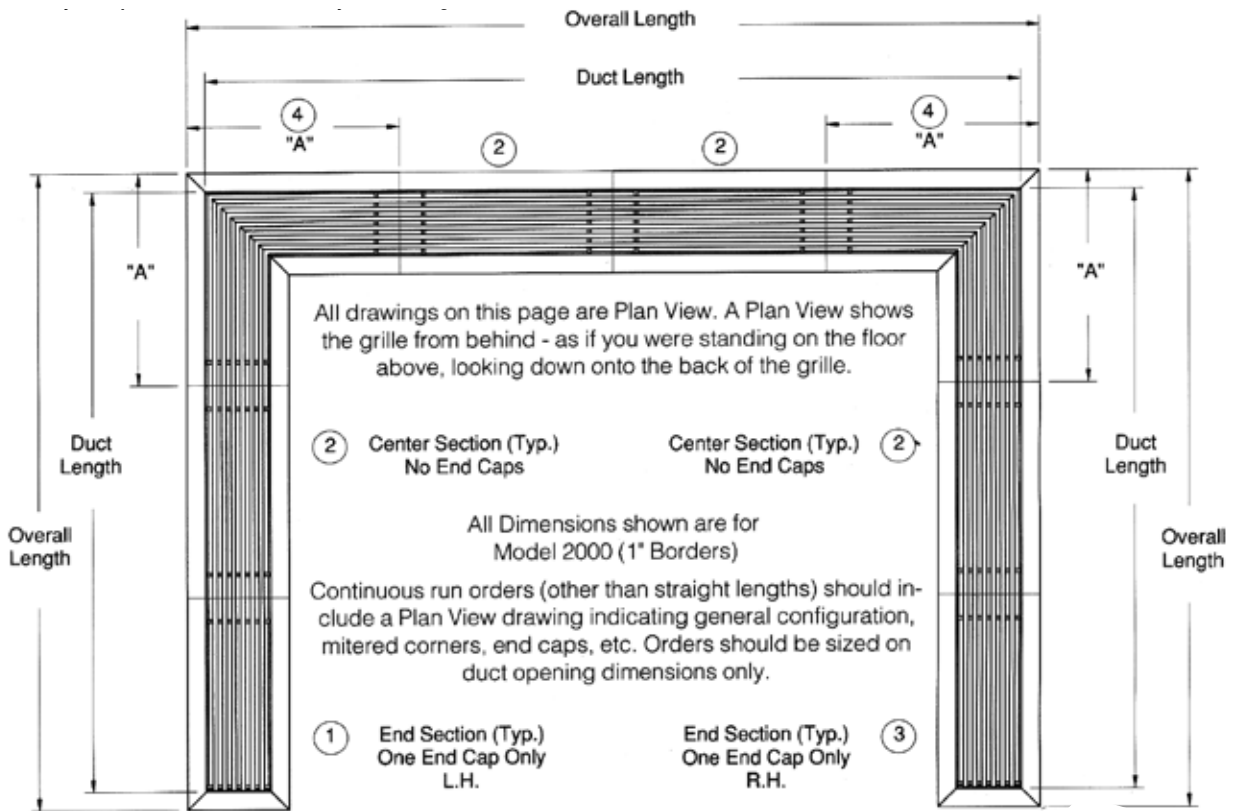


Model XG-2100 units – 1/2 inch Borders Model XG-2100 Bar Grilles and Registers are installed into auxiliary subframes following basically the procedures outlined above. Special care must be taken, however, in the installation of the XG-2100 unit due to the extremely narrow frame borders of these units. Installation should proceed as follows:

In order to ensure a satisfactory installation, the following procedures should be followed:

- Arrange the appropriate number of hanger brackets and hanger screw mounts (shipped unattached) on the neck of the Grille, positioning the brackets over the hanger screw mounts.
- Insert the supplied #8 X 3" screws through their mounts and into the proper hole in the hanger brackets, locking the Grille and hangers together.
- Position the Grille carefully in the duct opening and press into position, pushing the legs of the hanger brackets past the extruded channel of the auxiliary subframe, allowing them to snap into position (if necessary, press the hanger brackets upward with the screws to seat the brackets properly).
- Tighten the screws to draw the Grille firmly against the ceiling or sidewall, adjusting the tension to accommodate any variation in the mounting surface. In installations where long runs are composed of many separate units, the same procedure should be followed on each Grille section, taking care to use the factory supplied alignment splines to ensure a smooth and unbroken appearance.

DIMENSIONS AND CONTINUOUS RUNS



LOUVER FACE LINEARS

The Series XG-LFL are designed for continuous length applications where the clean lines of a louver face diffuser are desirable.



Model XG-LFL-1W One Way Louver Face Linear Diffuser

- Available in either surface mount (-1 border) or T-bar lay-in (-6 border) options
- Can be used for supply or return applications
- Available in continuous lengths from 18"-1200" and is offered in 6", 9" and 12" widths

PAGE 92

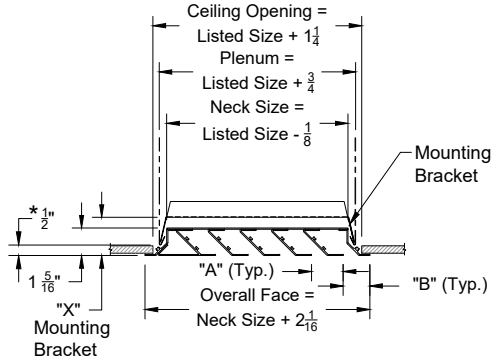
Model XG-LFL-2W Two Way Louver Face Linear Diffuser

- The XG-LFL-2W includes all the same features of the XG-LFL-1W but is provided with a Two Way air pattern.

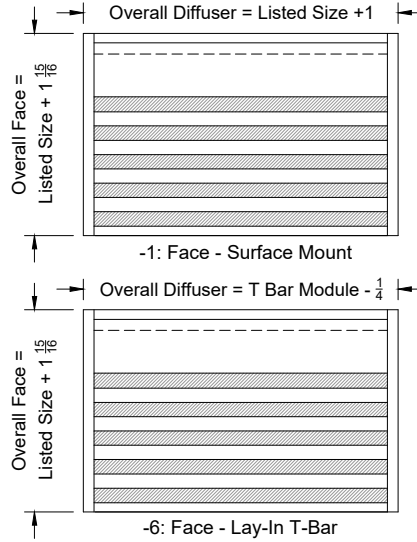
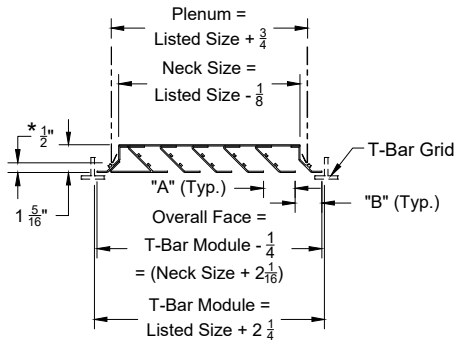
PAGE 94

Submittal Series XG-LFL-1-WAY

Model: XG-LFL-1W-1, Surface Mount, With 1 Way Air Pattern

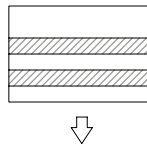


Model: XG-LFL-1W-6, Lay In T-Bar Mount, With 1 Way Air Pattern



Listed Size (Available Widths)	6	9	12
Neck Size	5 7/8	6 7/8	11 7/8
Overall Face Width	8	11	15
Blade Spacing "A"	1 5/8	1 9/16	1 9/16
End Spacing "B"	1 3/8	1 5/16	1 5/16
"X" Height - W/O - Damper	2	2	2
"X" Height - With - Damper	3 1/2	3 1/2	3 1/2

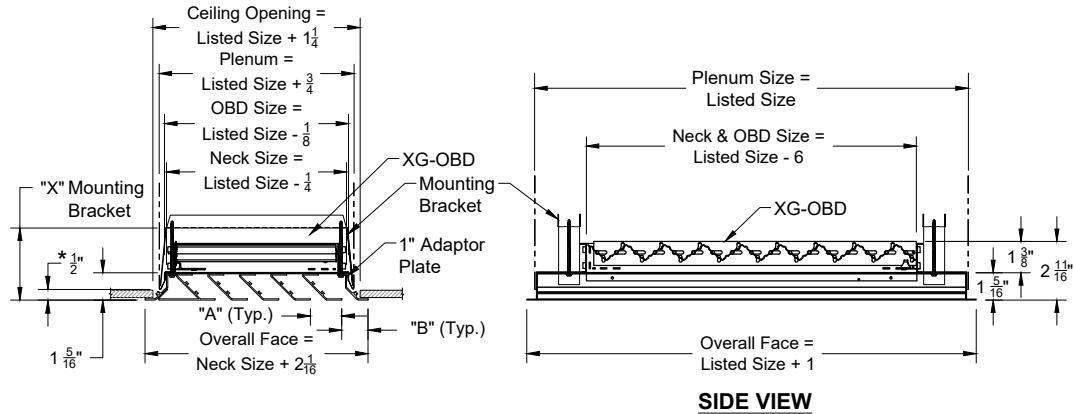
1-Way



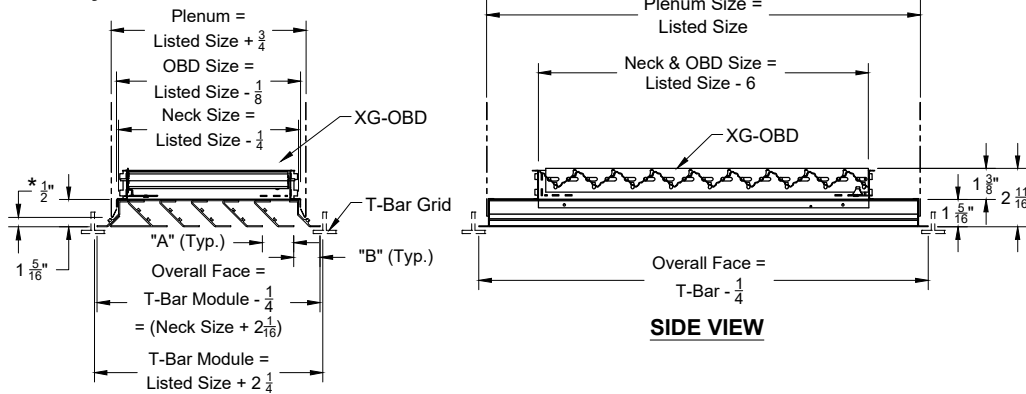
*Dimension indicates the distance needed for clearance from the bottom of the duct to the ceiling line and must be maintained for proper fit.

Submittal Series XG-LFL-1-WAY

Model: XG-LFL-1W-1, Concealed Mount, With 1 Way Air Pattern & XG-OBD

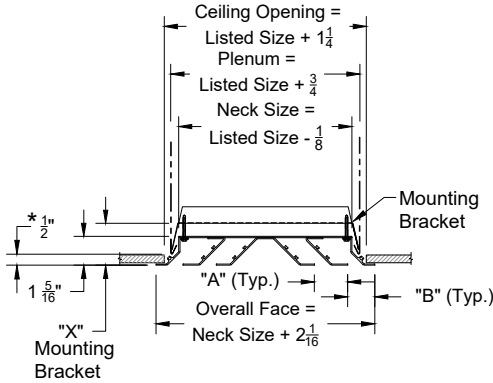


Model: XG-LFL-1W-6, Lay In T-Bar Mount, With 1 Way Air Pattern & XG-OBD

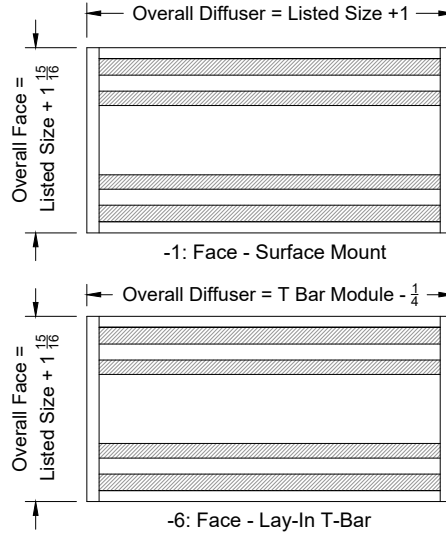
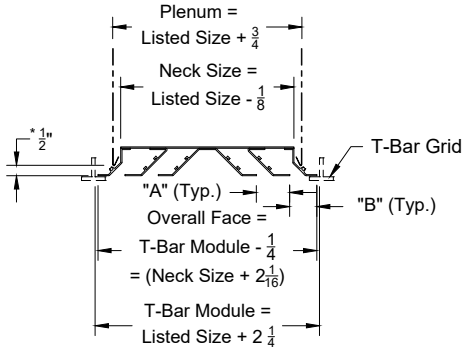


Submittal Series XG-LFL-2-WAY

Model: XG-LFL-2W-1, Surface Mount, With 2 way Air Pattern

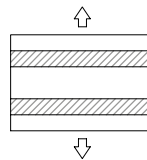


Model: XG-LFL-2W-6, Lay In T-Bar Mount, With 2 Way Air Pattern



Listed Size (Available Widths)	6	9	12
Neck Size	5 7/8	6 7/8	11 7/8
Overall Face Width	8	11	14
Blade Spacing "A"	-	1 3/4	1 11/16
End Spacing "B"	1 3/4	1 1/2	1 7/16
"X" Height - W/O - Damper	2	2	2
"X" Height - With - Damper	3 1/2	3 1/2	3 1/2

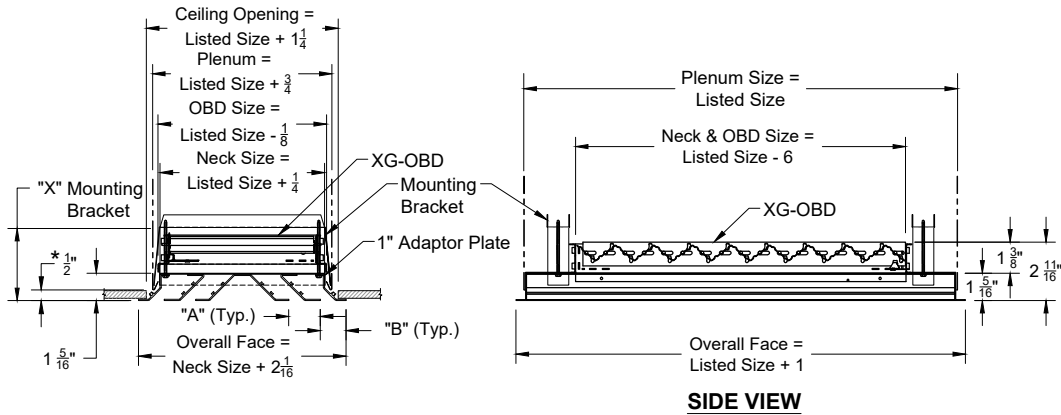
2-Way



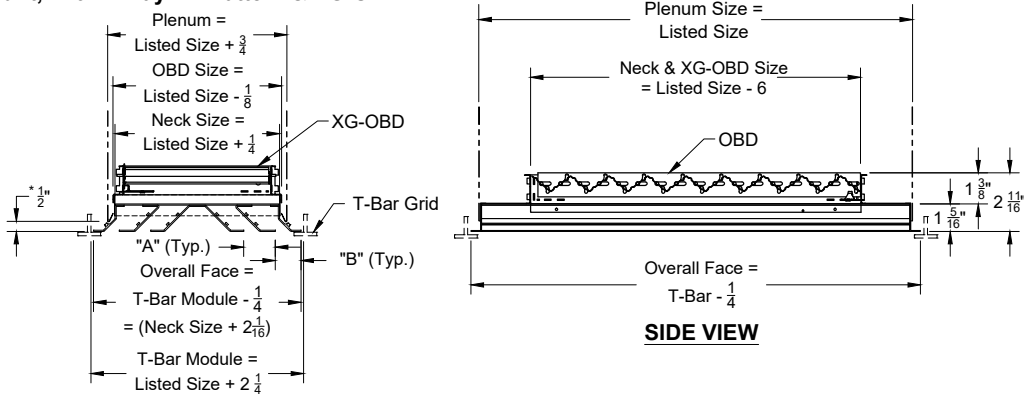
*Dimension indicates the distance needed for clearance from the bottom of the duct to the ceiling line and must be maintained for proper fit.

Submittal Series XG-LFL-2-WAY

Model: XG-LFL-2W-1, Concealed Mount, With 2 way Air Pattern



Model: XG-LFL-2W-6, Lay In T-Bar Mount, With 2 Way Air Pattern & XG-OBD



LOUVER FACE LINEAR DIFFUSER PERFORMANCE DATA
MODEL SERIES XG-LFL

		Unit Neck Width									
1-Way	6"	CFM/LF	20	40	60	80	100	120	140	160	180
		Pt	0.004	0.014	0.032	0.057	0.088	0.127	0.173	0.226	0.286
		Throw	1-4-10	6-10-20	10-15-26	14-20-30	16-24-33	20-26-36	23-28-39	24-30-42	26-31-44
		NC	-	-	-	-	17	23	30	32	35
	9"	CFM/LF	35	65	100	132	165	198	231	264	297
		Pt	0.005	0.016	0.037	0.065	0.102	0.146	0.199	0.260	0.330
		Throw	3-6-13	9-13-26	13-19-33	17-26-39	21-30-43	26-33-47	29-36-50	31-39-54	33-41-57
		NC	-	-	-	-	21	27	34	37	40
	12"	CFM/LF	45	95	140	185	235	280	325	380	420
		Pt	0.004	0.018	0.040	0.070	0.113	0.161	0.216	0.296	0.320
		Throw	4-8-16	10-16-31	16-23-39	21-31-45	26-36-51	31-39-56	34-42-60	37-45-64	39-48-68
		NC	-	-	-	22	32	38	43	45	50
2-Way	6"	CFM/LF	15	30	45	55	70	80	90	105	120
		Pt	0.004	0.014	0.032	0.057	0.088	0.127	0.173	0.226	0.286
		Throw	1-2-9	4-9-16	9-12-21	11-16-24	14-19-27	16-21-30	19-23-32	20-24-34	21-26-36
		NC	-	-	-	-	-	-	-	18	20
	9"	CFM/LF	25	55	75	105	135	155	185	210	240
		Pt	0.005	0.016	0.037	0.065	0.102	0.146	0.199	0.260	0.300
		Throw	2-4-11	8-11-24	11-17-30	16-24-34	19-27-39	24-30-42	26-32-45	28-34-49	30-36-51
		NC	-	-	-	-	17	23	29	32	35
	12"	CFM/LF	40	80	120	160	200	240	280	320	360
		Pt	0.004	0.018	0.040	0.070	0.113	0.161	0.216	0.296	0.320
		Throw	4-7-14	9-14-29	14-21-36	19-29-42	24-33-47	29-36-51	32-39-56	34-42-59	36-44-63
		NC	-	-	-	18	26	32	36	41	44

PERFORMANCE NOTES FOR MODEL SERIES XG-LFL

All data is tested in accordance with ANSI/ASHRAE 70-2006.

DEFINITION OF UNITS

CFM/LF Cubic Feet per Minute (air) / per Linear Ft.

Pt Total pressure (inches of water column)

Throw Distance in feet @50fpm terminal velocity with 10°FΔT cooling differential.

NC Noise criterion, sound pressure level NC ratings are based on sound power level (Lw) re: 10⁻¹² watts minus a 10dB room attenuation in all octave bands

NOTES:

NOTES:

Design and Selection Support

Enjoy Greenheck's extraordinary service, before, during and after the sale.

Greenheck offers added value to our wide selection of top performing, energy-efficient products by providing several unique service programs.



Our Quick Delivery program ensures shipment of in-stock products within 24 hours of placing your order. Our Quick Build made-to-order products are manufactured in 1-3-5-10-15 or 25-day production cycles, depending upon its complexity.



Greenheck's free computer aided product selection program CAPS®, rated by many as the best in the industry, helps you conveniently and efficiently select the right products for the challenge at hand.



Our 3D service allows you to download, at no charge, easy-to-use AutoDesk® Revit® 3D drawings for many of our ventilation products.

Find out more about these special services at greenheck.com



Building Value in Air

Greenheck delivers value to mechanical engineers by helping them solve virtually any air quality challenges their clients face with a comprehensive selection of

top quality, innovative air-related equipment. We offer extra value to contractors by providing easy-to-install, competitively priced, reliable products that arrive on time.

And building owners and occupants value the energy efficiency, low maintenance and quiet dependable operation they experience long after the construction project ends.

Our Commitment

As a result of our commitment to continuous improvement, Greenheck reserves the right to change specifications without notice.

Specific Greenheck product warranties are located on greenheck.com within the product area tabs and in the Library under Warranties.

