

Plenum Slot Diffusers



BUILDING VALUE IN AIR.

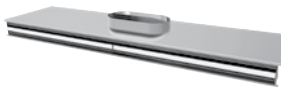


August
2021

PLENUM SLOT DIFFUSERS

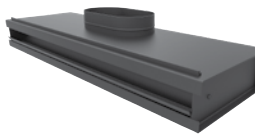
The GREENHECK line of high performance Plenum Slot Diffusers and Light Troffer Diffusers is designed to provide a tight air discharge pattern in variable flow conditions, making the GREENHECK Plenum Slot Diffusers an excellent choice for VAV systems.

Plenums are fabricated to ensure straightness, rigidity and maximum performance. The plenum heights are engineered to minimize pressure drop and sound levels while maximizing room air induction and comfort.



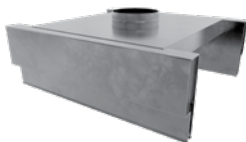
Plenum Diffusers with adjustable pattern controllers are high performance slot diffusers designed to control discharge direction. The units can be adjusted from full horizontal to full vertical discharge.

PAGE 2



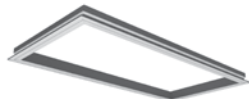
Plenum Diffusers with high capacity fixed patterns are high induction slot diffusers designed to maximize air entrainment and provide excellent mixing in the space. The diffusers are designed to minimize pressure drops and noise.

PAGE 24



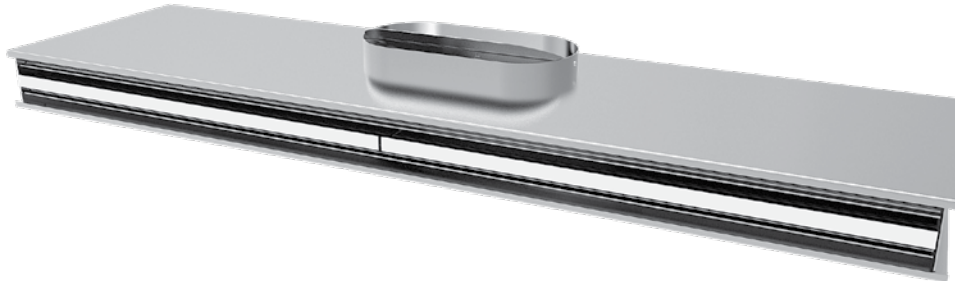
Light Troffer Diffusers are available with both single and dual sides designed with the flexibility to mount onto T-bar light fixtures regardless of the manufacturer. The product line includes a matching single sided return diffuser.

PAGE 44



Accessories for plenum slot diffusers include dampers and plaster frames.

PAGE 54



PLENUM DIFFUSERS WITH ADJUSTABLE PATTERN CONTROLLERS

Models XG-PHPS/XG-PHNS are high performance slot diffusers designed with a gasket tip deflection blade to control discharge direction. Gasket is mounted in a heavy extruded blade to ensure a tight seal and maximize performance.

PAGE 4

Model XG-PHPS-IT is a high performance slot diffuser with uniquely designed ice tong pattern controllers providing a greater range of air pattern adjustability.

PAGE 24

MODEL XG-PHPS/XG-PHNS

Supply - T-bar Lay-in – Insulated/Non Insulated/Model XG-PHCS(I)-6

Plenum slot supply diffusers shall be GREENHECK XG-PHPS-6 (non-insulated) or XG-PHPSI-6 (insulated). Plenum slot diffusers shall be of the sizes and mounting types as shown on the device schedule.



Diffusers shall have aluminum extruded deflector blades with a gasket tip to seal against the plenum side wall or slot divider. Units shall be adjustable from the slot opening to provide horizontal to vertical air patterns.

Inlets shall be round or oval, centrally located, with a minimum depth of 2 1/8" for ease of duct connection. Units with inlet depths less than 1-3/4" are not acceptable. For straightness and rigidity, plenums shall be fabricated using a single-piece panel construction and have a double metal thickness hem at the face. Plenum diffusers shall be constructed of corrosion resistant galvanized steel. Height of unit shall be 10" or greater to maximize diffuser performance.

Units with heights less than 10" are not acceptable.

Units shall be available with 1/2", 3/4", 1", or 1-1/2" slot widths and be available with 1, 2, 3, or 4 independent supply slots. Diffuser face and air pattern controller shall be black. Optional tees shall be white.

Insulated diffusers shall be model XG-PHPSI. Insulation shall be internal, 1/4" matte face. End caps must be insulated.

Return - T-bar Lay-in – Insulated/Non Insulated/Model XG-PHCR(I)-6

Plenum slot return diffusers shall be GREENHECK XG-PHPR-6 (non-insulated) or XG-PHPRI-6 (insulated). Return diffusers shall be of the sizes and mounting types as shown on the outlet schedule.

Units shall be designed for plenum return applications and match face appearance of the supply diffusers. Units shall include a light shield to minimize reflective light coming through the slot opening.

Plenum return units shall be constructed of corrosion resistant galvanized steel. For straightness and rigidity, plenums shall be fabricated using a double metal thickness hem at the face. Units fabricated without a double metal thickness hem at the face are not acceptable.

Units shall be available with 1/2", 3/4", 1", or 1-1/2" slot widths and be available with 1, 2, 3, or 4 independent supply slots. Diffuser face shall be black.

Optional tees shall be white.

Supply - Donn Finline Ceilings – Center Tee - Insulated/Non Insulated/ Model XG-PHPS(I)-9

Plenum slot supply diffusers shall be GREENHECK XG-PHPS-9 (non-insulated) or XG-PHPSI-9 (insulated). Plenum slot diffusers shall be of the sizes and mounting types as shown on the device schedule.

Units shall be designed to integrate into 9/16" wide bolt slot or narrow tee systems and include a factory-mounted 1" wide white center tee on two-slot units. Diffusers shall have aluminum extruded deflector blades with a gasket tip to seal against the plenum side wall or slot divider. Units shall be adjustable from the slot opening to provide horizontal to vertical air patterns.

Inlets shall be round or oval, centrally located, with a minimum depth of 2 1/8" for ease of duct connection. Units with inlet depths less than 1-3/4" are not acceptable. For straightness and rigidity, plenums shall be fabricated using a single-piece panel construction and have a double metal thickness hem at the face. Plenum diffusers shall be constructed of corrosion resistant galvanized steel. Height of unit shall be 10" or greater. Units with heights less than 10" are not acceptable.

Units shall be available with 3/4", 1", or 1-1/2" slot widths and be available with 1 or 2 independent supply slots. Diffuser face and air pattern controller shall be white.

Insulated diffusers shall be Model XG-PHPSI. Insulation shall be internal, 1/4" matte face. End caps must be insulated. Units without insulation on end caps will not be accepted.

Return - Donn Finline Ceilings – Center Tee - Insulated/Non Insulated/ Model XG-PHPR(I)-9

Plenum slot return diffusers shall be GREENHECK XG-PHPR-9 (non-insulated) or XG-PHPRI-9 (insulated). Return diffusers shall be of the sizes and mounting types as shown on the outlet schedule.

Units shall be designed for plenum return applications and match face appearance of the supply diffusers. Units shall include a light shield to minimize reflective light coming through the slot opening. Units shall be designed to integrate into a 9/16" wide bolt-slot or narrow tee system.

Plenum return units shall be constructed of corrosion resistant galvanized steel. For straightness and rigidity, plenums shall be fabricated with a double metal thickness hem at the face. Units fabricated without a double metal thickness at hem are not acceptable.

Units shall be available with 3/4", 1", or 1-1/2" slot widths and be available with 1 or 2 slots. Diffuser face shall be white. Optional tees shall be white.

Supply - Donn Finline Ceilings – Hat Section - Insulated/Non Insulated/Model XG-PHNS(I)-9

Plenum slot supply diffusers shall be GREENHECK XG-PHNS-9 (non-insulated) or XG-PHNSI-9 (insulated). Plenum slot diffusers shall be of the sizes and mounting types as shown on the device schedule.

Units shall be designed to integrate into 9/16" wide bolt slot or narrow tee systems and include a center hat channel to fit over ceiling tee (by others) on two-slot units. Diffusers shall have aluminum extruded deflector blades with a gasket tip to seal against the plenum side wall or slot divider. Units shall be adjustable from the slot opening to provide horizontal to vertical air patterns.

Inlets shall be round or oval, centrally located, with a minimum depth of 2 1/8" for ease of duct connection. Units with inlet depths less than 1-3/4" are not acceptable. For straightness and rigidity, plenums shall be fabricated using a single-piece panel construction and have a double metal thickness hem at the face. Plenum diffusers shall be constructed of corrosion resistant galvanized steel. Height of unit shall be 10" or greater. Units with heights less than 10" are not acceptable.

Units shall be available with 3/4", 1", or 1-1/2" slot widths and be available with 1 or 2 independent supply slots. Diffuser face and air pattern controller shall be white.

Insulated diffusers shall be model XG-PHPSI. Insulation shall be internal, 1/4" matte face. End caps must be insulated. Units without insulation on end caps will not be accepted.

Return - Donn Finline Ceilings – Hat Section - Insulated/Non Insulated/ Model XG-PHNR(I)-9

Plenum slot return diffusers shall be GREENHECK XG-PHNR-9 (non-insulated) or XG-PHNR I-9 (insulated). Return diffusers shall be of the sizes and mounting types as shown on the outlet schedule.

Units shall be designed for plenum return applications and match face appearance of the supply diffusers. Units shall include a light shield to minimize reflective light coming through the slot opening. Units shall be designed to integrate into a 9/16" wide bolt-slot or narrow tee system.

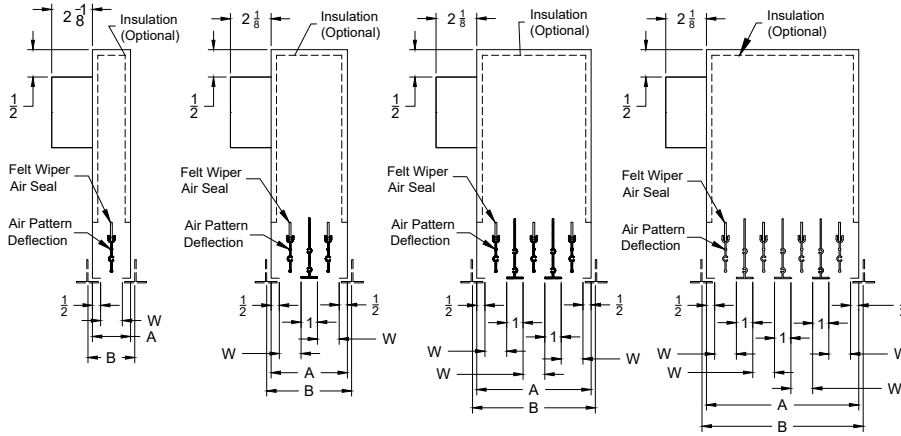
Plenum return units shall be constructed of corrosion resistant galvanized steel. For straightness and rigidity, plenums shall be fabricated with a double metal thickness hem at the face. Units fabricated without a double metal thickness at hem are not acceptable.

Units shall be available with 3/4", 1", or 1-1/2" slot widths and be available with 1 or 2 slots. Diffuser face shall be white. Optional tees shall be white.

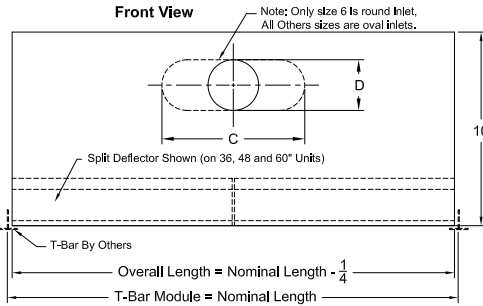
Performance Specification

The manufacturer shall provide published performance data. Data shall be tested in accordance to ANSI/ASHRAE Standard 70- 200

Model: XG-PHPS(I)-6 1 Slot (-50, -75, -10, -15) **Model: XG-PHPS(I)-6 2 Slots** (-50, -75, -10, -15) **Model: XG-PHPS(I)-6 3 Slots** (-50, -75, -10, -15) **Model: XG-PHPS(I)-6 4 Slots** (-50, -75, -10, -15)

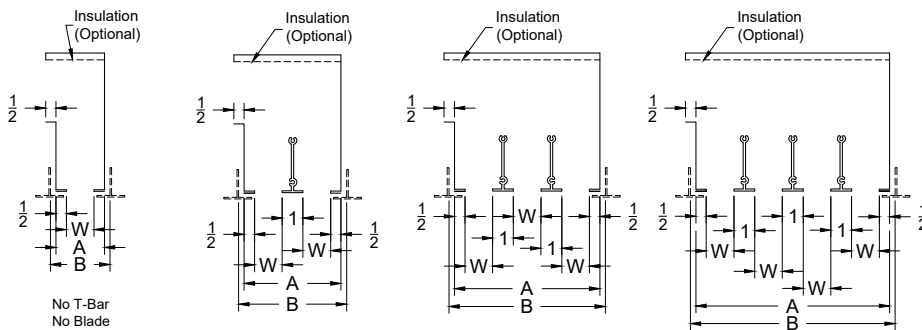


Models		Nominal Length	W	1 Slot		2 Slots		3 Slots		4 Slots	
Supply	Return			A	B	A	B	A	B	A	B
XG-PHPS(I)-50-6	XG-PHPR(I)-50-6	24, 36, 48, 60	1/2	1 1/2	1 3/4	3	3 3/4	4 1/2	4 3/4	6	6 1/4
XG-PHPS(I)-75-6	XG-PHPR(I)-75-6	24, 36, 48, 60	3/4	1 3/4	2	3 1/2	3 3/4	5 1/4	5 1/2	7	7 1/4
XG-PHPS(I)-10-6	XG-PHPR(I)-10-6	24, 36, 48, 60	1	2	2 1/4	4	4 1/4	6	6 1/4	8	8 1/4
XG-PHPS(I)-15-6	XG-PHPR(I)-15-6	24, 36, 48, 60	1 1/2	2 1/2	2 3/4	5	5 1/4	7 1/2	7 3/4	10	10 1/4

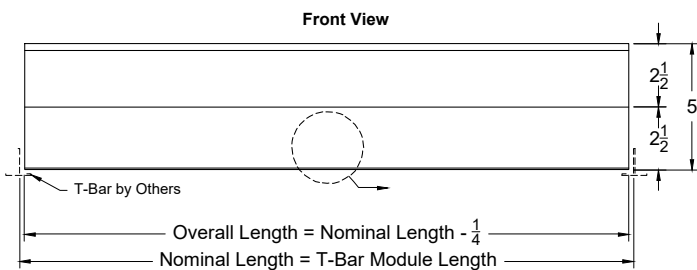


Inlet Size	C	D
6 Round	5 7/8	6
8 Oval	8 15/16	6
10 Oval	12 1/16	6
12 Oval	15 1/4	6

Model: XG-PHPR(I)-6 1 Slot (-50, -75, -10, -15) **Model: XG-PHPR(I)-6 2 Slots** (-50, -75, 10, -15) **Model: XG-PHPR(I)-6 3 Slots** (-50, -75, -10, -15) **Model: XG-PHPR(I)-6 4 Slots** (-50, -75, 10, -15)



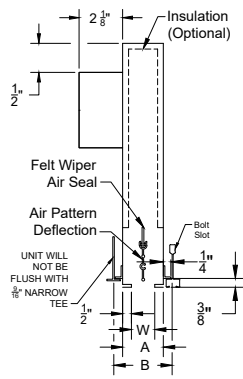
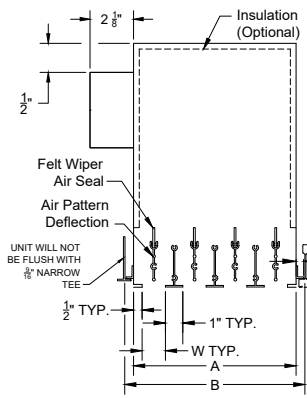
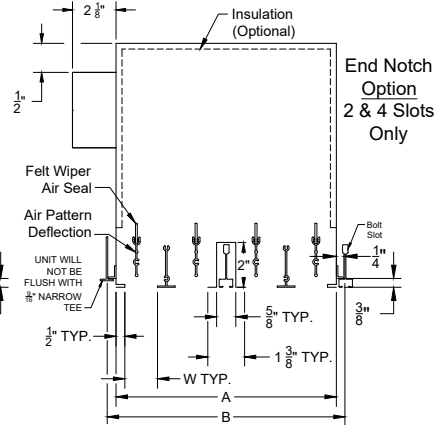
For Dimensions A, B, L & W See Table on Page 1



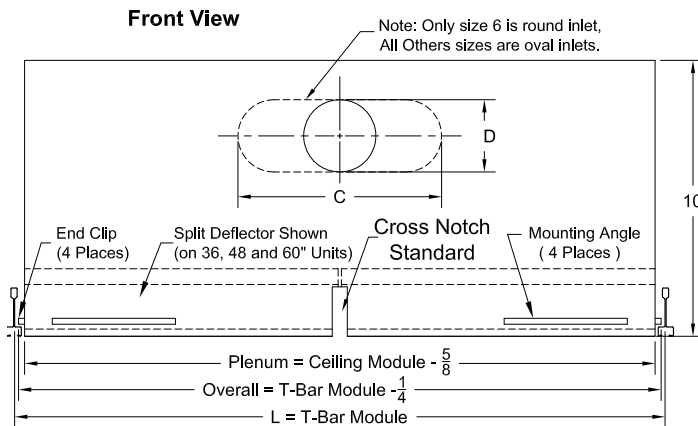
Note: XG-PHP-6 Units are compatible in the following ceiling types:
 • 15/16" T-Bar Grids
 • 9/16" Flat Narrow T-Bar

Cross Notch - Optional on 48" Only

MODEL XG-PHPS/XG-PHNS

Model: XG-PHPS(I)-9 1 Slot

Model: XG-PHPS(I)-9 2, 3 & 4 Slots

Model: XG-PHNS(I)-9 2 & 4 Slots


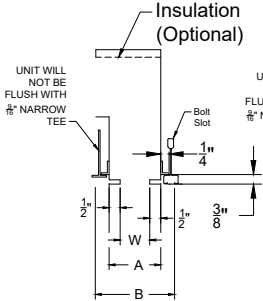
Models		Nominal Length	W	1 Slot with Center Tee		2 Slots with Center Tee		2 Slots with Hat Section	
Supply	Return			A	B	A	B	A	B
XG-PHPS(I)-75-9	XG-PHPR(I)-75-9	24, 48	3/4	1 3/4	2 3/8	3 1/2	4 1/8	-	-
XG-PHPS(I)-10-9	XG-PHPR(I)-10-9	24, 48	1	2	2 5/8	4	4 5/8	-	-
XG-PHPS(I)-15-9	XG-PHPR(I)-15-9	24, 48	1 1/2	2 1/2	3 1/8	5	5 5/8	-	-
XG-PHNS(I)-75-9	XG-PHNR(I)-75-9	24, 48	-	-	-	-	-	3 7/8	4 1/4
XG-PHNS(I)-10-9	XG-PHNR(I)-10-9	24, 48	-	-	-	-	-	4 3/8	5
XG-PHNS(I)-15-9	XG-PHNR(I)-15-9	24, 48	-	-	-	-	-	5 3/8	6



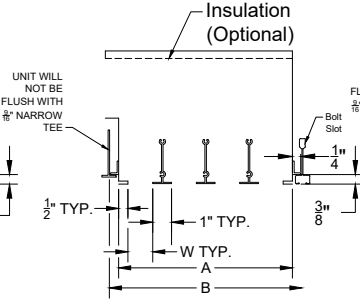
Inlet Size	C	D
6" Round	-	5 7/8
8" Oval	8 15/16	6
10" Oval	12 1/16	6
12" Oval	15 1/4	6

MODEL XG-PHPS/XG-PHNS

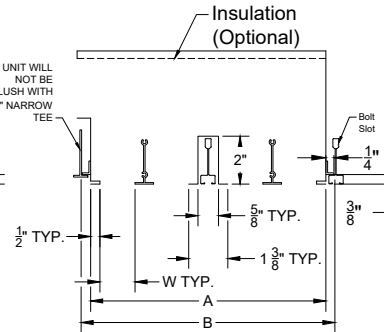
Model: XG-PHPR-9
1 Slot



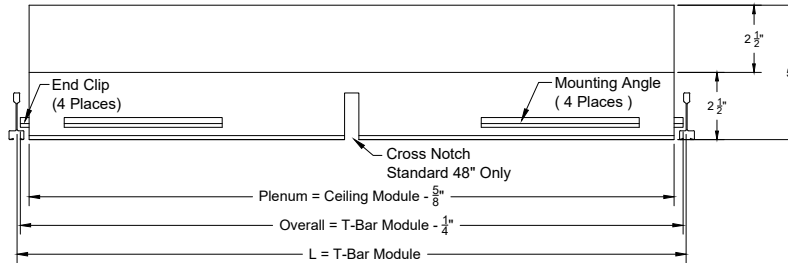
Model: XG-PHPR-9
2, 3 & 4 Slots



Model: XG-PHNR-9
2 & 4 Slots



For Dimensions A, B, L & W See Table on Page 1



Front View

Note: XG-PHP-9 units are compatible with the following ceiling types:

- Donn Finline
- 9/16" Narrow Flat Tee
- 9/16" Tegular
- 9/16" Bolt-Slot

XG-PHP MODEL NUMBER SPECIFICATION PLENUM SLOT DIFFUSER

Non-insulated		# of Slots	Slot Lengths	Inlets	Available Finishes	
XG-PHPS-50-6	1/2" Slot Width	1	24"	No Inlet	Standard Finish	
XG-PHPS-75-6	3/4" Slot Width	2	36"	6" Round	25	White Tee / Black Border
XG-PHPS-10-6	1" Slot Width	3	48"	8" Oval	Optional Finishes	
XG-PHPS-15-6	1 1/2" Slot Width	4	60"	10" Oval	26	All White
				12" Oval	27	All Black
				14" Oval		

Insulated		# of Slots	Slot Lengths	Inlets	Available Accessories	
XG-PHPSI-50-6	1/2" Slot Width	1	24"	No Inlet	LQ	Locking Quadrant Damper
XG-PHPSI-75-6	3/4" Slot Width	2	36"	6" Round	XG-PHP-XG-TBPF	T-bar Plaster Frame
XG-PHPSI-10-6	1" Slot Width	3	48"	8" Oval	CC	Closed Cell Insulation
XG-PHPSI-15-6	1 1/2" Slot Width	4	60"	10" Oval	EI	External Fiberglass Insulation
				12" Oval		
				14" Oval		

Available Options	
CN	Cross Notch (Standard on Units over 24")
T-1	One Outside Tee
T-2	Two Outside Tees
TC-1	One Outside T-bar Clip
TC-2	Bar Clips Both Ends
TC-3	One T-bar Clip / One Outside Tee
EN	End Notch
EN-2	End Notch / Two Tees
NB	No Blades

**XG-PHP MODEL NUMBER SPECIFICATION
PLENUM SLOT DIFFUSER**

Center Tee - Non-insulated		# of Slots	Slot Lengths	Inlets	Available Finishes	
XG-PHPS-75-9	3/4" Slot Width	1	24"	No Inlet	Standard Finish	
XG-PHPS-10-9	1" Slot Width	2	48"	6" Round	25	White Tee / Black Border
XG-PHPS-15-9	1 1/2" Slot Width	3		8" Oval	Optional Finishes	
		4		10" Oval	26	All White
				12" Oval	27	All Black
				14" Oval	Available Accessories	
					LQ	Locking Quadrant Damper
					NB	No Blades

Hat Section - Non-insulated		# of Slots	Slot Lengths	Inlets	Available Finishes	
XG-PHNS-75-9	3/4" Slot Width	2	24"	No Inlet	Standard Finish	
XG-PHNS-10-9	1" Slot Width	4	48"	6" Round	25	White Tee / Black Border
XG-PHNS-15-9	1 1/2" Slot Width			8" Oval	Optional Finishes	
				10" Oval	26	All White
				12" Oval	27	All Black
				14" Oval	Available Accessories	
					LQ	Locking Quadrant Damper
					NB	No Blades

Center Tee - Insulated		# of Slots	Slot Lengths	Inlets	Available Finishes	
XG-PHPSI-75-9	3/4" Slot Width	1	24"	No Inlet	Standard Finish	
XG-PHPSI-10-9	1" Slot Width	2	48"	6" Round	25	White Tee / Black Border
XG-PHPSI-15-9	1 1/2" Slot Width	3		8" Oval	Optional Finishes	
		4		10" Oval	26	All White
				12" Oval	27	All Black
				14" Oval	Available Accessories	
					LQ	Locking Quadrant Damper
					NB	No Blades
					CC	Closed Cell Insulation
					EI	External Fiberglass Insulation

Hat Section - Insulated		# of Slots	Slot Lengths	Inlets	Available Finishes	
XG-PHNSI-75-9	3/4" Slot Width	2	24"	No Inlet	Standard Finish	
XG-PHNSI-10-9	1" Slot Width	4	48"	6" Round	25	White Tee / Black Border
XG-PHNSI-15-9	1 1/2" Slot Width			8" Oval	Optional Finishes	
				10" Oval	26	All White
				12" Oval	27	All Black
				14" Oval	Available Accessories	
					LQ	Locking Quadrant Damper
					NB	No Blades
					CC	Closed Cell Insulation
					EI	External Fiberglass Insulation

PLENUM SLOT
DIFFUSERS

PLENUM DIFFUSERS WITH
ADJUSTABLE PATTERN
CONTROLLERS

XG-PHPS

XG-PHP MODEL NUMBER SPECIFICATION PLENUM SLOT DIFFUSER

Non-insulated		# of Slots	Slot Lengths	Available Finishes	
XG-PHPR-50-6	1/2" Slot Width	1	24"	Standard Finish	
XG-PHPR-75-6	3/4" Slot Width			25	White Tee / Black Border
XG-PHPR-10-6	1" Slot Width	3	48"	Optional Finishes	
XG-PHPR-15-6	1 1/2" Slot Width	4	60"	26	All White
				27	All Black

Insulated		# of Slots	Slot Lengths	Available Accessories	
XG-PHPRI-50-6		1	24"	LQ	Locking Quadrant Damper
XG-PHPRI-75-6		2	36"	PHP-TBPF	T-bar Plaster Frame
XG-PHPRI-10-6		3	48"	CC	Closed Cell Insulation
XG-PHPRI-15-6		4	60"	EI	External Fiberglass Insulation

Available Options	
CN	Cross Notch (Standard on Units over 24")
T-1	One Outside Tee
T-2	Two Outside Tees
TC-1	One Outside T-bar Clip
TC-2	Bar Clips Both Ends
TC-3	One T-bar Clip / One Outside Tee
EN	End Notch
EN-2	End Notch / Two Tees

**XG-PHP MODEL NUMBER SPECIFICATION
PLENUM SLOT DIFFUSER**

Center Tee - Non-insulated		# of Slots	Slot Lengths	Available Finishes	
XG-PHPR-75-9	3/4" Slot Width	1	24"	Standard Finish	
XG-PHPR-10-9	1" Slot Width			25	White Tee / Black Border
XG-PHPR-15-9	1 1/2" Slot Width	3	48"	Optional Finishes	
		4		26	All White
				27	All Black
Available Accessories					
				LQ	Locking Quadrant Damper

Hat Section - Non-insulated		# of Slots	Slot Lengths	Available Finishes	
XG-PHNR-75-9	3/4" Slot Width	2	24"	Standard Finish	
XG-PHNR-10-9	1" Slot Width	4	48"	25	White Tee / Black Border
XG-PHNR-15-9	1 1/2" Slot Width			Optional Finishes	
				26	All White
				27	All Black
Available Accessories					
				LQ	Locking Quadrant Damper

Center Tee - Insulated		# of Slots	Slot Lengths	Available Finishes	
XG-PHPRI-75-9	3/4" Slot Width	1	24"	Standard Finish	
XG-PHPRI-10-9	1" Slot Width			25	White Tee / Black Border
XG-PHPRI-15-9	1 1/2" Slot Width	3	48"	Optional Finishes	
		4		26	All White
				27	All Black
Available Accessories					
				LQ	Locking Quadrant Damper
				CC	Closed Cell Insulation
				EI	External Fiberglass Insulation

Hat Section - Insulated		# of Slots	Slot Lengths	Available Finishes	
XG-PHNRI-75-9	3/4" Slot Width	2	24"	Standard Finish	
XG-PHNRI-10-9	1" Slot Width	4	48"	25	White Tee / Black Border
XG-PHNRI-15-9	1 1/2" Slot Width			Optional Finishes	
				26	All White
				27	All Black
Available Accessories					
				LQ	Locking Quadrant Damper
				CC	Closed Cell Insulation
				EI	External Fiberglass Insulation

PLENUM SLOT
DIFFUSERS

PLENUM DIFFUSERS WITH
ADJUSTABLE PATTERN
CONTROLLERS

XG-PHPS

SERIES XG-PHP PERFORMANCE DATA
MODEL XG-PHPS/XG-PHPSI ONE SLOT

		CFM/LF	10	15	25	40	60	75	90	120	
1/2" Slot Width	2' Length 6" Inlet	Horizontal	CFM	20	30	50	80	120	150	180	240
			Ps	.010	.023	.064	.163	.367	.574	.826	1.469
			Pt	.011	.024	.068	.174	.390	.610	.879	1.562
		Throw	2-3-6	3-5-6	5-7-10	7-9-12	9-11-15	10-12-17	11-13-19	12-15-22	
		NC	<10	<10	17	29	39	43	47	56	
		Vertical	Ps	.013	.029	.082	.209	.471	.736	1.060	1.885
	Pt		.014	.031	.086	.220	.495	.773	1.113	1.978	
	Throw		1-1-3	1-2-4	2-3-7	4-5-11	5-8-16	7-10-20	8-12-24	11-16-32	
	4' Length 6" Inlet	Horizontal	CFM	40	60	100	160	240	300	360	-
			Ps	.010	.023	.063	.160	.360	.563	.810	-
			Pt	.013	.028	.079	.201	.453	.708	1.020	-
		Throw	2-3-7	3-5-10	6-8-14	9-12-18	12-15-22	14-17-24	15-19-26	-	
		NC	<10	<10	20	32	42	46	50	-	
		Vertical	Ps	.013	.029	.080	.205	.462	.722	1.039	-
	Pt		.015	.035	.096	.247	.555	.867	1.249	-	
	Throw		2-3-5	3-4-8	4-6-13	7-10-20	10-15-30	13-19-38	15-23-46	-	
	5' Length 8" Inlet	Horizontal	CFM	50	75	125	200	300	375	450	-
			Ps	.010	.022	.061	.157	.353	.551	.794	-
Pt			.011	.025	.070	.180	.405	.633	.912	-	
Throw		3-4-8	4-6-12	7-11-16	11-14-20	14-17-24	16-19-27	17-21-29	-		
NC		<10	11	22	34	44	48	52	-		
Vertical		Ps	.013	.028	.079	.201	.453	.707	1.018	-	
	Pt	.014	.032	.088	.224	.505	.789	1.136	-		
	Throw	2-3-7	3-5-10	5-8-16	9-13-26	13-20-40	16-25-49	20-30-59	-		
NC			<10	12	26	39	46	50	55	-	
	2' Length 8" Inlet	Horizontal	CFM	20	30	50	80	120	150	180	240
			Ps	.007	.015	.041	.104	.235	.367	.528	.939
			Pt	.007	.015	.042	.108	.243	.380	.973	-
		Throw	2-3-5	3-4-7	4-6-8	7-8-12	8-10-14	9-11-16	10-12-17	12-14-20	
		NC	<10	<10	<10	23	32	37	40	47	
Vertical		Ps	.008	.017	.048	.123	.277	.433	.623	1.108	
	Pt	.008	.018	.050	.127	.285	.446	.642	1.141		
	Throw	1-1-2	1-2-3	2-3-5	3-4-9	4-7-13	5-8-16	7-10-20	9-13-26		
NC			<10	<10	<10	24	36	41	45	54	
	4' Length 8" Inlet	Horizontal	CFM	40	60	100	160	240	300	360	-
			Ps	.006	.014	.040	.102	.230	.360	.518	-
			Pt	.007	.016	.046	.117	.264	.412	.593	-
		Throw	2-3-6	3-4-8	5-7-13	7-11-16	11-14-20	13-16-22	14-17-25	-	
		NC	<10	<10	15	26	35	40	43	-	
Vertical		Ps	.008	.017	.047	.121	.272	.424	.611	-	
	Pt	.008	.019	.053	.136	.305	.477	.686	-		
	Throw	1-2-4	2-3-6	3-5-10	6-8-17	8-12-25	10-15-31	12-19-37	-		
NC			<10	12	27	39	44	48	-	-	
	5' Length 8" Inlet	Horizontal	CFM	50	75	125	200	300	375	450	-
			Ps	.006	.014	.039	.100	.226	.353	.508	-
			Pt	.08	.017	.048	.124	.278	.434	.626	-
		Throw	2-4-7	4-6-11	6-9-14	10-13-18	13-16-22	14-18-25	16-19-27	-	
		NC	<10	<10	17	28	37	42	45	-	
Vertical		Ps	.007	.017	.046	.118	.266	.416	.599	-	
	Pt	.009	.020	.055	.142	.319	.498	.717	-		
	Throw	2-3-5	3-4-8	4-7-13	7-11-22	11-16-32	13-20-40	16-24-48	-		
NC			<10	<10	14	29	41	46	50	-	

**PLENUM SLOT
DIFFUSERS**
**PLENUM DIFFUSERS WITH
ADJUSTABLE PATTERN
CONTROLLERS**
XG-PHPS

SERIES XG-PHP PERFORMANCE DATA
MODEL XG-PHPS/XG-PHPSI ONE SLOT

		CFM/LF	10	15	25	40	60	75	90	120	160	
1" Slot Width	2' Length 8" Inlet	Horizontal	CFM	20	30	50	80	120	150	180	240	320
			Ps	.005	.010	.028	.073	.163	.255	.368	.654	1.162
			Pt	.005	.011	.030	.076	.172	.268	.387	.687	1.222
			Throw	3-4-6	4-5-7	5-6-9	6-8-11	8-10-14	9-11-15	10-12-17	11-14-19	13-16-23
		NC	<10	<10	10	23	32	36	39	44	53	
		Vertical	Ps	.007	.016	.044	.113	.254	.396	.571	1.015	1.804
			Pt	.007	.016	.046	.116	.262	.410	.590	1.048	1.864
			Throw	0-1-1	1-1-2	1-2-4	2-3-6	3-4-9	4-5-11	4-7-13	6-9-18	8-12-23
	NC		<10	<10	<10	22	35	40	43	47	55	
	4' Length 8" Inlet	Horizontal	CFM	40	60	100	160	240	300	360	480	-
			Ps	.004	.010	.028	.071	.160	.250	.361	.641	-
			Pt	.005	.012	.034	.086	.194	.303	.436	.775	-
			Throw	1-2-4	2-3-7	4-5-11	6-9-16	9-13-19	11-15-22	13-17-24	16-19-28	-
		NC	<10	<10	13	26	35	39	42	47	-	
		Vertical	Ps	.007	.016	.043	.111	.249	.389	.560	.995	-
			Pt	.008	.018	.049	.125	.282	.441	.635	1.129	-
			Throw	1-2-3	2-2-5	3-4-8	4-6-13	6-10-19	8-12-24	10-14-29	13-19-38	-
	NC		<10	<10	<10	25	38	43	46	50	-	
	5' Length 10" Inlet	Horizontal	CFM	50	75	125	200	300	375	450	600	-
			Ps	.004	.010	.027	.070	.157	.245	.353	.628	-
			Pt	.005	.011	.032	.082	.184	.287	.413	.735	-
			Throw	5-6-9	6-8-11	8-10-14	10-13-18	13-15-22	14-17-24	15-19-27	18-22-31	-
		NC	<10	<10	15	28	37	41	44	49	-	
		Vertical	Ps	.007	.015	.042	.108	.244	.381	.549	.975	-
Pt			.008	.017	.047	.120	.271	.423	.609	1.082	-	
Throw			1-2-4	2-3-7	4-5-11	6-9-18	9-13-26	11-16-33	13-20-39	18-26-53	-	
NC	<10		<10	11	27	40	45	48	52	-		
1 1/2" Slot Width	2' Length 8" Inlet	Horizontal	CFM	20	30	50	80	120	150	180	240	320
			Ps	.004	.010	.027	.069	.155	.242	.349	.620	1.102
			Pt	.005	.010	.028	.073	.163	.255	.368	.654	1.162
			Throw	1-2-3	2-2-5	3-4-8	4-6-11	6-9-13	8-10-15	9-11-16	11-13-18	12-15-21
		NC	<10	<10	<10	13	22	29	34	42	50	
		Vertical	Ps	.003	.007	.020	.052	.117	.183	.263	.468	.831
			Pt	.003	.008	.022	.056	.125	.196	.282	.501	.891
			Throw	0-1-1	1-1-2	1-1-3	1-2-4	2-3-7	3-4-8	3-5-10	4-7-13	6-9-17
	NC		<10	<10	<10	<10	19	25	30	37	45	
	4' Length 8" Inlet	Horizontal	CFM	40	60	100	160	240	300	360	480	640
			Ps	.004	.009	.026	.068	.152	.237	.342	.608	1.081
			Pt	.005	.012	.032	.082	.186	.290	.417	.742	1.319
			Throw	2-2-5	2-3-7	4-6-12	6-9-15	9-13-18	12-15-21	13-16-23	15-18-26	17-21-30
		NC	<10	<10	<10	16	25	32	37	45	53	
		Vertical	Ps	.003	.007	.020	.051	.115	.179	.258	.458	.815
			Pt	.004	.009	.026	.066	.148	.231	.333	.593	1.054
			Throw	1-1-2	1-2-4	2-3-6	3-5-10	5-7-14	6-9-18	7-11-21	10-14-29	13-19-38
	NC		<10	<10	<10	12	22	28	33	40	48	
	5' Length 10" Inlet	Horizontal	CFM	50	75	125	200	300	375	450	600	800
			Ps	.004	.009	.026	.066	.149	.233	.335	.596	1.059
			Pt	.005	.011	.031	.078	.176	.275	.395	.703	1.249
			Throw	3-4-8	4-6-10	7-9-13	10-12-17	12-15-21	13-16-23	15-18-25	17-21-29	19-24-34
		NC	<10	<10	<10	18	27	34	39	47	55	
		Vertical	Ps	.003	.007	.020	.050	.112	.176	.253	.449	.799
Pt			.004	.009	.024	.062	.139	.217	.313	.556	.989	
Throw			1-2-3	2-2-5	3-4-8	4-7-13	7-10-20	8-12-25	10-15-30	13-20-40	18-27-53	
NC	<10		<10	<10	14	24	30	35	42	50		

PLENUM SLOT
DIFFUSERS

PLENUM DIFFUSERS WITH
ADJUSTABLE PATTERN
CONTROLLERS

XG-PHPS

SERIES XG-PHP PERFORMANCE DATA
MODEL XG-PHPS/XG-PHPSI TWO SLOT

		CFM/LF	10	15	25	40	60	75	90	120	160	
1/2" Slot Width	2' Length 8" Inlet	Horizontal	CFM	20	30	50	80	120	150	180	240	320
			Ps	.005	.012	.032	.083	.186	.291	.419	.745	1.324
			Pt	.005	.012	.034	.086	.195	.304	.438	.778	1.383
			Throw	1-2-3	2-2-5	3-4-8	4-6-12	6-9-17	8-12-19	9-14-21	13-17-24	16-20-28
		NC	<10.	<10.	<10.	15	26	32	37	43	51	
		Vertical	Ps	.005	.011	.029	.075	.169	.264	.380	.675	1.200
			Pt	.005	.011	.031	.079	.177	.277	.398	.708	1.259
			Throw	0-0-2	0-1-3	1-2-6	3-5-9	5-7-14	6-9-17	7-10-21	9-14-28	12-19-37
	NC		<10.	<10.	<10.	14	26	33	37	44	51	
	4' Length 8" Inlet	Horizontal	CFM	40	60	10	160	240	300	360	480	640
			Ps	.005	.011	.032	.081	.183	.285	.411	.730	1.298
			Pt	.006	.014	.038	.096	.216	.338	.486	.864	1.536
			Throw	1-2-4	2-3-7	4-5-11	6-9-18	9-13-24	11-16-27	13-20-30	18-24-34	23-28-39
		NC	<10.	<10.	<10.	18	29	35	40	46	54	
		Vertical	Ps	.005	.010	.029	.074	.165	.258	.372	.662	1.176
			Pt	.006	.012	.035	.088	.199	.311	.446	.796	1.415
			Throw	0-1-2	1-1-5	2-3-8	4-7-13	7-10-20	8-12-24	10-15-29	13-20-39	17-26-52
	NC		<10.	<10.	<10.	17	29	36	40	47	54	
5' Length 10" Inlet	Horizontal	CFM	50	75	125	200	300	375	450	600	800	
		Ps	.005	.011	.031	.079	.179	.279	.402	.715	1.272	
		Pt	.006	.013	.036	.091	.206	.321	.463	.822	1.462	
		Throw	2-3-6	3-4-8	4-6-13	7-10-21	10-16-27	13-19-30	16-23-33	21-27-38	25-31-44	
	NC	<10.	<10.	<10.	20	31	37	42	48	56		
	Vertical	Ps	.005	.010	.028	.072	.162	.253	.365	.648	1.153	
		Pt	.005	.012	.033	.084	.189	.295	.425	.755	1.343	
		Throw	0-1-3	1-2-6	2-5-10	5-8-16	8-12-24	10-15-31	12-18-37	16-24-49	22-33-65	
NC		<10.	<10.	<10.	19	31	38	42	49	56		
3/4" Slot Width	2' Length 8" Inlet	Horizontal	CFM	20	30	50	80	120	150	180	240	320
			Ps	.004	.008	.023	.059	.133	.208	.299	.532	.946
			Pt	.004	.009	.025	.063	.141	.221	.318	.565	1.005
			Throw	1-2-3	2-2-5	3-4-8	4-6-12	6-9-17	8-11-19	9-14-21	12-17-24	16-20-28
		NC	<10.	<10.	<10.	<10.	20	26	31	38	44	
		Vertical	Ps	.003	.008	.021	.054	.122	.191	.275	.490	.871
			Pt	.004	.008	.023	.058	.131	.204	.294	.523	.930
			Throw	0-0-2	0-1-3	1-2-6	3-5-9	5-7-14	6-9-17	7-10-21	9-14-27	12-18-37
	NC		<10.	<10.	<10.	<10.	17	26	31	37	42	
	4' Length 8" Inlet	Horizontal	CFM	40	60	100	160	240	300	360	480	640
			Ps	.004	.008	.023	.058	.130	.204	.293	.521	.927
			Pt	.005	.010	.028	.073	.164	.256	.369	.656	1.165
			Throw	2-3-5	3-4-8	4-7-13	7-11-20	11-16-24	13-19-27	16-21-30	20-24-34	23-28-39
		NC	<10.	<10.	<10.	14	23	29	34	41	47	
		Vertical	Ps	.003	.008	.021	.053	.120	.188	.270	.480	.854
			Pt	.004	.010	.027	.068	.154	.240	.346	.614	1.092
			Throw	0-1-2	1-1-5	1-3-8	4-6-13	6-10-19	8-12-24	10-14-29	13-19-38	17-25-51
	NC		<10.	<10.	<10.	<10.	20	29	34	40	45	
5' Length 10" Inlet	Horizontal	CFM	50	75	125	200	300	375	450	600	800	
		Ps	.003	.008	.022	.056	.125	.196	.282	.501	.890	
		Pt	.004	.009	.026	.067	.152	.237	.342	.607	1.080	
		Throw	2-3-5	3-4-8	4-6-13	7-10-21	10-15-27	13-19-30	15-21-33	21-27-38	25-31-44	
	NC	<10.	<10.	<10.	16	25	31	36	43	49		
	Vertical	Ps	.003	.007	.020	.051	.115	.180	.259	.461	.819	
		Pt	.004	.009	.025	.063	.142	.222	.319	.568	1.009	
		Throw	0-1-3	1-2-6	2-5-10	5-8-15	8-12-23	10-15-29	12-17-35	15-23-46	21-31-62	
NC		<10.	<10.	<10.	<10.	22	31	36	42	47		

SERIES XG-PHP PERFORMANCE DATA
MODEL XG-PHPS/XG-PHPSI TWO SLOT

		CFM/LF	10	15	25	40	60	75	90	120	160	
1" Slot Width	2' Length 8" Inlet	Horizontal	CFM	20	30	50	80	120	150	180	240	320
			Ps	.002	.005	.014	.035	.080	.124	.179	.318	.566
			Pt	.002	.005	.015	.039	.088	.137	.198	.352	.626
			Throw	1-1-3	1-2-4	2-4-7	4-6-12	6-9-17	7-11-19	9-13-21	12-17-24	15-20-28
		NC	<10	<10	<10	<10	17	24	29	35	40	
		Vertical	Ps	.002	.005	.013	.034	.077	.120	.172	.306	.545
			Pt	.002	.005	.015	.038	.085	.133	.191	.340	.604
			Throw	0-0-1	0-0-2	0-1-4	1-3-6	3-5-9	4-6-12	5-7-14	6-9-19	8-12-25
	NC		<10	<10	<10	<10	16	24	30	37	42	
	4' Length 8" Inlet	Horizontal	CFM	40	60	100	160	240	300	360	480	640
			Ps	.002	.005	.014	.035	.078	.122	.176	.312	.555
			Pt	.003	.007	.019	.050	.112	.174	.251	.446	.793
			Throw	1-2-4	2-3-6	4-5-11	6-9-17	9-13-24	11-16-27	13-19-30	17-24-34	23-28-39
		NC	<10	<10	<10	<10	20	27	32	38	43	
		Vertical	Ps	.002	.005	.013	.033	.075	.117	.169	.300	.534
			Pt	.003	.007	.019	.048	.109	.170	.244	.435	.772
			Throw	0-0-1	0-1-2	1-2-5	2-4-9	4-7-13	5-8-16	7-10-20	9-13-26	12-18-35
	NC		<10	<10	<10	<10	19	27	33	40	45	
	5' Length 10" Inlet	Horizontal	CFM	50	75	125	200	300	375	450	600	800
			Ps	.002	.005	.013	.034	.076	.118	.170	.300	.538
			Pt	.003	.006	.018	.046	.102	.160	.230	.410	.728
			Throw	2-2-5	2-4-7	4-6-12	7-10-20	10-15-27	12-18-30	15-22-33	20-27-38	25-31-44
		NC	<10	<10	<10	11	22	29	34	40	45	
		Vertical	Ps	.002	.005	.013	.032	.073	.114	.164	.291	.518
Pt			.003	.006	.017	.044	.100	.156	.224	.398	.708	
Throw			0-0-1	0-1-3	1-2-7	3-5-11	5-8-16	7-10-20	8-12-24	11-16-32	14-21-43	
NC	<10		<10	<10	<10	21	29	35	42	47		
1 1/2" Slot Width	2' Length 8" Inlet	Horizontal	CFM	20	30	50	80	120	150	180	240	320
			Ps	.001	.002	.007	.018	.040	.062	.089	.159	.282
			Pt	.001	.003	.008	.021	.048	.075	.108	.192	.342
			Throw	1-1-3	1-2-4	2-3-7	4-5-11	5-8-16	7-10-19	8-12-21	11-16-24	14-20-28
		NC	<10	<10	<10	<10	12	17	21	29	37	
		Vertical	Ps	.001	.002	.006	.014	.033	.051	.073	.130	.232
			Pt	.001	.003	.007	.018	.041	.064	.092	.164	.291
			Throw	0-0-0	0-0-1	0-0-2	1-1-4	1-3-7	2-4-8	3-5-10	4-7-13	6-9-18
	NC		<10	<10	<10	<10	<10	10	15	23	30	
	4' Length 10" Inlet	Horizontal	CFM	40	60	100	160	240	300	360	480	640
			Ps	.001	.002	.007	.017	.039	.060	.087	.154	.274
			Pt	.002	.003	.010	.025	.056	.087	.125	.223	.396
			Throw	2-2-5	2-3-7	4-6-12	6-9-19	9-14-24	12-17-27	14-21-30	19-24-34	23-28-39
		NC	<10	<10	<10	<10	15	20	24	32	40	
		Vertical	Ps	.001	.002	.005	.014	.032	.049	.071	.127	.225
			Pt	.001	.003	.008	.022	.049	.076	.110	.195	.347
			Throw	0-0-0	0-0-1	0-1-2	1-1-6	1-3-9	2-5-11	3-7-14	6-9-18	8-12-20
	NC		<10	<10	<10	<10	<10	13	18	26	33	
	5' Length 12" Inlet	Horizontal	CFM	50	75	125	200	300	375	450	600	800
			Ps	.001	.002	.006	.016	.037	.058	.083	.148	.263
			Pt	.001	.003	.009	.024	.053	.083	.120	.213	.378
			Throw	2-2-5	2-4-7	4-6-12	6-9-10	9-14-27	12-18-30	14-21-33	19-27-38	25-31-44
		NC	<10	<10	<10	11	17	22	26	34	42	
		Vertical	Ps	.001	.002	.005	.014	.030	.047	.068	.122	.216
Pt			.001	.003	.008	.021	.047	.073	.105	.186	.331	
Throw			0-0-1	0-0-1	0-1-4	1-2-8	2-6-12	4-7-15	6-9-18	8-12-23	10-16-31	
NC	<10		<10	<10	<10	11	15	20	28	35		

PLENUM SLOT
DIFFUSERS

PLENUM DIFFUSERS WITH
ADJUSTABLE PATTERN
CONTROLLERS

XG-PHPS

SERIES XG-PHP PERFORMANCE DATA
MODEL XG-PHPS/XG-PHPSI THREE SLOT

		CFM/LF	10	15	25	40	60	75	90	120	250	
1/2" Slot Width	2' Length 8" Inlet	Horizontal	CFM	50	80	120	160	200	240	320	400	500
			Ps	.012	.030	.068	.121	.188	.271	.483	.754	1.178
			Pt	.013	.034	.076	.136	.212	.305	.542	.847	1.324
		Throw	4-6-12	6-9-15	9-13-19	12-15-21	14-17-24	15-19-26	18-21-30	20-24-34	22-27-38	
		NC	<10	<10	16	23	29	34	41	48	55	
		NC	<10	<10	11	20	26	31	36	40	46	
	Vertical	Ps	.009	.023	.052	.092	.144	.207	.368	.576	.900	
		Pt	.010	.027	.060	.107	.167	.241	.428	.669	1.045	
		Throw	0-1-3	1-2-7	2-4-11	3-7-15	5-9-18	7-11-21	10-15-25	12-18-27	15-22-31	
		NC	<10	<10	11	20	26	31	36	40	46	
		CFM	100	160	240	320	400	480	640	800	1000	
		Ps	.012	.030	.067	.118	.185	.266	.473	.739	1.155	
	4' Length 8" Inlet	Horizontal	Pt	.017	.044	.100	.178	.278	.400	.712	1.112	1.737
			Throw	4-6-12	6-9-19	9-14-26	13-19-30	16-24-34	19-26-37	25-30-43	28-34-48	31-38-54
			NC	<10	11	19	26	32	37	44	51	58
		Vertical	Ps	.009	.023	.051	.090	.141	.203	.361	.564	.882
			Pt	.015	.037	.084	.150	.234	.337	.600	.937	1.464
			Throw	0-1-4	1-3-10	3-6-15	4-10-21	7-13-26	10-15-30	14-21-35	17-26-39	21-31-43
NC	<10	<10	14	23	29	34	39	43	49			
5' Length 10" Inlet	Horizontal	CFM	125	200	300	400	500	600	800	1000	1250	
		Ps	.011	.029	.065	.116	.181	.261	.464	.724	1.132	
		Pt	.016	.041	.092	.163	.255	.368	.654	1.021	1.596	
	Throw	4-6-13	7-10-20	10-15-29	13-20-34	17-25-38	20-29-42	27-34-48	31-38-54	35-42-60		
	NC	<10	13	21	28	34	39	46	53	60		
	NC	<10	<10	16	25	31	36	41	45	51		
Vertical	Ps	.009	.022	.050	.089	.138	.199	.354	.553	.864		
	Pt	.013	.034	.077	.136	.213	.306	.544	.850	1.328		
	Throw	1-1-5	1-3-12	3-7-18	6-12-24	9-15-30	12-18-34	16-24-39	21-31-43	25-34-49		
	NC	<10	<10	16	25	31	36	41	45	51		
	CFM	50	80	120	160	200	240	320	400	500		
	Ps	.008	.022	.049	.087	.135	.195	.346	.541	.845		
2' Length 8" Inlet	Horizontal	Pt	.010	.025	.057	.101	.159	.228	.406	.634	.991	
		Throw	3-5-9	5-8-15	8-11-19	10-15-21	13-17-24	15-19-26	18-21-30	20-24-34	22-27-38	
		NC	<10	<10	<10	18	23	27	34	40	45	
	Vertical	Ps	.006	.016	.037	.066	.103	.148	.263	.411	.643	
		Pt	.008	.020	.045	.081	.126	.182	.323	.504	.788	
		Throw	0-0-2	1-1-5	1-3-9	2-5-13	3-7-16	5-9-19	8-13-25	10-16-27	13-20-31	
NC	<10	<10	<10	18	26	33	41	47	53			
3/4" Slot Width	4' Length 10" Inlet	CFM	100	160	240	320	400	480	640	800	1000	
		Ps	.008	.021	.048	.085	.133	.191	.339	.530	.829	
		Pt	.011	.029	.065	.115	.180	.259	.461	.720	1.126	
	Throw	5-7-15	8-12-21	12-18-26	16-21-30	10-24-34	21-26-37	25-30-43	28-34-48	31-38-54		
	NC	<10	<10	15	21	26	30	37	43	48		
	NC	<10	<10	11	21	29	36	44	50	56		
Vertical	Ps	.009	.024	.053	.095	.148	.214	.380	.593	.927		
	Throw	1-2-7	2-5-13	5-10-19	8-13-25	11-16-27	13-19-30	17-25-35	21-27-39	25-31-43		
	NC	<10	<10	11	21	29	36	44	50	56		
	CFM	125	200	300	400	500	600	800	1000	1250		
	Ps	.008	.021	.047	.083	.130	.187	.333	.520	.812		
	Pt	.013	.033	.074	.131	.204	.294	.523	.817	1.276		
5' Length 10" Inlet	Horizontal	Throw	6-8-17	9-13-24	13-20-29	18-24-34	22-27-38	24-29-42	28-34-48	31-38-54	35-42-60	
		NC	<10	10	17	23	28	32	39	45	50	
		NC	<10	<10	13	23	31	38	46	52	58	
	Vertical	Ps	.006	.016	.036	.063	.099	.142	.253	.395	.617	
		Pt	.011	.028	.062	.111	.173	.249	.443	.692	1.081	
		Throw	1-3-10	3-7-16	7-12-23	10-16-27	13-19-31	16-23-34	21-27-39	25-31-43	28-34-49	
NC	<10	<10	13	23	31	38	46	52	58			

PLENUM SLOT
DIFFUSERS

PLENUM DIFFUSERS WITH
ADJUSTABLE PATTERN
CONTROLLERS

XG-PHPS

SERIES XG-PHP PERFORMANCE DATA
MODEL XG-PHPS/XG-PHPSI THREE SLOT

		CFM/LF	10	15	25	40	60	75	90	120	250	
1" Slot Width	2' Length 10" Inlet	Horizontal	CFM	50	80	120	160	200	240	320	400	500
			Ps	.005	.013	.029	.052	.081	.117	.208	.325	.507
			Pt	.006	.015	.033	.060	.093	.134	.238	.372	.581
			Throw	3-4-8	4-7-13	7-10-19	9-13-21	11-16-24	13-19-26	17-21-30	20-24-34	22-27-38
		NC	<10	<10	<10	17	25	31	39	46	54	
		Vertical	Ps	.004	.010	.022	.039	.062	.089	.158	.247	.386
			Pt	.005	.012	.026	.047	.074	.106	.188	.294	.460
			Throw	0-0-2	0-1-4	1-2-7	2-4-9	3-6-11	4-7-14	6-9-18	8-11-23	10-14-29
	NC		<10	<10	<10	14	21	27	35	41	45	
	4' Length 10" Inlet	Horizontal	CFM	100	160	240	320	400	480	640	800	1000
			Ps	.005	.013	.029	.051	.080	.115	.204	.318	.497
			Pt	.008	.020	.046	.081	.127	.183	.325	.508	.794
			Throw	3-5-10	5-8-16	8-12-24	11-16-30	13-20-34	16-24-37	21-30-43	27-34-48	31-38-54
		NC	<10	<10	11	20	28	34	42	49	57	
		Vertical	Ps	.004	.010	.022	.039	.060	.087	.155	.242	.378
			Pt	.007	.017	.039	.069	.108	.156	.276	.432	.675
			Throw	0-1-3	1-2-7	2-4-11	3-7-14	5-9-18	7-11-21	9-14-28	12-18-36	15-22-43
	NC		<10	<10	<10	17	24	30	38	44	48	
	5' Length 12" Inlet	Horizontal	CFM	125	200	300	400	500	600	800	1000	1250
			Ps	.005	.012	.028	.050	.078	.112	.200	.312	.487
			Pt	.008	.020	.044	.079	.123	.177	.315	.492	.768
			Throw	4-6-11	6-9-18	9-13-26	12-18-34	15-22-38	18-26-42	24-34-48	29-38-54	35-42-60
		NC	<10	<10	13	22	30	36	44	51	59	
		Vertical	Ps	.004	.009	.021	.038	.059	.085	.152	.237	.370
Pt			.007	.017	.038	.067	.104	.150	.267	.417	.651	
Throw			1-1-5	1-3-9	3-7-14	6-9-19	8-12-24	9-14-28	13-19-38	16-24-43	20-29-49	
NC	<10		<10	12	19	26	32	40	46	50		
1 1/2" Slot Width	2' Length 10" Inlet	Horizontal	CFM	50	80	120	160	200	240	320	400	500
			Ps	.003	.006	.015	.026	.041	.058	.104	.162	.254
			Pt	.003	.008	.019	.034	.052	.076	.134	.210	.328
			Throw	2-3-6	3-5-10	5-7-15	7-10-20	8-12-24	10-15-26	13-20-30	16-24-34	21-27-38
		NC	<10	<10	<10	11	15	19	27	33	40	
		Vertical	Ps	.002	.005	.011	.020	.031	.044	.079	.123	.193
			Pt	.003	.007	.015	.027	.043	.062	.109	.171	.267
			Throw	0-0-1	0-1-3	1-2-4	1-3-6	2-4-7	3-4-9	4-6-12	5-7-15	6-9-10
	NC		<10	<10	<10	<10	<10	<10	16	20	24	
	4' Length 12" Inlet	Horizontal	CFM	100	160	240	320	400	480	640	800	1000
			Ps	.002	.006	.014	.025	.040	.057	.102	.159	.249
			Pt	.004	.011	.025	.044	.069	.099	.175	.274	.428
			Throw	2-3-7	4-5-11	5-8-16	7-11-22	9-14-27	11-16-32	14-22-43	18-27-48	23-34-50
		NC	<10	<10	<10	14	18	22	30	36	43	
		Vertical	Ps	.002	.005	.011	.019	.030	.044	.077	.121	.189
			Pt	.004	.009	.021	.038	.059	.085	.151	.236	.369
			Throw	0-0-2	1-1-4	1-3-6	2-4-9	3-5-11	4-6-13	6-9-17	7-11-22	9-14-27
	NC		<10	<10	<10	<10	<10	13	19	23	27	
	5' Length 12" Inlet	Horizontal	CFM	125	200	300	400	500	600	800	1000	1250
			Ps	.002	.006	.014	.025	.039	.056	.100	.156	.244
			Pt	.005	.013	.030	.054	.084	.121	.215	.336	.524
			Throw	3-4-9	5-7-14	7-11-22	10-14-29	12-18-36	14-22-42	19-29-48	24-36-54	30-42-60
		NC	<10	<10	12	16	20	24	32	38	45	
		Vertical	Ps	.002	.005	.011	.019	.030	.043	.076	.119	.185
Pt			.005	.012	.027	.048	.075	.107	.191	.298	.466	
Throw			0-1-3	1-2-6	2-4-9	4-6-11	5-7-14	6-9-17	8-11-23	9-14-28	12-18-35	
NC	<10		<10	<10	<10	11	15	21	25	29		

PLENUM SLOT
DIFFUSERS

PLENUM DIFFUSERS WITH
ADJUSTABLE PATTERN
CONTROLLERS

XG-PHPS

SERIES XG-PHP PERFORMANCE DATA
MODEL XG-PHPS/XG-PHPSI FOUR SLOT

		CFM/LF	10	15	25	40	60	75	90	120	300	
1/2" Slot Width	2' Length 8" Inlet	Horizontal	CFM	100	150	160	200	300	350	400	500	-
			Ps	.033	.074	.084	.131	.295	.401	.524	.819	-
			Pt	.039	.087	.099	.154	.347	.473	.617	.965	-
		Vertical	Throw	9-12-16	12-14-20	12-15-21	13-16-23	16-20-28	18-22-30	19-23-33	21-26-36	-
			NC	<10	15	17	23	35	39	42	48	-
			Ps	.029	.066	.075	.117	.262	.357	.466	.729	-
	4' Length 10" Inlet	Horizontal	Pt	.035	.079	.090	.140	.315	.428	.559	.874	-
			Throw	1-2-8	2-5-12	2-5-12	4-8-16	8-12-20	9-14-21	10-16-23	13-18-25	-
			NC	<10	12	13	20	32	36	39	44	-
		Vertical	CFM	200	300	320	400	600	700	800	1000	-
			Ps	.032	.072	.082	.129	.289	.394	.514	.803	-
			Pt	.044	.099	.113	.176	.396	.539	.704	1.100	-
	5' Length 10" Inlet	Horizontal	Throw	12-16-23	16-20-28	17-21-29	19-23-33	23-28-40	25-30-43	27-33-46	30-36-51	-
			NC	<10	18	20	26	38	42	45	51	-
			Ps	.029	.064	.073	.114	.257	.350	.457	.714	-
		Vertical	Pt	.040	.091	.104	.162	.364	.496	.647	1.011	-
			Throw	1-3-11	3-7-16	3-8-17	5-11-22	11-16-28	13-19-30	15-22-32	18-25-36	-
			NC	<10	15	16	23	35	39	42	47	-
1/2" Slot Width	Horizontal	CFM	250	375	400	500	750	875	1000	1250	-	
		Ps	.031	.071	.081	.126	.283	.386	.504	.787	-	
		Pt	.050	.113	.128	.200	.450	.613	.801	1.251	-	
	Vertical	Throw	13-18-26	18-22-31	19-23-33	21-26-36	26-31-45	28-34-48	30-36-51	33-41-58	-	
		NC	11	20	22	28	40	44	47	53	-	
		Ps	.028	.063	.072	.112	.252	.343	.448	.700	-	
3/4" Slot Width	Horizontal	Pt	.047	.105	.119	.186	.419	.570	.745	1.164	-	
		Throw	2-4-13	4-9-19	4-10-21	7-13-25	13-19-31	15-22-33	17-25-36	21-28-40	-	
		NC	12	17	18	25	37	41	44	49	-	
	2' Length 8" Inlet	Horizontal	CFM	100	150	160	200	300	350	400	500	600
			Ps	.025	.057	.065	.101	.228	.311	.406	.634	.913
			Pt	.031	.070	.080	.125	.281	.382	.499	.780	1.123
Vertical		Throw	9-12-16	12-14-20	12-15-21	13-16-23	16-20-28	18-22-30	19-23-33	21-26-36	23-28-40	
		NC	<10	<10	<10	18	29	33	36	42	46	
		Ps	.025	.057	.065	.101	.227	.310	.404	.63	.910	
4' Length 10" Inlet	Horizontal	Pt	.031	.070	.080	.124	.280	.381	.498	.777	1.119	
		Throw	1-1-5	1-3-10	2-3-11	2-5-13	5-10-20	7-12-21	9-13-23	11-17-25	13-20-28	
		NC	<10	<10	<10	16	29	33	37	41	44	
	Vertical	CFM	200	300	320	400	600	700	800	1000	1200	
		Ps	.025	.056	.064	.099	.224	.305	.398	.622	.895	
		Pt	.037	.083	.094	.147	.331	.450	.588	.919	1.323	
5' Length 10" Inlet	Horizontal	Throw	6-12-23	12-19-28	13-20-29	17-23-33	23-28-40	25-30-43	27-33-46	30-36-51	33-40-56	
		NC	<10	14	15	21	32	36	39	45	49	
		Ps	.025	.056	.063	.099	.223	.304	.396	.620	.892	
	Vertical	Pt	.037	.082	.094	.147	.330	.449	.587	.917	1.320	
		Throw	2-5-13	5-10-20	6-11-20	9-13-23	13-20-28	16-21-30	18-23-32	21-25-36	23-28-39	
		NC	<10	10	12	19	32	36	40	44	47	
3/4" Slot Width	Horizontal	CFM	250	375	400	500	750	875	1000	1250	1500	
		Ps	.024	.055	.062	.097	.219	.299	.390	.609	.877	
		Pt	.043	.097	.110	.172	.386	.526	.687	1.073	1.546	
	Vertical	Throw	15-18-26	18-22-31	19-23-33	21-26-36	26-31-45	28-34-48	30-36-51	33-41-58	36-45-63	
		NC	<10	16	17	23	34	38	41	47	51	
		Ps	.024	.055	.062	.097	.219	.297	.389	.607	.874	
5' Length 10" Inlet	Horizontal	Pt	.043	.096	.110	.171	.386	.525	.686	1.071	1.543	
		Throw	4-8-16	8-12-22	9-13-23	11-16-25	16-22-31	19-24-33	21-25-36	23-28-40	25-31-44	
		NC	<10	12	14	21	34	38	42	46	49	

SERIES XG-PHP PERFORMANCE DATA
MODEL XG-PHPS/XG-PHPSI FOUR SLOT

		CFM/LF	10	15	25	40	60	75	90	120	300	
1" Slot Width	2' Length 10" Inlet	Horizontal	CFM	100	150	160	200	300	350	400	500	600
			Ps	.017	.039	.045	.070	.157	.213	.279	.435	.627
			Pt	.020	.046	.052	.082	.183	.250	.326	.510	.734
			Throw	8-12-16	12-14-20	12-15-21	13-16-23	16-20-28	18-22-30	19-23-33	21-26-36	23-28-40
		NC	<10	<10	<10	16	29	33	36	41	44	
		Vertical	Ps	.017	.037	.042	.066	.149	.203	.265	.414	.596
			Pt	.020	.044	.050	.078	.176	.239	.312	.488	.703
			Throw	1-2-6	2-3-9	2-4-9	3-6-11	6-9-17	7-10-20	8-11-23	10-14-25	11-17-28
	NC		<10	<10	<10	13	26	31	34	39	43	
	4' Length 10" Inlet	Horizontal	CFM	200	300	320	400	600	700	800	1000	1200
			Ps	.017	.038	.044	.068	.154	.209	.273	.427	.615
			Pt	.029	.065	.074	.116	.261	.355	.463	.724	1.042
			Throw	11-16-23	16-20-28	17-21-29	19-23-33	23-28-40	25-30-43	27-33-46	30-36-51	33-40-56
		NC	<10	11	13	19	32	36	39	44	47	
		Vertical	Ps	.016	.037	.042	.065	.148	.199	.260	.406	.584
			Pt	.028	.063	.072	.112	.253	.344	.450	.703	1.012
			Throw	1-3-9	3-6-13	3-7-14	5-9-18	9-13-27	10-16-30	12-18-32	15-22-36	18-27-39
	NC		<10	<10	<10	16	29	34	37	42	46	
	5' Length 12" Inlet	Horizontal	CFM	250	375	400	500	750	875	1000	1250	1500
			Ps	.017	.038	.043	.067	.151	.205	.268	.418	.602
			Pt	.028	.063	.072	.112	.252	.343	.447	.699	1.007
			Throw	11-17-36	17-22-31	18-23-33	21-26-36	26-31-45	28-34-48	30-36-51	33-41-58	36-45-63
		NC	<10	13	15	21	34	38	41	46	49	
		Vertical	Ps	.016	.036	.041	.064	.143	.195	.254	.398	.572
Pt			.027	.061	.069	.109	.244	.332	.434	.678	.977	
Throw			2-5-12	5-9-18	6-9-19	8-12-24	12-18-31	14-21-33	16-24-36	20-28-40	24-31-44	
NC	<10		10	12	18	31	36	39	44	46		
1 1/2" Slot Width	2' Length 10" Inlet	Horizontal	CFM	100	150	160	200	300	350	400	500	600
			Ps	.016	.037	.042	.066	.148	.202	.264	.414	.593
			Pt	.019	.044	.050	.078	.175	.238	.311	.486	.700
			Throw	6-10-16	10-14-20	10-15-21	13-16-23	16-20-28	18-22-30	19-23-33	21-26-36	23-28-40
		NC	<10	<10	<10	10	19	23	27	33	38	
		Vertical	Ps	.012	.028	.032	.050	.112	.152	.198	.310	.446
			Pt	.015	.035	.039	.061	.138	.188	.246	.384	.553
			Throw	1-1-3	1-2-4	1-2-5	2-3-6	3-4-9	3-5-10	4-6-12	5-7-15	6-9-18
	NC		<10	<10	<10	<10	12	17	21	27	31	
	4' Length 12" Inlet	Horizontal	CFM	200	300	320	400	600	700	800	1000	1200
			Ps	.016	.036	.041	.065	.145	.198	.258	.404	.581
			Pt	.023	.053	.060	.093	.210	.286	.373	.583	.840
			Throw	4-8-21	8-16-28	10-17-29	14-21-33	21-28-40	25-30-43	27-33-46	30-36-51	33-40-56
		NC	<10	<10	<10	13	22	26	30	36	41	
		Vertical	Ps	.012	.027	.031	.049	.109	.149	.194	.304	.437
			Pt	.019	.044	.050	.077	.174	.237	.309	.483	.696
			Throw	1-2-4	2-3-6	2-3-7	3-4-9	4-6-13	5-8-15	6-9-17	7-11-22	9-13-26
	NC		<10	<10	<10	<10	15	20	24	30	34	
	5' Length 12" Inlet	Horizontal	CFM	250	375	400	500	750	875	1000	1250	1500
			Ps	.016	.036	.041	.063	.142	.194	.253	.396	.570
			Pt	.027	.061	.069	.108	.244	.331	.433	.676	.974
			Throw	7-14-26	14-21-31	15-22-33	19-26-36	26-31-45	28-34-48	30-36-51	33-41-58	36-45-63
		NC	<10	11	12	15	24	28	32	38	43	
		Vertical	Ps	.012	.027	.030	.048	.107	.146	.191	.298	.429
Pt			.023	.052	.059	.093	.208	.283	.370	.578	.833	
Throw			1-3-6	3-4-9	3-5-9	4-6-11	6-9-17	7-10-20	8-11-23	9-14-28	11-17-34	
NC	<10		<10	<10	<10	17	22	26	32	36		

PLENUM SLOT
DIFFUSERS

PLENUM DIFFUSERS WITH
ADJUSTABLE PATTERN
CONTROLLERS

XG-PHPS

SERIES XG-PHP PERFORMANCE DATA
MODEL XG-PHPR/PHNR

		CFM/LF	10	15	20	25	30	35	40	45	50	
		Negative Ps	0.016	0.032	0.052	0.076	0.103	0.134	0.168	0.206	0.246	
1/2" Slot Width	2' Length	1 Slot	Airflow	20	30	40	50	60	70	80	90	100
			NC	<15	<15	<15	<15	16	20	24	28	32
		2 Slot	Airflow	40	60	80	100	120	140	160	180	200
			NC	<15	<15	<15	15	19	23	27	31	35
	3 Slot	Airflow	60	90	120	150	180	210	240	270	300	
		NC	<15	<15	<15	16	21	25	29	33	36	
	4 Slot	Airflow	80	120	160	200	240	280	320	360	400	
		NC	<15	<15	<15	18	22	26	30	34	38	
	4' Length	1 Slot	Airflow	40	60	80	100	120	140	160	180	200
			NC	<15	<15	<15	<15	18	22	26	30	34
		2 Slot	Airflow	80	120	160	200	240	280	320	360	400
			NC	<15	<15	<15	17	21	25	29	33	37
3 Slot	Airflow	120	180	240	300	360	420	480	540	600		
	NC	<15	<15	<15	18	23	27	31	35	38		
4 Slot	Airflow	160	240	320	400	480	560	640	720	800		
	NC	<15	<15	<15	20	24	28	32	36	40		
5' Length	1 Slot	Airflow	50	75	100	125	150	175	200	225	250	
		NC	<15	<15	<15	15	19	23	27	31	35	
	2 Slot	Airflow	100	150	200	250	300	350	400	450	500	
		NC	<15	<15	<15	18	22	26	30	34	38	
3 Slot	Airflow	150	225	300	375	450	525	600	675	750		
	NC	<15	<15	15	19	24	28	32	36	39		
4 Slot	Airflow	200	300	400	500	600	700	800	900	1000		
	NC	<15	<15	16	21	25	29	33	37	41		

		CFM/LF	10	15	20	25	30	40	50	60	70	
		Negative Ps	0.012	0.024	0.040	0.058	0.079	0.129	0.189	0.257	0.334	
3/4" Slot Width	2' Length	1 Slot	Airflow	20	30	40	50	60	80	100	120	140
			NC	<15	<15	<15	<15	<15	17	24	29	35
		2 Slot	Airflow	40	60	80	100	120	160	200	240	280
			NC	<15	<15	<15	<15	<15	20	27	32	38
	3 Slot	Airflow	60	90	120	150	180	240	300	360	420	
		NC	<15	<15	<15	<15	15	22	28	34	39	
	4 Slot	Airflow	80	120	160	200	240	320	400	480	560	
		NC	<15	<15	<15	<15	17	23	30	35	41	
	4' Length	1 Slot	Airflow	40	60	80	100	120	160	200	240	280
			NC	<15	<15	<15	<15	<15	19	26	31	37
		2 Slot	Airflow	80	120	160	200	240	320	400	480	560
			NC	<15	<15	<15	<15	16	22	29	34	40
3 Slot	Airflow	120	180	240	300	360	480	600	720	840		
	NC	<15	<15	<15	<15	17	24	30	36	41		
4 Slot	Airflow	160	240	320	400	480	640	800	960	1120		
	NC	<15	<15	<15	15	19	25	32	37	43		
5' Length	1 Slot	Airflow	50	75	100	125	150	200	250	300	350	
		NC	<15	<15	<15	<15	<15	20	27	32	38	
	2 Slot	Airflow	100	150	200	250	300	400	500	600	700	
		NC	<15	<15	<15	<15	17	23	30	35	41	
3 Slot	Airflow	150	225	300	375	450	600	750	900	1050		
	NC	<15	<15	<15	15	18	25	31	37	42		
4 Slot	Airflow	200	300	400	500	600	800	1000	1200	1400		
	NC	<15	<15	<15	16	20	26	33	38	44		

SERIES XG-PHP PERFORMANCE DATA
MODEL XG-PHPR/PHNR

		CFM/LF	20	30	40	50	60	70	80	90	100	
		Negative Ps	0.022	0.045	0.073	0.106	0.145	0.188	0.236	0.289	0.345	
1" Slot Width	2' Length	1 Slot	Airflow NC	40 <15	60 <15	80 <15	100 15	120 19	140 23	160 26	180 30	200 34
		2 Slot	Airflow NC	80 <15	120 <15	160 <15	200 18	240 22	280 26	320 29	360 33	400 37
		3 Slot	Airflow NC	120 <15	180 <15	240 15	300 19	360 23	420 27	480 31	540 35	600 38
		4 Slot	Airflow NC	160 <15	240 <15	320 16	400 21	480 25	560 29	640 32	720 36	800 40
	4' Length	1 Slot	Airflow NC	80 <15	120 <15	160 <15	200 17	240 21	280 25	320 28	360 32	400 36
		2 Slot	Airflow NC	160 <15	240 <15	320 15	400 20	480 24	560 28	640 31	720 35	800 39
		3 Slot	Airflow NC	240 <15	360 <15	480 17	600 21	720 25	840 29	960 33	1080 37	1200 40
		4 Slot	Airflow NC	320 <15	480 <15	640 18	800 23	960 27	1120 31	1280 34	1440 38	1600 42
	5' Length	1 Slot	Airflow NC	100 <15	150 <15	200 <15	250 18	300 22	350 26	400 29	450 33	500 37
		2 Slot	Airflow NC	200 <15	300 <15	400 16	500 21	600 25	700 29	800 32	900 36	1000 40
		3 Slot	Airflow NC	300 <15	450 <15	600 18	750 22	900 26	1050 30	1200 34	1350 38	1500 41
		4 Slot	Airflow NC	400 <15	600 15	800 19	1000 24	1200 28	1400 32	1600 35	1800 39	2000 43

		CFM/LF	20	30	40	50	60	80	100	125	150	
		Negative Ps	0.011	0.022	0.036	0.053	0.072	0.117	0.171	0.250	0.341	
1-1/2" Slot Width	2' Length	1 Slot	Airflow NC	40 <15	60 <15	80 <15	100 <15	120 <15	160 22	200 28	250 36	300 42
		2 Slot	Airflow NC	80 <15	120 <15	160 <15	200 <15	240 17	320 25	400 31	500 39	600 45
		3 Slot	Airflow NC	120 <15	180 <15	240 <15	300 15	360 19	480 26	600 33	750 40	900 47
		4 Slot	Airflow NC	160 <15	240 <15	320 <15	400 17	480 20	640 28	800 34	1000 42	1200 48
	4' Length	1 Slot	Airflow NC	80 <15	120 <15	160 <15	200 <15	240 16	320 24	400 30	500 38	600 44
		2 Slot	Airflow NC	160 <15	240 <15	320 <15	400 16	480 19	640 27	800 33	1000 41	1200 47
		3 Slot	Airflow NC	240 <15	360 <15	480 <15	600 17	720 21	960 28	1200 35	1500 42	1800 49
		4 Slot	Airflow NC	320 <15	480 <15	640 15	800 19	960 22	1280 30	1600 36	2000 44	2400 50
	5' Length	1 Slot	Airflow NC	100 <15	150 <15	200 <15	250 <15	300 17	400 25	500 31	625 39	750 45
		2 Slot	Airflow NC	200 <15	300 <15	400 <15	500 17	600 20	800 28	1000 34	1250 42	1500 48
		3 Slot	Airflow NC	300 <15	450 <15	600 <15	750 18	900 22	1200 29	1500 36	1875 43	2250 50
		4 Slot	Airflow NC	400 <15	600 <15	800 16	1000 20	1200 23	1600 31	2000 37	2500 45	3000 51

PLENUM SLOT
DIFFUSERS

PLENUM RETURNS

XG-PHPR

PERFORMANCE NOTES FOR SERIES XG-PHP

All data is tested in accordance with ANSI/ASHRAE 70-2006.

DEFINITION OF UNITS

CFM Cubic Feet per Minute (air)

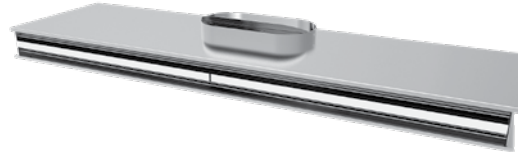
Pt Total pressure (inches of water column)

Ps Static pressure = $P_t - P_v$ (inches of water column)

Throw Isothermal throw (supply air temperature the same as average room temperature); values are for 150, 100 and 50fpm velocities

NC Noise criterion, sound pressure level NC ratings are based on sound power level (Lw) re: 10^{-12} watts minus a 10dB room attenuation in all octave bands

MODEL XG-PHPS-IT



Supply T-bar Lay-in — Insulated/Non-insulated

Plenum slot diffuser shall be GREENHECK XG-PHPS-IT-6 (non-insulated) or XG-PHPSI-IT-6 (insulated). Plenum slot diffusers shall be of the sizes and mounting types as shown on the device schedule.

Diffusers shall have extruded aluminum “ice tong” deflector blades which produce a 180° air pattern. Units shall be adjustable from the slot opening to provide horizontal to vertical air patterns.

Inlets shall be round or oval, centrally located. Plenum diffusers shall be constructed of corrosion resistant steel. Height of units shall be 11” or greater to maximize diffuser performance.

Units shall be available with 3/4” or 1” slot widths and be available with 1, 2, 3 or 4 independent supply slots. Diffuser face and air pattern controller shall be black. Optional tees shall be white.

Insulated diffusers shall be Model XG-PHPSI-IT. Insulation shall be internal with optional external.

Supply Donn Finline/Bolt Slot Ceilings — Insulated/Non-insulated

Plenum slot diffuser shall be GREENHECK XG-PHPS-IT-9 (non-insulated) or XG-PHPSI-IT-9 (insulated). Plenum slot diffusers shall be of the sizes and mounting types as shown on the device schedule.

Diffusers shall have extruded aluminum “ice tong” deflector blades which produce a 180° air pattern.

Units shall be adjustable from the slot opening to provide horizontal to vertical air patterns.

Inlets shall be round or oval, centrally located. Plenum diffusers shall be constructed of corrosion resistant steel. Height of units shall be 11” or greater to maximize diffuser performance.

Units shall be available with 3/4” or 1” slot widths and be available with 1, 2, 3 or 4 independent supply slots. Diffuser face and air pattern controller shall be black. Optional tees shall be white.

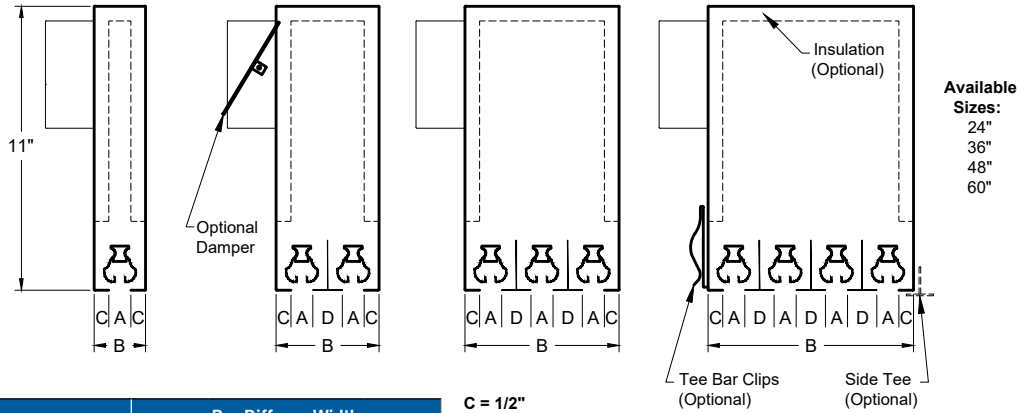
Insulated diffusers shall be Model XG-PHPSI-IT. Insulation shall be internal with optional external.

Performance Specification

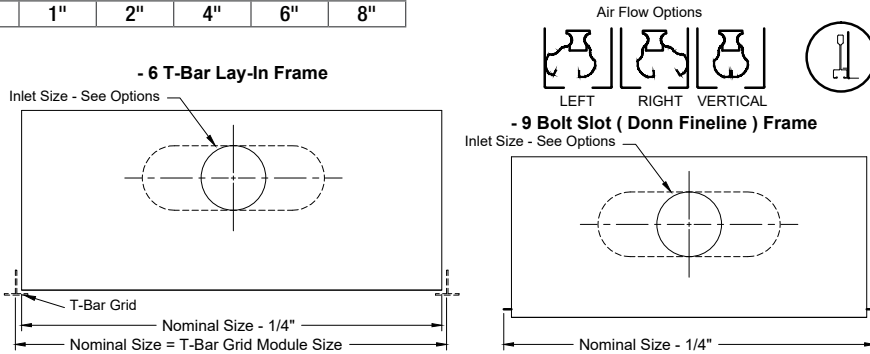
The manufacturer shall provide published performance data. Data shall be tested in accordance to ANSI/ASHRAE Standard 70-2006.

MODEL XG-PHPS-IT

24 Gauge Galvanized Steel. (25) Finish All Exposed Surfaces Painted Black, Center Tees White



A – Slot Width	B – Diffuser Width				
	1 Slot	2 Slot	3 Slot	4 Slot	
75	3/4"	1 3/4"	3 1/2"	5 1/4"	7"
10	1"	2"	4"	6"	8"



XG-PHPS-IT-75-6	Plenum Slot Diffuser "Ice Tong" Blade - 3/4" Slot Width T-Bar Lay-In Non-insulated
XG-PHPSI-IT-75-6	Plenum Slot Diffuser "Ice Tong" Blade - 3/4" Slot Width T-Bar Lay-In Insulated
XG-PHPS-IT-10-6	Plenum Slot Diffuser "Ice Tong" Blade - 1" Slot Width T-Bar Lay-In Non-insulated
XG-PHPSI-IT-10-6	Plenum Slot Diffuser "Ice Tong" Blade - 1" Slot Width T-Bar Lay-In Insulated
XG-PHPS-IT-75-9	Plenum Slot Diffuser "Ice Tong" Blade - 3/4" Slot Width Bolt Slot (Donn Finline) Non-insulated
XG-PHPSI-IT-75-9	Plenum Slot Diffuser "Ice Tong" Blade - 3/4" Slot Width Bolt Slot (Donn Finline) Insulated
XG-PHPS-IT-10-9	Plenum Slot Diffuser "Ice Tong" Blade - 1" Slot Width Bolt Slot (Donn Finline) Non-insulated
XG-PHPSI-IT-10-9	Plenum Slot Diffuser "Ice Tong" Blade - 1" Slot Width Bolt Slot (Donn Finline) Insulated

**XG-PHP-IT MODEL NUMBER SPECIFICATION
PLENUM SLOT DIFFUSER**

Model – Non-insulated		# of Slots	Slot Lengths	Inlets	Available Finishes	
XG-PHPS-IT-75-6	3/4" Slot Width	1	24"	No Inlet	Standard	
XG-PHPS-IT-10-6	1" Slot Width	2	36"	5" Round	25	White Tee / Black Border
XG-PHPS-IT-75-9	3/4" Slot Width	3	48"	6" Round	Optional	
XG-PHPS-IT-10-9	1" Slot Width	4	60"	7" Round	26	All White
				8" Oval	27	All Black
				10" Oval		
				12" Oval		

Model – Insulated		# of Slots	Slot Lengths	Inlets	Available Accessories	
XG-PHPSI-IT-75-6	3/4" Slot Width	1	24"	No Inlet	ID	Inlet Damper
XG-PHPSI-IT-10-6	1" Slot Width	2	36"	5" Round	PHP-TBPF	T-bar Plaster Frame
XG-PHPSI-IT-75-9	3/4" Slot Width	3	48"	6" Round	NB	No Blades
XG-PHPSI-IT-10-9	1" Slot Width	4	60"	7" Round	EI	External Insulation
				8" Oval	CC	Closed Cell Insulation
				10" Oval		
				12" Oval		

Available Options	
CN	Cross Notch (Standard on Units over 24")

SERIES XG-PHP PERFORMANCE DATA
MODEL XG-PHPS-IT

1 Slot	3/4" Width	2' Length 6" Inlet	Horizontal	CFM	30	50	70	90	110	130
				Pt	.017	.063	.131	.216	.323	.448
				Throw	16	22	26	30	34	37
				NC	<20	21	29	35	39	43
	1" Width	2' Length 8" Inlet	Horizontal	CFM	50	70	90	110	130	150
				Pt	.032	.075	.125	.176	.262	.361
				Throw	17	23	28	31	34	37
				NC	<20	24	29	34	38	41
	3/4" Width	4' Length 6" Inlet	Horizontal	CFM	50	80	110	140	170	200
				Pt	.018	.051	.095	.157	.238	.332
				Throw	10	13	15	17	19	20
				NC	<20	21	28	34	38	42
1" Width	4' Length 8" Inlet	Horizontal	CFM	50	80	110	140	170	200	
			Pt	.011	.023	.043	.073	.112	.158	
			Throw	9	13	15	17	19	21	
			NC	<20	<20	24	30	35	39	
2 Slot	3/4" Width	2' Length 6" Inlet	Horizontal	CFM	50	80	110	140	170	200
				Pt	.015	.041	.083	.142	.218	.312
				Throw	16	27	33	39	43	47
				NC	<20	20	26	33	38	41
	1" Width	2' Length 8" Inlet	Horizontal	CFM	50	80	110	140	170	200
				Pt	.008	.019	.042	.072	.112	.160
				Throw	12	21	30	37	41	45
				NC	<20	<20	23	28	34	38
	3/4" Width	4' Length 8" Inlet	Horizontal	CFM	100	140	180	220	260	300
				Pt	.020	.042	.073	.113	.160	.217
				Throw	13	16	18	20	22	25
				NC	<20	<20	24	29	33	37
1" Width	4' Length 10" Inlet	Horizontal	CFM	100	200	250	300	350	400	
			Pt	.011	.053	.077	.118	.160	.202	
			Throw	13	19	22	25	27	29	
			NC	<20	<20	21	25	32	37	
3 Slot	3/4" Width	2' Length 8" Inlet	Horizontal	CFM	75	110	145	180	215	250
				Pt	.012	.037	.066	.103	.152	.202
				Throw	16	26	35	41	46	50
				NC	<20	<20	23	28	33	38
	1" Width	2' Length 10" Inlet	Horizontal	CFM	75	120	165	210	255	300
				Pt	.007	.020	.043	.072	.110	.157
				Throw	13	22	32	41	47	52
				NC	<20	<20	24	29	34	39
	3/4" Width	4' Length 10" Inlet	Horizontal	CFM	150	210	270	330	390	450
				Pt	.026	.048	.082	.124	.174	.241
				Throw	17	20	23	25	27	29
				NC	<20	<20	25	29	33	38
1" Width	4' Length 10" Inlet	Horizontal	CFM	150	210	270	330	390	450	
			Pt	.010	.032	.057	.092	.132	.176	
			Throw	15	20	22	25	28	30	
			NC	<20	<20	25	30	34	38	
4 Slot	3/4" Width	2' Length 10" Inlet	Horizontal	CFM	100	150	200	250	300	350
				Pt	.012	.038	.068	.112	.164	.227
				Throw	14	17	20	22	25	27
				NC	<20	<20	26	31	35	39
	1" Width	2' Length 10" Inlet	Horizontal	CFM	100	150	200	250	300	350
				Pt	.010	.018	.037	.058	.098	.132
				Throw	17	21	25	30	34	37
				NC	<20	<20	25	30	34	38
	3/4" Width	4' Length 10" Inlet	Horizontal	CFM	150	230	310	390	470	550
				Pt	.015	.048	.084	.128	.187	.273
				Throw	17	20	23	26	29	32
				NC	<20	<20	22	27	32	35
1" Width	4' Length 12" Inlet	Horizontal	CFM	200	290	380	470	560	650	
			Pt	.016	.032	.054	.080	.120	.164	
			Throw	20	24	28	32	35	37	
			NC	<20	<20	24	30	34	38	

PERFORMANCE NOTES FOR SERIES XG-PHP MODEL XG-PHPS-IT

Performance data is based on tests performed at Donco Air Products and Intertek Testing Services (formerly ETL) in accordance with ASHRAE 70-2006.

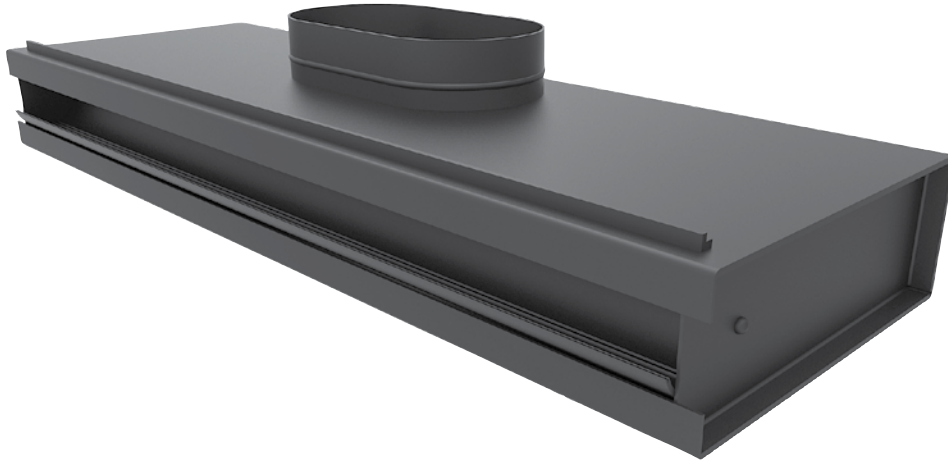
DEFINITION OF UNITS

Pt Total pressure (inches of water column)

Throw Distances in feet to terminal velocity of 50 fpm

Throw 1 and Throw 2 indicates number of slots throwing each direction on 3 slot, 2 way diffuser

NC Noise criterion, sound pressure level NC ratings are based on sound power level (Lw) re: 10^{-12} watts minus a 10dB room attenuation in all octave bands



PLENUM DIFFUSERS WITH HIGH CAPACITY FIXED PATTERN CONTROLLERS

Model XG-PHCS designed to maximize air entrainment and minimize temperature gradients along perimeter zones. It has an extruded, aerodynamically shaped deflection blade that minimizes pressure and noise and maximizes room air mixing.

PAGE 30

Model XG-PHPS-J is designed with an aerodynamically curved control vane which provides a draftless full range air pattern. It is an excellent choice for variable volume.

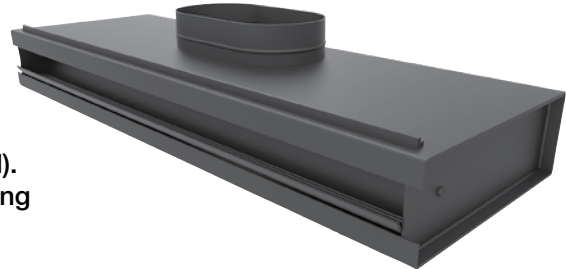
PAGE 37

Model XG-PHPS-E features the same aerodynamically curved control vane used in the J Series. It maintains an air pattern tight against the ceiling in constant or variable air control systems.

PAGE 41

MODEL XG-PHCS

Supply – T-bar Lay-in – Fixed Curved Blade – Insulated/Non-insulated



Plenum slot supply diffusers shall be GREENHECK XG-PHCS-6 (non-insulated) or XG-PHCSI-6 (insulated). Plenum slot diffusers shall be of the sizes and mounting types as shown on the device schedule.

Units shall have an aerodynamically shaped extruded aluminum curved blade deflector that provides a 1-way horizontal discharge pattern.

Inlets shall be centrally located, with a minimum depth of 2 1/8" for ease of duct connection. For straightness and rigidity, plenums shall be fabricated using a two piece panel construction and have a double metal thickness hem at the face. Units fabricated using single wrapper construction are not acceptable. Plenum diffusers shall be constructed of corrosion resistant galvanized steel.

Diffuser face and air pattern controller shall be black.

Insulated diffusers shall be model XG-PHCSI-6. Insulation shall be internal.

Return – T-bar Lay-in – Fixed Curved Blade – Insulated/Non-insulated

Plenum slot return diffusers shall be GREENHECK PHCR-6 (non-insulated) or PHCRI-6 (insulated). Plenum slot diffusers shall be of the sizes and mounting types as shown on the device schedule.

Plenum diffusers shall include a fixed curved blade supply air section and an integral plenum return section.

The supply section shall have an aerodynamically shaped extruded aluminum curved blade deflector that provides a one way horizontal discharge pattern.

Unit shall have an integral plenum return section designed for plenum return applications. Return section shall include a light shield to minimize reflective light coming through the slot opening.

Inlets shall be centrally located with a minimum depth of 2 1/8" for ease of duct connection. For straightness and rigidity, plenums shall be fabricated using a two piece panel construction and have a double metal thickness hem at the face. Units fabricated using single wrapper construction are not acceptable.

Plenum diffusers shall be constructed of corrosion resistant galvanized steel.

Diffuser face and air pattern controller shall be black.

Insulated diffusers shall be model PHCRI-6. Supply section insulation shall be internal.

Supply – Center Down Blow – T-bar Lay-in – Fixed Curved Blade – Insulated/Non-insulated

Plenum slot supply diffusers shall be GREENHECK XG-PHCS-DB-6 (non-insulated) or XG-PHCSI-DB-6 (insulated). Plenum slot diffusers shall be of the sizes and mounting types as shown on the device schedule.

Plenum diffusers shall include a fixed curved blade supply air section and a center down-blow section. The supply section shall have an aerodynamically shaped extruded aluminum curved blade deflector that provides a 1-way horizontal discharge pattern.

Plenum slot diffusers shall include an integral adjustable center down-blow section that provides a vertical jet of supply air. Volume and direction of discharge air through center down-blow section shall be adjustable through the face of the diffuser.

Inlets shall be centrally located, with a minimum depth of 2 1/8" for ease of duct connection. For straightness and rigidity, plenums shall be fabricated using a two piece panel construction and have a double metal thickness hem at the face. Units fabricated using single wrapper construction are not acceptable. Plenum diffusers shall be constructed of corrosion resistant galvanized steel.

Diffuser face and air pattern controller shall be black.

Insulated diffusers shall be model XG-PHCSI-DB-6.

Supply section insulation shall be internal.

Return – Center Down Blow – T-bar Lay-in – Fixed Curved Blade – Insulated/Non-insulated

Plenum slot return diffusers shall be GREENHECK PHCR-DB-6 (non-insulated) or PHCRI-DB-6 (insulated). Plenum slot diffusers shall be of the sizes and mounting types as shown on the device schedule.

Plenum diffusers shall include a supply air section, a center down-blow section, and an integral plenum return section. The supply section shall have an aerodynamically shaped extruded aluminum curved blade deflector that provides a 1-way horizontal discharge pattern. Plenum slot diffuser shall include an integral adjustable center down-blow section that provides a vertical jet of supply air. Volume and direction of discharge air through center down-blow section shall be adjustable through the face of the diffuser. Unit shall also have an integral plenum return section designed for plenum return applications.

Return section shall include a light shield to minimize reflective light coming through the slot opening.

Inlets shall be centrally located, with a minimum depth of 2 1/8" for ease of duct connection. For straightness and rigidity, plenums shall be fabricated using a two piece panel construction and have a double metal thickness hem at the face. Units fabricated using single wrapper construction are not acceptable. Plenum diffusers shall be constructed of corrosion resistant galvanized steel.

Diffuser face and air pattern controller shall be black.

Insulated diffusers shall be model PHCRI-DB-6.

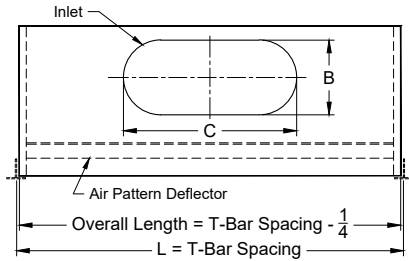
Supply section insulation shall be internal.

Performance Specification

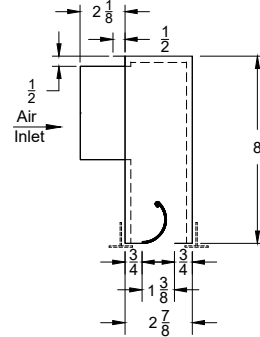
The manufacturer shall provide published performance data. Data shall be tested in accordance to ANSI/ASHRAE Standard 70-2006.

MODEL XG-PHCS

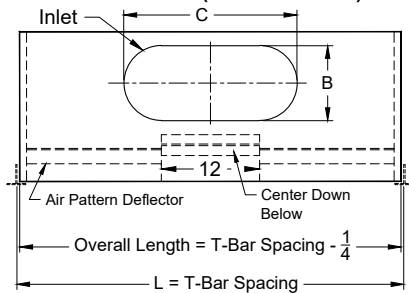
Front view (Models: XG-PHCS & XG-PHCR)



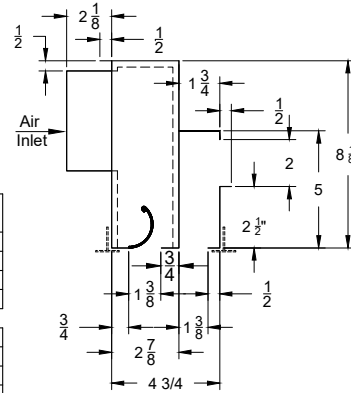
Models: XG-PHCS-6, XG-PHCSI-6
XG-PHCS-DB-6, XG-PHCSI-DB-6



Front view (XG-DB Models)

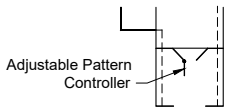


Models: XG-PHCR-6, XG-PHCRI-6
XG-PHCR-DB-6, XG-PHCRI-DB-6



L = Nominal Lengths	Available Inlets
24	6, 8, 10, 12
36	6, 8, 10, 12
48	6, 8, 10, 12
60	6, 8, 10, 12

Inlet Size	B	C
6" Oval	3 15/16	7 1/8
8" Oval	3 15/16	10 3/8
10" Oval	3 15/16	13 3/8
12" Oval	3 15/16	16 3/8



XG-PHC MODEL NUMBER SPECIFICATION PLENUM SLOT DIFFUSER HIGH CAPACITY FIXED CURVED BLADE

Supply		Inlets	Slot Lengths	Available Finishes	
XG-PHCS-6	Non-insulated	No Inlet	24"	Standard	
XG-PHCSI-6	Insulated	6" Round	36"	27	All Black
Center Down Blow Section		8" Oval	48"		
XG-PHCS-DB-6	Non-insulated	10" Oval	60"	Available Accessories	
XG-PHCSI-DB-6	Insulated	12" Oval		LQ	Locking Quadrant Damper
		14" Oval			

Return		Inlets	Slot Lengths	Available Accessories	
XG-PHCR-6	Non-insulated	No Inlet	24"	EI	External Insulation
XG-PHCRI-6	Insulated	6" Round	36"	CC	Closed Cell Insulation
Center Down Blow Section		8" Oval	48"		
XG-PHCR-DB-6	Non-insulated	10" Oval	60"		
XG-PHCRI-DB-6	Insulated	12" Oval			
		14" Oval			

SERIES XG-PHCS PERFORMANCE DATA
MODEL XG-PHCS/XG-PHCSI

		CFM/LF	20	30	40	50	60	80	90	100	110
6" Round Inlet	2' Length	CFM	40	60	80	100	120	160	180	200	-
		Ps	.010	.022	.040	.062	.089	.159	.201	.248	-
		Pt	.013	.028	.050	.078	.113	.200	.254	.313	-
		Throw	1-2-7	2-5-11	4-7-14	6-9-18	7-11-19	10-14-22	11-16-24	12-18-25	-
		NC	<15	17	21	26	31	39	44	48	-
	3' Length	CFM	60	90	120	150	180	240	270	300	-
		Ps	.013	.029	.052	.081	.117	.208	.263	.324	-
		Pt	.019	.042	.075	.117	.169	.301	.381	.470	-
		Throw	1-3-7	3-5-11	5-7-14	6-9-18	7-11-22	10-14-27	11-16-28	12-18-30	-
		NC	<15	<15	16	22	27	36	41	46	-
	4' Length	CFM	80	120	160	200	240	320	360	400	440
		Ps	.015	.033	.059	.092	.132	.235	.298	.368	.445
		Pt	.025	.056	.100	.157	.226	.401	.507	.626	.758
		Throw	2-5-10	5-7-14	6-10-19	8-12-24	10-14-37	13-19-31	14-22-33	16-24-35	18-26-36
		NC	<15	<15	<15	19	25	35	40	44	49
	5' Length	CFM	100	150	200	250	300	400	450	500	-
		Ps	.015	.034	.061	.095	.137	.243	.308	.380	-
		Pt	.031	.071	.125	.196	.262	.502	.635	.784	-
		Throw	4-6-12	6-9-18	8-12-24	10-15-27	12-18-30	16-24-35	118-26-37	20-27-39	-
		NC	<15	<15	16	21	27	36	41	45	-
8" Oval Inlet	2' Length	CFM	40	60	80	100	120	160	180	200	-
		Ps	.006	.014	.026	.040	.058	.103	.130	.161	-
		Pt	.007	.017	.029	.046	.066	.118	.149	.184	-
		Throw	0-1-3	1-2-5	2-3-7	3-4-8	3-5-10	5-7-14	5-8-15	6-8-16	-
		NC	<15	<15	19	24	28	37	41	46	-
	3' Length	CFM	60	90	120	150	180	240	270	300	330
		Ps	.009	.020	.036	.056	.081	.143	.181	.224	.271
		Pt	.011	.025	.044	.069	.099	.177	.224	.276	.334
		Throw	1-2-5	2-4-8	3-5-10	4-6-13	5-8-15	7-10-18	8-11-19	8-13-20	9-14-21
		NC	<15	<15	<15	20	25	35	39	44	49
	4' Length	CFM	80	120	160	200	240	320	360	400	440
		Ps	.011	.025	.044	.069	.099	.176	.223	.275	.333
		Pt	.015	.033	.059	.092	.133	.236	.299	.369	.446
		Throw	2-3-7	3-5-10	5-7-14	6-8-16	7-10-18	9-14-20	10-15-21	11-16-23	12-17-24
		NC	<15	<15	<15	18	23	33	38	43	48
	5' Length	CFM	100	150	200	250	300	400	450	500	550
		Ps	.013	.028	.050	.079	.113	.201	.255	.314	.380
		Pt	.018	.041	.074	.115	.166	.294	.373	.460	.557
		Throw	3-4-8	4-6-13	6-8-16	7-11-18	8-13-20	11-16-23	13-17-24	14-18-25	15-19-27
		NC	<15	<15	<15	20	26	35	38	42	46

PLENUM SLOT
DIFFUSERS

PLENUM DIFFUSERS WITH
HIGH CAPACITY FIXED
PATTERN CONTROLLERS

XG-PHCS

SERIES XG-PHCS PERFORMANCE DATA
MODEL XG-PHCS/XG-PHCSI

	CFM/LF	20	30	40	50	60	80	90	100	110	120	
10" Oval Inlet	3' Length	CFM	60	90	120	150	180	240	270	300	330	360
		Ps	.008	.017	.030	.047	.068	.120	.152	.188	.227	.270
		Pt	.009	.019	.034	.054	.077	.137	.174	.214	.260	.309
		Throw	1-2-5	2-4-8	3-5-10	4-6-13	5-8-14	7-10-16	8-11-17	8-13-18	9-14-19	10-14-20
		NC	<15	<15	<15	17	22	31	36	40	45	50
	4' Length	CFM	80	120	160	200	240	320	360	400	440	480
		Ps	.010	.021	.038	.060	.086	.153	.193	.239	.289	.344
		Pt	.011	.026	.046	.072	.103	.183	.232	.286	.346	.412
		Throw	2-3-7	3-5-10	5-7-13	6-8-15	7-10-16	9-13-19	10-14-20	11-15-21	13-16-22	13-16-23
		NC	<15	<15	<15	<15	20	30	35	39	44	48
	5' Length	CFM	100	150	200	250	300	400	450	500	550	600
		Ps	.011	.024	.043	.068	.097	.173	.219	.271	.328	.390
		Pt	.014	.031	.055	.086	.124	.221	.279	.345	.417	.497
		Throw	3-4-8	4-6-13	6-8-15	7-11-17	8-13-18	11-15-21	13-16-23	14-17-24	14-18-25	15-18-26
		NC	<15	<15	<15	17	23	32	36	40	43	47
12" Oval Inlet	4' Length	CFM	80	120	160	200	240	320	360	400	440	480
		Ps	.008	.019	.033	.052	.075	.134	.170	.209	.253	.301
		Pt	.010	.021	.038	.060	.086	.152	.193	.238	.288	.343
		Throw	2-3-6	3-5-10	4-6-13	5-8-15	6-10-16	8-13-19	10-14-20	11-15-21	12-16-22	13-16-23
		NC	<15	<15	<15	<15	18	28	33	37	42	46
	5' Length	CFM	100	150	200	250	300	400	450	500	550	600
		Ps	.010	.023	.040	.063	.091	.162	.205	.253	.306	.364
		Pt	.012	.027	.048	.074	.107	.190	.241	.298	.360	.428
		Throw	3-4-8	4-6-12	5-8-15	7-10-17	8-12-18	11-15-21	12-16-22	13-17-23	14-17-25	15-18-26
		NC	<15	<15	<15	16	21	30	34	38	41	45

PERFORMANCE NOTES FOR SERIES XG-PHP
MODEL XG-PHCS/XG-PHCSI

All data is tested in accordance with ANSI/ASHRAE 70-2006.

DEFINITION OF UNITS

CFM Cubic Feet per Minute (air)

Pt Total pressure (inches of water column)

Ps Static pressure = Pt-Pv (inches of water column)

Throw Isothermal throw (supply air temperature the same as average room temperature); values are for 150, 100 and 50fpm velocities

NC Noise criterion, sound pressure level NC ratings are based on sound power level (Lw) re: 10⁻¹² watts minus a 10dB room attenuation in all octave bands

SERIES XG-PHCS PERFORMANCE DATA
MODEL XG-PHCS/XG-PHCSI-DB

		CFM/LF	20	30	40	50	60	70	80	90	100
6" Round Inlet 12" x 7/16" Down Blow Slot	3' Length	CFM	60	90	120	150	180	210	240	270	-
		Ps	.049	.111	.198	.309	.445	.606	.791	1.001	-
		Pt	.055	.124	.221	.345	.497	.677	.884	1.119	-
		Throw H	1-3-9	3-7-13	6-9-18	7-11-22	9-13-25	10-16-27	12-18-28	13-20-30	-
		Throw V	1-1-2	1-2-4	2-2-5	2-3-6	2-4-6	3-4-6	3-5-7	4-5-7	-
		NC	19	23	28	32	36	40	44	47	-
	4' Length	CFM	80	120	160	200	240	280	320	360	-
		Ps	.052	.116	.207	.323	.465	.633	.827	1.047	-
		Pt	.062	.140	.248	.388	.558	.760	.993	1.256	-
		Throw H	2-6-12	6-9-18	8-12-23	10-25-26	12-18-28	14-21-31	16-23-33	18-25-35	-
		Throw V	1-2-3	2-2-5	2-3-6	3-4-6	3-5-7	4-5-7	4-5-8	5-6-8	-
		NC	<15	21	27	33	37	42	46	49	-
	5' Length	CFM	100	150	200	250	300	350	400	450	-
		Ps	.020	.046	.081	.127	.183	.249	.325	.412	-
		Pt	.037	.082	.146	.228	.329	.447	.584	.739	-
		Throw H	4-7-15	7-11-22	10-15-26	12-19-29	15-22-32	17-24-34	20-26-37	22-28-39	-
		Throw V	1-2-4	2-3-5	3-4-6	3-5-7	4-5-7	5-6-8	5-6-8	5-6-9	-
		NC	<15	<15	20	27	34	39	44	49	-
8" Oval Inlet 12" x 7/16" Down Blow Slot	3' Length	CFM	60	90	120	150	180	210	240	270	300
		Ps	.031	.069	.122	.191	.275	.375	.489	.619	.764
		Pt	.033	.074	.131	.204	.294	.400	.523	.662	.817
		Throw H	1-3-9	3-6-13	6-9-16	7-11-18	9-13-20	10-15-22	11-16-23	13-17-24	14-18-26
		Throw V	1-1-2	1-2-3	1-2-4	2-3-4	2-3-5	2-4-5	3-4-5	3-4-6	3-4-6
		NC	15	20	24	28	33	37	40	44	47
	4' Length	CFM	80	120	160	200	240	280	320	360	400
		Ps	.018	.040	.071	.111	.160	.218	.285	.360	.445
		Pt	.022	.048	.086	.134	.194	.264	.344	.436	.538
		Throw H	2-6-11	6-9-16	8-11-19	9-14-21	11-16-23	13-18-25	15-19-27	16-20-28	17-21-30
		Throw V	1-1-3	1-2-4	2-3-4	2-3-6	3-4-5	3-4-6	4-4-6	4-5-7	4-5-7
		NC	<15	17	23	29	33	37	41	45	49
	5' Length	CFM	100	150	200	250	300	350	400	450	500
		Ps	.016	.035	.063	.098	.141	.192	.251	.317	.391
		Pt	.021	.048	.086	.134	.193	.263	.344	.435	.537
		Throw H	4-7-14	7-11-18	9-14-21	12-17-23	14-18-26	16-20-28	17-21-30	18-22-32	19-23-33
		Throw V	1-2-3	2-3-4	2-3-5	3-4-6	3-4-6	4-5-7	4-5-7	4-5-8	5-6-8
		NC	<15	<15	15	23	29	35	40	44	47

**PLENUM SLOT
DIFFUSERS**
**PLENUM DIFFUSERS WITH
HIGH CAPACITY FIXED
PATTERN CONTROLLERS**
XG-PHCS

SERIES XG-PHCS PERFORMANCE DATA
MODEL XG-PHCS/XG-PHCSI-DB

	CFM/LF	20	30	40	50	60	70	80	90	100	110	
10" Oval Inlet 12" x 7/16" Down Blow Slot	3' Length	CFM	60	90	120	150	180	210	240	270	300	330
		Ps	.015	.034	.060	.094	.136	.185	.241	.305	.377	.456
		Pt	.016	.036	.065	.101	.145	.198	.258	.327	.404	.488
		Throw H	1-2-6	2-4-8	3-6-11	5-7-14	6-8-17	7-10-19	8-11-21	8-13-22	9-14-23	10-16-24
		Throw V	1-1-2	1-1-2	1-2-3	1-2-4	2-2-4	2-3-5	2-3-5	2-4-5	3-4-5	3-4-6
		NC	<15	16	21	25	29	33	37	41	44	47
	4' Length	CFM	80	120	160	200	240	280	320	360	400	440
		Ps	.015	.034	.060	.093	.134	.182	.238	.302	.372	.451
		Pt	.017	.038	.067	.105	.151	.206	.269	.340	.420	.508
		Throw H	1-3-8	3-6-11	5-8-15	6-9-19	8-11-21	9-13-22	10-15-24	11-17-25	13-19-27	14-20-28
		Throw V	1-1-2	1-2-3	1-2-4	2-3-4	2-3-5	3-4-5	3-4-6	3-4-6	4-4-6	4-5-7
		NC	<15	<15	20	25	30	34	38	41	45	49
	5' Length	CFM	100	150	200	250	300	350	400	450	500	-
		Ps	.014	.031	.055	.086	.124	.169	.221	.280	.345	-
		Pt	.017	.038	.067	.105	.151	.206	.269	.340	.420	-
Throw H		2-5-9	5-7-14	6-9-19	8-12-21	9-14-23	11-16-25	13-19-27	14-20-29	16-21-30	-	
Throw V		1-1-3	1-2-4	2-3-4	2-3-5	3-4-5	3-4-6	4-4-6	4-5-7	4-5-7	-	
NC		<15	<15	<15	21	28	34	39	43	47	-	
12" Oval Inlet 12" x 7/16" Down Blow Slot	4' Length	CFM	80	120	160	200	240	280	320	360	400	440
		Ps	.013	.029	.051	.080	.115	.157	.205	.259	.320	.387
		Pt	.014	.031	.056	.087	.126	.171	.223	.282	.349	.422
		Throw H	1-3-7	3-5-11	5-7-14	6-9-18	7-11-20	8-12-22	10-14-23	11-16-25	12-18-26	13-19-27
		Throw V	1-1-2	1-2-3	1-2-4	2-3-4	2-3-5	3-4-5	3-4-6	3-4-6	4-4-6	4-5-7
		NC	<15	<15	18	24	28	32	36	40	43	47
	5' Length	CFM	100	150	200	250	300	350	400	450	500	550
		Ps	.012	.027	.049	.076	.109	.149	.194	.246	.303	.367
		Pt	.014	.031	.056	.087	.125	.171	.223	.282	348	.421
		Throw H	2-4-9	4-7-13	6-9-18	7-11-21	9-13-23	10-16-24	12-18-24	13-20-28	15-21-29	16-22-31
		Throw V	1-1-3	1-2-4	2-3-4	2-3-5	3-4-5	3-4-6	4-4-6	4-5-7	4-5-7	4-5-7
		NC	<15	<15	<15	19	26	32	36	41	45	49

PERFORMANCE NOTES FOR SERIES PHP
MODEL XG-PHCS/XG-PHCSI-DB

All data is tested in accordance with ANSI/ASHRAE 70-2006.

DEFINITION OF UNITS

CFM Cubic Feet per Minute (air)

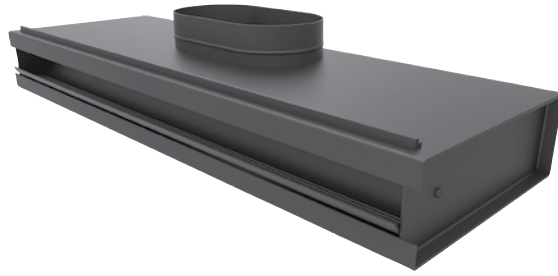
Pt Total pressure (inches of water column)

Ps Static pressure = Pt-Pv (inches of water column)

Throw Isothermal throw (supply air temperature the same as average room temperature); values are for 150, 100 and 50fpm velocities

NC Noise criterion, sound pressure level NC ratings are based on sound power level (Lw) re: 10⁻¹² watts minus a 10dB room attenuation in all octave bands

MODEL XG-PHPS-J



Diffusers shall be available with 1 to 4 slots.
 Discharge deflectors shall be integral with the diffuser housing and be fixed in one way or two way blow directions. Standard nominal lengths shall be 24", 36", 48" or 60". Units shall be constructed of corrosion resistant steel.

The inlet collar must have at least 1 1/2" depth for duct connection. The standard finish will be white.

The lower flange of the deflectors shall provide support for adjacent ceiling tile without additional ceiling grid tee bars. Lower flanges shall be constructed of a double metal thickness for rigidity.

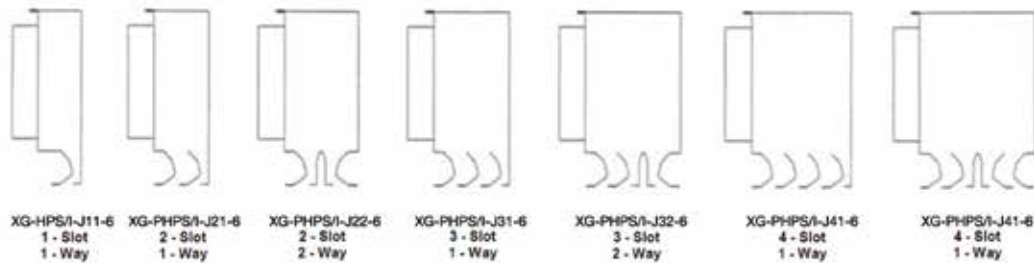
Optional internal insulation shall be available. Factory furnished plaster frames and inlet dampers shall be available as optional accessories.

Performance Specification

The manufacturer shall provide published performance data. Data shall be tested in accordance to ANSI/ASHRAE Standard 70-2006.

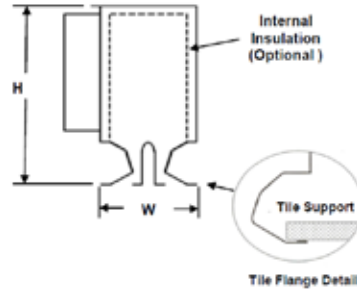
XG-PHPS-J11-6	One Slot 1 Way Non-insulated
XG-PHPS-J21-6	Two Slot 1 Way Non-insulated
XG-PHPS-J22-6	Two Slot 2 Way Non-insulated
XG-PHPS-J31-6	Three Slot 1 Way Non-insulated
XG-PHPS-J32-6	Three Slot 2 Way Non-insulated
XG-PHPS-J41-6	Four Slot 1 Way Non-insulated
XG-PHPS-J42-6	Four Slot 2 Way Non-insulated

XG-PHPSI-J11-6	One Slot 1 Way Insulated
XG-PHPSI-J21-6	Two Slot 1 Way Insulated
XG-PHPSI-J22-6	Two Slot 2 Way Insulated
XG-PHPSI-J31-6	Three Slot 1 Way Insulated
XG-PHPSI-J32-6	Three Slot 2 Way Insulated
XG-PHPSI-J41-6	Four Slot 1 Way Insulated
XG-PHPSI-J42-6	Four Slot 2 Way Insulated

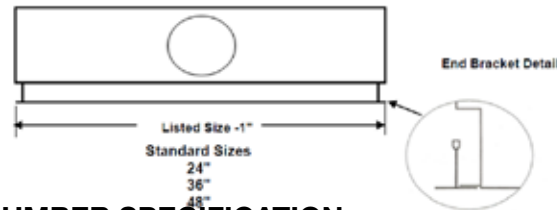


MODEL XG-PHPS-J

Model	W
XG-PHPS/I-J11	1 13/16
XG-PHPS/I-J21	3 1/16
XG-PHPS/I-J22	4 1/8
XG-PHPS/I-J31	4 5/16
XG-PHPS/I-J32	5 3/8
XG-PHPS/I-J41	5 9/16
XG-PHPS/I-J42	6 5/8



Inlet Diameter	H
5, 6	9 1/4
7, 8, 9	12 7/16
10	14



XG-PHP-J MODEL NUMBER SPECIFICATION PLENUM SLOT DIFFUSER

Model -Non-insulated	# of Slots	Slot Lengths	Inlets	Available Finishes	
XG-PHPS-J11-6	1	24"	No Inlet	Standard	
XG-PHPS-J21-6	2	36"	5" Oval	25	White Tee / Black Border
XG-PHPS-J22-6	3	48"	6" Oval	Optional	
XG-PHPS-J31-6	4	60"	7" Oval	26	All White
XG-PHPS-J32-6			8" Oval	27	All Black
XG-PHPS-J41-6			9" Oval		
XG-PHPS-J42-6			10" Oval		

Model - Insulated	# of Slots	Slot Lengths	Inlets	Available Accessories	
XG-PHPSI-J11-6	1	24"	No Inlet	ID	Inlet Damper
XG-PHPSI-J21-6	2	36"	5" Oval	PHP-J-TBPF	T-bar Plaster Frame
XG-PHPSI-J22-6	3	48"	6" Oval	EI	External Insulation
XG-PHPSI-J31-6	4	60"	7" Oval	CC	Closed Cell Insulation
XG-PHPSI-J32-6			8" Oval		
XG-PHPSI-J41-6			9" Oval		
XG-PHPSI-J42-6			10" Oval		

PLENUM SLOT
DIFFUSERS

PLENUM DIFFUSERS WITH
HIGH CAPACITY FIXED
PATTERN CONTROLLERS

XG-PHPS-J

SERIES XG-PHCS PERFORMANCE DATA
MODEL XG-PHP-J

2' Length	1 Slot 1-Way	CFM	20	40	60	80	100
		Ps	.010	.030	.060	.100	.150
		Throw	11	17	22	25	27
		NC	<20	<20	<20	22	27
	2 Slot 1-Way	CFM	40	80	120	160	200
		Ps	.010	.030	.070	.120	.180
		Throw	14	21	27	31	34
		NC	<20	<20	<20	26	31
	2 Slot 2-Way	CFM	40	80	120	160	200
		Ps	.010	.030	.060	.090	.140
		Throw	11	17	22	25	27
		NC	<20	<20	<20	22	27
	3 Slot 1-Way	CFM	60	120	180	240	300
		Ps	.010	.030	.060	.120	.190
		Throw	17	27	35	40	43
		NC	<20	<20	<20	26	31
3 Slot 2-Way	CFM	60	120	180	240	300	
	Ps	.010	.030	.060	.100	.150	
	Throw 1	11	17	22	25	27	
	Throw 2	14	21	27	31	34	
	NC	<20	<20	<20	26	32	
	CFM	80	160	240	320	400	
4 Slot 2-Way	Ps	.010	.030	.060	.100	.150	
	Throw	14	21	27	31	34	
	NC	<20	<20	21	29	36	

4' Length	1 Slot 1-Way	CFM	40	80	120	160	200
		Ps	.010	.030	.080	.140	.200
		Throw	11	17	22	25	27
		NC	<20	<20	<20	26	32
	2 Slot 1-Way	CFM	80	160	240	320	400
		Ps	.010	.040	.080	.140	.220
		Throw	14	21	27	31	34
		NC	<20	<20	21	30	37
	2 Slot 2-Way	CFM	80	160	240	320	400
		Ps	.010	.030	.060	.090	.150
		Throw	11	17	22	25	27
		NC	<20	<20	<20	26	32

4' Length	3 Slot 1-Way	CFM	120	240	360	480	600
		Ps	.010	.030	.060	.120	.190
		Throw	17	27	35	40	43
		NC	<20	<20	21	30	37
	3 Slot 2-Way	CFM	120	240	360	480	600
		Ps	.010	.030	.060	.100	.160
		Throw 1	11	17	22	25	27
		Throw 2	14	21	27	31	34
	4 Slot 2-Way	CFM	160	320	480	640	800
		Ps	.010	.030	.060	.110	.170
		Throw	14	21	27	31	34
		NC	<20	<20	26	34	42

5' Length	1 Slot 1-Way	CFM	50	100	150	200	250
		Ps	.010	.040	.090	.150	.240
		Throw	11	17	22	25	27
		NC	<20	<20	21	30	37
	2 Slot 1-Way	CFM	100	200	300	400	500
		Ps	.010	.040	.060	.140	.220
		Throw	14	21	27	31	34
		NC	<20	<20	24	35	43
	2 Slot 2-Way	CFM	100	200	300	400	500
		Ps	.010	.030	.060	.110	.170
		Throw	11	17	22	25	27
		NC	<20	<20	21	30	37
	3 Slot 1-Way	CFM	150	300	450	600	750
		Ps	.010	.030	.070	.130	.210
		Throw	17	27	35	40	43
		NC	<20	<20	24	35	43
3 Slot 2-Way	CFM	150	300	450	600	750	
	Ps	.010	.030	.060	.110	.180	
	Throw 1	11	17	22	25	27	
	Throw 2	14	21	27	31	34	
4 Slot 2-Way	CFM	200	400	600	800	1000	
	Ps	.010	.030	.070	.130	.200	
	Throw	14	21	27	31	34	
	NC	<20	<20	32	40	48	

**PLENUM SLOT
DIFFUSERS**
**PLENUM DIFFUSERS WITH
HIGH CAPACITY FIXED
PATTERN CONTROLLERS**
XG-PHPS-J

PERFORMANCE NOTES FOR SERIES XG-PHP MODEL XG-PHPS-J

Performance data is based on tests performed at Donco Air Products and ETL Testing laboratories in accordance with ADC 1062 GRD - 84 Test Code.

DEFINITION OF UNITS

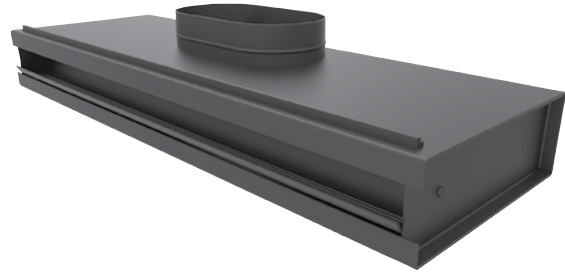
Ps Static pressure = $P_t - P_v$ (inches of water column)

Throw Distances in feet to terminal velocity of 50 fpm

Throw 1 and Throw 2 indicates number of slots throwing each direction on 3 slot, 2-way diffuser

NC Noise criterion, sound pressure level NC ratings are based on sound power level (L_w) re: 10^{-12} watts minus a 10dB room attenuation in all octave bands

MODEL XG-PHPS-E



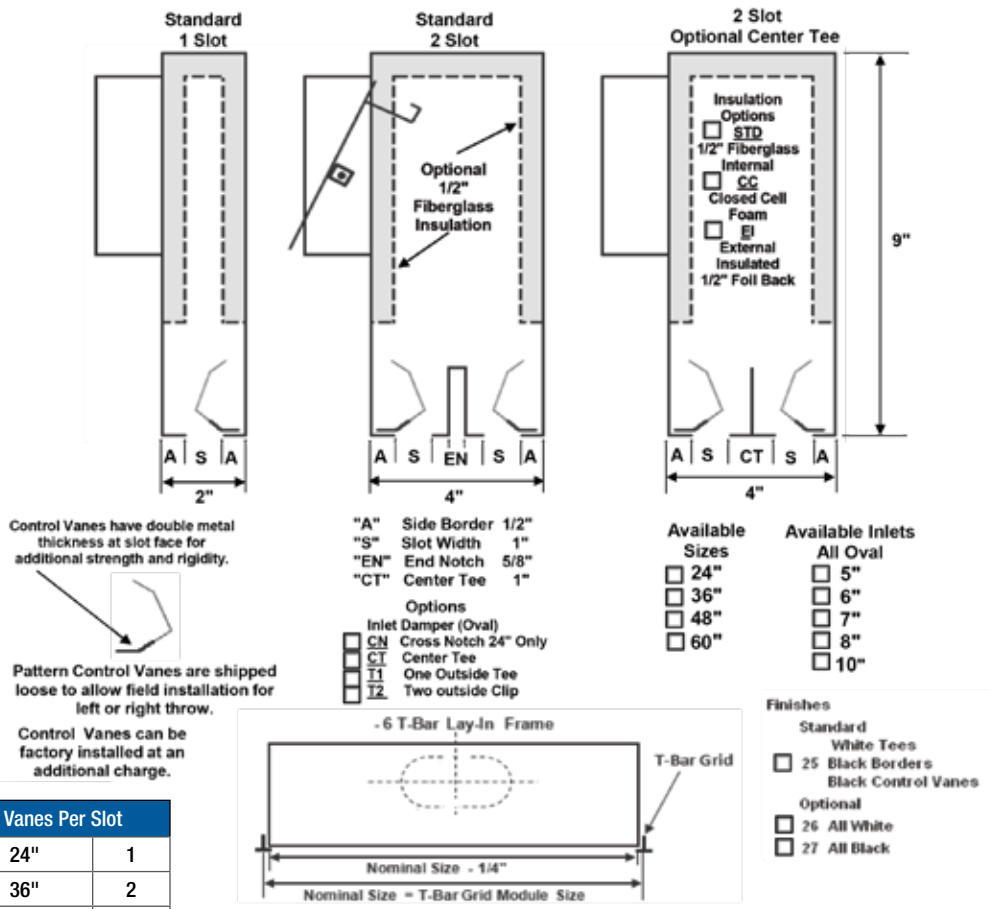
Diffusers shall be available with 1 or 2 slots. Discharge deflectors shall be integral with the diffuser housing and be fixed in one-way or two-way blow directions. Standard nominal lengths shall be 24", 36", 48" or 60". Units shall be constructed of corrosion resistant steel.

The inlet collar must have at least 1 1/2" depth for duct connection. The standard finish will be white.

Optional internal insulation shall be available. Factory furnished plaster frames and inlet dampers shall be available as optional accessories.

Performance Specification

The manufacturer shall provide published performance data. Data shall be tested in accordance to ANSI/ASHRAE Standard 70-2006.



Vanes Per Slot	
24"	1
36"	2
48"	2
60"	2

24 Gauge Galvannealed Steel. All Exposed Surfaces and Control Vanes are painted.

MODEL XG-PHPS-E

XG-PHP-E MODEL NUMBER SPECIFICATION PLENUM SLOT DIFFUSER

Model - Non-insulated		# of Slots	Slot Lengths	Inlets	Available Finishes				
XG-PHPS-E-6	1" Slot Width	1	24"	No Inlet	Standard				
XG-PHPS-E-9	1" Slot Width			2	36" 48" 60"	5" Oval	25	White Tee / Black Border	
						Optional			
						6" Oval	26	All White	
						7" Oval	27	All Black	
					8" Oval				
					10" Oval				

Model - Insulated		# of Slots	Slot Lengths	Inlets	Available Accessories			
XG-PHPSI-E-6	1" Slot Width	1	24"	No Inlet	ID	Inlet Damper		
XG-PHPSI-E-9	1" Slot Width			2	36" 48" 60"	5" Oval	PHP-E-TBPF	T-bar Plaster Frame
						EI	External Insulation	
						CC	Closed Cell Insulation	
						6" Oval		
						7" Oval		
						8" Oval		
					10" Oval			

SERIES XG-PHPS PERFORMANCE DATA
MODEL XG-PHPS-E

2' Length	1 Slot 6" Inlet	CFM	40	50	60	80	100	120
		Pt	.020	.040	.050	.090	.150	.210
		Throw	6	8	11	14	18	20
		NC	<20	<20	<20	23	30	33
	2 Slot 6" Inlet	CFM	75	100	125	150	175	200
		Pt	.000	.040	.060	.090	.120	.160
		Throw	6	8	11	14	16	18
		NC	<20	<20	<20	22	27	30
4' Length	1 Slot 6" Inlet	CFM	75	100	125	175	200	250
		Pt	.030	.050	.080	.150	.190	.280
		Throw	7	10	13	17	19	22
		NC	<20	<20	<20	29	32	36
	2 Slot 8" Inlet	CFM	150	200	250	300	350	400
		Pt	.030	.050	.070	.110	.150	.190
		Throw	7	10	12	15	17	19
		NC	<20	<20	<20	23	29	32
5' Length	1 Slot 8" Inlet	CFM	100	140	180	220	260	300
		Pt	.030	.060	.090	.130	.190	.250
		Throw	9	12	15	17	20	22
		NC	<20	<20	25	31	35	37
	2 Slot 10" Inlet	CFM	175	225	275	350	425	500
		Pt	.020	.030	.050	.080	.120	.160
		Throw	7	9	11	14	17	19
		NC	<20	<20	<20	25	30	34

PERFORMANCE NOTES FOR SERIES XG-PHPS-E
MODEL XG-PHPS-E

Performance data is based on tests performed at Donco Air Products and ETL Testing laboratories in accordance with ADC 1062 GRD - 84 Test Code.

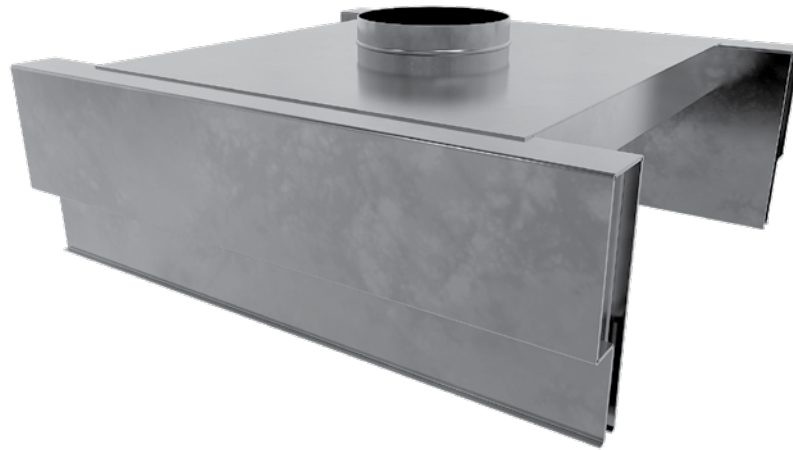
DEFINITION OF UNITS

Pt Total pressure (inches of water column)

Throw Distances in feet to terminal velocity of 50 fpm

Throw 1 and Throw 2 indicates number of slots throwing each direction on 3 slot, 2-way diffuser

NC Noise criterion, sound pressure level NC ratings are based on sound power level (Lw) re: 10⁻¹² watts minus a 10dB room attenuation in all octave bands



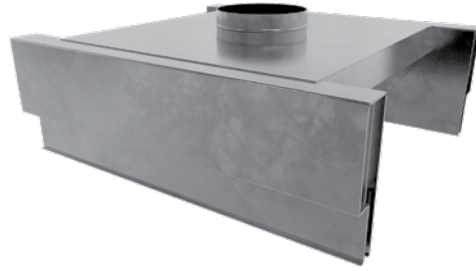
LIGHT TROFFER DIFFUSERS

Model XG-LT light troffer is designed with the flexibility to mount onto all air diffusion light fixtures. Each order is engineered to allow for a custom fit onto each light fixture. This ensures tight fit with the light fixture regardless of which lighting manufacturer has been selected.

PAGE 45

MODEL XG-LT

Single Sided Supply - Light Troffer Diffuser - T-bar Lay-in - Insulated/Non Insulated/Model XG-SS-LT(I)-6



Single sided supply light troffer diffusers shall be GREENHECK XG-SS-LT-6 (non-insulated) or XG-SSI-LT-6 (insulated). Light troffer diffusers shall be of the sizes as shown on the device schedule and shall be fabricated to fit the manufacturer and model of light fixture specified.

Diffuser shall be single sided with a side entrance inlet. Units shall be shipped fully assembled and include hold down tabs for positive alignment and locking the light troffer diffuser onto the slot of the light fixture.

Inlets shall be oval, centrally located, with a minimum depth of 2 1/8" for ease of duct connection. Light troffer diffusers shall be constructed of corrosion resistant galvanized steel.

Diffuser face shall be black.

Insulated diffusers shall be model XG-SSI-LT-6. Internal Insulation shall be 1/2" thick matte face. External insulation shall be 1/2" thick with a vapor barrier.

Material return should be model XG-SSRI-LT-6, insulated or model XG-SSR-LT-6, non-insulated.

Double Sided Supply - Side/Top Inlet - Light Troffer Diffuser - T-bar Lay-in - Insulated/Non Insulated/Model XG-DS-LT(I)-6

Double sided supply light troffer diffusers shall be GREENHECK XG-DS-LT-6 or XG-DST-LT-6 (non-insulated) or XG-DSI-LT-6 or XG-DSTI-LT-6 (insulated). Light troffer diffusers shall be of the sizes as shown on the device schedule and shall be fabricated to fit the manufacturer and model of light fixture specified.

Diffusers shall be double sided and be available with either a top or side entrance inlet. Units shall be shipped fully assembled and include hold down tabs for positive alignment and locking the light troffer diffuser onto the slot of the light fixture.

Side inlets shall be oval; top inlets shall be round.

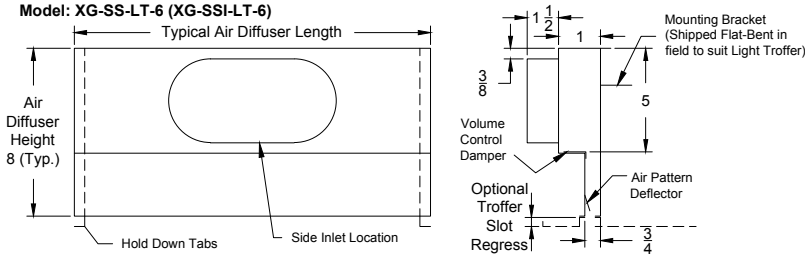
Inlets shall be centrally located, with a minimum depth of 2 1/8" for ease of duct connection. Light troffer diffusers shall be constructed of corrosion resistant galvanized steel.

Diffuser face shall be black.

Insulated diffusers shall be model XG-DSI-LT-6 or XG-DSTI-LT-6. Internal insulation shall be 1/2" thick matte face. External insulation shall be 1/2" thick with a vapor barrier

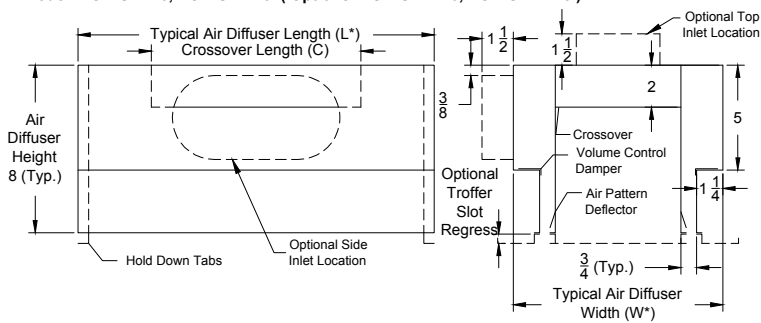
MODEL XG-LT

Model: XG-SS-LT-6 (XG-SSI-LT-6)



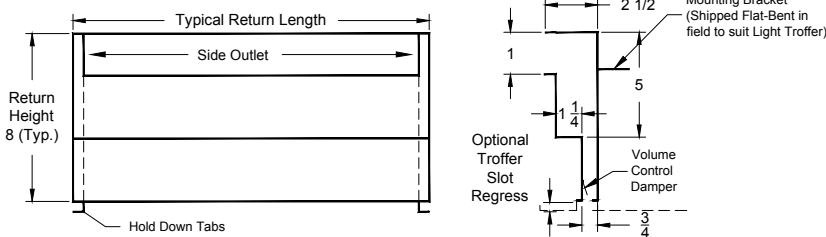
Nominal Light Troffer Lengths	Typical Return Length
24	17
36	25 3/4
48	40

Model: XG-DS-LT-6, XG-DSI-LT-6 (Options: XG-DST-LT-6, XG-DSTI-LT-6)



Nominal Light Troffer Lengths (Width x Length)	Typical Air Diffuser Dimensions		
	W"	L"	C
12 x 48	12	40	18
24 x 24	24	17	12
24 x 48	24	40	18
36 x 36	36	25 3/4	18

Model: XG-SSR-LT-6 (XG-SSRI-LTI-6)



Nominal Light Troffer Lengths	Typical Return Length
24	17
36	25 3/4
48	40

XG-LT — MODEL NUMBER SPECIFICATION

LIGHT TROFFER DIFFUSER

Single Sided Supply		Inlets	Module	Available Finishes	
XG-SS-LT-6	Non-insulated	4"	24" x 24"	Standard	
XG-SS-LT-6	Insulated			27	All Black

Single Sided Return		Inlets	Module	Available Accessories	
XG-SSR-LT-6	Non-insulated	6"	48" x 48"	LQ	Locking Quadrant Damper
XG-SSE-LT-6	Insulated	7"		CC	Thermopure Insulation

Double Sided Side Inlet		Inlets	Module
XG-DS-LT-6	Non-insulated	4"	24" x 24"
XG-DS-LT-6	Insulated	5"	36" x 36"
		6"	48" x 48"
		7"	12" x 48"
Double Sided Top Inlet			
XG-DST-LT-6	Non-insulated		24" x 48"
XG-DSTI-LT-6	Insulated		

SERIES XG-SS-LT PERFORMANCE DATA
MODEL XG-SS-LT/SSI-LT

		CFM/LF	10	15	20	25	30	35	40	50	
2' Length	5" Inlet	Horizontal	CFM	20	30	40	50	60	70	80	100
			Ps	.020	.045	.081	.126	.182	.247	.323	.504
			Pt	.022	.048	.086	.134	.104	.264	.344	.538
		Throw	2-3-6	3-5-9	4-6-11	5-8-12	6-9-13	7-10-14	9-11-15	10-12-17	
		NC	<15	<15	15	22	28	33	37	44	
		Vertical	CFM	20	30	40	50	60	70	80	100
	Ps		.020	.045	.081	.126	.182	.247	.323	.504	
	Pt		.022	.048	.086	.134	.194	.264	.344	.538	
	Throw		1-2-4	2-3-5	2-4-7	3-4-8	4-5-9	4-6-9	5-7-10	6-8-11	
	NC		<15	<15	15	22	28	33	37	44	
	6" Inlet	Horizontal	CFM	20	30	40	50	60	70	80	100
			Ps	.019	.043	.077	.121	.174	.237	.309	.483
			Pt	.020	.045	.080	.125	.180	.245	.320	.499
			Throw	2-3-6	3-5-9	4-6-11	5-8-12	6-9-13	7-10-14	9-11-15	10-12-17
NC			<15	<15	15	22	28	33	37	44	
Vertical		CFM	20	30	40	50	60	70	80	100	
		Ps	.019	.043	.077	.121	.174	.237	.309	.483	
		Pt	.020	.045	.080	.125	.180	.245	.320	.499	
		Throw	1-2-4	2-3-5	2-4-7	3-4-8	4-5-9	4-6-9	5-7-10	6-8-11	
		NC	<15	<15	15	22	28	33	37	44	
3' Length	5" Inlet	Horizontal	CFM	30	45	60	75	90	105	120	-
			Ps	.024	.053	.095	.148	.213	.290	.379	-
			Pt	.027	.060	.107	.167	.240	.327	.427	-
			Throw	1-2-7	2-5-10	4-7-12	5-8-13	7-10-15	8-11-16	9-12-17	-
			NC	<15	<15	18	25	31	37	42	-
		Vertical	CFM	30	45	60	75	90	105	120	-
			Ps	.021	.048	.085	.133	.192	.261	.341	-
			Pt	.024	.055	.097	.152	.219	.298	.390	-
			Throw	1-2-4	2-3-6	3-4-8	3-5-9	4-6-10	5-7-11	5-8-12	-
			NC	<15	<15	18	25	31	37	42	-
	6" Inlet	Horizontal	CFM	30	45	60	75	90	105	120	-
			Ps	.024	.053	.095	.148	.213	.290	.379	-
			Pt	.025	.057	.100	.157	.226	.308	.402	-
			Throw	1-2-7	2-5-10	4-7-12	5-8-13	7-10-15	8-11-16	9-12-17	-
NC			<15	<15	18	25	31	37	42	-	
Vertical		CFM	30	45	60	75	90	105	120	-	
		Ps	.021	.048	.085	.133	.192	.261	.341	-	
		Pt	.023	.051	.091	.142	.205	.279	.365	-	
		Throw	1-2-4	2-3-6	3-4-8	3-5-9	4-6-10	5-7-11	5-8-12	-	
NC	<15	<15	18	25	31	37	42	-			

PLENUM SLOT
DIFFUSERS

LIGHT TROFFER DIFFUSERS

XG-LT

SERIES XG-SS-LT PERFORMANCE DATA
MODEL XG-SS-LT/SSI-LT

		CFM/LF	10	15	20	25	30	35	40	50	
4' Length	5" Inlet	Horizontal	CFM	40	60	80	100	120	140	-	-
			Ps	.028	.062	.111	.173	.250	.340	-	-
			Pt	.033	.075	.132	.207	.298	.406	-	-
			Throw	1-2-6	2-4-9	4-6-10	5-7-12	6-9-13	7-10-14	-	-
			NC	<15	<15	23	30	37	44	-	-
		Vertical	CFM	40	60	80	100	120	140	-	-
			Ps	.026	.059	.105	.164	.236	.321	-	-
			Pt	.032	.071	.126	.197	.284	.387	-	-
			Throw	1-2-4	2-3-6	3-4-8	3-5-8	4-6-9	5-7-10	-	-
			NC	<15	<15	23	30	37	44	-	-
	6" Inlet	Horizontal	CFM	40	60	80	100	120	140	-	-
			Ps	.028	.062	.111	.173	.250	.340	-	-
			Pt	.030	.068	.121	.190	.273	.372	-	-
			Throw	1-2-6	2-4-9	4-6-10	5-7-12	6-9-13	7-10-14	-	-
NC			<15	<15	23	30	37	44	-	-	
Vertical		CFM	40	60	80	100	120	140	-	-	
		Ps	.026	.059	.105	.164	.236	.321	-	-	
		Pt	.029	.065	.115	.180	.259	.352	-	-	
		Throw	1-2-4	2-3-6	3-4-8	3-5-8	4-6-9	5-7-10	-	-	
		NC	<15	<15	23	30	37	44	-	-	

SERIES XG-DS-LT PERFORMANCE DATA
MODEL ZG-DS-LT/ZG-DSI-LT - TOP INLET

W x L		CFM/LF	15	20	25	30	35	40	45	50	55	60	
2' x 2'	5" Inlet	Horizontal	CFM	30	40	50	60	70	80	90	100	110	120
			Ps	.014	.026	.040	.057	.078	.102	.129	.160	.193	.230
			Pt	.017	.031	.048	.070	.095	.124	.156	.193	.234	.278
		Throw	0-1-2	0-1-3	1-2-4	1-2-4	1-3-5	2-3-6	2-3-7	2-4-7	3-4-8	3-4-9	
		NC	<15	<15	<15	<15	17	21	25	28	32	36	
		Vertical	CFM	30	40	50	60	70	80	90	100	110	120
	Ps		.014	.026	.040	.057	.078	.102	.129	.160	.193	.230	
	Pt		.017	.031	.048	.070	.095	.124	.156	.193	.234	.278	
	Throw		1-1-3	1-2-4	1-3-5	2-3-7	3-4-8	3-4-8	3-5-9	4-5-9	4-6-10	4-7-10	
	NC		<15	<15	<15	<15	17	21	25	28	32	36	
	6" Inlet		Horizontal	CFM	30	40	50	60	70	80	90	100	110
		Ps		.013	.024	.037	.054	.073	.096	.121	.150	.181	.216
		Pt		.015	.027	.042	.060	.081	.106	.135	.156	.201	.239
		Throw		0-1-2	0-1-3	1-2-4	1-2-4	1-3-5	2-3-6	2-3-7	2-4-7	3-4-8	3-4-9
		NC		<15	<15	<15	<15	17	21	25	28	32	36
		Vertical		CFM	30	40	50	60	70	80	90	100	110
			Ps	.013	.024	.037	.054	.073	.096	.121	.159	.161	.216
			Pt	.015	.027	.042	.060	.081	.106	.135	.168	.201	.239
Throw			1-1-3	1-2-4	1-3-5	2-3-7	3-4-8	3-4-8	3-5-9	4-5-9	4-6-10	4-7-10	
NC			<15	<15	<15	<15	17	21	25	28	32	36	
5" Inlet			Horizontal	CFM	45	60	75	90	105	120	135	150	165
		Ps		.017	.030	.048	.069	.093	.122	.154	.191	.231	.274
	Pt	.024		.043	.067	.096	.130	.170	.215	.266	.322	.383	
	Throw	0-1-4		1-2-5	1-2-6	2-4-7	2-4-8	3-5-10	4-5-10	4-6-11	4-7-11	5-7-12	
	NC	<15		<15	<15	16	21	25	29	32	35	37	
	Vertical	CFM		45	60	75	90	105	120	135	150	165	180
		Ps	.017	.030	.048	.069	.093	.122	.154	.191	.231	.274	
		Pt	.024	.043	.067	.096	.130	.170	.215	.266	.322	.383	
		Throw	0-1-3	1-2-4	1-2-5	2-3-7	2-4-7	3-4-8	3-5-8	4-5-9	4-6-9	4-7-9	
		NC	<15	<15	<15	16	21	25	29	32	35	37	
		6" Inlet	Horizontal	CFM	45	60	75	90	105	120	135	150	165
	Ps			.015	.027	.042	.061	.083	.108	.137	.169	.205	.244
Pt	.019			.033	.051	.074	.101	.132	.167	.206	.249	.296	
Throw	0-1-4			1-2-5	1-2-6	2-4-7	2-4-8	3-5-10	4-5-10	4-6-11	4-7-11	5-7-12	
NC	<15			<15	<15	16	21	25	29	32	35	37	
Vertical	CFM			45	60	75	90	105	120	135	150	165	180
	Ps		.015	.027	.042	.061	.083	.108	.137	.169	.205	.244	
	Pt		.019	.033	.051	.074	.101	.132	.167	.206	.249	.296	
	Throw		0-1-3	1-2-4	1-2-5	2-3-7	2-4-7	3-4-8	3-5-8	4-5-9	4-6-9	4-7-9	
	NC		<15	<15	<15	16	21	25	29	32	35	37	

PLENUM SLOT
DIFFUSERS

LIGHT TROFFER DIFFUSERS

XG-LT

SERIES XG-DS-LT PERFORMANCE DATA
MODEL XG-DS-LT/XG-DSI-LT - TOP INLET

W x L		CFM/LF	15	20	25	30	35	40	45	50	55	60	
4' x 4'	5" Inlet	Horizontal	CFM	60	80	100	120	140	160	180	200	220	-
			Ps	.023	.042	.065	.094	.127	.166	.210	.260	.314	-
			Pt	.035	.063	.099	.142	.193	.252	.319	.394	.477	-
			Throw	1-2-4	2-3-5	2-3-7	3-4-8	3-5-8	4-5-9	4-6-9	4-7-10	5-7-10	-
			NC	<15	<15	16	21	26	30	33	37	41	-
	Vertical	CFM	60	80	100	120	140	160	180	200	220	-	
		Ps	.023	.042	.065	.094	.127	.166	.210	.260	.314	-	
		Pt	.035	.063	.099	.142	.193	.252	.319	.394	.477	-	
		Throw	0-1-4	1-2-5	1-2-6	2-4-6	2-4-7	3-5-7	4-5-8	4-6-8	4-6-8	-	
		NC	<15	<15	16	21	26	30	33	37	41	-	
2' x 4'	6" Inlet	Horizontal	CFM	60	80	100	120	140	160	180	200	220	-
			Ps	.021	.037	.058	.083	.113	.148	.187	.231	.280	-
			Pt	.027	.047	.074	.107	.145	.189	.240	.296	.358	-
			Throw	1-2-4	2-3-5	2-3-7	3-4-8	3-5-8	4-5-9	4-6-9	4-7-10	5-7-10	-
			NC	<15	<15	16	21	26	30	33	37	41	-
	Vertical	CFM	60	80	100	120	140	160	180	200	220	-	
		Ps	.021	.037	.058	.083	.113	.148	.187	.231	.280	-	
		Pt	.027	.047	.074	.107	.145	.189	.240	.296	.358	-	
		Throw	0-1-4	1-2-5	1-2-6	2-4-6	2-4-7	3-5-7	4-5-8	4-6-8	4-6-8	-	
		NC	<15	<15	16	21	26	30	33	37	41	-	
1' x 4'	6" Inlet	Horizontal	CFM	60	80	100	120	140	160	180	200	220	-
			Ps	.021	.037	.058	.083	.113	.148	.187	.231	.280	-
			Pt	.027	.047	.074	.107	.145	.189	.240	.296	.358	-
			Throw	1-2-4	2-3-5	2-3-7	3-4-8	3-5-8	4-5-9	4-6-9	4-7-10	5-7-10	-
			NC	<15	<15	16	21	26	30	33	37	41	-
	Vertical	CFM	60	80	100	120	140	160	180	200	220	-	
		Ps	.021	.037	.058	.083	.113	.148	.187	.231	.280	-	
		Pt	.027	.047	.074	.107	.145	.189	.240	.296	.358	-	
		Throw	0-1-4	1-2-5	1-2-6	2-4-6	2-4-7	3-5-7	4-5-8	4-6-8	4-6-8	-	
		NC	<15	<15	16	21	26	30	33	37	41	-	

SERIES XG-DS-LT PERFORMANCE DATA
MODEL XG-DS-LT/XG-DSI-LT - SIDE INLET

W x L		CFM/LF	15	20	25	30	35	40	45	50	55	60	
2' x 2'	5" Inlet	Horizontal	CFM	30	40	50	60	70	80	90	100	110	120
			Ps	.016	.029	.046	.066	.089	.117	.148	.182	.221	.263
			Pt	.019	.035	.054	.078	.106	.138	.175	.216	.261	.311
			Throw	0-1-2	0-1-4	1-2-6	1-2-9	1-3-10	2-4-11	2-5-11	3-6-12	3-7-13	4-9-13
			NC	<15	<15	<15	<15	17	22	26	29	32	36
		Vertical	CFM	30	40	50	60	70	80	90	100	110	120
			Ps	.016	.029	.046	.066	.089	.117	.148	.182	.221	.263
			Pt	.019	.035	.054	.078	.106	.138	.175	.216	.261	.311
			Throw	1-1-3	1-2-4	2-3-5	2-3-6	2-4-7	3-4-8	3-5-8	3-5-9	4-6-9	4-6-10
			NC	<15	<15	<15	<15	17	22	26	29	32	36
	6" Inlet	Horizontal	CFM	30	40	50	60	70	80	90	100	110	120
			Ps	.014	.025	.040	.057	.078	.102	.129	.159	.193	.229
			Pt	.016	.028	.044	.063	.086	.112	.142	.175	.212	.253
			Throw	0-1-2	0-1-4	1-2-6	1-2-9	1-3-10	2-4-11	2-5-11	3-6-12	3-7-13	4-9-13
			NC	<15	<15	<15	<15	17	22	26	29	32	36
		Vertical	CFM	30	40	50	60	70	80	90	100	110	120
			Ps	.014	.025	.040	.057	.078	.102	.129	.159	.193	.229
			Pt	.016	.028	.044	.063	.086	.112	.142	.175	.212	.253
Throw			1-1-3	1-2-4	2-3-5	2-3-6	2-4-7	3-4-8	3-5-8	.221	4-6-9	4-6-10	
NC			<15	<15	<15	<15	17	22	26	29	32	36	
3' x 3'	5" Inlet	Horizontal	CFM	45	60	75	90	105	120	135	150	165	180
			Ps	.021	.038	.059	.085	.115	.150	.190	.235	.284	.339
			Pt	.028	.050	.078	.112	.152	.199	.252	.311	.376	.447
			Throw	0-1-4	1-2-5	1-2-6	2-4-7	2-4-8	3-5-9	4-5-11	4-6-11	4-6-12	5-7-12
			NC	<15	<15	<15	19	24	28	31	34	36	39
		Vertical	CFM	45	60	75	90	105	120	135	150	165	180
			Ps	.021	.038	.059	.085	.115	.150	.190	.235	.284	.339
			Pt	.028	.050	.078	.112	.152	.199	.252	.311	.376	.447
			Throw	0-1-4	1-2-5	1-2-6	2-4-7	2-4-8	3-5-10	4-5-11	4-6-12	4-7-12	5-7-13
			NC	<15	<15	<15	19	24	28	31	34	36	39
	6" Inlet	Horizontal	CFM	45	60	75	90	105	120	135	150	165	180
			Ps	.018	.033	.051	.074	.100	.131	.166	.205	.248	.295
			Pt	.022	.039	.060	.087	.118	.154	.195	.241	.292	.347
			Throw	0-1-4	1-2-5	1-2-6	2-4-7	2-4-8	3-5-9	4-5-11	4-6-11	4-6-12	5-7-12
			NC	<15	<15	<15	19	24	28	31	34	36	39
		Vertical	CFM	45	80	75	90	105	120	135	150	165	180
			Ps	.018	.033	.051	.074	.100	.131	.166	.205	.248	.295
			Pt	.022	.039	.060	.087	.118	.154	.195	.241	.292	.347
Throw			0-1-4	1-2-5	1-2-6	2-4-7	2-4-8	3-5-10	4-5-11	4-6-12	4-7-12	5-7-13	
NC			<15	<15		19	24	28	31	34	36	39	

PLENUM SLOT
DIFFUSERS

LIGHT TROFFER DIFFUSERS

XG-LT

SERIES XG-DS-LT PERFORMANCE DATA
MODEL XG-DS-LT/XG-DSI-LT - SIDE INLET

W x L		CFM/LF	15	20	25	30	35	40	45	50	55	60		
4' x 4'	5" Inlet	Horizontal	CFM	60	80	100	120	140	160	180	200	-	-	
			Ps	.031	.056	.087	.125	.171	.223	.282	.349	-	-	
			Pt	.043	.077	.121	.174	.237	.309	.391	.483	-	-	
			Throw	1-2-3	1-2-4	2--3-5	2-3-6	2-4-7	3-4-8	3-5-9	3-5-10	-	-	
			NC	<15	<15	20	25	29	33	37	41	-	-	
	Vertical	CFM	60	80	100	120	140	160	180	200	-	-		
		Ps	.031	.056	.087	.125	.171	.223	.282	.349	-	-		
		Pt	.043	.077	.121	.174	.237	.309	.391	.483	-	-		
		Throw	0-1-2	0-1-4	1-1-6	1-2-6	1-3-7	2-4-7	2-5-8	3-6-8	-	-		
		NC	<15	<15	20	25	29	33	37	41	-	-		
	2' x 4'	6" Inlet	Horizontal	CFM	60	80	100	120	140	160	180	200	-	-
				Ps	.026	.046	.072	.103	.141	.184	.233	.287	-	-
Pt				.032	.056	.088	.127	.172	.225	.285	.352	-	-	
Throw				1-2-3	1-2-4	2-3-5	2-3-6	2-4-7	3-4-8	3-5-9	3-5-10	-	-	
NC				<15	<15	20	25	29	33	37	41	-	-	
Vertical		CFM	60	80	100	120	140	160	180	200	-	-		
		Ps	.026	.046	.072	.103	.141	.184	.233	.287	-	-		
		Pt	.032	.056	.088	.127	.172	.225	.285	.352	-	-		
		Throw	0-1-2	0-1-4	1-1-6	1-2-6	1-3-7	2-4-7	2-5-8	3-6-8	-	-		
		NC	<15	<15	20	25	29	33	37	41	-	-		
1' x 4'		6" Inlet	Horizontal	CFM	60	80	100	120	140	160	180	200	-	-
				Ps	.026	.046	.072	.103	.141	.184	.233	.287	-	-
	Pt			.032	.056	.088	.127	.172	.225	.285	.352	-	-	
	Throw			1-2-3	1-2-4	2-3-5	2-3-6	2-4-7	3-4-8	3-5-9	3-5-10	-	-	
	NC			<15	<15	20	25	29	33	37	41	-	-	
	Vertical	CFM	60	80	100	120	140	160	180	200	-	-		
		Ps	.026	.046	.072	.103	.141	.184	.233	.287	-	-		
		Pt	.032	.056	.088	.127	.172	.225	.285	.352	-	-		
		Throw	0-1-2	0-1-4	1-1-6	1-2-6	1-3-7	2-4-7	2-5-8	3-6-8	-	-		
		NC	<15	<15	20	25	29	33	37	41	-	-		

PERFORMANCE NOTES FOR SERIES XG-PHP
MODEL XG-DS-LT

All data is tested in accordance with ANSI/ASHRAE 70-2006.

DEFINITION OF UNITS

Pt Total pressure (inches of water column)

Throw Isothermal throw (supply air temperature the same as average room temperature); values are for 150, 100 and 50fpm velocities

NC Noise criterion, sound pressure level NC ratings are based on sound power level (Lw) re: 10⁻¹² watts minus a 10dB room attenuation in all octave bands

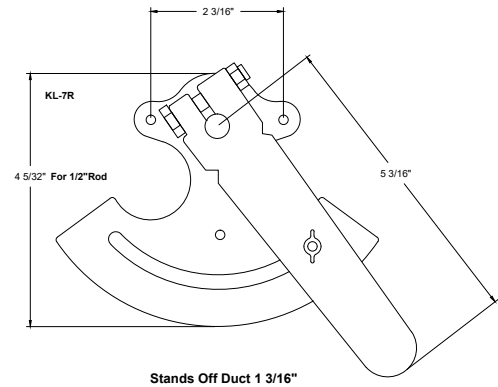
PLENUM SLOT DIFFUSER ACCESSORIES

Model XG-LQ Locking Quadrant Damper

Model XG-PHP-TBPF Mounting frame can be used in a sheetrock or plaster ceiling.
The frame is shipped separately and is mounted in the ceiling by others.

MODEL XG-LQ

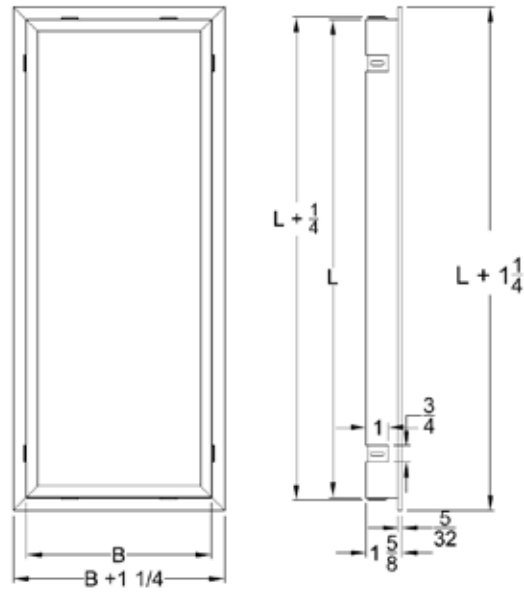
- The locking quadrant is stamped of heavy gauge steel and clearly indicates the position of the damper. The quadrant handle locks the shaft of the damper using a friction device strong enough to cut into the damper shaft eliminating damper rattle.



MODEL XG-PHP-TBPF

Plaster frames permit installation of T-bar frame style plenum slot diffusers into plaster frames or gypsum ceilings.

- Converts T-bar frame to Surface Mount
- Available in standard T-bar sizes



Models	"L"	"B"			
		1 Slot	2 Slots	3 Slots	4 Slots
XG-PHP-TBPF-50	24, 36, 48, 60	1 3/4	3 1/4	4 3/4	6 1/4
XG-PHP-TBPF-75	24, 36, 48, 60	2	3 3/4	5 1/2	7 1/4
XG-PHP-TBPF-10	24, 36, 48, 60	2 1/4	4 1/4	6 1/4	8 1/4
XG-PHP-TBPF-15	24, 36, 48, 60	2 3/4	5 1/4	7 3/4	10 1/4

Design and Selection Support

Enjoy Greenheck's extraordinary service, before, during and after the sale.

Greenheck offers added value to our wide selection of top performing, energy-efficient products by providing several unique service programs.



Our Quick Delivery program ensures shipment of in-stock products within 24 hours of placing your order. Our Quick Build made-to-order products are manufactured in 1-3-5-10-15 or 25-day production cycles, depending upon its complexity.



Greenheck's free computer aided product selection program CAPS®, rated by many as the best in the industry, helps you conveniently and efficiently select the right products for the challenge at hand.



Our 3D service allows you to download, at no charge, easy-to-use AutoDesk® Revit® 3D drawings for many of our ventilation products.

Find out more about these special services at greenheck.com



Building Value in Air

Greenheck delivers value to mechanical engineers by helping them solve virtually any air quality challenges their clients face with a comprehensive selection of

top quality, innovative air-related equipment. We offer extra value to contractors by providing easy-to-install, competitively priced, reliable products that arrive on time.

And building owners and occupants value the energy efficiency, low maintenance and quiet dependable operation they experience long after the construction project ends.

Our Commitment

As a result of our commitment to continuous improvement, Greenheck reserves the right to change specifications without notice.

Specific Greenheck product warranties are located on greenheck.com within the product area tabs and in the Library under Warranties.

