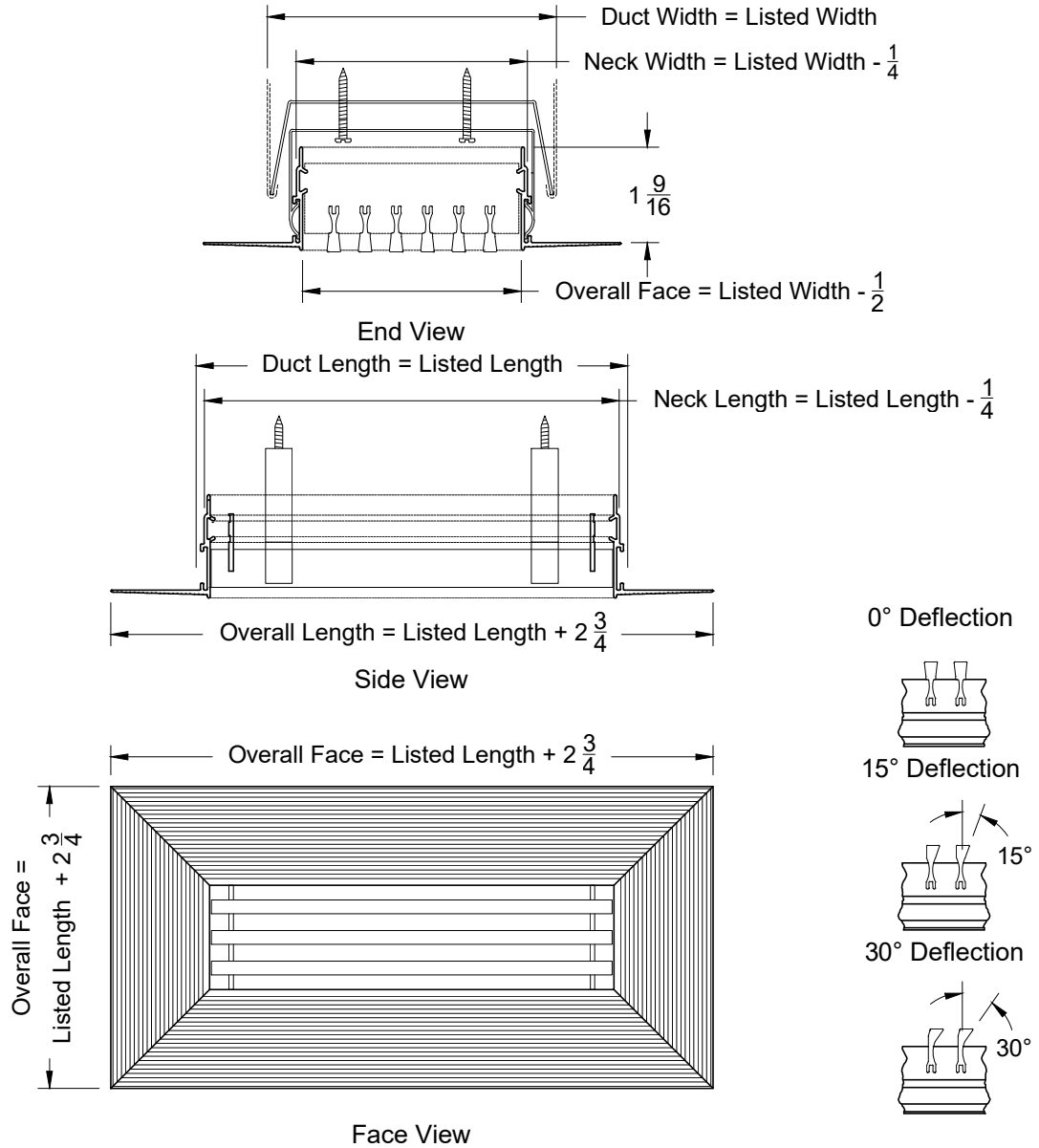


Model: XG-2000TS      1 5/8" Border - 7/32" Bars on 1/2" Centers - 0°, 15°, and 30° Deflection Blades

### XG-2000TS - Tape and Spackle



1. Available Finishes	2. Available Accessories	3. Available Options	4. Construction Details
Standard Finish: 01 White 02 Satin Silver 03 Black 24 Mill Finish 28 - Special / Setup Charge	L9 - Equalizing Grid DA - Aluminum Damper	FSM - Face Screw Mount DA - Damper Model AD - Access Door	<ul style="list-style-type: none"> <li>• Dampers: Widths 4" and larger use an Opposed Blade Damper Widths 3-1/2" and smaller use a Flapper Style Damper</li> </ul> <p style="text-align: right;">All Dimensions <math>\pm 1/16"</math></p>