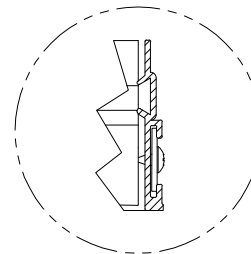
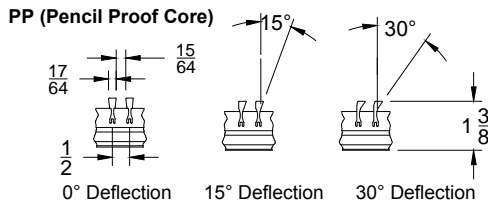
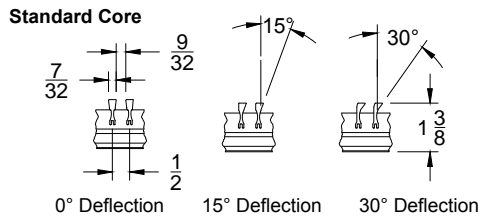
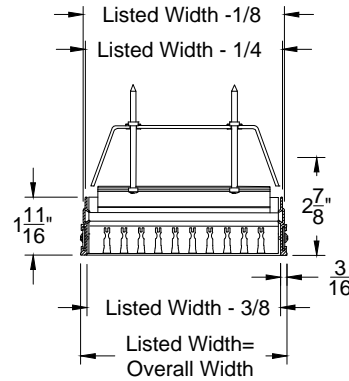
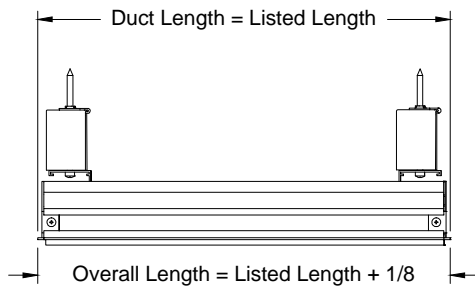
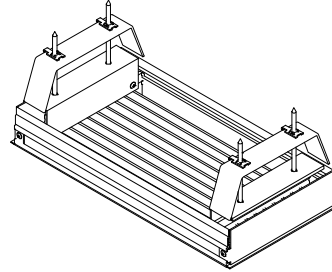


### Linear Bar Grilles - Fixed Core - 1/2" Centers Extruded Aluminum - Non Flange Concealed Mounting/Ceiling/Side Wall

Models: XG-2200H 0° Deflection - 7/32" Bars - Ceiling/Wall  
 XG-2215H 15° Deflection - 7/32" Bars - Ceiling/Wall  
 XG-2230H 30° Deflection - 7/32" Bars - Ceiling/Wall



Notes:  (check if provided)

1. Available Finishes	2. Available Accessories	3. Available Options	4. Construction Details
<b>Standard Finish:</b> 01 White. <b>Optional Finish (Extra Charge):</b> 02 Satin Silver 03 Black 04 Clear Anodized 28 Special Color/Setup Charge			<ul style="list-style-type: none"> <li>Widths available in 1/2" increments from 1 1/2" to 8 for Series 2200H.</li> <li>Length available in single pieces up to 72".</li> <li>Longer sections are available only as separate non-connected sections.</li> <li>Core welded in place.</li> </ul>