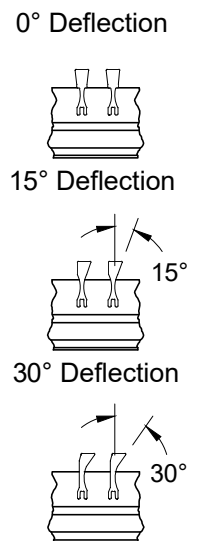
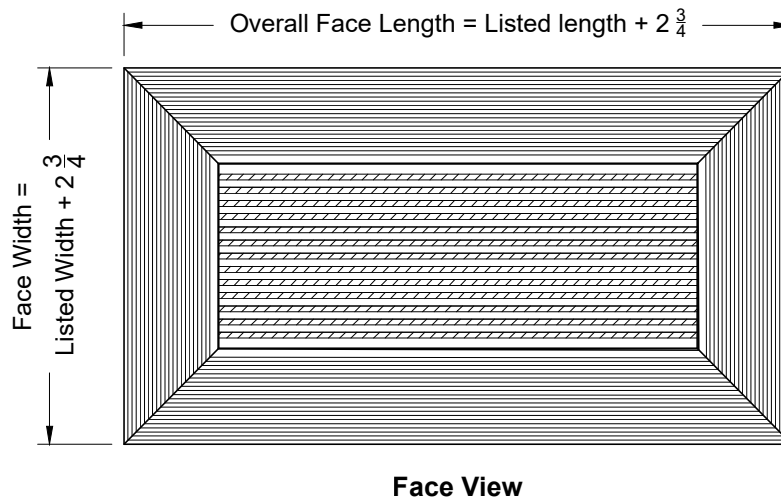
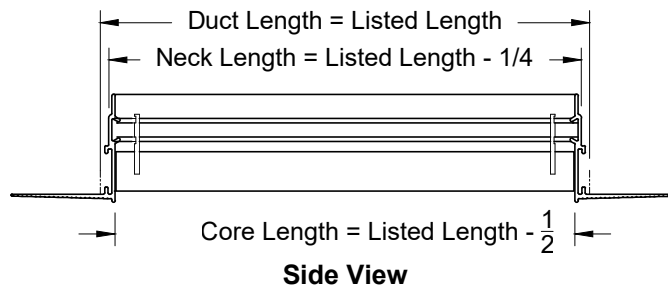
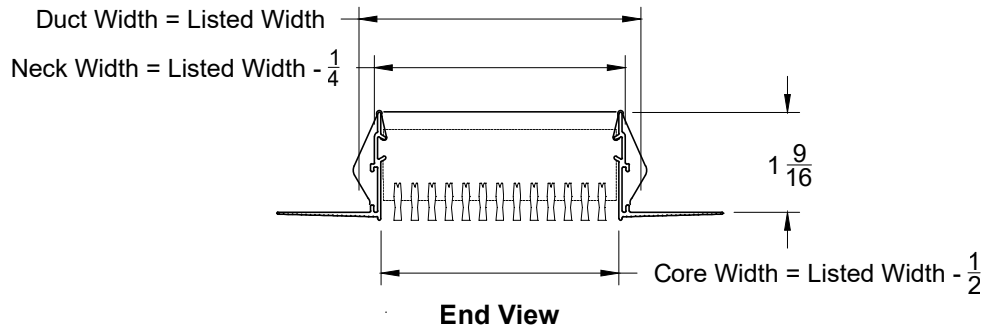


Model: XG-2300TS 1/8" Bars on 1/4" Centers - 0°, 15° and 30° Deflection - Plaster Wall and Ceiling

XG-2300TS - Tape and Spackle



1. Available Finishes	2. Available Accessories	3. Available Options	4. Construction Details
Standard Finish: 01 White Optional Finish No Extra Charge 24 Mill Finish Optional Finish (extra charge) 02 Satin Silver 03 Black 04 Clear Anodized 28 - Special/Setup Charge	L9 - Equalizing Grid DA - Aluminum Damper	Dampers: Widths 4" and larger use an Opposed Blade Damper Widths 3-1/2" and smaller use a Flapper Style Damper	<ul style="list-style-type: none"> Extruded Aluminum <p style="text-align: right;">All Dimensions $\pm 1/16"$</p>