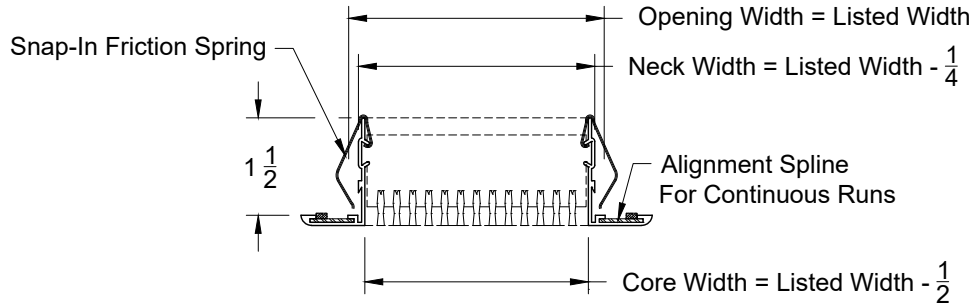
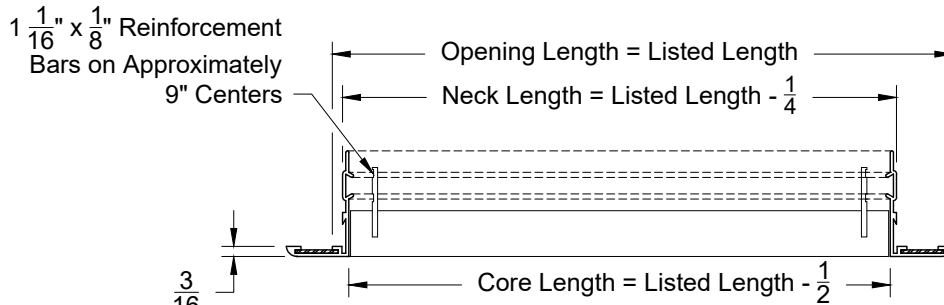


Model: XG-2300 1/8" Bars on 1/4" Center - 0°, 15° and 30° Deflection - Wall Mounted

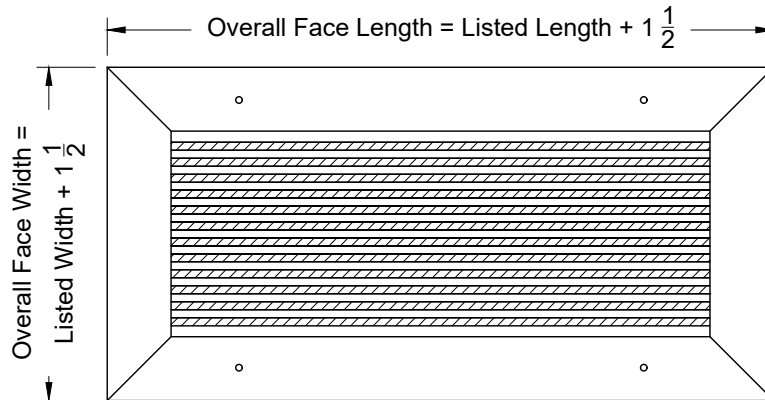
XG-2300 - Wall Mounted



End View

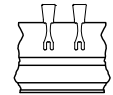


Side View

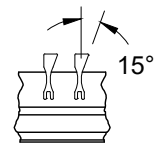


Face View

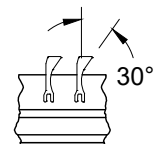
0° Deflection



15° Deflection



30° Deflection



1. Available Finishes

- Standard Finish:
- 01 White
- Optional Finish No Extra Charge
- 24 Mill Finish
- Optional Finish:
- 02 Satin Silver
- 03 Black
- 04 Clear Anodized
- 28 Special/Setup Charge

2. Available Accessories

- XG-L9 - Equalizing Grid
- XG-DA - Aluminum Damper
- Dampers:
- Widths 4" and larger use an Opposed Blade Damper
- Widths 3-1/2" and smaller use a Flapper Style Damper

3. Available Options

- FSM - Face Screw Mount
- AD1 - 1 Access Door minimum width 14"
- AD2 - 2 Access Doors minimum width 28"

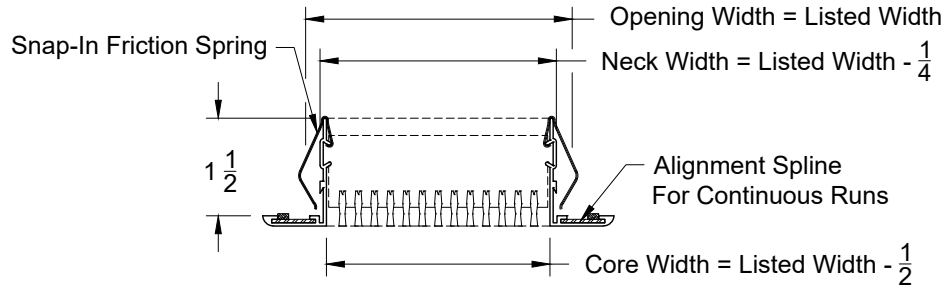
4. Construction Details

- 0, 15, 30 degree deflection available
- Extruded Aluminum construction
- Widths available in 1/2" increments from 1 1/2" to 24"
- Lengths available in single pieces up to 72".
- Longer sections are available only as separate non-connected sections.

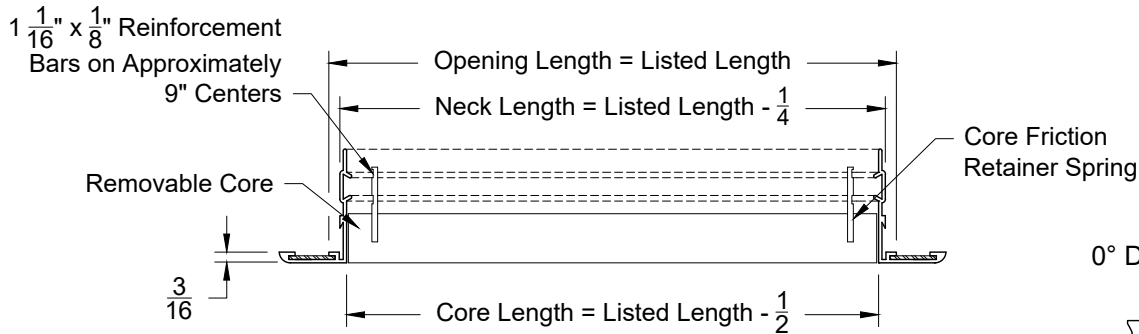
All Dimensions ±1/16"

Model: XG-2300F 1/8" Bars on 1/4" Center - 0°, 15° and 30° Deflection - Floor / Sill / Sidewall Mounted

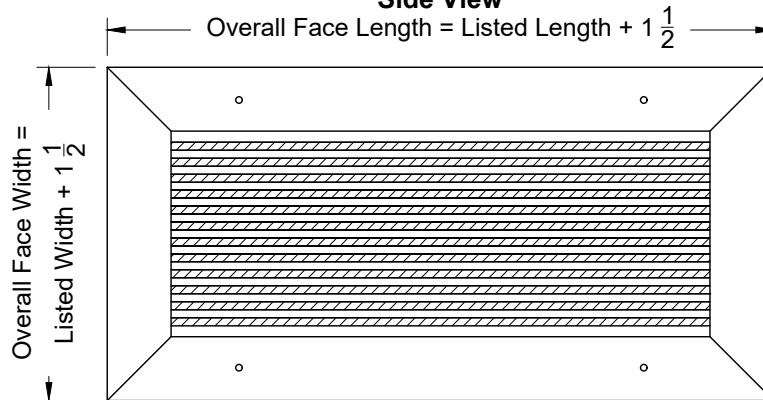
XG-2300F - Spring Clip Floor Mounted



End View

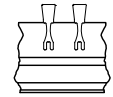


Side View

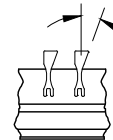


Face View

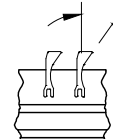
0° Deflection



15° Deflection



30° Deflection



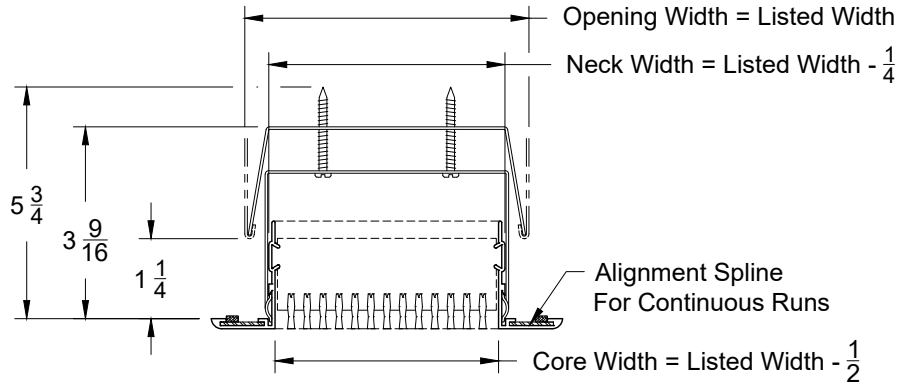
1. Available Finishes	2. Available Accessories	3. Available Options	4. Construction Details
Standard Finish: 01 White Optional Finish No Extra Charge 24 Mill Finish Optional Finish: 02 Satin Silver 03 Black 04 Clear Anodized 28 Special/Setup Charge	XG-L9 - Equalizing Grid XG-DA - Aluminum Damper Dampers: Widths 4" and larger use an Opposed Blade Damper Widths 3-1/2" and smaller use a Flapper Style Damper	FSM - Face Screw Mount AD1 - 1 Access Door minimum width 14" AD2 - 2 Access Doors minimum width 28"	<ul style="list-style-type: none"> • 0, 15, 30 degree deflection available • Extruded Aluminum construction • Widths available in 1/2" increments from 1 1/2" to 24" • Lengths available in single pieces up to 72". • Longer sections are available only as separate non-connected sections.

All Dimensions ±1/16"

Model: XG-2300H

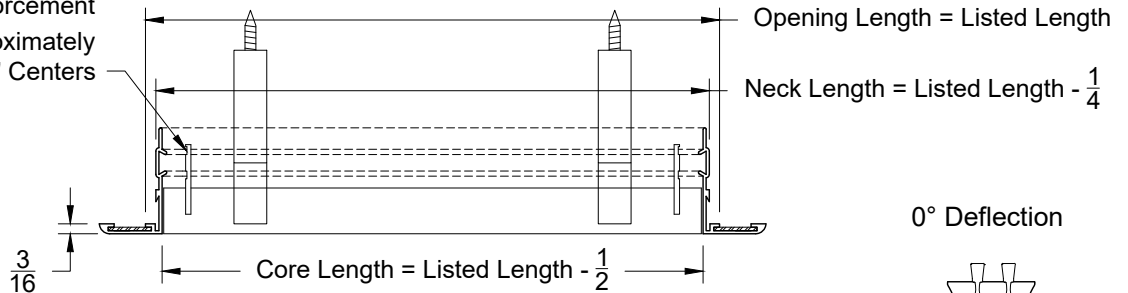
1/8" Bars on 1/4" Center - 0°, 15° and 30° Deflection - Concealed Mounted Hangers

XG-2300H - Concealed Mounted

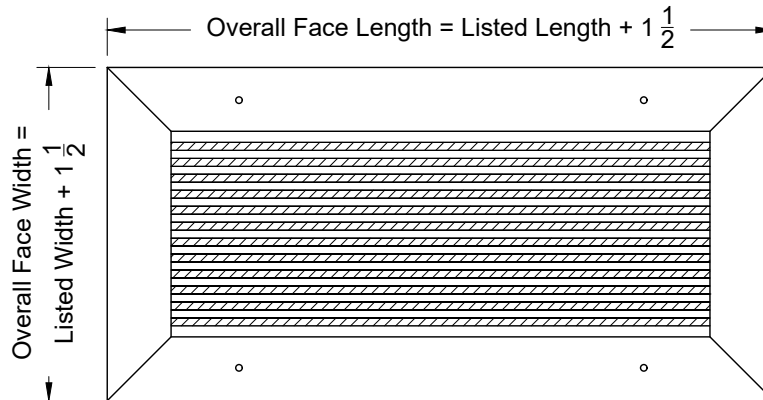


End View

1 ¹/₁₆" x 1 ¹/₈" Reinforcement
Bars on Approximately
9" Centers

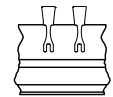


Side View

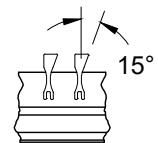


Face View

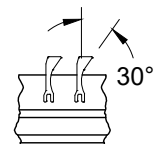
0° Deflection



15° Deflection



30° Deflection



1. Available Finishes

- Standard Finish:
- 01 White
- Optional Finish No Extra Charge
- 24 Mill Finish
- Optional Finish:
- 02 Satin Silver
- 03 Black
- 04 Clear Anodized
- 28 Special/Setup Charge

2. Available Accessories

- XG-L9 - Equalizing Grid
- XG-DA - Aluminum Damper
- Dampers:
- Widths 4" and larger use an Opposed Blade Damper
- Widths 3-1/2" and smaller use a Flapper Style Damper

3. Available Options

- FSM - Face Screw Mount
- AD1 - 1 Access Door
minimum width 14"
- AD2 - 2 Access Doors
minimum width 28"

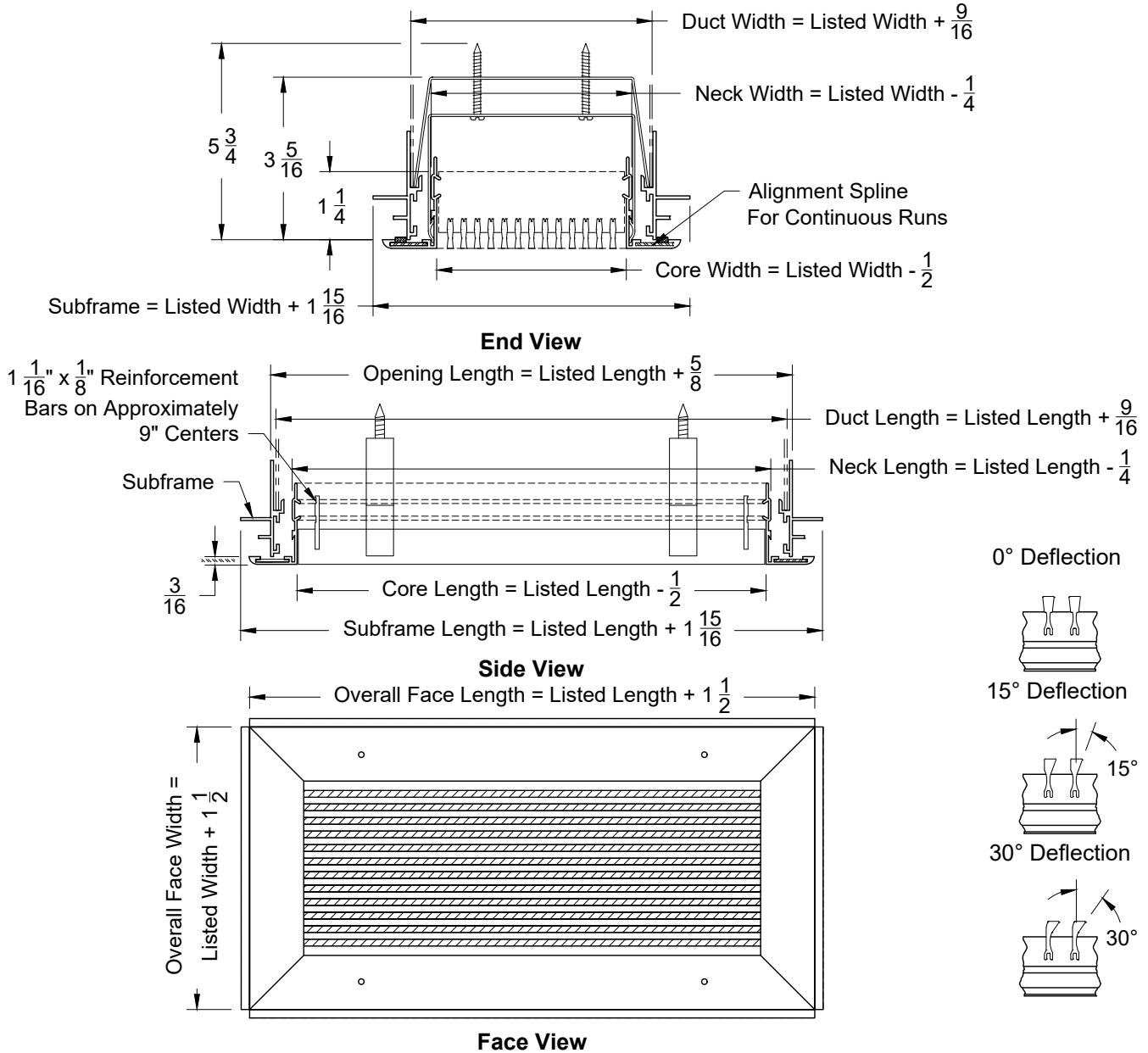
4. Construction Details

- 0, 15, 30 degree deflection available
- Extruded Aluminum construction
- Widths available in 1/2" increments from 1 1/2" to 24"
- Lengths available in single pieces up to 72".
- Longer sections are available only as separate non-connected sections.

All Dimensions ±1/16"

Model: XG-2300HP 1/8" Bars on 1/4" Center - 0°, 15° and 30° Deflection - Concealed Mount

XG-2300HP - Concealed Spline Subframe



1. Available Finishes	2. Available Accessories	3. Available Options	4. Construction Details
Standard Finish: 01 White Optional Finish No Extra Charge 24 Mill Finish Optional Finish: 02 Satin Silver 03 Black 28 Special/Setup Charge	XG-L9 - Equalizing Grid XG-DA - Aluminum Damper Dampers: Widths 4" and larger use an Opposed Blade Damper Widths 3-1/2" and smaller use a Flapper Style Damper	FSM - Face Screw Mount AD1 - 1 Access Door minimum width 14" AD2 - 2 Access Doors minimum width 28"	<ul style="list-style-type: none"> • 0, 15, 30 degree deflection available • Extruded Aluminum construction • Widths available in 1/2" increments from 1 1/2" to 24" • Lengths available in single pieces up to 72". • Longer sections are available only as separate non-connected sections. • Ceiling Opening should be 1/8" larger than Overall Size <p style="text-align: right;">All Dimensions $\pm 1/16$"</p>