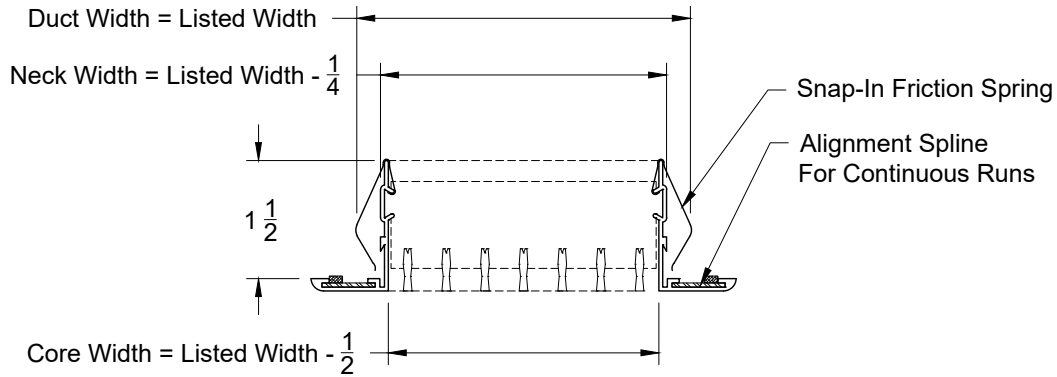


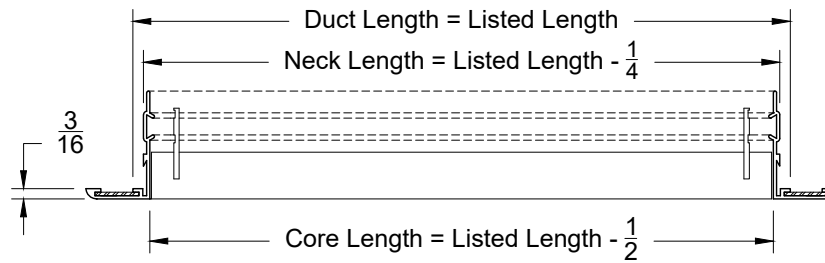
Model: XG-2500

1/8" Bars on 1/2" Center - 0°, 15° and 30° Deflection - Wall Mounted

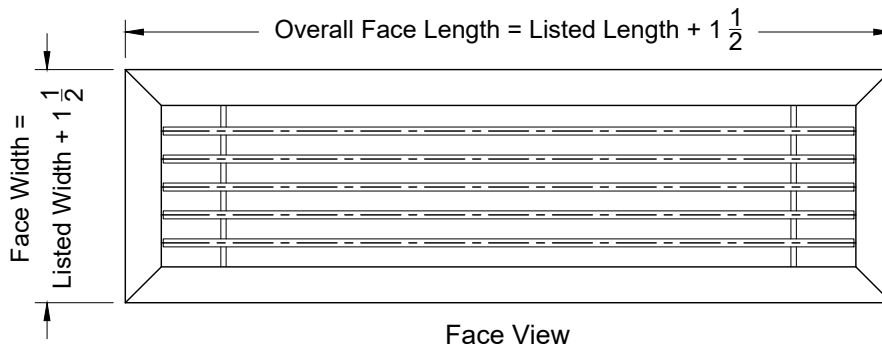
XG-2500 - Wall Mounted



Side View

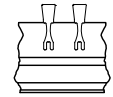


Side View

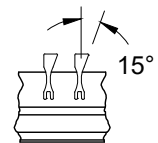


Face View

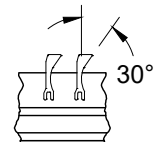
0° Deflection



15° Deflection



30° Deflection



1. Available Finishes

- Standard Finish:
 01 White
 Optional Finish No Extra Charge
 24 Mill Finish
 Optional Finish:
 02 Satin Silver
 03 Black
 04 Clear Anodized
 28 Special/Setup Charge

2. Available Accessories

- L9 - Equalizing Grid
 DA - Aluminum Damper

3. Available Options

- Dampers:
 Widths 4" and larger use an
 Opposed Blade Damper
 Widths 3-1/2" and smaller
 use a Flapper Style Damper

FSM - Face Screw Mount

4. Construction Details

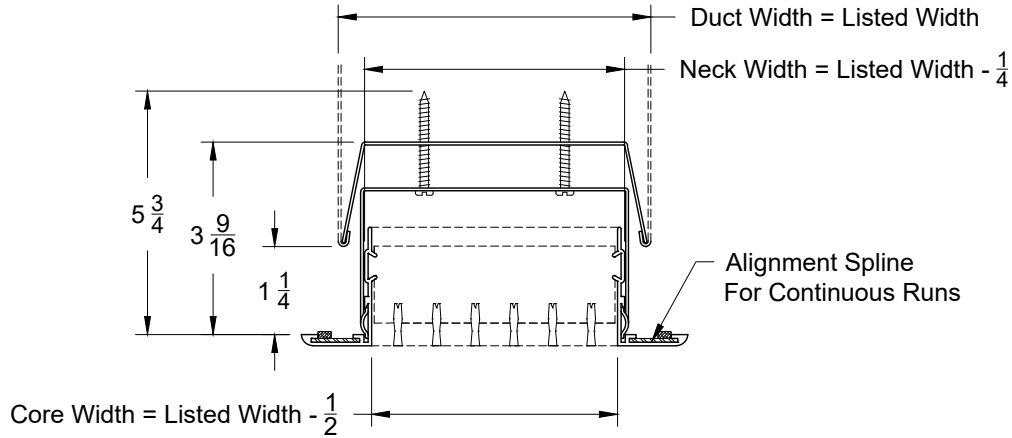
- 0, 15, 30 degree deflection available
- Extruded Aluminum construction
- Widths available in 1/2" increments from 1 1/2" to 24"
- Lengths available in single pieces up to 72".
- Longer sections are available only as separate non-connected sections.

All Dimensions ±1/16"

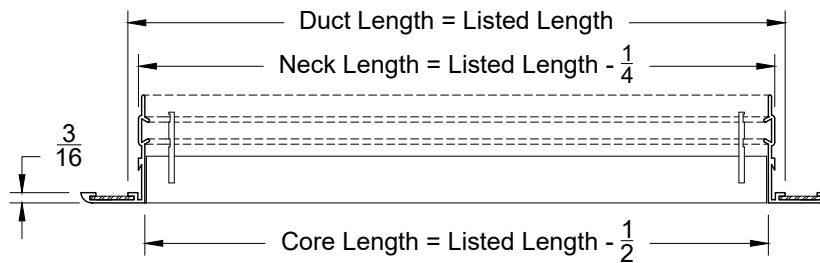
Model: XG-2500H

1/8" Bars on 1/2" Centers - 0°, 15° and 30° Deflection - Concealed Mounted

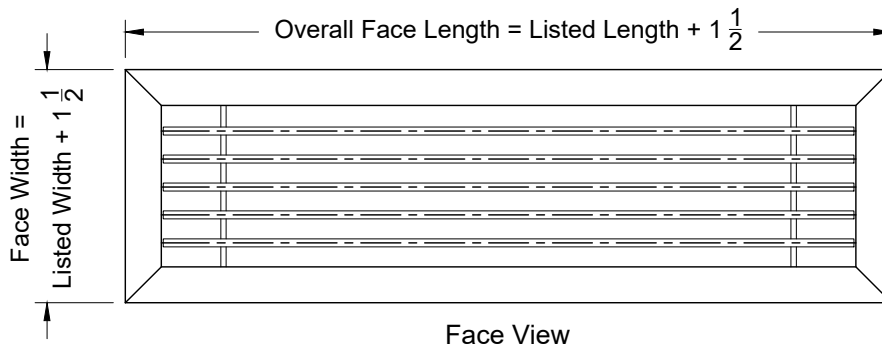
XG-2500H - Concealed Mounted



Side View

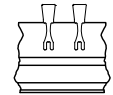


Side View

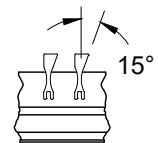


Face View

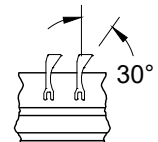
0° Deflection



15° Deflection



30° Deflection



1. Available Finishes

Standard Finish:
01 White
Optional Finish No Extra Charge
24 Mill Finish
Optional Finish:
02 Satin Silver
03 Black
04 Clear Anodized
28 Special/Setup Charge

2. Available Accessories

L9 - Equalizing Grid
DA - Aluminum Damper

3. Available Options

Dampers:
Widths 4" and larger use an
Opposed Blade Damper
Widths 3-1/2" and smaller
use a Flapper Style Damper

FSM - Face Screw Mount

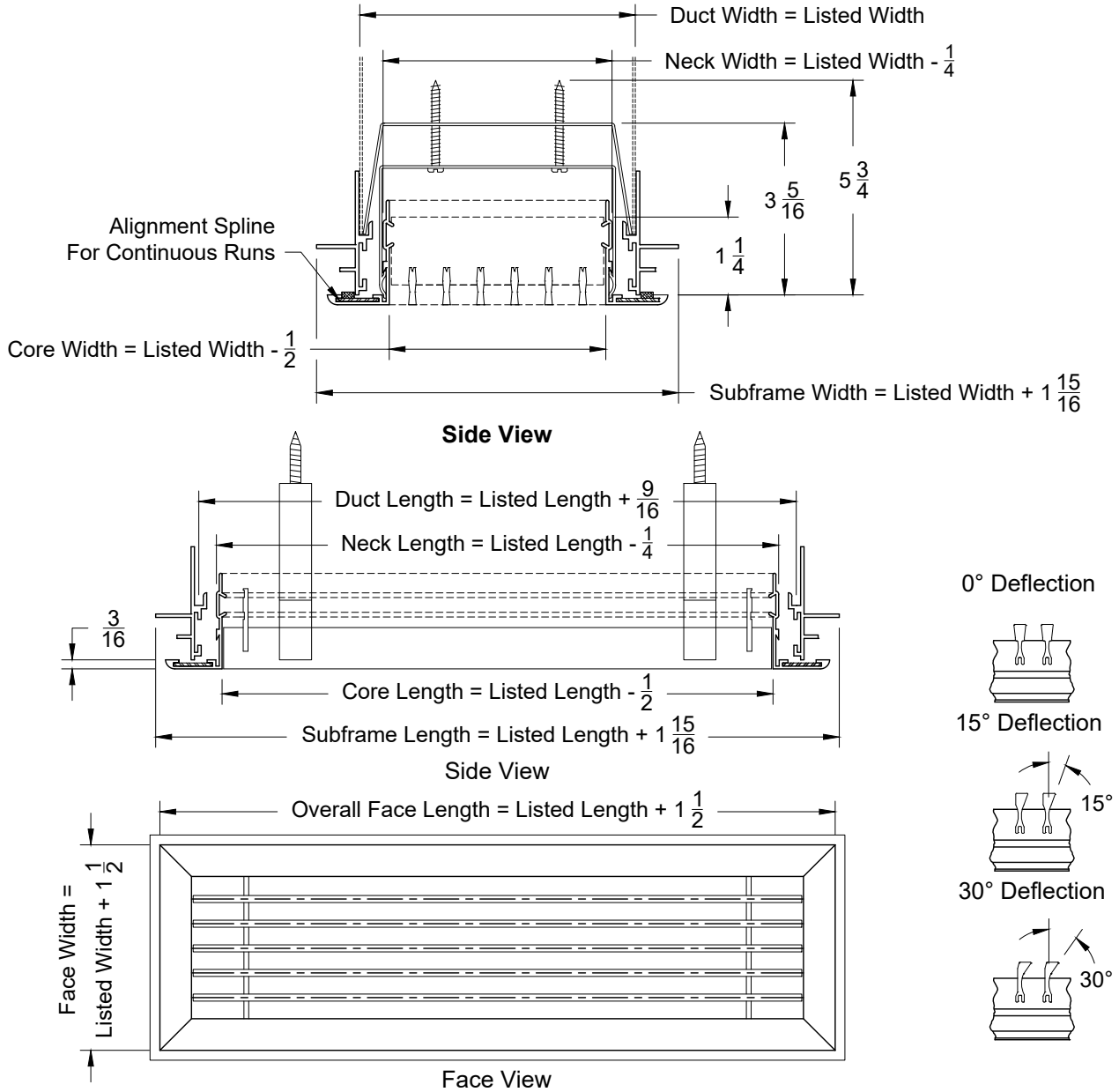
4. Construction Details

- 0, 15, 30 degree deflection available
- Extruded Aluminum construction
- Widths available in 1/2" increments from 1 1/2" to 24"
- Lengths available in single pieces up to 72".
- Longer sections are available only as separate non-connected sections.

All Dimensions $\pm 1/16"$

Model: XG-2500HP 1/8" Bars on 1/2" Center 0°, 15° and 30° Deflection - Concealed Mount

XG-2500HP - Concealed Spline Subframe



1. Available Finishes	2. Available Accessories	3. Available Options	4. Construction Details
Standard Finish: 01 White Optional Finish No Extra Charge 24 Mill Finish Optional Finish: 02 Satin Silver 03 Black 28 Special/Setup Charge	L9 - Equalizing Grid DA - Aluminum Damper	Dampers: Widths 4" and larger use an Opposed Blade Damper Widths 3-1/2" and smaller use a Flapper Style Damper FSM - Face Screw Mount	<ul style="list-style-type: none"> • 0, 15, 30 degree deflection available • Extruded Aluminum construction • Widths available in 1/2" increments from 1 1/2" to 24" • Lengths available in single pieces up to 72". • Longer sections are available only as separate non-connected sections.

All Dimensions $\pm 1/16"$