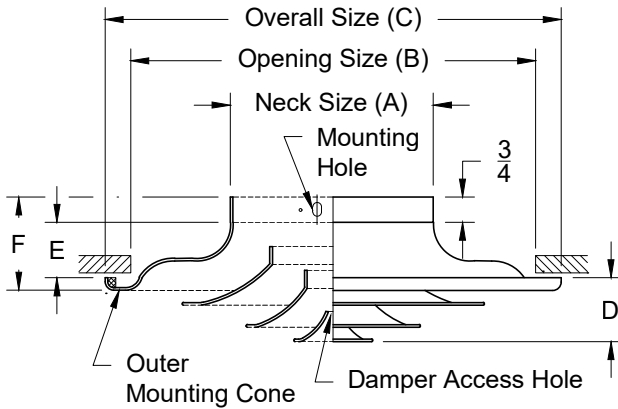


Model: XG-3000-1      3 Cone - Adjustable - Flush Surface Mount  
 XG-3000-2      3 Cone - Adjustable - Bevel Drop Surface Mount

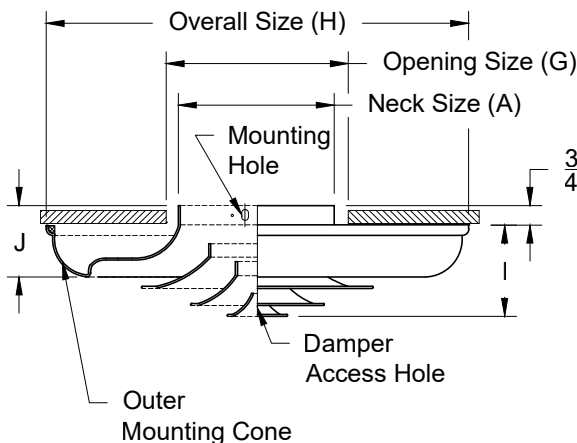
**XG-3000-1 - Flush Surface Mount**



Neck	A	B	C	D	E	F
6	5 7/8	12	13 7/8	2 1/4	1 3/4	3
8	7 7/8	16	18 5/8	2 5/8	2	3 5/8
10	9 7/8	20	22 1/8	3	2 5/8	3 3/4
12	11 7/8	24	27	3 1/2	4 3/8	5
14	13 7/8	28	31 1/4	4 1/4	4 7/16	5 5/8
16	15 7/8	32	36 1/2	4 3/4	4 1/2	6 1/8
18	17 7/8	36	41 3/8	5	4 5/8	6 3/4
20	19 7/8	40	42 1/4	5 3/8	5 1/2	7 1/2
24	23 7/8	40	44 1/4	5 3/8	5 1/2	7 1/2

D = (Full Open) Horizontal Air Pattern

**XG-3000-2 - Bevel Drop Surface Mount**



Neck	A	G	H	I	J
6	5 7/8	7	16 1/4	3 7/8	2 5/8
8	7 7/8	9	21	4 3/4	3 5/8
10	9 7/8	11	26 3/8	5 9/16	4
12	11 7/8	13	31 1/2	6 3/4	4 1/4
14	13 7/8	15	36 7/8	8	5 1/4
16	15 7/8	17	42	8 7/8	6
18	17 7/8	19	47 5/8	9 7/8	6 5/8
20	19 7/8	21	52 3/8	10 3/4	7 1/4
24	23 7/8	25	52 3/8	10 3/4	7 1/4

I = (Full Open) Horizontal Air Pattern

1. Available Finishes	2. Available Accessories	3. Available Options	4. Construction Details
Standard Finish: 01 White Finish 24 Mill Finish Optional Finish 02 Satin Silver 03 Black 28 Custom Color	XG-D3 - Aluminum Radial Opposed Blade Damper XG-SD3 - Steel Radial Opposed Blade Damper XG-G3 - Equalizing Grid XG-GD3 - Combination Grid / Damper XG-BDS - Butterfly Damper XG-RSD - Radial Shutter Damper	Safety Chain	<ul style="list-style-type: none"> <li>Available Sizes Only as Listed</li> </ul>
All Dimensions ±1/16"			