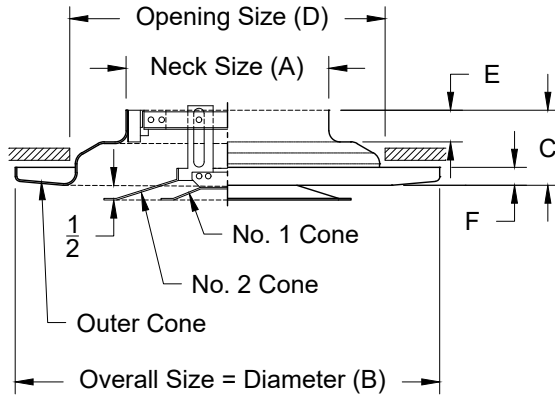


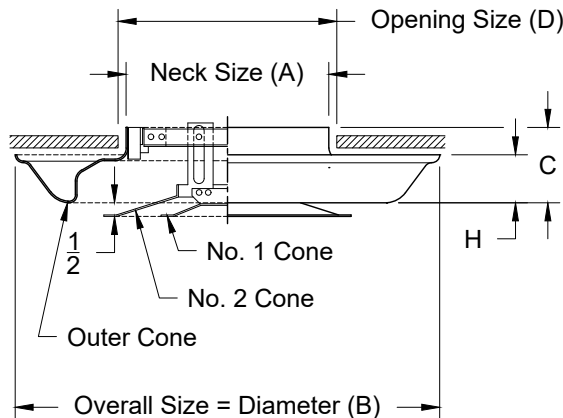
Model: XG-3100-1      2 Cone - Round Neck - Flush Surface Mount  
 XG-3100-2      2 Cone - Round Neck - Bevel Drop Surface Mount

**XG-3100-1 - Flush Surface Mount**



Size	A	B	C	D	E	F
6	5 3/4	12 1/8	2 3/4	10	1	5/8
8	7 3/4	16 1/8	2 3/4	12	1	5/8
10	9 3/4	21 7/8	3 1/8	17	1	3/4
12	11 3/4	21 7/8	3 1/8	17	1	3/4
14	13 3/4	28 3/4	3 7/8	23	1	3/4
16	15 3/4	28 3/4	3 7/8	23	1	3/4
18	17 3/4	34 3/8	5	28	1	3/4
20	19 3/4	34 3/8	5	28	1	3/4
24	23 3/4	40 3/8	5 1/2	34	1	3/4
30	29 3/4	49 3/8	7 3/8	41	2	1
36	35 3/4	58 3/8	8 3/8	50	2	1

**XG-3100-2 - Bevel Drop Surface Mount**

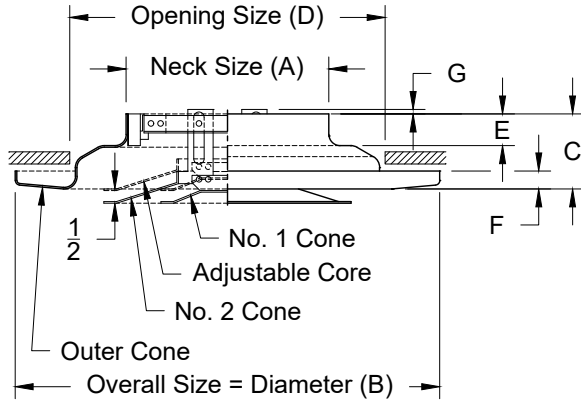


Size	A	B	C	D	H
6	5 3/4	10 1/8	2 3/4	7	1 7/8
8	7 3/4	16 1/8	2 3/4	9	1 7/8
10	9 3/4	21 7/8	3 1/8	11	2 1/4
12	11 3/4	21 7/8	3 1/8	13	2 1/4
14	13 3/4	28 3/4	3 7/8	15	3 3/4
16	15 3/4	28 3/4	3 7/8	17	3 3/4
18	17 3/4	34 3/8	5	19	4
20	19 3/4	34 3/8	5	21	4
24	23 3/4	40 3/8	5 1/2	25	4 1/4
30	29 3/4	49 3/8	7 3/8	31	5 1/8
36	35 3/4	58 3/8	8 3/8	37	6 1/8

1. Available Finishes	2. Available Accessories	3. Available Options	4. Construction Details
Standard Finish: 01 White Finish 24 Mill Finish Optional Finish 02 Satin Silver 03 Black 28 Custom Color	XG-D3 - Aluminum Radial Opposed Blade Damper XG-SD3 - Steel Radial Opposed Blade Damper XG-G3 - Equalizing Grid XG-GD3 - Combination Grid / Damper XG-BDS - Butterfly Damper XG-RSD - Radial Shutter Damper	Safety Chain	<ul style="list-style-type: none"> <li>Model 3100: Available Sizes as Listed</li> <li>Model 3100A: 36"Ø Max size</li> </ul> <p style="text-align: right;">All Dimensions ±1/16"</p>

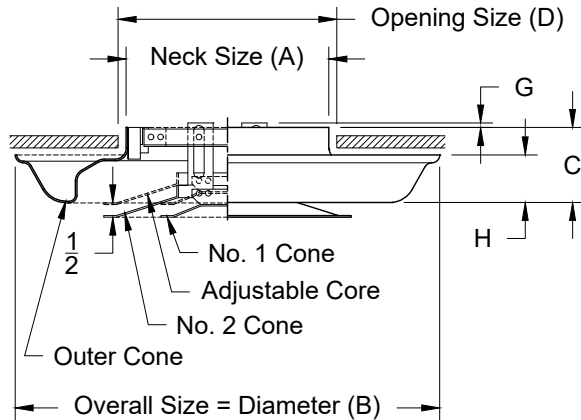
Model: XG-3100A-1      2 Cone - Round Neck - Adjustable - Flush Surface Mount  
 XG-3100A-2      2 Cone - Round Neck - Adjustable - Bevel Drop Surface Mount

### XG-3100A-1 - Adjustable - Flush Surface Mount



Size	A	B	C	D	E	F	G
6	5 3/4	12 1/8	2 3/4	10	1	5/8	3/4
8	7 3/4	16 1/8	2 3/4	12	1	5/8	3/4
10	9 3/4	21 7/8	3 1/8	17	1	3/4	3/4
12	11 3/4	21 7/8	3 1/8	17	1	3/4	3/4
14	13 3/4	28 3/4	3 7/8	23	1	3/4	3/4
16	15 3/4	28 3/4	3 7/8	23	1	3/4	1 9/16
18	17 3/4	34 3/8	5	28	1	3/4	1 9/16
20	19 3/4	34 3/8	5	28	1	3/4	1 9/16
24	23 3/4	40 3/8	5 1/2	34	1	3/4	1 9/16
30	29 3/4	49 3/8	7 3/8	41	2	1	-
36	35 3/4	58 3/8	8 3/8	50	2	1	-

### XG-3100A-2 - Adjustable - Bevel Drop Surface Mount



Size	A	B	C	D	G	H
6	5 3/4	10 1/8	2 3/4	7	3/4	1 7/8
8	7 3/4	16 1/8	2 3/4	9	3/4	1 7/8
10	9 3/4	21 7/8	3 1/8	11	3/4	2 1/4
12	11 3/4	21 7/8	3 1/8	13	3/4	2 1/4
14	13 3/4	28 3/4	3 7/8	15	3/4	3 3/4
16	15 3/4	28 3/4	3 7/8	17	1 9/16	3 3/4
18	17 3/4	34 3/8	5	19	1 9/16	4
20	19 3/4	34 3/8	5	21	1 9/16	4
24	23 3/4	40 3/8	5 1/2	25	1 9/16	4 1/4
30	29 3/4	49 3/8	7 3/8	31	-	5 1/8
36	35 3/4	58 3/8	8 3/8	37	-	6 1/8

1. Available Finishes	2. Available Accessories	3. Available Options	4. Construction Details
Standard Finish: 01 White Finish 24 Mill Finish Optional Finish 02 Satin Silver 03 Black 28 Custom Color	XG-D3 - Aluminum Radial Opposed Blade Damper XG-SD3 - Steel Radial Opposed Blade Damper XG-G3 - Equalizing Grid XG-GD3 - Combination Grid / Damper XG-BDS - Butterfly Damper XG-RSD - Radial Shutter Damper	Safety Chain	<ul style="list-style-type: none"> <li>Model 3100: Available Sizes as Listed</li> <li>Model 3100A: 36" Max size</li> <li>Unit can be easily adjusted from horizontal to vertical airflow</li> </ul>

All Dimensions ±1/16"