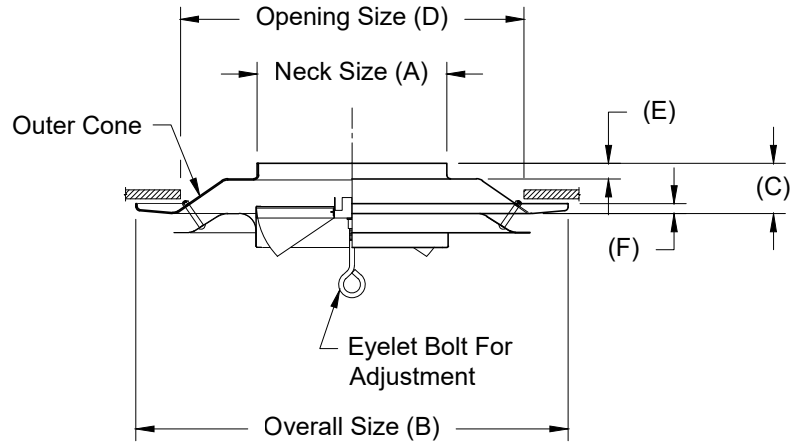


Model: XG-3200-1 Round Neck - Industrial - Adjustable Vertical Air Flow

XG-3200-1 - Flush Surface Mount



Size	A	B	C	D	E	F
6	5 3/4	17 1/4	2 1/8	6 3/4	1 1/8	1 1/8
8	7 3/4	17 1/4	2 1/8	8 3/4	1 1/8	1 1/4
10	9 3/4	20 1/4	2 5/8	10 3/4	1 1/4	1 3/4
12	11 3/4	22 1/4	2 5/8	12 3/4	1 1/4	1 3/4
14	13 3/4	29 1/2	2 5/8	14 3/4	1 1/4	2 3/8
16	15 3/4	29 1/2	2 3/4	16 3/4	1 1/4	2.375
18	17 3/4	33 1/2	3 5/8	18 3/4	1 1/4	2 1/2
20	16 3/4	36 3/4	3 5/8	20 3/4	1	2 1/2
24	23 3/4	40 3/4	3 5/8	24 3/4	1	2 1/2
30	29 3/4	48 3/4	3 5/8	30 3/4	1	2 1/2

1. Available Finishes	2. Available Accessories	3. Available Options	4. Construction Details
Standard Finish: 01 White Optional Finish 02 Satin Silver 03 Black 28 Custom Color	XG-G3 - Equalizing Grid		<ul style="list-style-type: none"> Available Sizes Only as Listed Units shipped with factory installed safety chain

All Dimensions ±1/16"