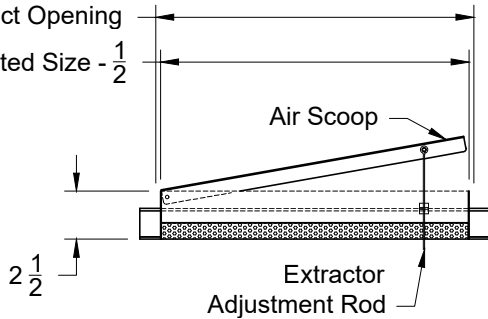


Model: XG-4000PCFPFS-1 Perforated Face - Curved Flange - Flush Surface Mount - Supply

### XG-4000PCFPFS-1 - Flush Surface Mount

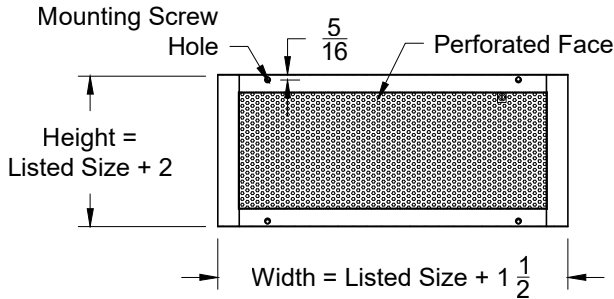
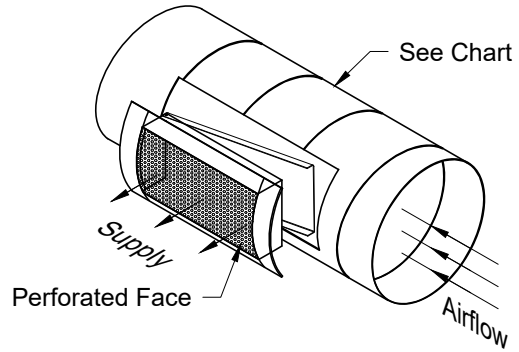
Listed Size = Duct Opening

Neck Size = Listed Size -  $\frac{1}{2}$

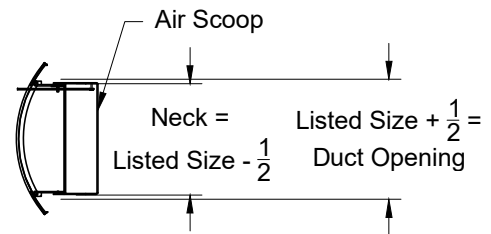


Top View

### Isometric View



Face View



End View

Height	Width												
	10"	12"	14"	16"	18"	20"	24"	30"	36"	40"	42"	46"	48"
<b>Minimum / Maximum Duct Diameter</b>													
3"	6/20	6/20	6/20	6/20	6/20	6/20	6/20	6/20	6/20	6/20	6/20	6/20	6/20
4"	8/26	8/26	8/26	8/26	8/26	8/26	8/26	8/26	8/26	8/26	8/26	8/26	8/26
6"	8/30	8/30	8/30	8/30	8/30	8/30	8/30	8/30	8/30	8/30	8/30	8/30	8/30
8"	10/30	10/30	10/30	10/30	10/30	10/30	10/30	10/30	10/30	10/30	10/30	10/30	10/30
10"	14/30	14/30	14/30	14/30	14/30	14/30	14/30	14/30	14/30	14/30	14/30	14/30	14/30
12"	16/30	16/30	16/30	16/30	16/30	16/30	16/30	16/30	16/30	16/30	16/30	16/30	16/30

#### 1. Available Finishes

Standard Finish:  
01 White  
Finish  
24 Mill Finish  
Optional Finish  
02 Satin Silver  
03 Black  
04 Clear Anodized

#### 2. Available Accessories

#### 3. Available Options

AS - Air Scoop  
NAS - No Air Scoop

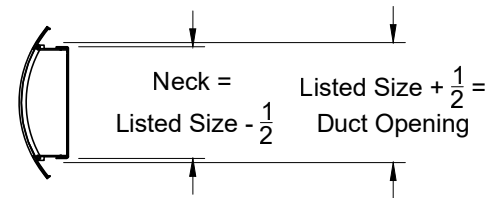
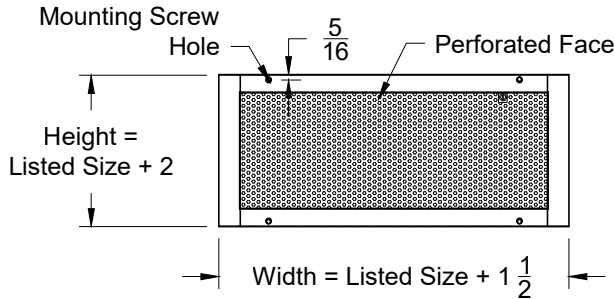
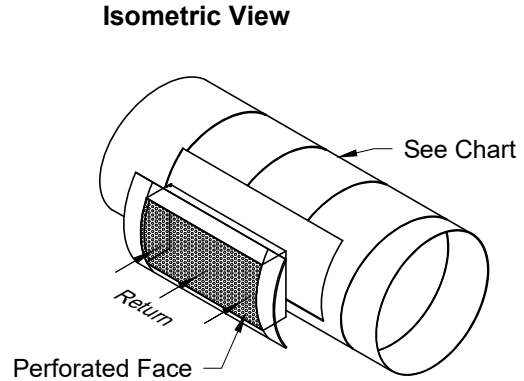
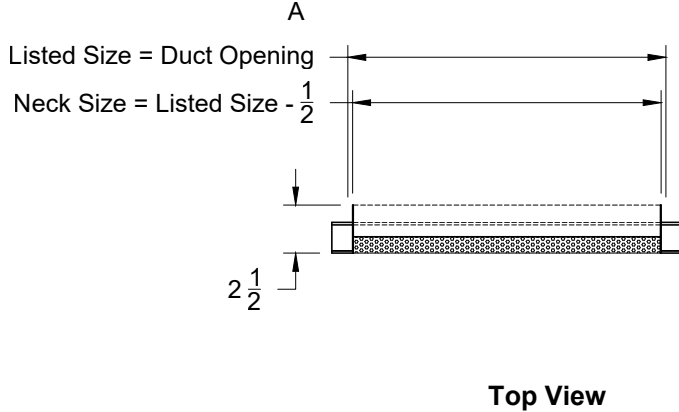
#### 4. Construction Details

- Air Scoop includes wire handle for operation
- Units are surface mount, provided with screw template to mount into duct
- Ends are supplies with foam gasket to seal around duct
- Available in Listed Sizes Only

All Dimensions  $\pm 1/16$ "

Model: XG-4000PCFPFR-1 Perforated Face - Curved Flange - Flush Surface Mount - Return

### XG-4000CFPFR-1 - Flush Surface Mount



Height	Width												
	10"	12"	14"	16"	18"	20"	24"	30"	36"	40"	42"	46"	48"
	Minimum / Maximum Duct Diameter												
3"	6/20	6/20	6/20	6/20	6/20	6/20	6/20	6/20	6/20	6/20	6/20	6/20	6/20
4"	8/26	8/26	8/26	8/26	8/26	8/26	8/26	8/26	8/26	8/26	8/26	8/26	8/26
6"	8/30	8/30	8/30	8/30	8/30	8/30	8/30	8/30	8/30	8/30	8/30	8/30	8/30
8"	10/30	10/30	10/30	10/30	10/30	10/30	10/30	10/30	10/30	10/30	10/30	10/30	10/30
10"	14/30	14/30	14/30	14/30	14/30	14/30	14/30	14/30	14/30	14/30	14/30	14/30	14/30
12"	16/30	16/30	16/30	16/30	16/30	16/30	16/30	16/30	16/30	16/30	16/30	16/30	16/30

#### 1. Available Finishes

Standard Finish:  
01 White  
Finish  
24 Mill Finish  
Optional Finish  
02 Satin Silver  
03 Black  
04 Clear Anodized

#### 2. Available Accessories

#### 3. Available Options

#### 4. Construction Details

- Units are surface mount, provided with screw template to mount into duct
- Ends are supplied with foam gasket to seal around duct
- Available in Listed Sizes Only

All Dimensions  $\pm 1/16"$