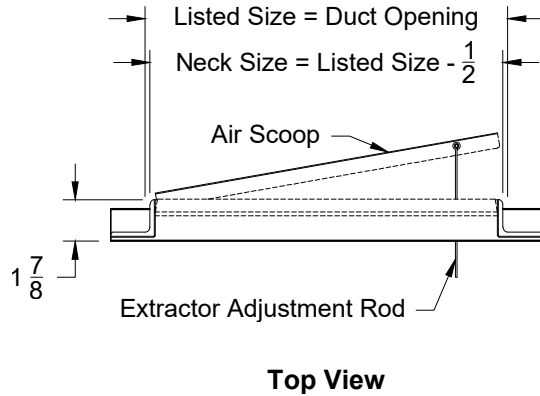
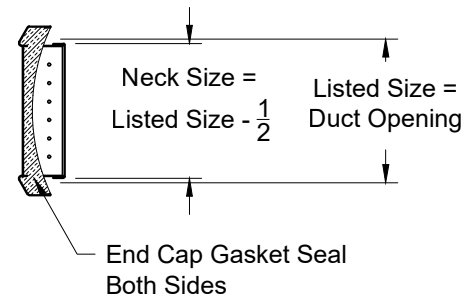
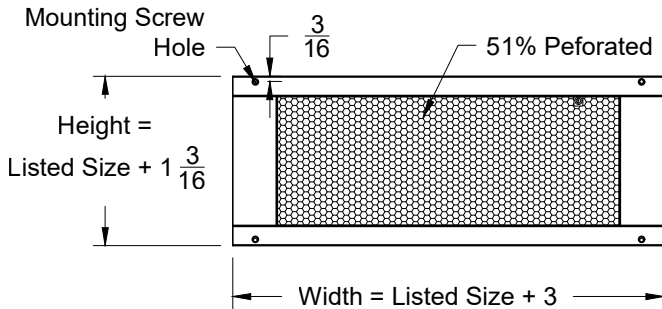
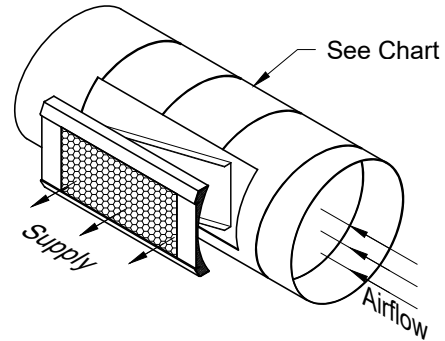


Model: XG-4000PFS-1 Perforated Face - Universal Frame - Flush Surface Mount - Supply

XG-4000PFS-1 - Flush Surface Mount



Isometric View



Top View

Face View

End View

Height	Width														
	10"	12"	14"	16"	18"	20"	24"	30"	36"	38"	40"	42"	44"	46"	48"
	Minimum / Maximum Duct Diameter														
3"	6/24	6/24	6/24	6/24	6/24	6/24	6/24	6/24	6/24	6/24	6/24	6/24	6/24	6/24	6/24
4"	8/24	8/24	8/24	8/24	8/24	8/24	8/24	8/24	8/24	8/24	8/24	8/24	8/24	8/24	8/24
6"	12/24	12/24	12/24	12/24	12/24	12/24	12/24	12/24	12/24	12/24	12/24	12/24	12/24	12/24	12/24
8"	N/A	N/A	20/36	20/36	20/36	20/36	20/36	20/36	20/36	20/36	20/36	20/36	20/36	20/36	20/36
10"	N/A	N/A	N/A	N/A	30/48	30/48	30/48	30/48	30/48	30/48	30/48	30/48	30/48	30/48	30/48
12"	N/A	N/A	N/A	N/A	42/48	42/48	42/48	42/48	42/48	42/48	42/48	42/48	42/48	42/48	42/48

1. Available Finishes

Standard Finish:
01 White
Finish
24 Mill Finish
Optional Finish
02 Satin Silver
03 Black
28 Custom Color

2. Available Accessories

3. Available Options

NSH - No Screw Holes
AS - Air Scoop
NAS - No Air Scoop

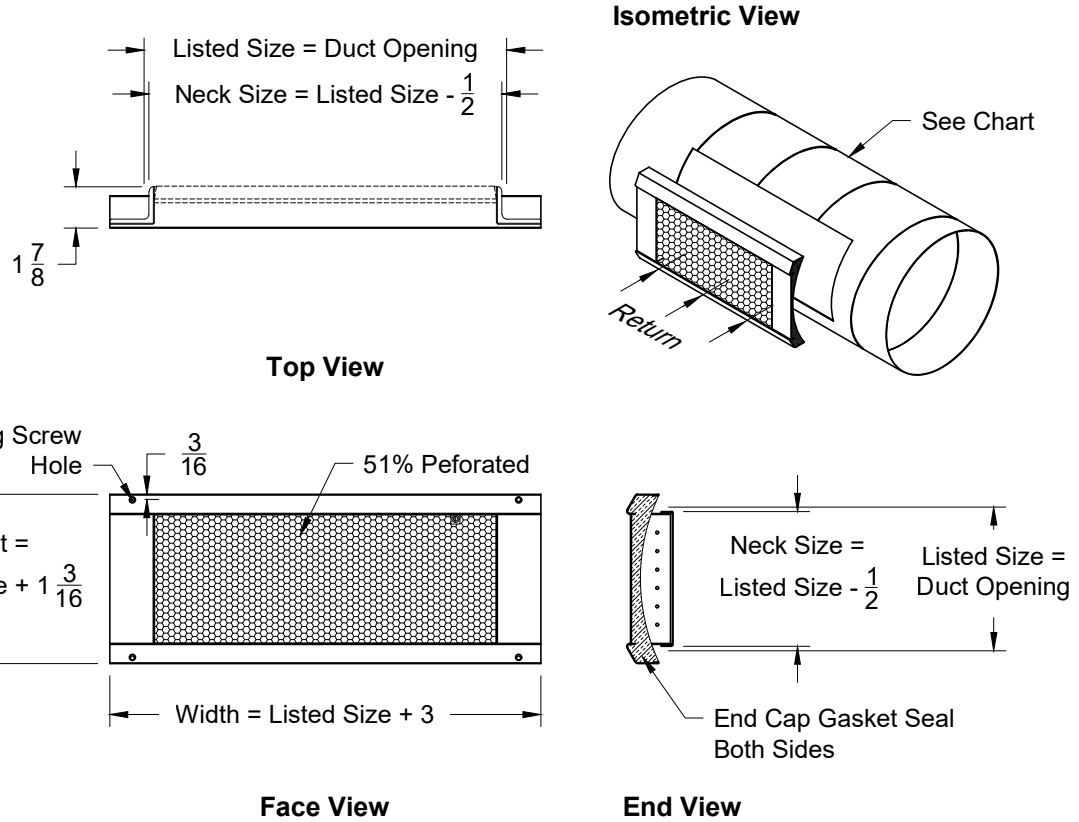
4. Construction Details

- Air Scoop includes wire handle for operation
- Ends are supplied with foam gasket to seal around duct
- Units are surface mount, provided with screw template to mount into duct
- Available in Listed Sizes Only

All Dimensions ±1/16"

Model: XG-4000PFR-1 Perforated Face - Universal Frame - Flush Surface Mount - Return

XG-4000PFR-1 - Flush Surface Mount

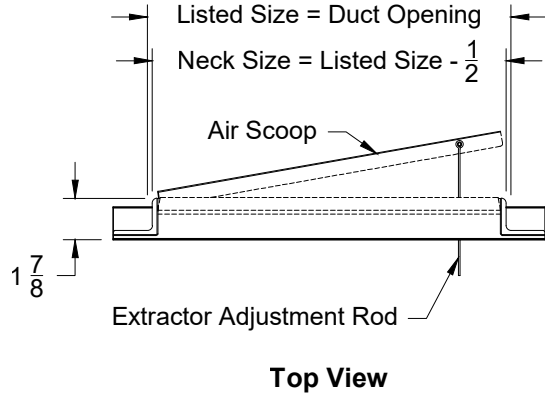


Height	Width														
	10"	12"	14"	16"	18"	20"	24"	30"	36"	38"	40"	42"	44"	46"	48"
	Minimum / Maximum Duct Diameter														
3"	6/24	6/24	6/24	6/24	6/24	6/24	6/24	6/24	6/24	6/24	6/24	6/24	6/24	6/24	6/24
4"	8/24	8/24	8/24	8/24	8/24	8/24	8/24	8/24	8/24	8/24	8/24	8/24	8/24	8/24	8/24
6"	12/24	12/24	12/24	12/24	12/24	12/24	12/24	12/24	12/24	12/24	12/24	12/24	12/24	12/24	12/24
8"	N/A	N/A	20/36	20/36	20/36	20/36	20/36	20/36	20/36	20/36	20/36	20/36	20/36	20/36	20/36
10"	N/A	N/A	N/A	N/A	30/48	30/48	30/48	30/48	30/48	30/48	30/48	30/48	30/48	30/48	30/48
12"	N/A	N/A	N/A	N/A	42/48	42/48	42/48	42/48	42/48	42/48	42/48	42/48	42/48	42/48	42/48

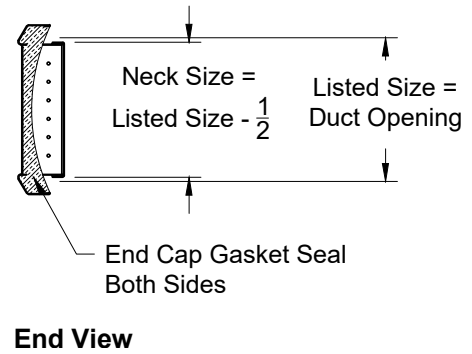
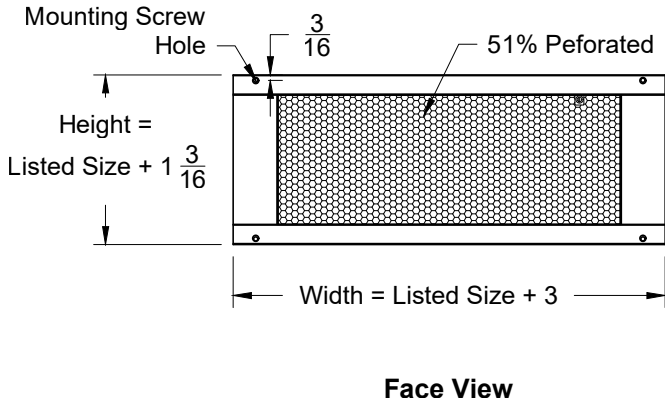
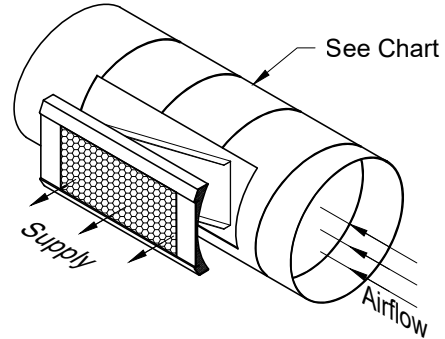
1. Available Finishes	2. Available Accessories	3. Available Options	4. Construction Details
Standard Finish: 01 White Finish 24 Mill Finish Optional Finish 02 Satin Silver 03 Black 28 Custom Color		NSH - No Screw Holes	<ul style="list-style-type: none"> Ends are supplied with foam gasket to seal around duct Units are surface mount, provided with screw template to mount into duct Available in Listed Sizes Only
All Dimensions $\pm 1/16$ "			

Model: XG-4000SPFS-1 Perforated Face - Universal Frame - Flush Surface Mount - Supply

XG-4000SPFS-1 - Flush Surface Mount



Isometric View



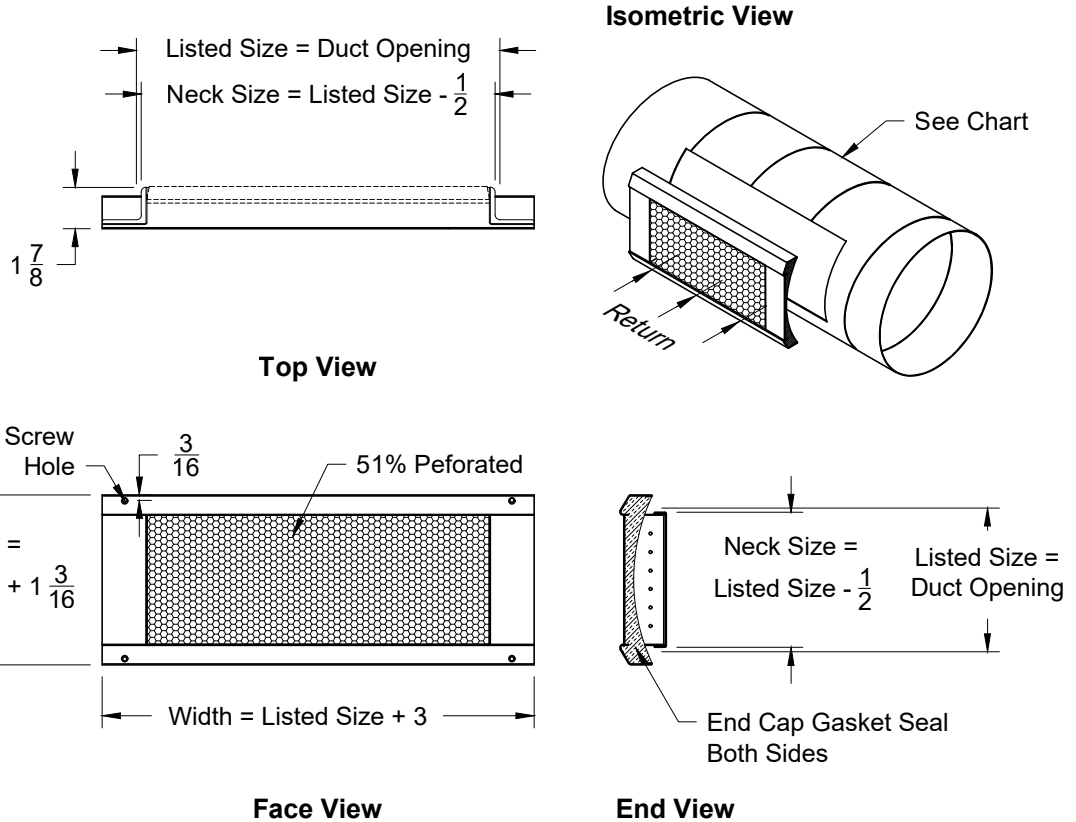
Height	Width															
	10"	12"	14"	16"	18"	20"	24"	30"	36"	38"	40"	42"	44"	46"	48"	
	Minimum / Maximum Duct Diameter															
3"	6/24	6/24	6/24	6/24	6/24	6/24	6/24	6/24	6/24	6/24	6/24	6/24	6/24	6/24	6/24	6/24
4"	8/24	8/24	8/24	8/24	8/24	8/24	8/24	8/24	8/24	8/24	8/24	8/24	8/24	8/24	8/24	8/24
6"	12/24	12/24	12/24	12/24	12/24	12/24	12/24	12/24	12/24	12/24	12/24	12/24	12/24	12/24	12/24	12/24
8"	N/A	N/A	20/36	20/36	20/36	20/36	20/36	20/36	20/36	20/36	20/36	20/36	20/36	20/36	20/36	20/36
10"	N/A	N/A	N/A	N/A	30/48	30/48	30/48	30/48	30/48	30/48	30/48	30/48	30/48	30/48	30/48	30/48
12"	N/A	N/A	N/A	N/A	42/48	42/48	42/48	42/48	42/48	42/48	42/48	42/48	42/48	42/48	42/48	42/48

1. Available Finishes	2. Available Accessories	3. Available Options	4. Construction Details
Standard Finish: 01 White Finish 24 Mill Finish Optional Finish 02 Satin Silver 03 Black 28 Custom Color		NSH - No Screw Holes AS - Air Scoop NAS - No Air Scoop	<ul style="list-style-type: none"> Air Scoop includes wire handle for operation Ends are supplied with foam gasket to seal around duct Units are surface mount, provided with screw template to mount into duct Available in Listed Sizes Only

All Dimensions ±1/16"

Model: XG-4000SPFR-1 Perforated Face - Universal Frame - Flush Surface Mount - Return

XG-4000SPFR-1 - Flush Surface Mount



Height	Width															
	10"	12"	14"	16"	18"	20"	24"	30"	36"	38"	40"	42"	44"	46"	48"	
	Minimum / Maximum Duct Diameter															
3"	6/24	6/24	6/24	6/24	6/24	6/24	6/24	6/24	6/24	6/24	6/24	6/24	6/24	6/24	6/24	6/24
4"	8/24	8/24	8/24	8/24	8/24	8/24	8/24	8/24	8/24	8/24	8/24	8/24	8/24	8/24	8/24	8/24
6"	12/24	12/24	12/24	12/24	12/24	12/24	12/24	12/24	12/24	12/24	12/24	12/24	12/24	12/24	12/24	12/24
8"	N/A	N/A	20/36	20/36	20/36	20/36	20/36	20/36	20/36	20/36	20/36	20/36	20/36	20/36	20/36	20/36
10"	N/A	N/A	N/A	N/A	30/48	30/48	30/48	30/48	30/48	30/48	30/48	30/48	30/48	30/48	30/48	30/48
12"	N/A	N/A	N/A	N/A	42/48	42/48	42/48	42/48	42/48	42/48	42/48	42/48	42/48	42/48	42/48	42/48

1. Available Finishes	2. Available Accessories	3. Available Options	4. Construction Details
Standard Finish: 01 White Finish 24 Mill Finish Optional Finish 02 Satin Silver 03 Black 28 Custom Color		NSH - No Screw Holes	<ul style="list-style-type: none"> Ends are supplied with foam gasket to seal around duct Units are surface mount, provided with screw template to mount into duct Available in Listed Sizes Only

All Dimensions $\pm 1/16"$